

Delivery Premium Quality Fans Globally for Healthier Breathing

World's Largest Selection of Fan Products
World's Most Comprehensive Fan Solutions



Ningbo Longwell Electric Technology Co., Ltd

Headquarter: NO.100, South of Xuxiang River, Yuyao, Zhejiang Province, China 315400

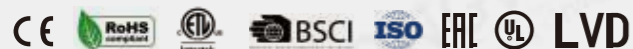
Tell: +86 574 6218 9863

Fax: +86 574 6218 9863

Phone: 0086 183 5827 4663

Web: www.longwellfans.com | www.longwell-group.com | www.longwell-media.com

Email: sales@zjlongwell.com



**Professional HVAC Fan
& Motors Manufacturer**

Diagonal Flow Pipe Booster Fan

Ningbo Longwell Electric Technology Co., Ltd



CATALOGUE

01-02

About Longwell

03-04

Testing and Standards

05-06

Mainly Application

07

Type Code

08-14

Diagonal Flow Pipe Booster Fan



About Longwell

Born for High-Quality Breathing, LONGWELL Fans Power Your Equipment

OEM for Well-Known Brands

Supplies Fortune 500 Companies

Global Technical Support

LONGWELL is a leading fan manufacturer, specializing in high-quality fans, blowers, motors, and components for heating, ventilation, air conditioning, and refrigeration applications. We have a strong presence in delivery capabilities, design and R&D capabilities, as well as manufacturing, placing us at the forefront of the industry.

Our product range includes EC/DC/AC centrifugal fans, axial fans, AC/BLDC cross-flow fans, single/double forward curved fans, AC/BLDC/ECM motors, and industrial fan blowers. Since our establishment in 1990, we have continuously upgraded our facilities and production capacity, boasting advanced testing labs and production facilities with an annual capacity of millions of fans. With over 20 years of experience, we are highly skilled in the design, development, and manufacture of fans and motors. We export to over 30 countries and serve numerous Fortune 500 clients.

Our facilities and products are compliant with certifications such as ISO9001, ISO14001, BSCI, CE, UL/ETL, CCC, EMC, and LVD. These certifications demonstrate our compliance in quality management, environmental management, social responsibility, and product safety. We are quality-oriented and dedicated to providing products and services that meet international standards.

Equipped with advanced testing labs and production facilities, including a B&K noise lab, CFD simulation lab, air dynamics test chambers, automatic welding machines, CNC machining centers, and auto robot injection machines, we ensure efficient production and on-time delivery.

As industry leaders, we prioritize technological innovation and efficiency. We employ advanced technologies such as aerodynamics principles and CFD simulation to ensure precise and efficient fan designs. Additionally, we offer customized services to design and manufacture fan systems according to specific customer requirements. Our focus is on providing high-tech, high-efficiency products that meet our customers' needs and contribute to a better future.

At LONGWELL, innovation is at the core of our operations, driving continuous improvement. With our extensive experience and expertise, we can quickly customize solutions that meet customer needs. We emphasize technological sophistication, utilizing advanced technologies and high-performance materials to deliver products that are efficient, safe, and reliable. Our brand is widely recognized globally, and we are committed to promoting sustainable development and advancing the efficient fan industry.

LONGWELL looks forward to collaborating with you and providing high-quality customized fan and motor solutions. Please feel free to contact us as we work together to create a brighter future.



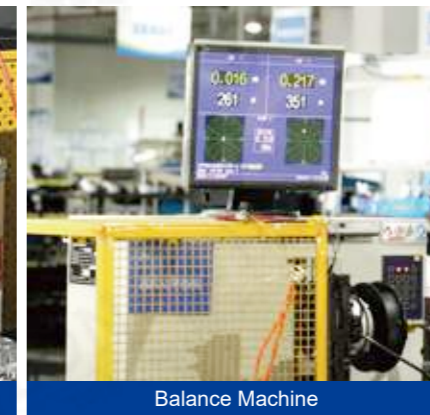
B&K Noise Testing Lab



Production Line



Automatic Welding



Balance Machine



Automatic Welding Machine



Production Line - Centrifugal Fan



Automatic CNC machine



Air Dynamic Test Lab



Production Line - Axial Fans



Production Line

193

Staff

40000m²

Floor Space

500⁺

Branding Clients

1Million⁺PCS

Annual Outputs

6

Overseas offices on spot support

50⁺

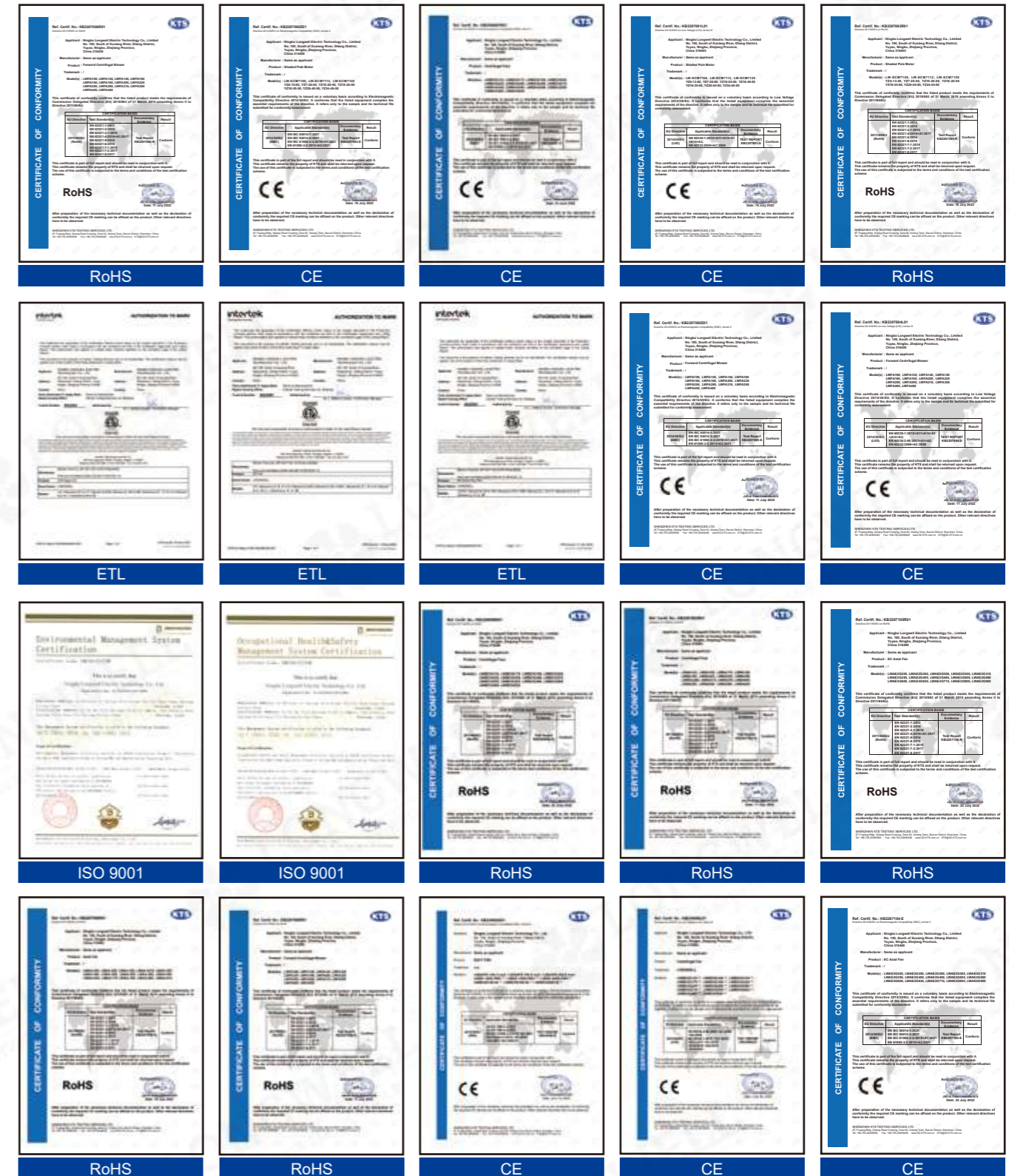
Members R&D Team

Testing and Standards

- ISO GB/T 19001-2016 idt ISO 9001:2015/GB/T 24001-2016 idt ISO 14001:2015/GB/T 45001-2020 idt ISO 45001:2018
- UL 507:2017 Ed.10+R:27/CSA C22.2#113:2018 Ed.11
- BSCI ANSI C63.4:2014/ANSI C63.4a-2017
- EN IEC 55014-1:2021/EN IEC 55014-2:2021/EN IEC 61000-3-2:2019 +A1:2021
EN 61000-3-3:2013 +A1:2019 +A2:2021 +AC:2022-01
EN 60335-2-80:2003 +A1:2004 +A2:2009;
EN 60335-1:2012 +A11:2014 +A13:2017 +A1:2019+A14:2019 +A2:2019+A15:2021
EN 62321-1:2013/EN 62321-2:2014/EN 62321-3-1:2014
EN 62321-4:2014+A1:2017/EN 62321-5:2014/EN 62321-6:2015
EN 62321-7-1:2015/EN 62321-7-2:2017/EN 62321-8:2017



Enterprise Credit Evaluation Certificate - Highest Level in China



Mainly Application

Building ventilation system/Primary air system/
Bathroom ventilation/Kitchen ventilation/Air conditioning vent



Grow Tent



Bathroom Ventilation



Primary Air System

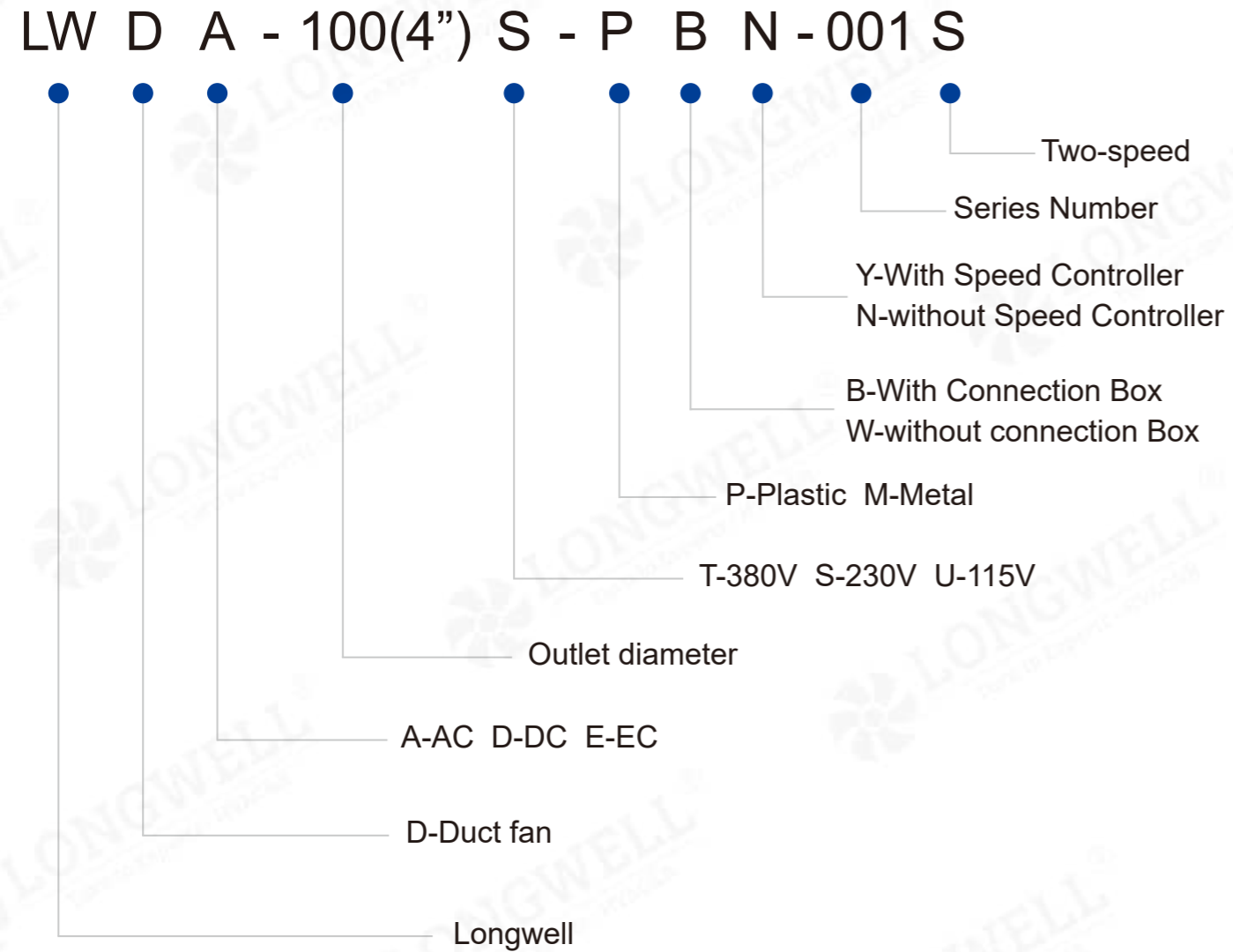


Kitchen Ventilation



Air Conditioning Vent

Type Code

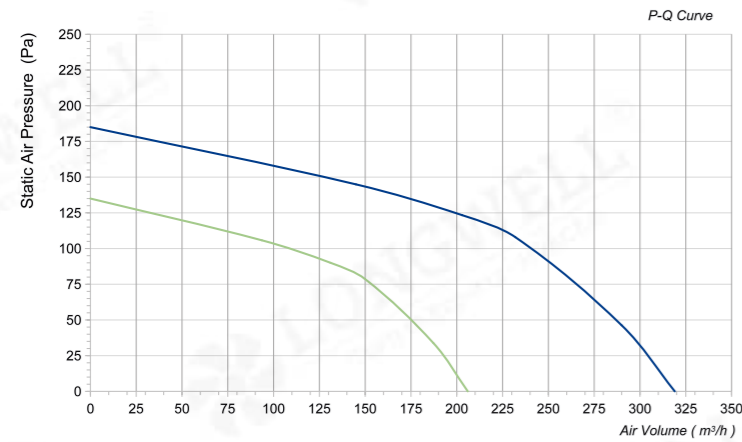


Diagonal Flow Pipe Booster Fan

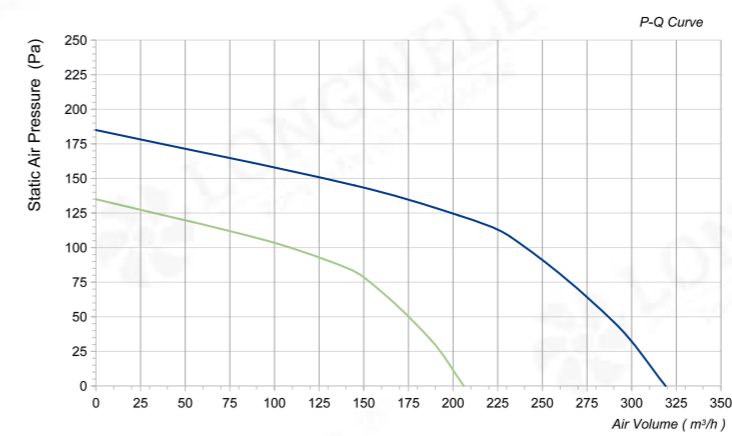
Professional HVAC Fan & Motors Manufacturer



LWDA-100(4") Serise



LWDA-125(5") Serise



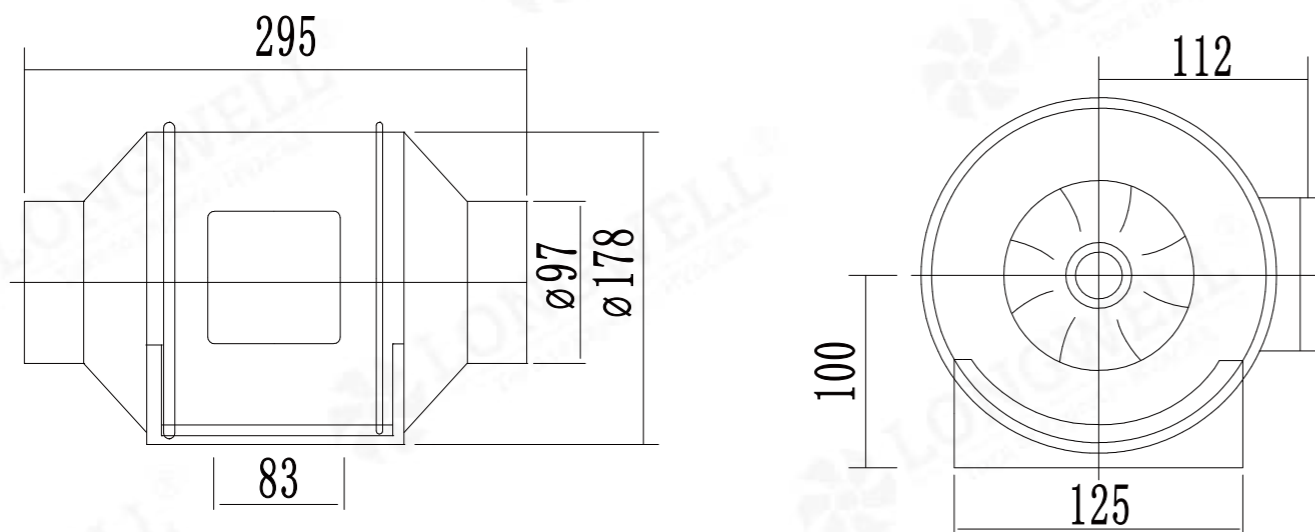
Product Characteristic

- Motor Type: AC External Rotor Motor
- Insulation Class: F
- Material: Plastic
- Operation Temperature: -30°C ~ +60°C



Technical Specifications

Model	Voltage (V)	Frequency (Hz)	Power (W)	Current (A)	Speed (RPM)	Air Flow (m³/h)	Pressure (Pa)	Noise [dB(A)]
LWDA-100(4")S-PBN-003S	220	50	40/32	/	2600/2200	319/205	185/135	32



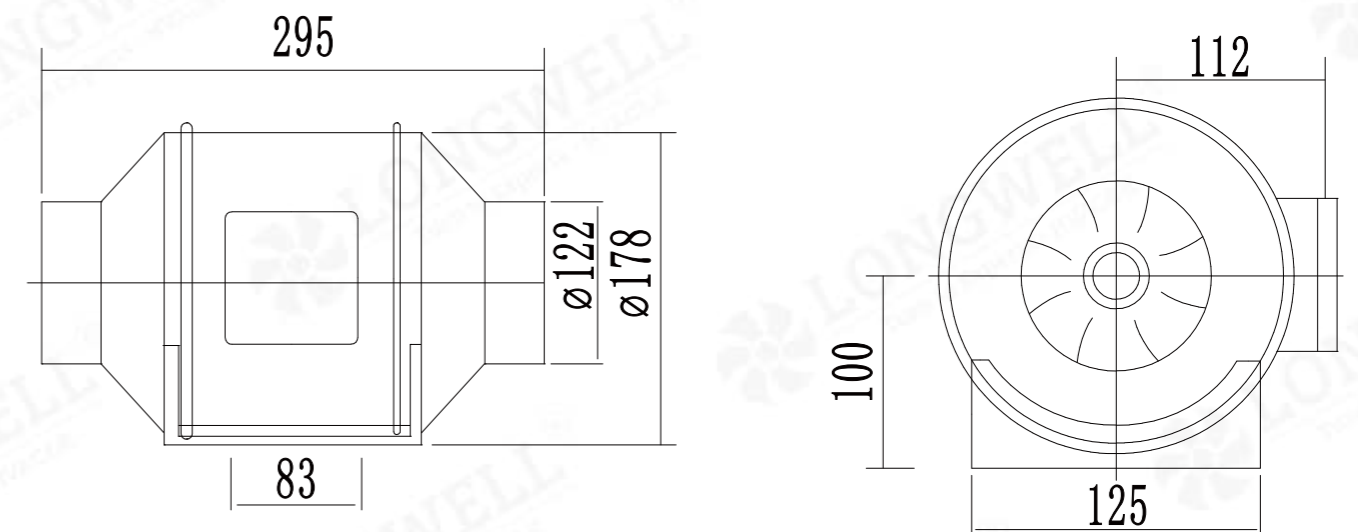
Product Characteristic

- Motor Type: AC External Rotor Motor
- Insulation Class: F
- Material: Plastic
- Operation Temperature: -30°C ~ +60°C

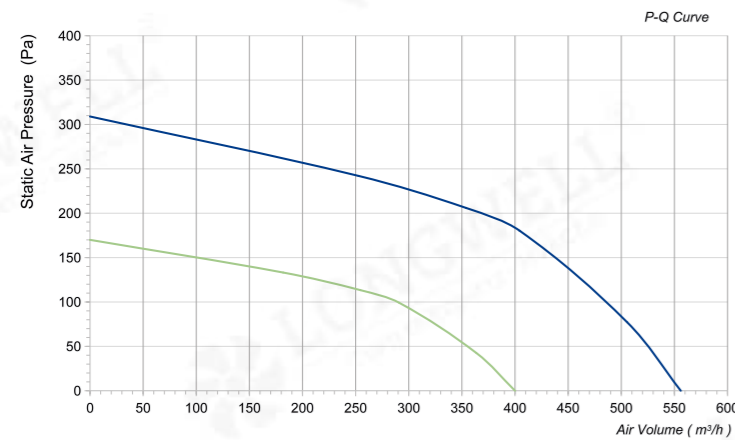


Technical Specifications

Model	Voltage (V)	Frequency (Hz)	Power (W)	Current (A)	Speed (RPM)	Air Flow (m³/h)	Pressure (Pa)	Noise [dB(A)]
LWDA-125(5")S-PBN-002S	220	50	40/32	/	2600/2200	319/205	185/135	34



LWDA-150(6") Serise



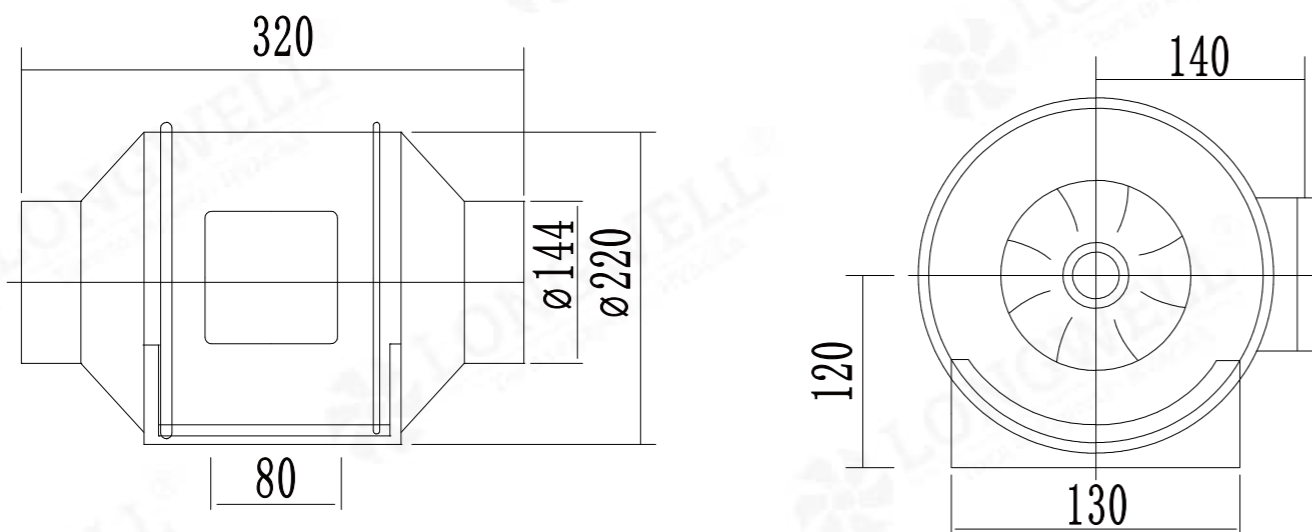
Product Characteristic

- Motor Type: AC External Rotor Motor
- Insulation Class: F
- Material: Plastic
- Operation Temperature: -30°C ~ +60°C

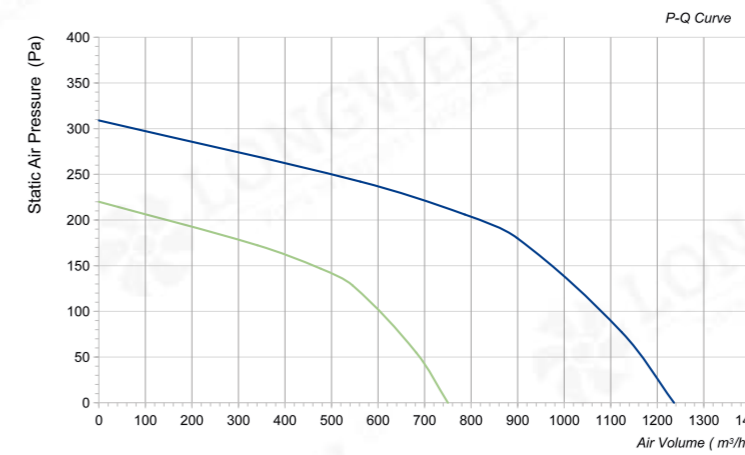


Technical Specifications

Model	Voltage (V)	Frequency (Hz)	Power (W)	Current (A)	Speed (RPM)	Air Flow (m³/h)	Pressure (Pa)	Noise [dB(A)]
LWDA-150(6")S-PBN-002S	220	50	80/70	/	2600/2200	556/400	309/171	38



LWDA-200(8") Serise



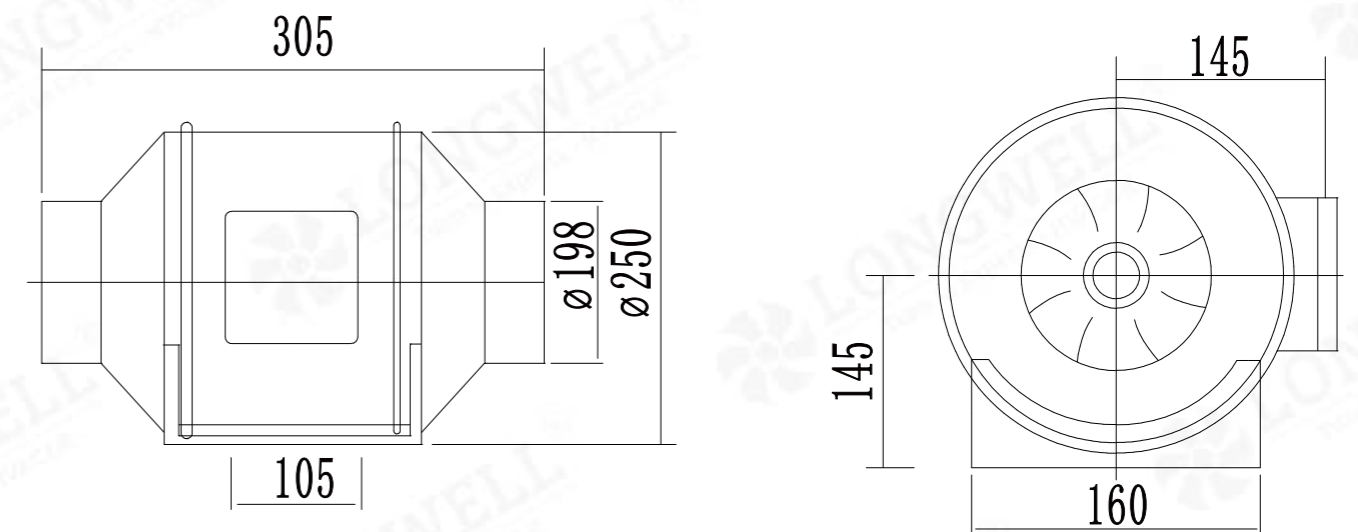
Product Characteristic

- Motor Type: AC External Rotor Motor
- Insulation Class: F
- Material: Plastic
- Operation Temperature: -30°C ~ +60°C

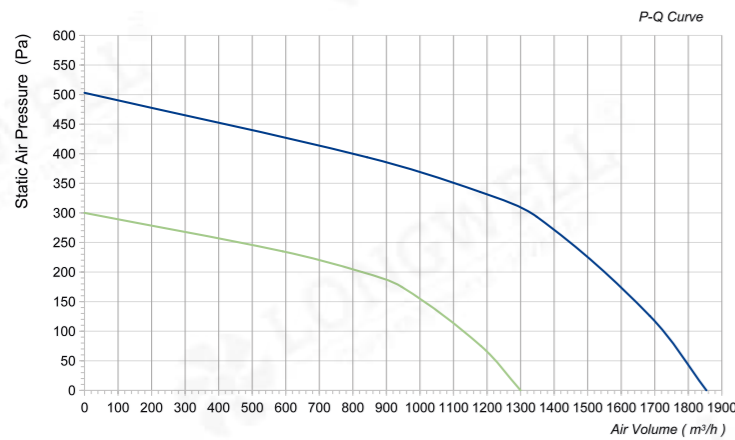


Technical Specifications

Model	Voltage (V)	Frequency (Hz)	Power (W)	Current (A)	Speed (RPM)	Air Flow (m³/h)	Pressure (Pa)	Noise [dB(A)]
LWDA-200(8")S-PBN-002S	220	50	130/113	/	2600/2200	1236/750	309/220	43



LWDA-250(10") Serise



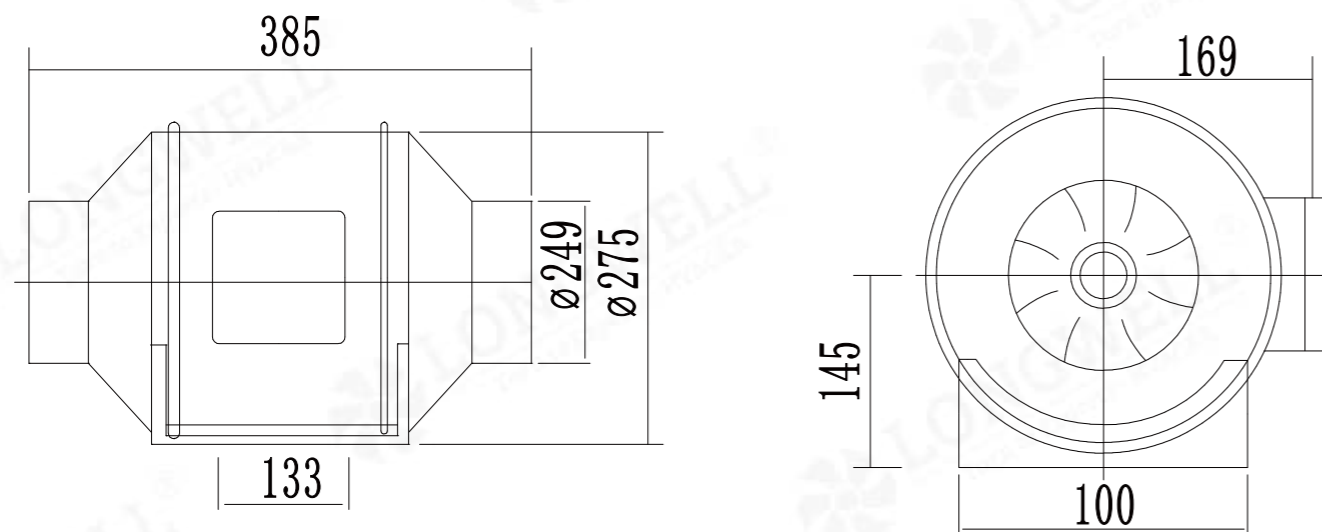
Product Characteristic

- Motor Type: AC External Rotor Motor
- Material: Plastic
- Insulation Class: F
- Operation Temperature: -30 °C ~ +60 °C

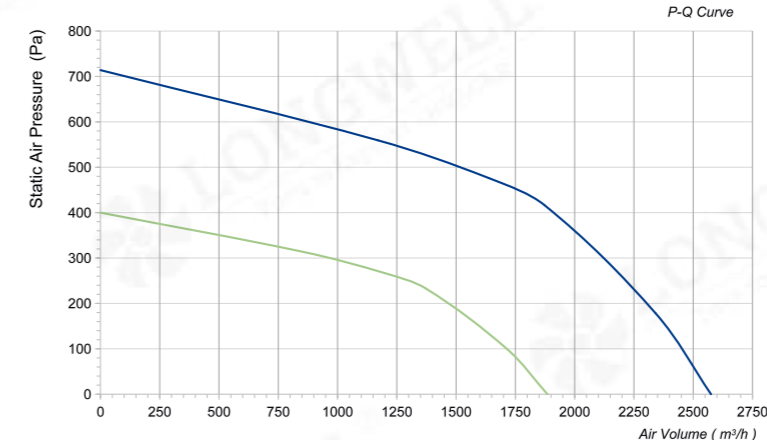


Technical Specifications

Model	Voltage (V)	Frequency (Hz)	Power (W)	Current (A)	Speed (RPM)	Air Flow (m³/h)	Pressure (Pa)	Noise [dB(A)]
LWDA-250(10")S-PBN-002S	220	50	245/186	/	2600/2200	1854/1300	503/300	50



LWDA-315(12") Serise



Product Characteristic

- Motor Type: AC External Rotor Motor
- Material: Plastic
- Insulation Class: F
- Operation Temperature: -30 °C ~ +60 °C



Technical Specifications

Model	Voltage (V)	Frequency (Hz)	Power (W)	Current (A)	Speed (RPM)	Air Flow (m³/h)	Pressure (Pa)	Noise [dB(A)]
LWDA-315(12")S-PBN-002S	220	50	320/220	/	2600/2200	2575/1800	714/400	71

