

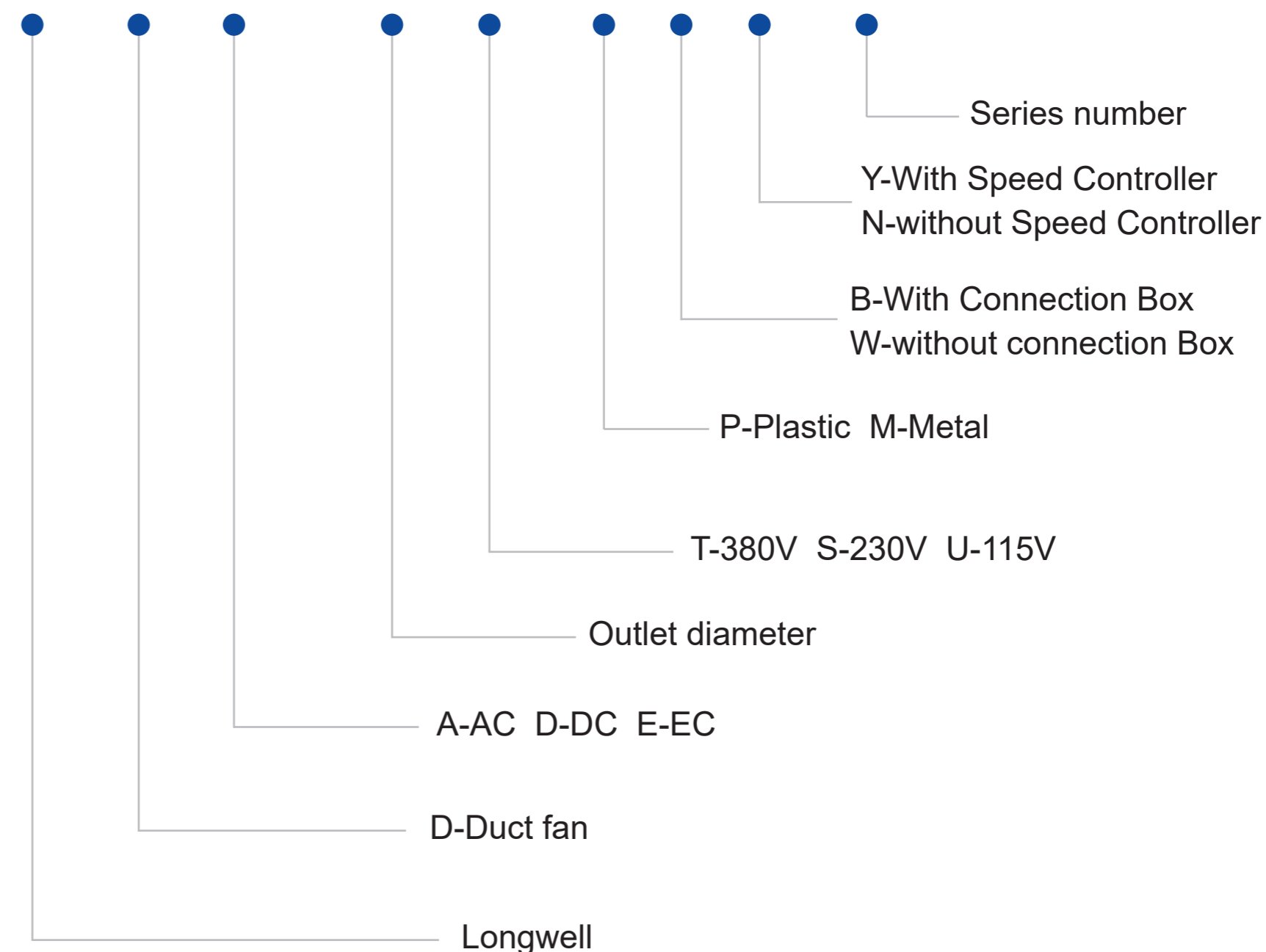
AC Plastic Inline Duct Fan

Professional HVAC Fan & Motors Manufacturer



Type Code

LW D E - 100 S - M B N - 10



LWDA-100 Series

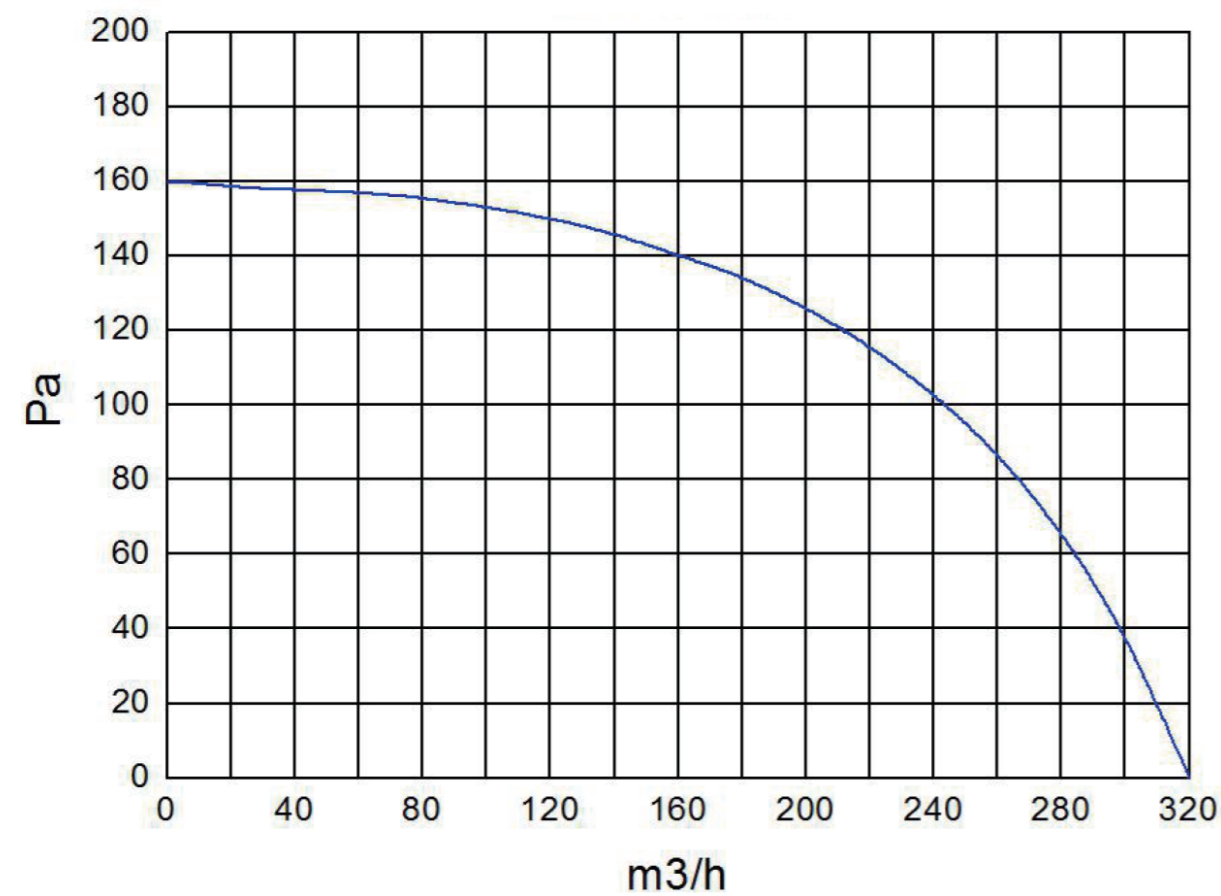
Product Characteristic

- Motor Type : AC External Rotor Motor
- Material : Plastic
- Certification : CE/CCC
- Insulation Class: F
- Operation Temperature: -30°C ~ +60°C

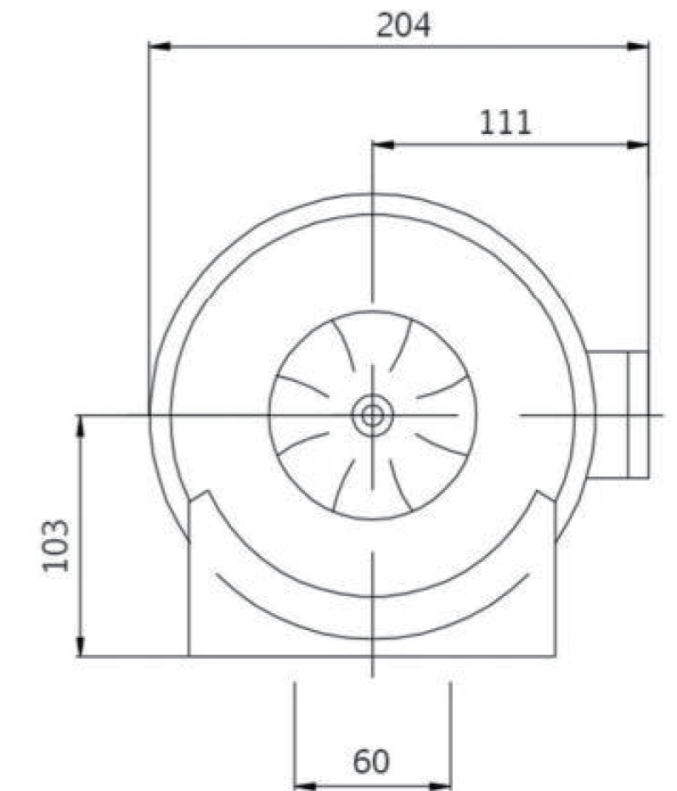
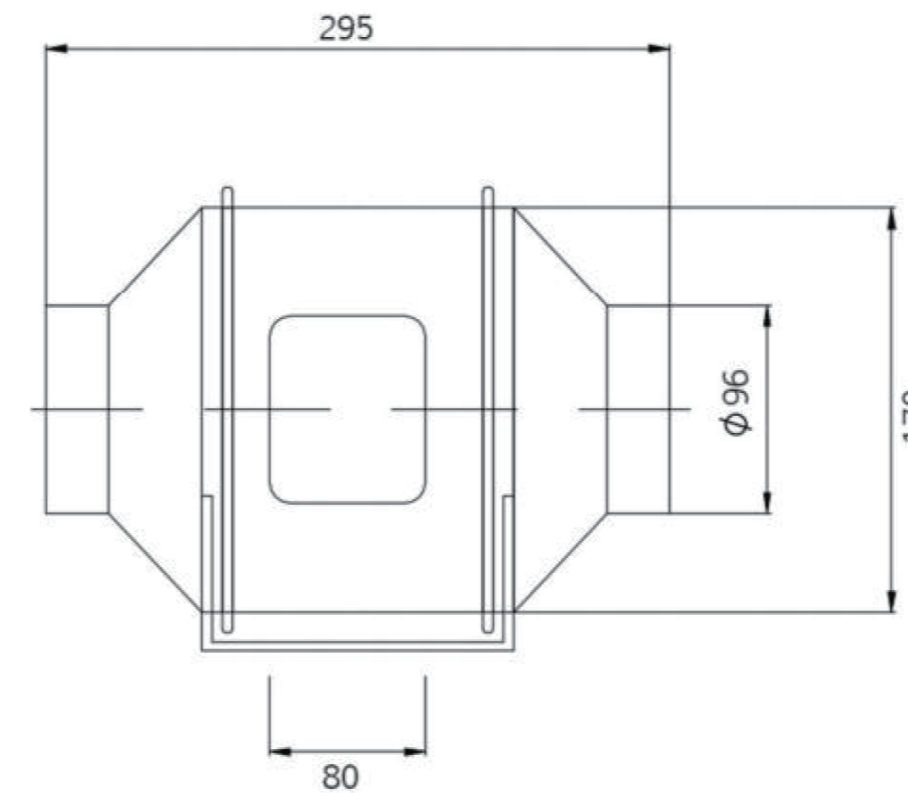


Technical Specifications

Model	Speed Level	Voltage (V)	Frequency (Hz)	Power (W)	Current (A)	Speed (RPM)	Air Flow (m³/h)	Pressure (Pa)	Noise [dB(A)]
LWDA-100(4")S-PWN-14	H	230	50	36	0.16	2360	325	163	30
LWDA-100(4")S-PWN-15	L	230	50	25	0.11	1900	205	135	24
LWDA-100(4")U-PWN-16	H	115	60	34	0.29	2360	325	163	30
LWDA-100(4")U-PWN-17	L	115	60	34	0.23	1900	205	135	24



Product Drawing (mm)



LWDA-125 Series

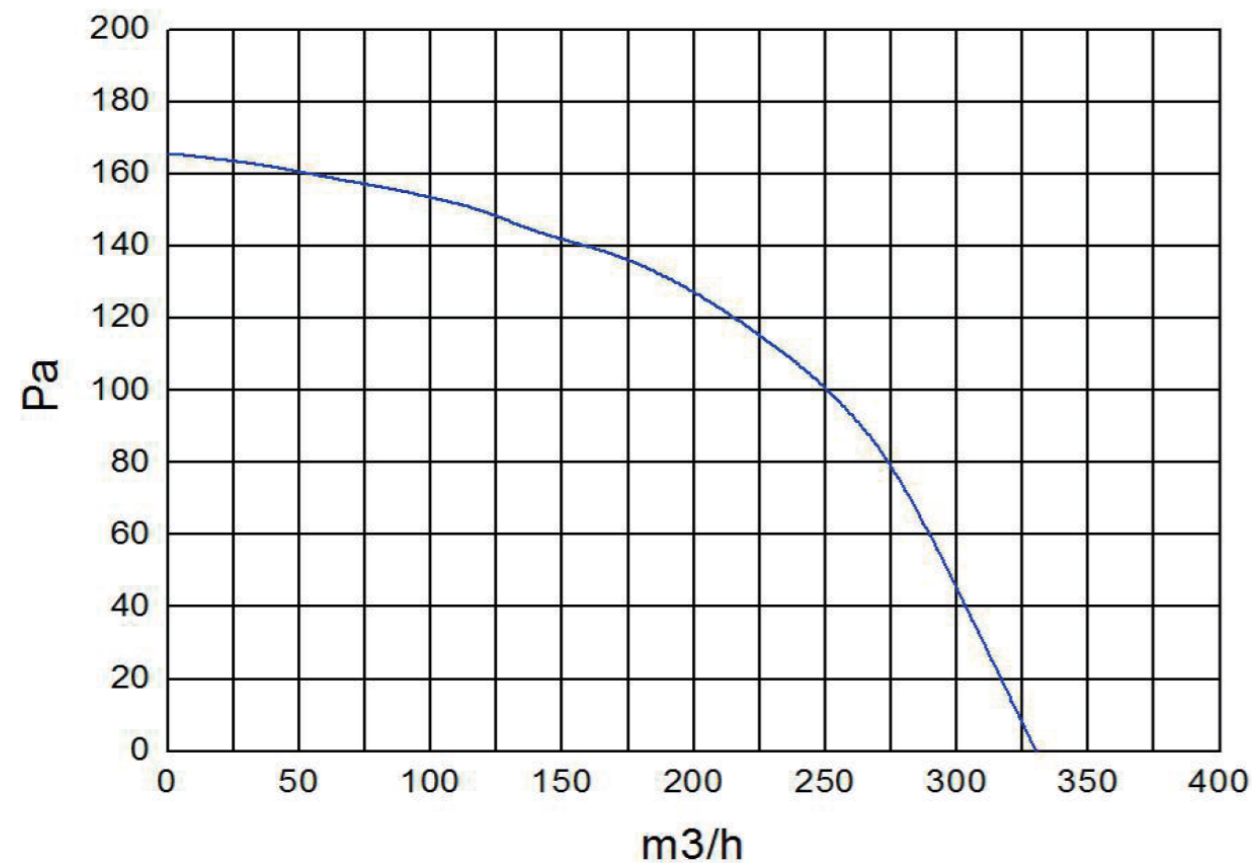
Product Characteristic

- Motor Type : AC External Rotor Motor
- Material : Plastic
- Certification : CE/CCC
- Insulation Class: F
- Operation Temperature: -30°C ~ +60°C

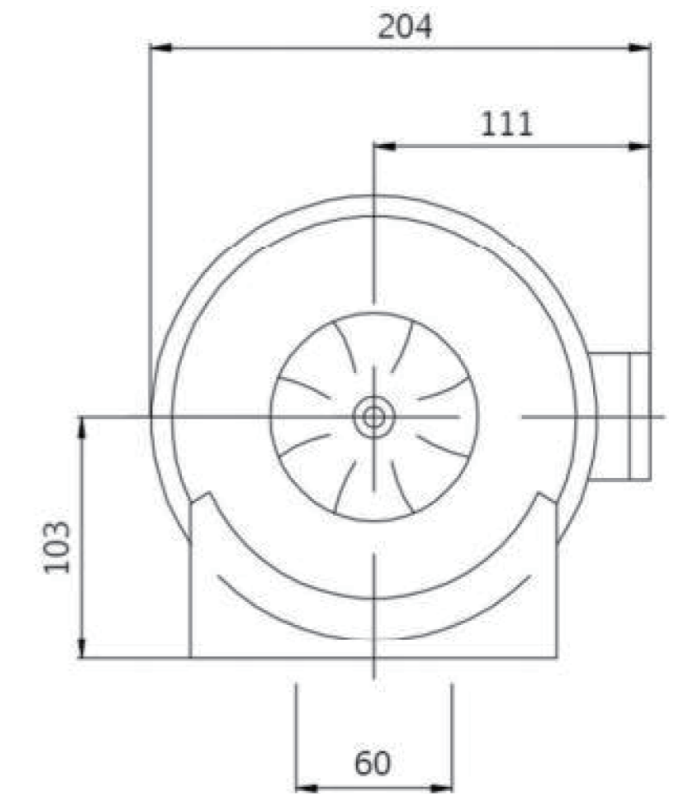
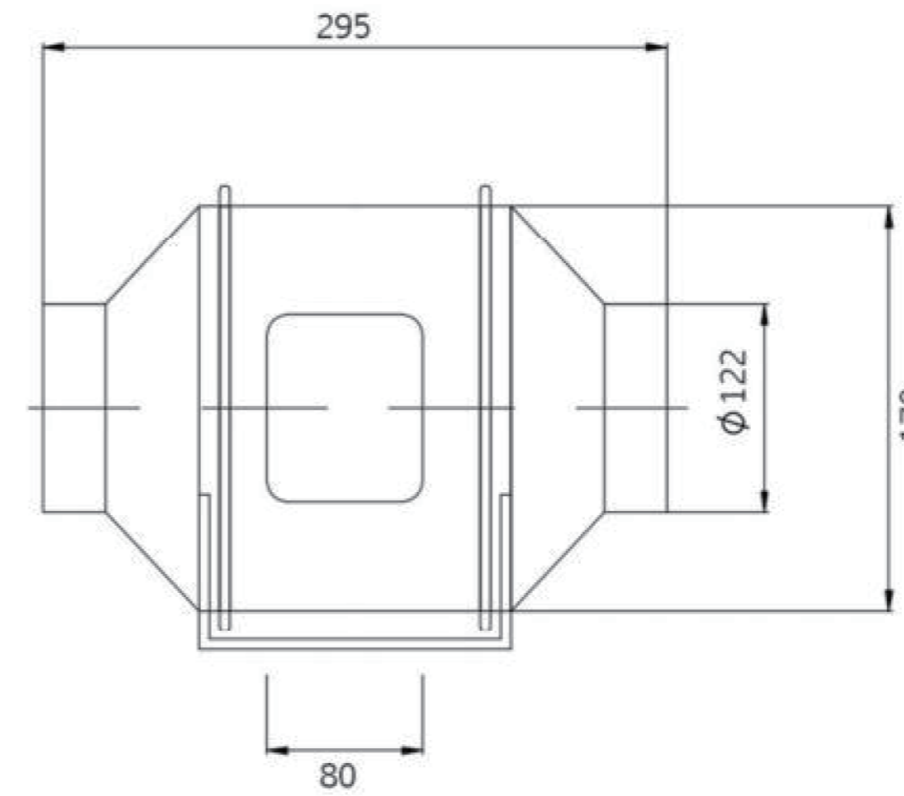


Technical Specifications

Model	Speed Level	Voltage (V)	Frequency (Hz)	Power (W)	Current (A)	Speed (RPM)	Air Flow (m³/h)	Pressure (Pa)	Noise [dB(A)]
LWDA-125(5")S-PWN-06	H	230	50	39	0.18	2360	330	168	31
LWDA-125(5")S-PWN-07	L	230	50	28	0.14	1950	293	137	30
LWDA-125(5")U-PWN-08	H	115	60	37	0.31	2360	330	168	31
LWDA-125(5")U-PWN-09	L	115	60	29	0.24	1950	293	137	30



Product Drawing (mm)



LWDA-150 Series

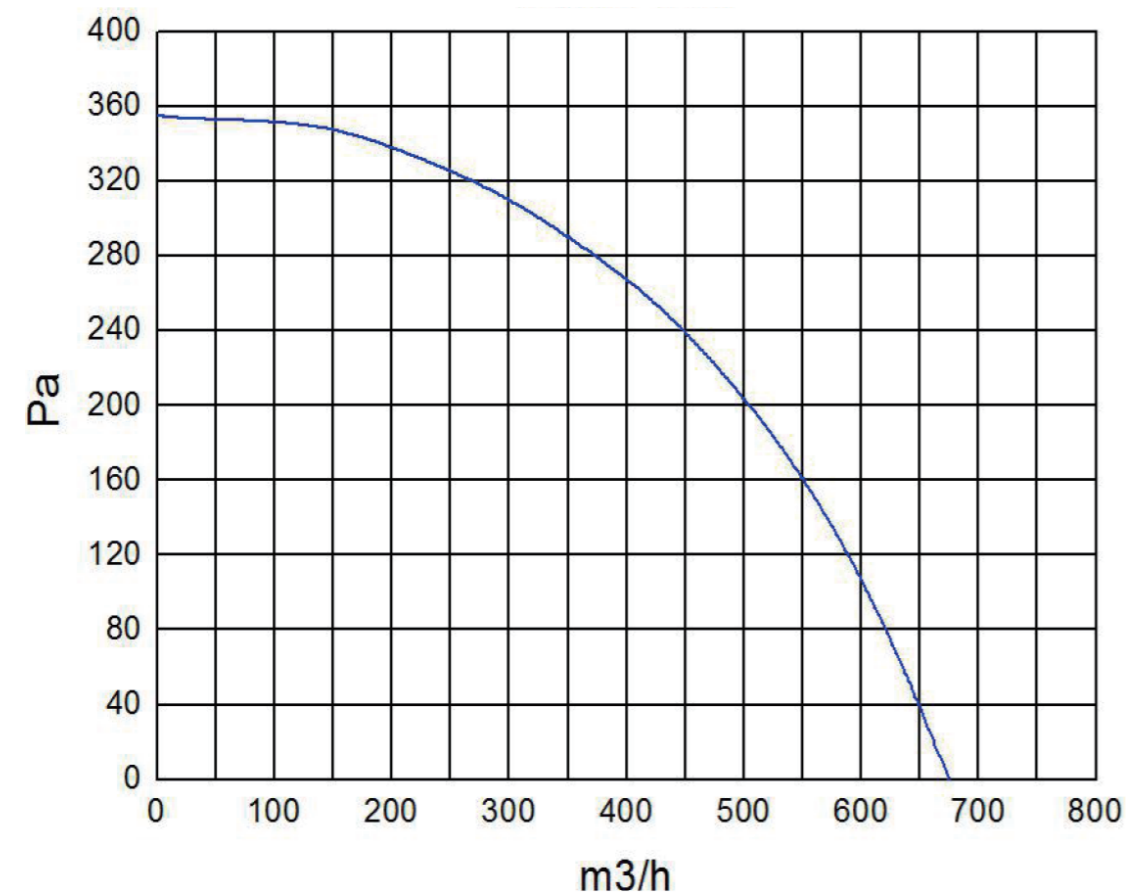
Product Characteristic

- Motor Type : AC External Rotor Motor
- Material : Plastic
- Certification : CE/CCC
- Insulation Class: F
- Operation Temperature: -30°C ~ +60°C

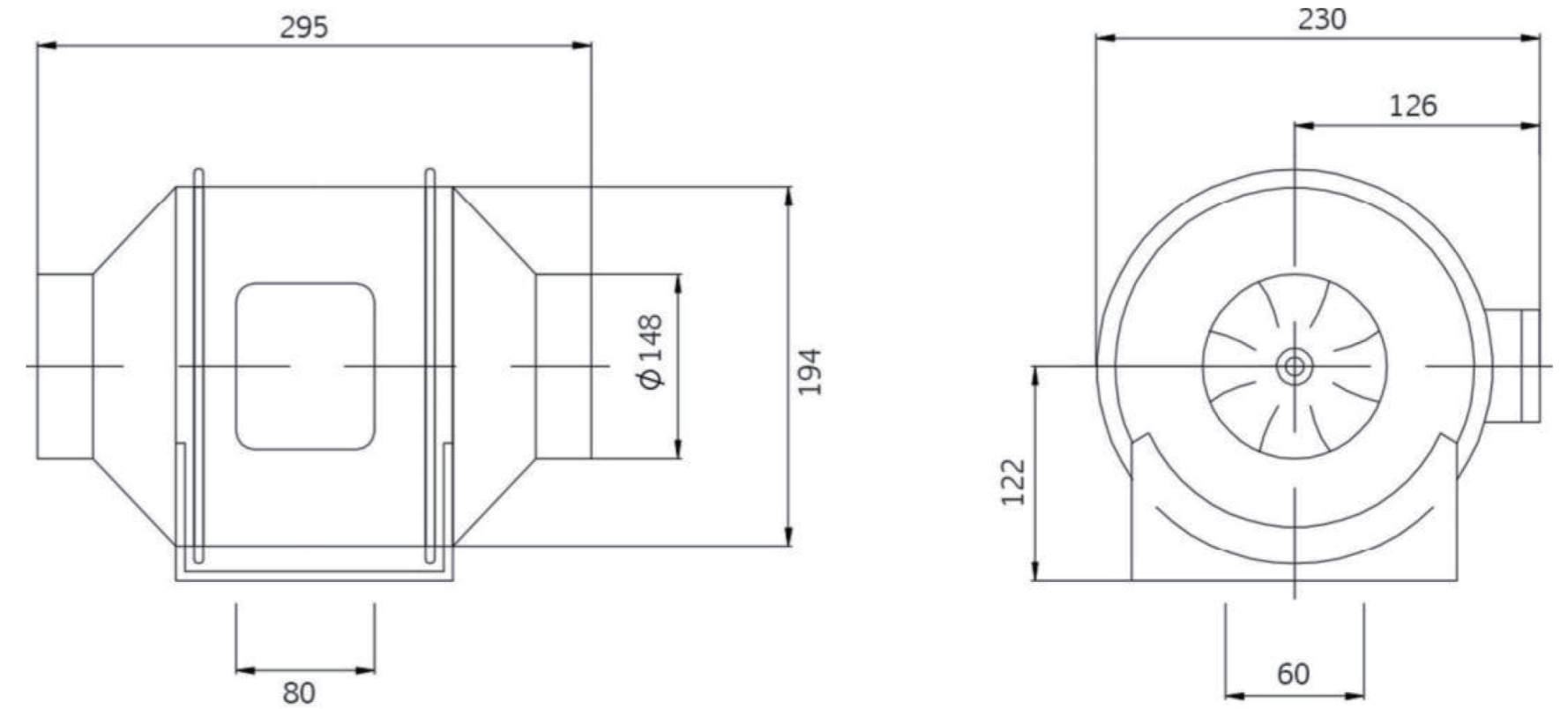


Technical Specifications

Model	Speed Level	Voltage (V)	Frequency (Hz)	Power (W)	Current (A)	Speed (RPM)	Air Flow (m³/h)	Pressure (Pa)	Noise [dB(A)]
LWDA-150(6")S-PWN-11	H	230	50	59	0.22	2400	660	168	32
LWDA-150(6")S-PWN-12	L	230	50	41	0.19	2050	530	137	30
LWDA-150(6")U-PWN-13	H	115	60	59	0.49	2480	674	355	32
LWDA-150(6")U-PWN-14	L	115	60	44	0.36	2050	535	302	30



Product Drawing (mm)



LWDA-200 Series

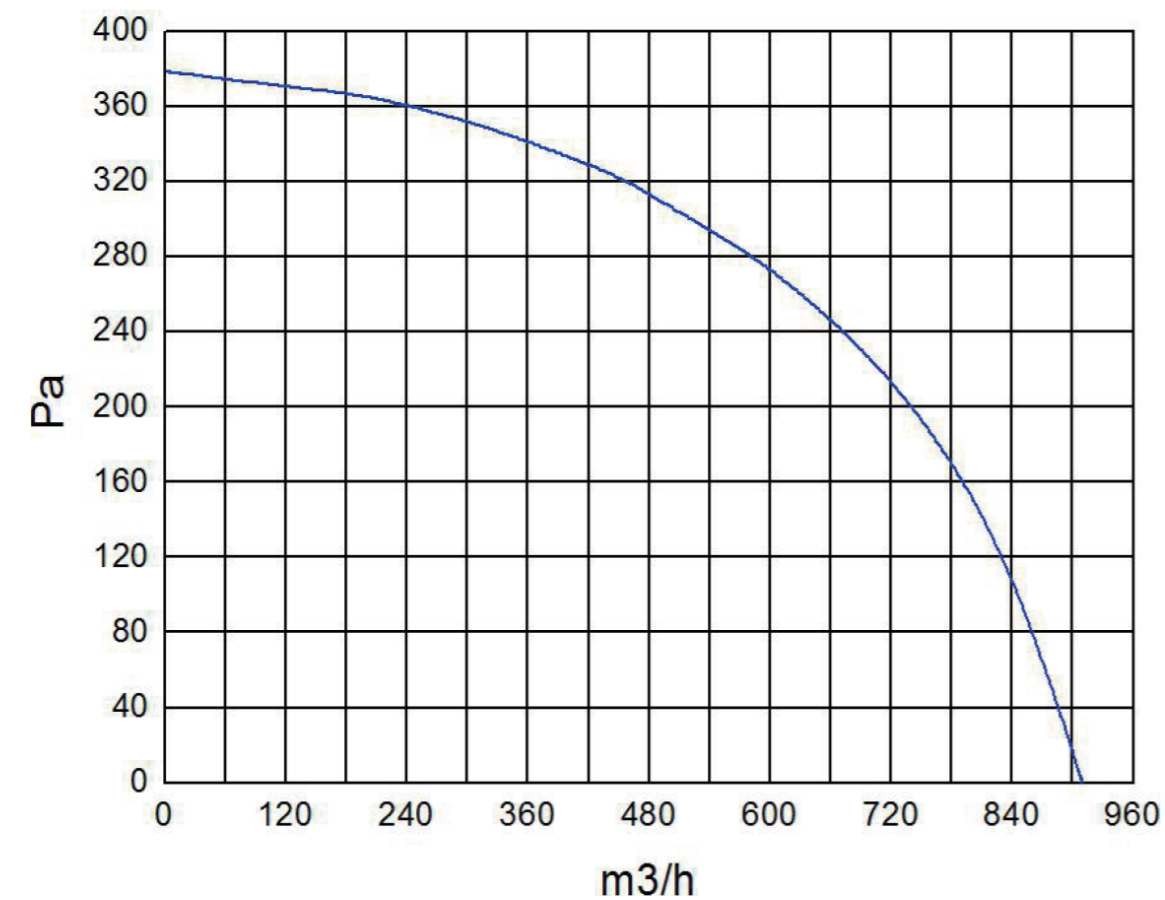
Product Characteristic

- Motor Type : AC External Rotor Motor
- Material : Plastic
- Certification : CE/CCC
- Insulation Class: F
- Operation Temperature: -30°C ~ +60°C



Technical Specifications

Model	Speed Level	Voltage (V)	Frequency (Hz)	Power (W)	Current (A)	Speed (RPM)	Air Flow (m³/h)	Pressure (Pa)	Noise [dB(A)]
LWDA-200(8")S-PWN-09	H	230	50	130	0.6	2300	910	384	40
LWDA-200(8")S-PWN-10	L	230	50	113	0.55	1650	735	303	38
LWDA-200(8")U-PWN-11	H	115	60	182	1.59	2480	1250	435	41
LWDA-200(8")U-PWN-12	L	115	60	128	1.06	1950	750	302	38



Product Drawing (mm)

