

# *EC Plastic Inline Duct Fan*

- Wind tunnel test simulation
- Velocity vector graph analysis
- Air flow path
- Velocity distribution cloud map
- Application of fan hydrodynamics (CFD)



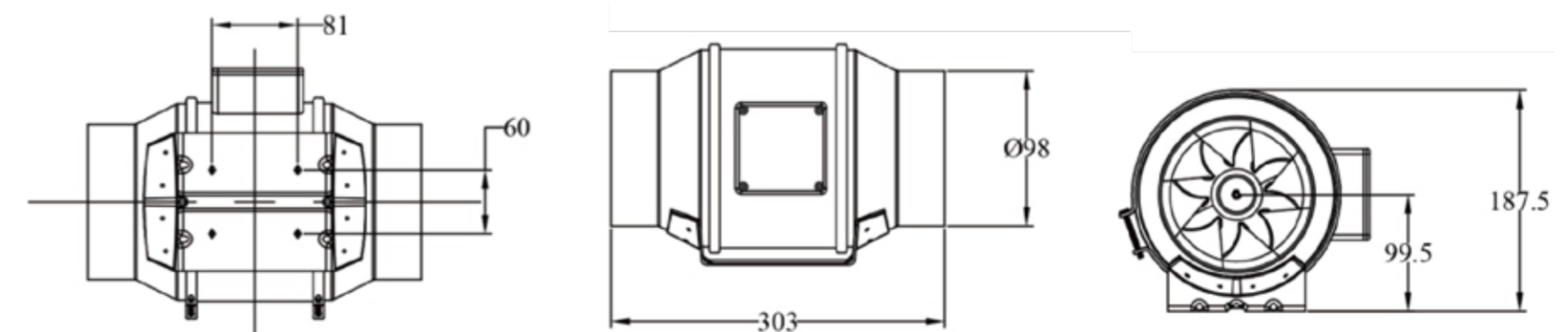
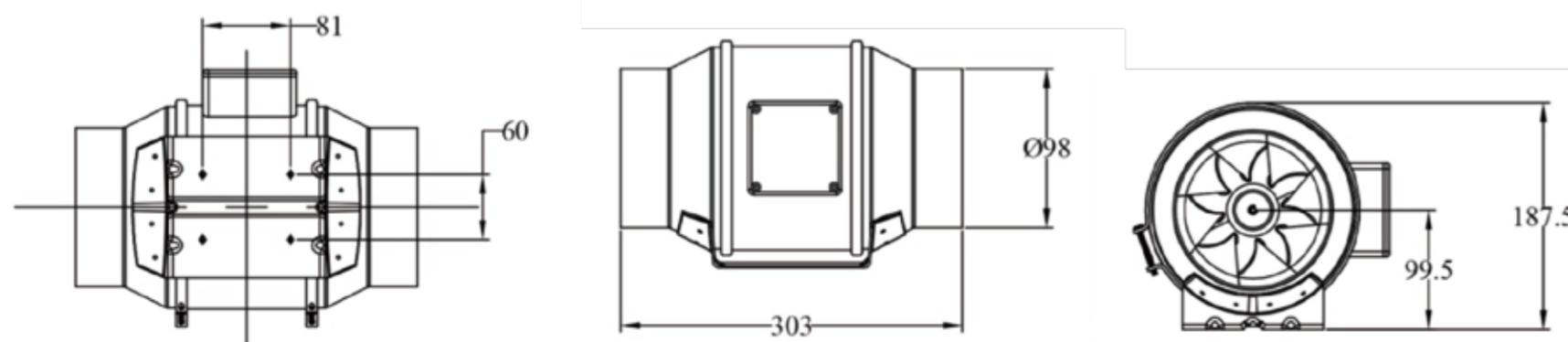


**Technical Specifications**

<b>Model</b>	LWDE-100S-PWY-01	<b>N.W</b>	1.7kg
<b>Air Flow Duct Diameter</b>	98mm	<b>Package Data</b>	335mm×245mm×220mm
<b>G.W</b>	2.3kg	<b>Voltage</b>	AC110-240V
<b>Frequency</b>	50/60Hz	<b>Power</b>	30W
<b>Fan Speed</b>	2700RPM	<b>Air Flow</b>	205CFM
<b>Noise Level</b>	28dB-A	<b>Power Pinput Wire</b>	3Core×0.75 <sup>2</sup> ×1.5M
<b>Control Wire Length</b>	2.5m	<b>Speed Control</b>	Out-side Control box

**Technical Specifications**

<b>Model</b>	LWDE-100S-PWY-02	<b>N.W</b>	1.7kg
<b>Air Flow Duct Diameter</b>	98mm	<b>Package Data</b>	335mm×245mm×220mm
<b>G.W</b>	2.3kg	<b>Voltage</b>	AC110-240V
<b>Frequency</b>	50/60Hz	<b>Power</b>	35W
<b>Fan Speed</b>	2900RPM	<b>Air Flow</b>	212CFM
<b>Noise Level</b>	28dB-A	<b>Power Pinput Wire</b>	3Core×0.75 <sup>2</sup> ×1.5M
<b>Control Wire Length</b>	2.5m	<b>Speed Control</b>	Out-side Control box





**LWDE-100S-PWY-03**

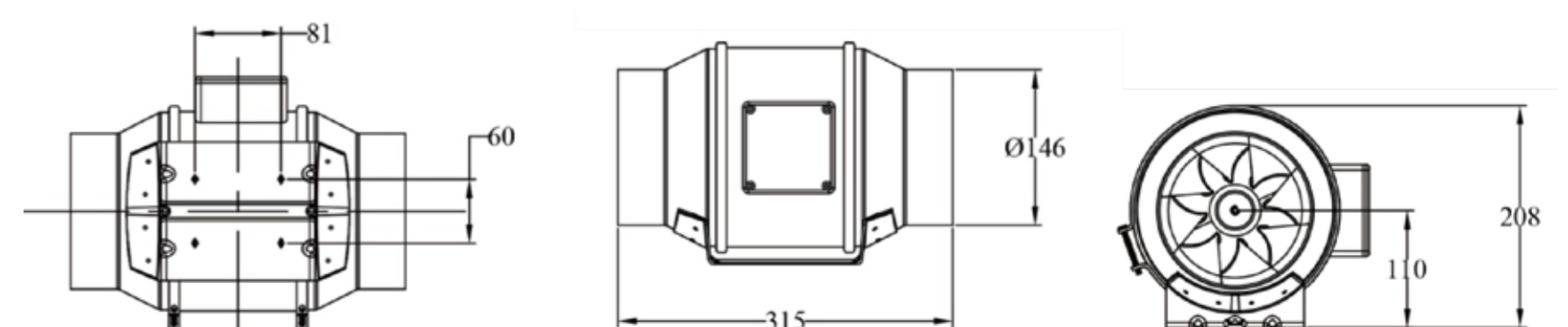
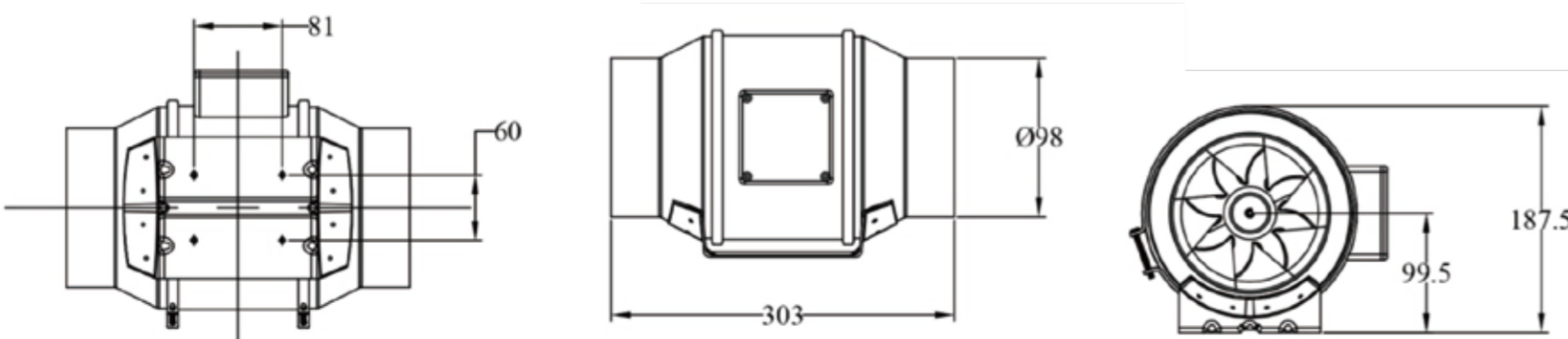
**LWDE-100S-PWY-04**

**Technical Specifications**

<b>Model</b>	LWDE-100S-PWY-03	<b>N.W</b>	2.1kg
<b>Air Flow Duct Diameter</b>	98mm	<b>Package Data</b>	335mm×245mm×260mm
<b>G.W</b>	2.75kg	<b>Voltage</b>	AC110-240V
<b>Frequency</b>	50/60Hz	<b>Power</b>	30W
<b>Fan Speed</b>	2700RPM	<b>Air Flow</b>	205CFM
<b>Noise Level</b>	28dB-A	<b>Power Pinput Wire</b>	3Core×0.75 <sup>2</sup> ×1.5M
<b>Control Wire Length</b>	2.5m	<b>Speed Control</b>	Out-side speed control box with temperature & humidity function Speed control/Timer/Alarm Function

**Technical Specifications**

<b>Model</b>	LWDE-100S-PWY-04	<b>N.W</b>	2.1kg
<b>Air Flow Duct Diameter</b>	98mm	<b>Package Data</b>	335mm×245mm×260mm
<b>G.W</b>	2.75kg	<b>Voltage</b>	AC110-240V
<b>Frequency</b>	50/60Hz	<b>Power</b>	35W
<b>Fan Speed</b>	2900RPM	<b>Air Flow</b>	212CFM
<b>Noise Level</b>	28dB-A	<b>Power Pinput Wire</b>	3Core×0.75 <sup>2</sup> ×1.5M
<b>Control Wire Length</b>	2.5m	<b>Speed Control</b>	Out-side speed control box with temperature & humidity function Speed control/Timer/Alarm Function





**LWDE-150S-PWY-01**



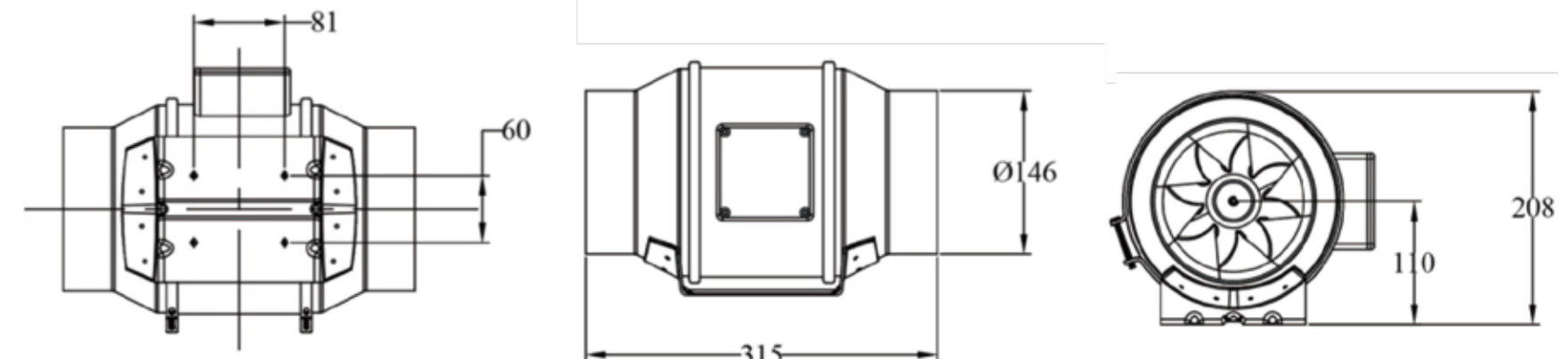
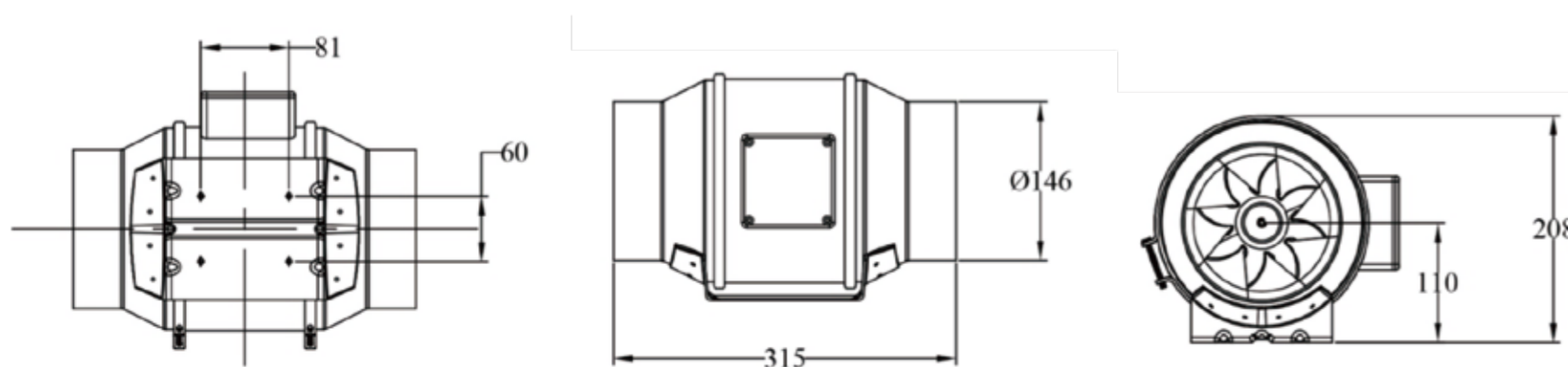
**LWDE-150S-PBY-02**

**Technical Specifications**

Model	LWDE-150S-PWY-01	N.W	2.4kg
Air Flow Duct Diameter	147mm	Package Data	345mm×265mm×240mm
G.W	3kg	Voltage	AC110-240V
Frequency	50/60Hz	Power	50W
Fan Speed	2800RPM	Air Flow	305CFM
Noise Level	34dB-A	Power Pinput Wire	3Core×0.75 <sup>2</sup> ×1.5M
Control Wire Length	2.5m	Speed Control	Out-side Control box

**Technical Specifications**

Model	LWDE-150S-PBY-02	N.W	2.4kg
Air Flow Duct Diameter	147mm	Package Data	345mm×265mm×240mm
G.W	3kg	Voltage	AC110-240V
Frequency	50/60Hz	Power	70W
Fan Speed	2800RPM	Air Flow	402CFM
Noise Level	34dB-A	Power Pinput Wire	3Core×0.75 <sup>2</sup> ×1.5M
Control system	Knob speed control	Speed Control	Out-side Control box



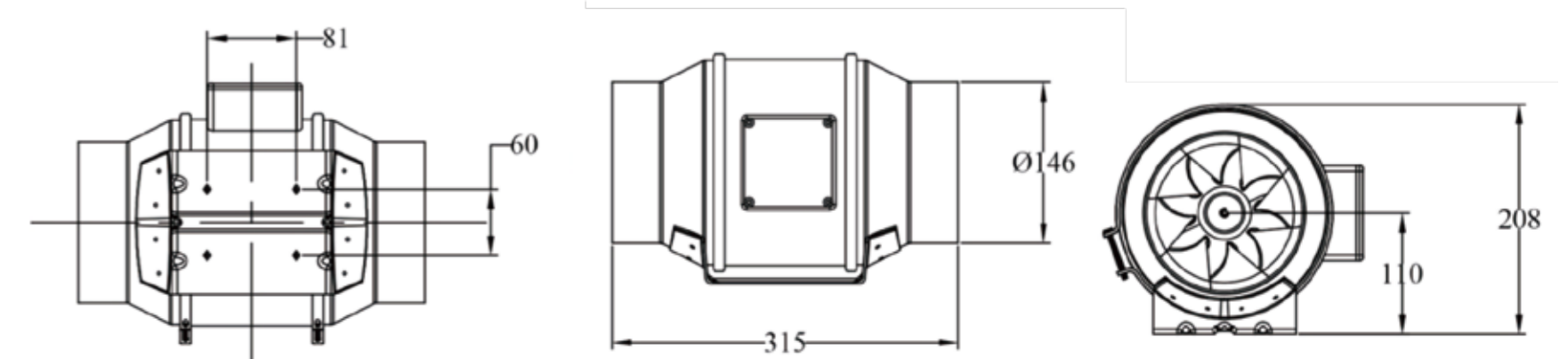
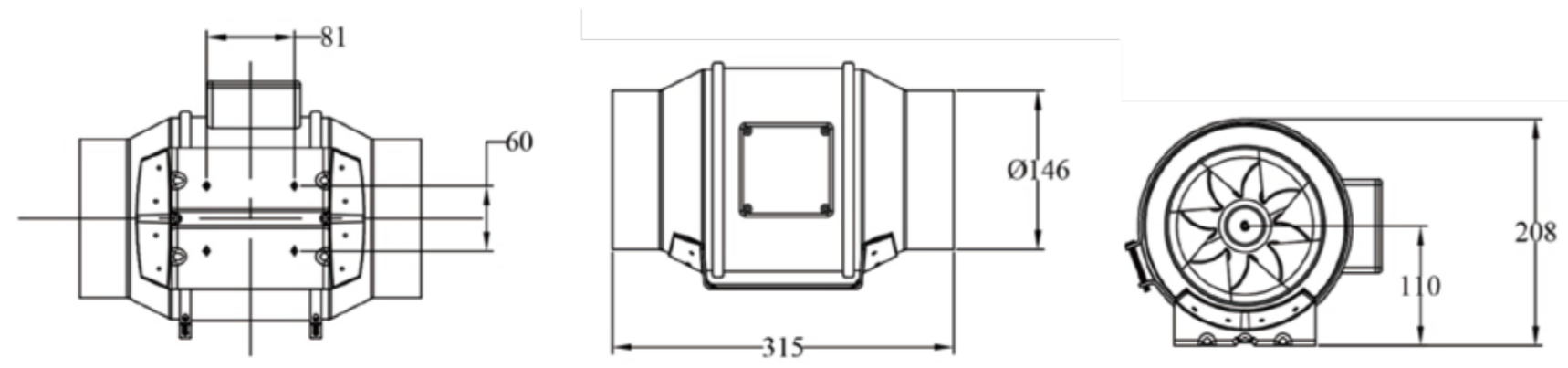


**Technical Specifications**

<b>Model</b>	LWDE-150S-PWY-03	<b>N.W</b>	2.4kg
<b>Air Flow Duct Diameter</b>	147mm	<b>Package Data</b>	345mm×265mm×240mm
<b>G.W</b>	3kg	<b>Voltage</b>	AC110-240V
<b>Frequency</b>	50/60Hz	<b>Power</b>	20W
<b>Fan Speed</b>	2500RPM	<b>Air Flow</b>	305CFM
<b>Noise Level</b>	34dB-A	<b>Power Pinput Wire</b>	3Core×0.75 <sup>2</sup> ×1.5M
<b>Control Wire Length</b>	2.5m	<b>Speed Control</b>	Out-side speed control box with temperature & humidity function Speed control/Timer/Alarm Function

**Technical Specifications**

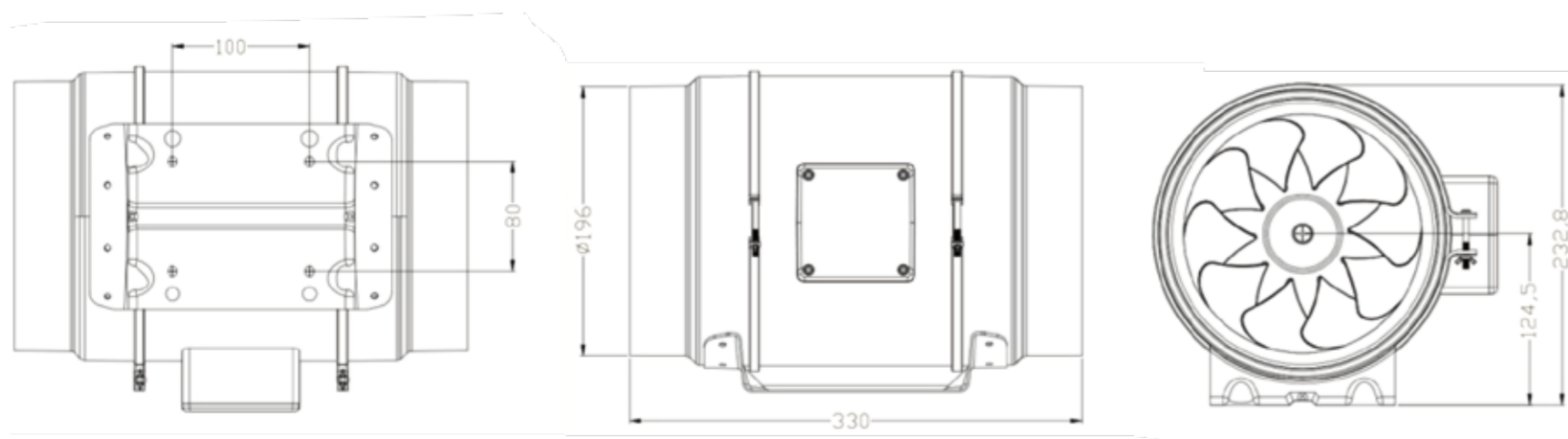
<b>Model</b>	LWDE-150S-PBY-04	<b>N.W</b>	2.4kg
<b>Air Flow Duct Diameter</b>	147mm	<b>Package Data</b>	345mm×265mm×240mm
<b>G.W</b>	3kg	<b>Voltage</b>	AC110-240V
<b>Frequency</b>	50/60Hz	<b>Power</b>	70W
<b>Fan Speed</b>	2800RPM	<b>Air Flow</b>	402CFM
<b>Noise Level</b>	34dB-A	<b>Power Pinput Wire</b>	3Core×0.75 <sup>2</sup> ×1.5M
<b>Control system</b>	Knob speed control	<b>Speed Control</b>	Out-side speed control box with temperature & humidity function Speed control/Timer/Alarm Function





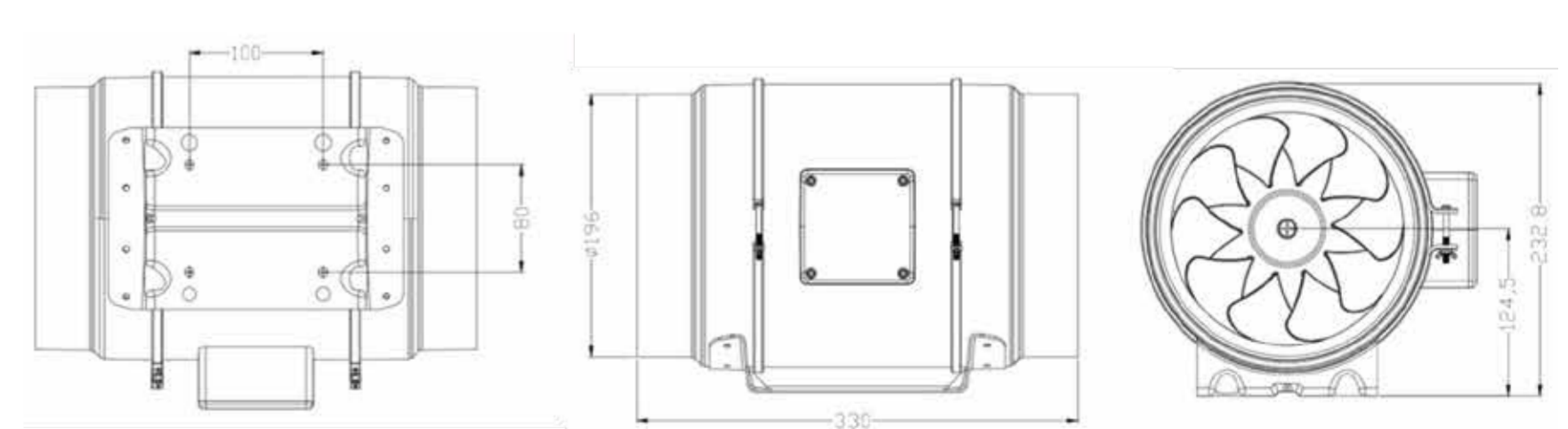
### Technical Specifications

<b>Model</b>	LWDE-200S-PWY-01	<b>N.W</b>	2.9kg
<b>Air Flow Duct Diameter</b>	196mm	<b>Package Data</b>	360mm×300mm×280mm
<b>G.W</b>	3.7kg	<b>Voltage</b>	AC110-240V
<b>Frequency</b>	50/60Hz	<b>Power</b>	70W
<b>Fan Speed</b>	2000RPM	<b>Air Flow</b>	553CFM
<b>Noise Level</b>	42dB-A	<b>Power Pinput Wire</b>	3Core×0.75 <sup>2</sup> ×1.5M
<b>Control Wire Length</b>	2.5m	<b>Speed Control</b>	Out-side Control box



### Technical Specifications

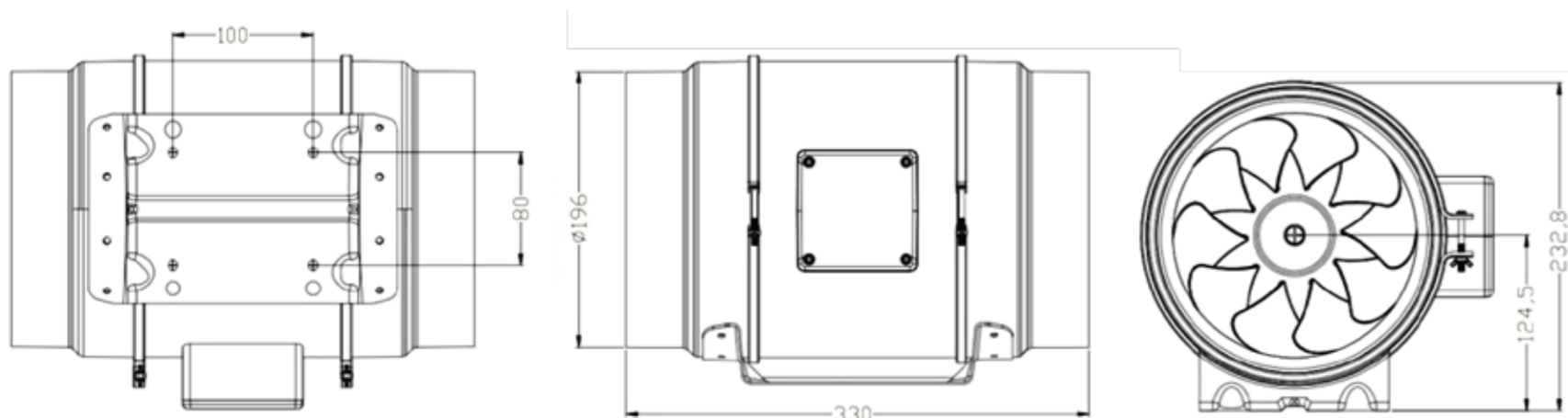
<b>Model</b>	LWDE-200S-PWY-02	<b>N.W</b>	2.9kg
<b>Air Flow Duct Diameter</b>	196mm	<b>Package Data</b>	360mm×300mm×280mm
<b>G.W</b>	3.7kg	<b>Voltage</b>	AC110-240V
<b>Frequency</b>	50/60Hz	<b>Power</b>	170W
<b>Fan Speed</b>	3000RPM	<b>Air Flow</b>	830CFM
<b>Noise Level</b>	51dB-A	<b>Power Pinput Wire</b>	3Core×0.75 <sup>2</sup> ×1.5M
<b>Control Wire Length</b>	2.5m	<b>Speed Control</b>	Out-side Control box





### Technical Specifications

<b>Model</b>	LWDE-200S-PWY-03	<b>N.W</b>	2.9kg
<b>Air Flow Duct Diameter</b>	196mm	<b>Package Data</b>	360mm×300mm×280mm
<b>G.W</b>	3.7kg	<b>Voltage</b>	AC110-240V
<b>Frequency</b>	50/60Hz	<b>Power</b>	70W
<b>Fan Speed</b>	2000RPM	<b>Air Flow</b>	553CFM
<b>Noise Level</b>	42dB-A	<b>Power Pinput Wire</b>	3Core×0.75 <sup>2</sup> ×1.5M
<b>Control Wire Length</b>	2.5m	<b>Speed Control</b>	Out-side speed control box with temperature & humidity function Speed control/Timer/Alarm Function



### Technical Specifications

<b>Model</b>	LWDE-200S-PWY-04	<b>N.W</b>	2.9kg
<b>Air Flow Duct Diameter</b>	196mm	<b>Package Data</b>	360mm×300mm×280mm
<b>G.W</b>	3.7kg	<b>Voltage</b>	AC110-240V
<b>Frequency</b>	50/60Hz	<b>Power</b>	170W
<b>Fan Speed</b>	3000RPM	<b>Air Flow</b>	830CFM
<b>Noise Level</b>	51dB-A	<b>Power Pinput Wire</b>	3Core×0.75 <sup>2</sup> ×1.5M
<b>Control Wire Length</b>	2.5m	<b>Speed Control</b>	Out-side speed control box with temperature & humidity function Speed control/Timer/Alarm Function

