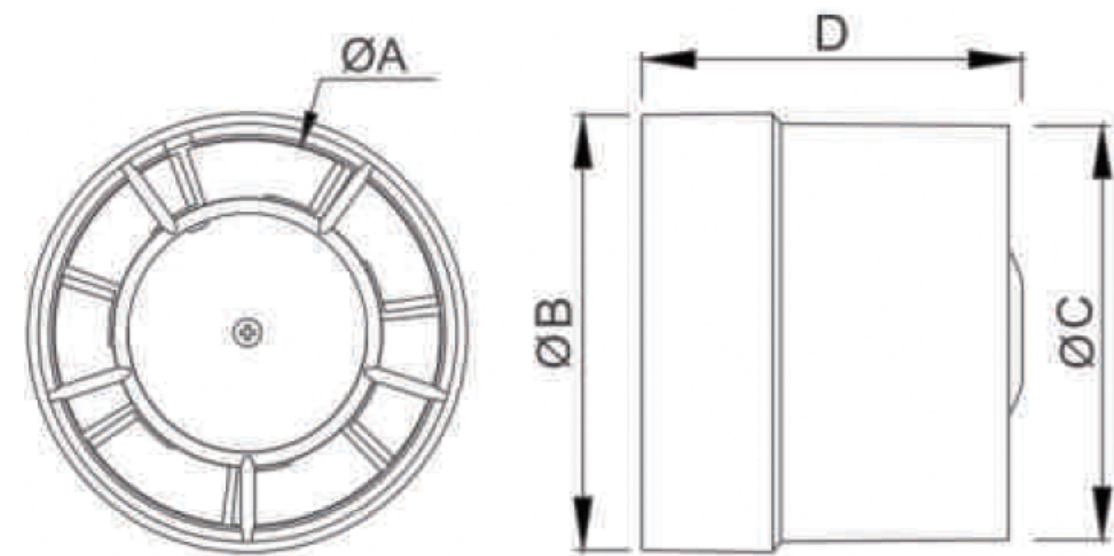
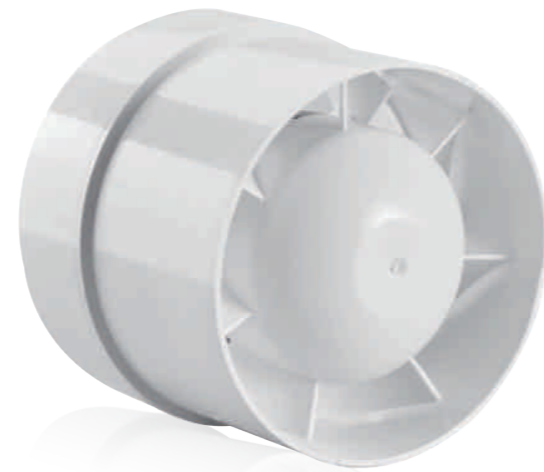


PVC Duct Fan

- Suitable for inline duct mount in suspended ceiling
- Flexible inline installation as fan booster
- Shaded pole motor with thermo cut - off
- Ball bearing motor to reduce friction for long life operation
- Safety design based on IEC requirements, approved by SAA CE ROHS



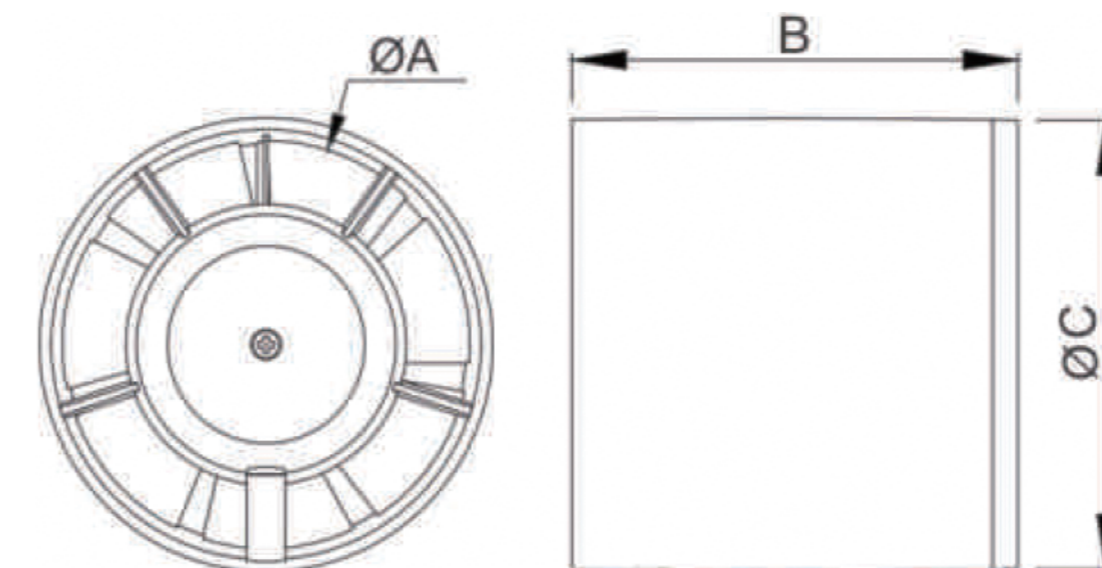
LWD100(4")-PWN-10
A:Φ90/B:Φ104/C:Φ99/D:88

LWD125(5")-PWN-05
A:Φ115/B:Φ129/C:Φ124/D:88

LWD150(6")-PWN-09
A:Φ139/B:Φ154/C:Φ149/D:108

PVC Duct Fan

- Suitable for inline duct mount in suspended ceiling
- ABS Shutter,PET Shutter are optional,shutter is needed to avoid backflow
- Same size of inlet and outlet for more convenient mount
- Flexible inline installation as fan booster
- Shaded pole motor with thermo cut-off
- Ball bearing motor to reduce friction for long life operation
- Safety design based on IEC requirements,approved by SAA CE RoHS



LWD100(4")-PWN-11
A:Φ90/B:Φ98/C:Φ99

LWD150(6")-PWN-10
A:Φ139/B:Φ118/C:Φ149



Ring ,shutter are optional for the above products.

Technical Parameters

| Model No. | LWD100(4")-PWN-10 | LWD125(5")-PWN-05 | LWD150(6")-PWN-09 |
|----------------------------|--|-------------------|-------------------|
| Max Air Volume | 130m³/h | 240m³/h | 320m³/h |
| Static Pressure | 36Pa | 45Pa | 60Pa |
| Sound Pressure Level at 3m | 34dB | 34dB | 35dB |
| RPM | 2200rpm | 2000rpm | 1850rpm |
| Power | 12W | 16W | 18W |
| Current | 0.072A | 0.11A | 0.138A |
| V/Hz | 12V~50Hz; 110V~60Hz; 127V~60Hz; 220V~50Hz; 220V~60Hz; 220V~50/60Hz; 220~40V~50Hz | | |
| IP Rating | IPX2 | | |
| Plastic Material | ABS | | |
| Appliance Class | □ | | |
| Climate Class | T | | |
| PCS/CTN | 40PCS/CTN | | 30PCS/CTN |
| Carton Dims (LxWxH cm) | 46x23.5x52 | 56x28.5x53 | 50x33.5x62.5 |

Technical Parameters

| Model No. | LWD100(4")-PWN-11 | LWD150(6")-PWN-10 |
|----------------------------|--|-------------------|
| Max Air Volume | 130m³/h | 320m³/h |
| Static Pressure | 36Pa | 60Pa |
| Sound Pressure Level at 3m | 34dB | 35dB |
| RPM | 2200rpm | 1850rpm |
| Power | 12W | 18W |
| Current | 0.072A | 0.138A |
| V/Hz | 12V~50Hz; 110V~60Hz; 127V~60Hz; 220V~50Hz; 220V~60Hz; 220V~50/60Hz; 220~40V~50Hz | |
| IP Rating | IPX2 | |
| Plastic Material | ABS | |
| Appliance Class | □ | |
| Climate Class | T | |
| PCS/CTN | 40PCS/CTN | 30PCS/CTN |
| Carton Dims (LxWxH cm) | 44x22.5x57 | 48.5x32.5x67.5 |