

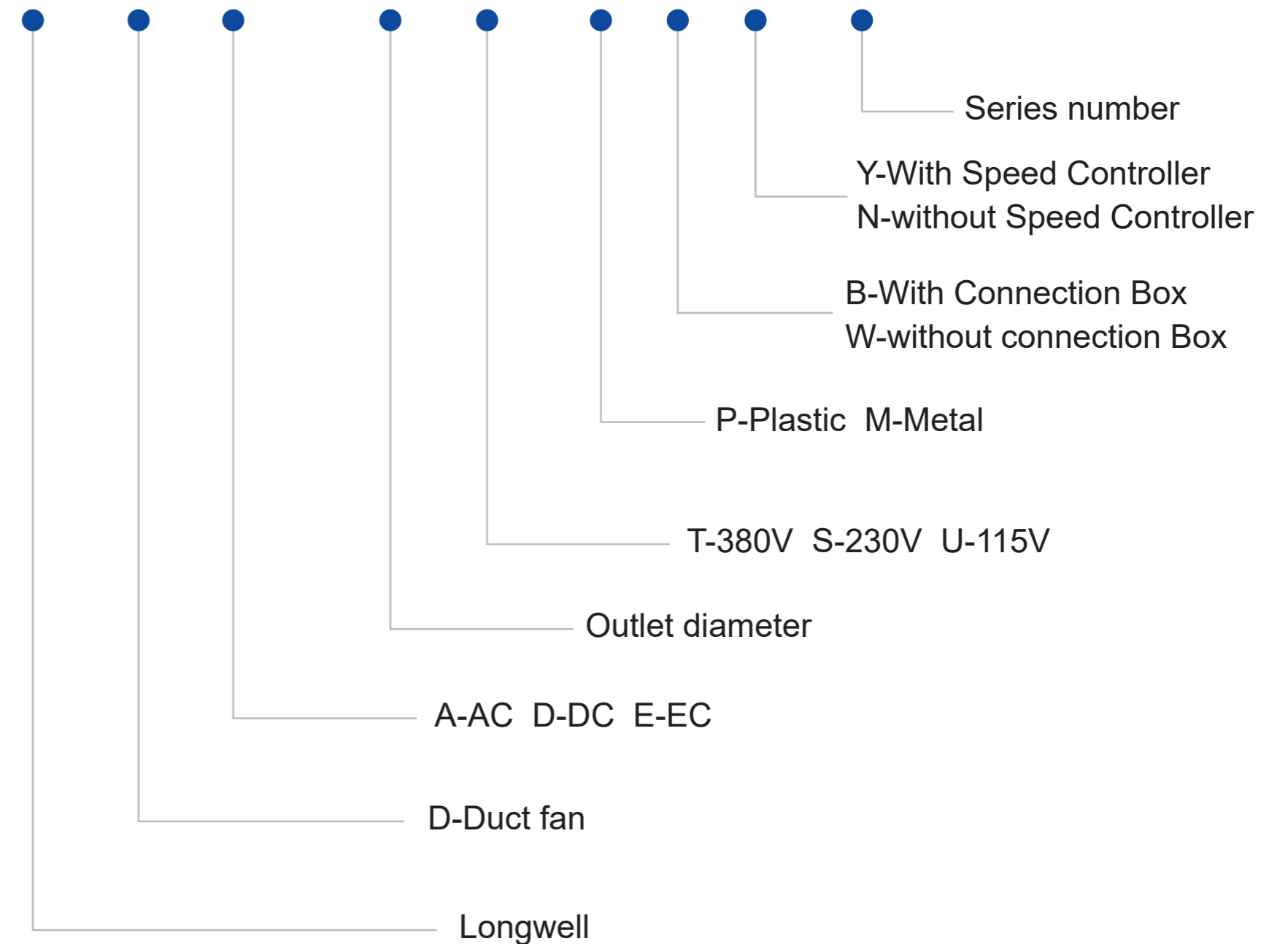
Super Silence Duct Fan

Professional HVAC Fan & Motors Manufacturer



Type Code

LW D E - 100 S - M B N - 10



Super Silence Duct Fan

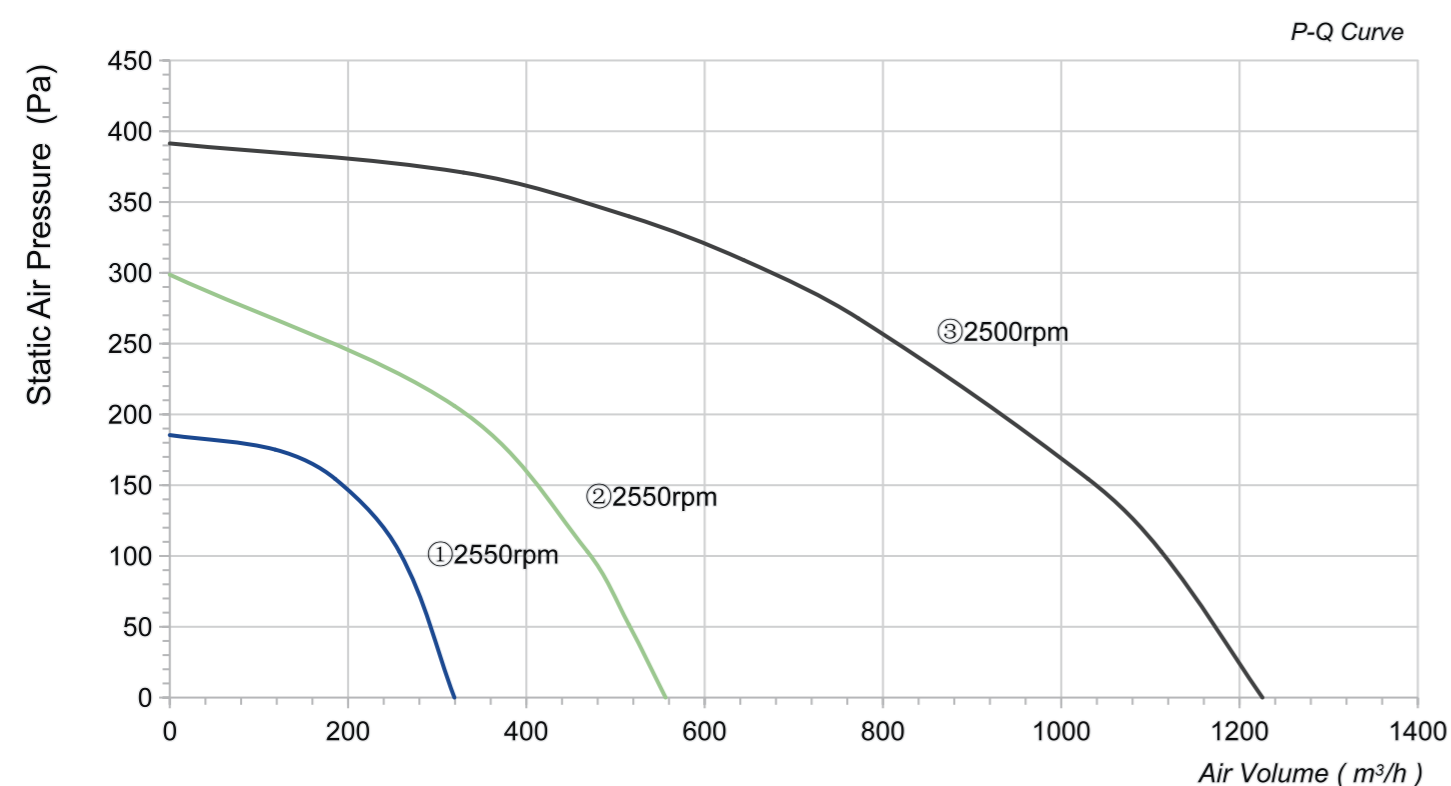
Product Characteristic

- Material: Plastic
- Motor Type: AC External Rotor Motor
- Operation Temperature : - 20 °C ~ +50 °C

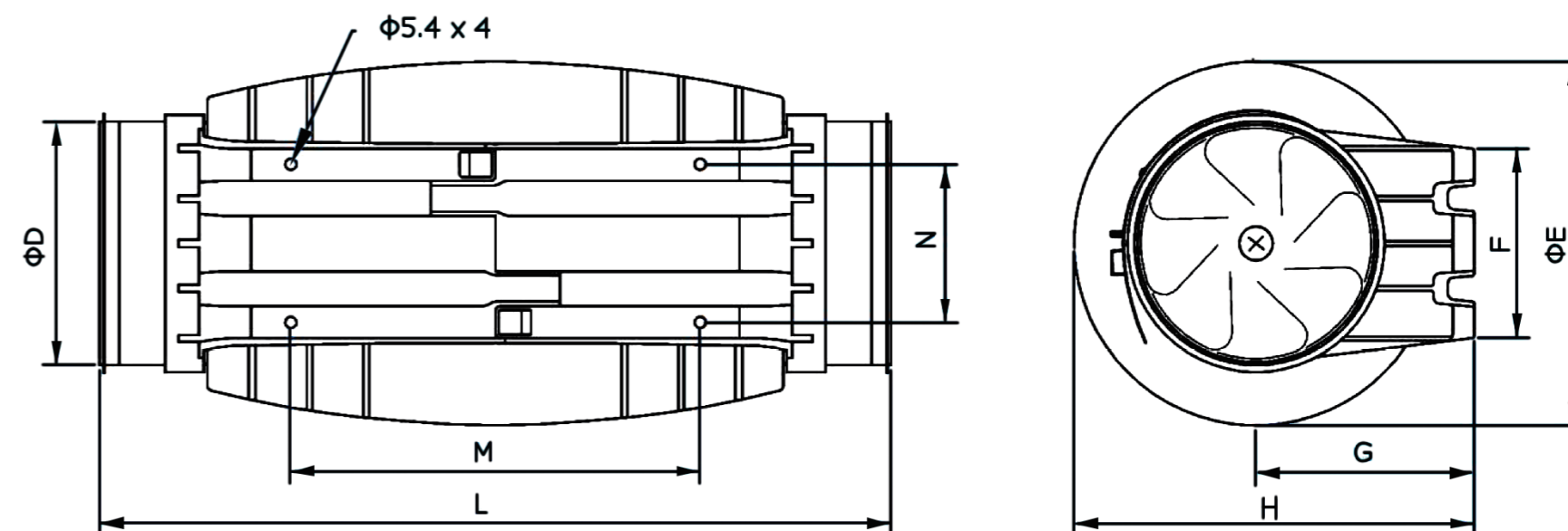


Technical Specifications

Model	Voltage (V)	Frequency (Hz)	Power (W)	Speed (RPM)	Air Flow (m³/h)	Noise (dBA)	Pressure (Pa)	Curve
LWDA-100S-PWN-15	230	50	40	2550	319	25	185	①
LWDA-125S-PWN-11	230	50	40	2550	319	25	185	①
LWDA-150S-PWN-13	230	60	80	2550	556	43	309	②
LWDA-200S-PWN-14	230	60	130	2500	1236	50	391	③



Product Drawing (mm)



Model	D	E	F	G	H	L	M	N
LWDA-100S-PWN-15	97	194	100	118	215	528	250	83
LWDA-125S-PWN-11	123	194	100	118	215	528	250	83
LWDA-150S-PWN-13	147	228	116	137	248	476	250	96
LWDA-200S-PWN-14	197	264	145	160	292	544	340	129