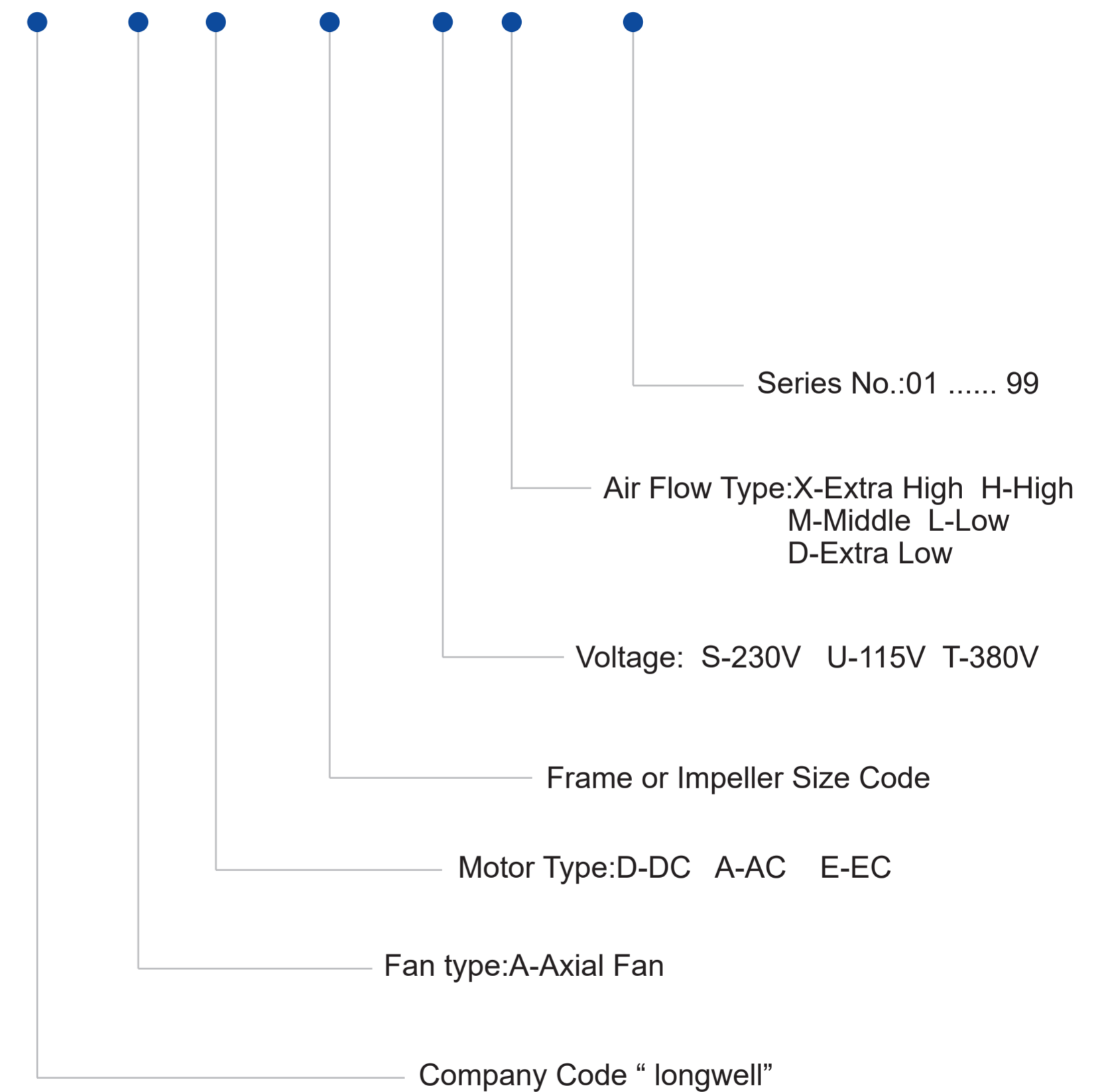


# AC Cooling Fan

Professional HVAC Fan & Motors Manufacturer

## Type Code

LW A A 6025 S H - 01



# LWAA6025 Series

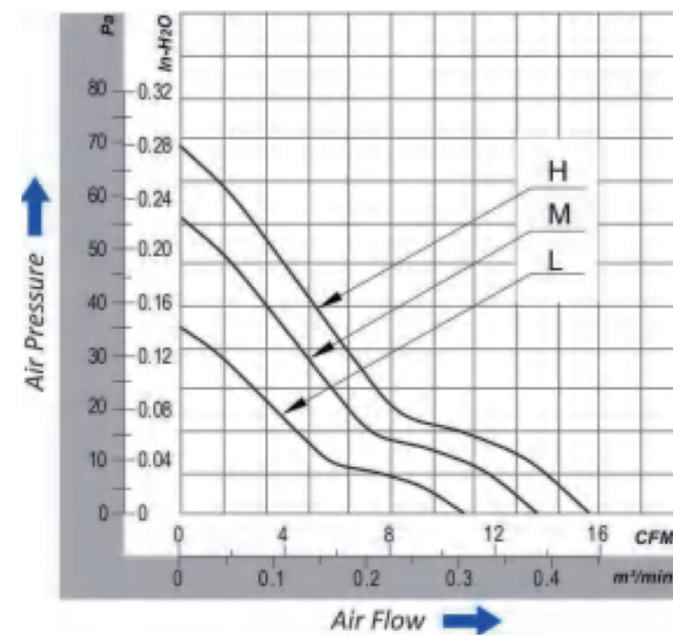
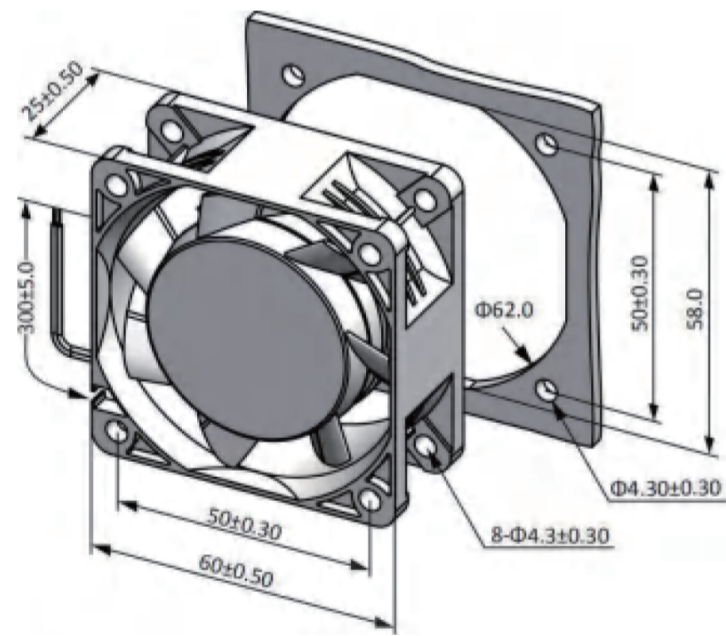
## Product Characteristic

- Motor Protection: AF series fans have auto restart function
- Fan Specials: RD; FG; PWM; IP54; AS
- Material: Frame: Plastic (UL94V-0), Impeller: Plastic (UL94V-0)  
Lead Wire: UL1007AWG#24 300mm or Terminal
- Expected life: Ball Bearing 70,000hrs at 40°C (approximately 6 years)
- Dielectric Strength: 50/60Hz 1500 VAC 1min (Between input terminal and frame)
- Temperature Range: Operating temperature -20°C ~ 70°C (Non-condensing) Storage temperature -40°C ~ 70°C (Non-condensing)
- Input Voltage: A rated voltage range of 100V~240V (50/60Hz) AC&DC, Rotation speed remains constant even at different input voltages

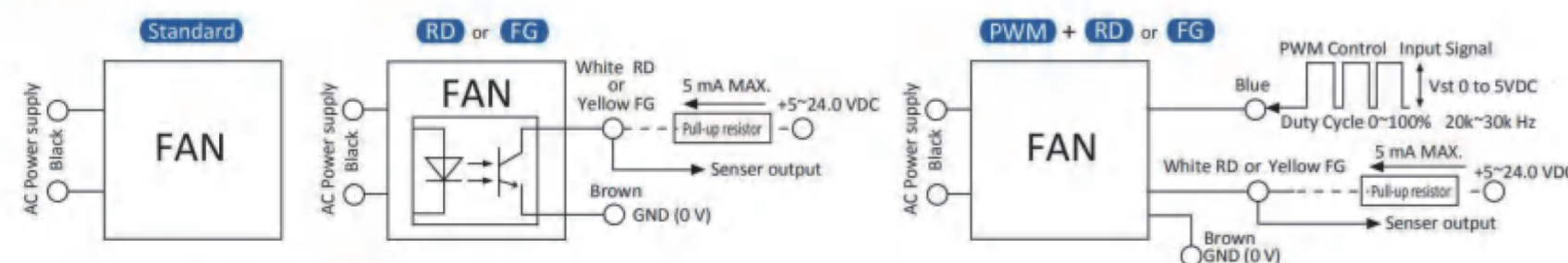


## Technical Specifications

Model	Bearing Type	Voltage (V)	Current (A)	Power (Watt)	Speed (RPM)	Max Air Flow (CFM) (m³/min)	Static Pressure (Inch-H₂O) (Pa)	Noise [dB(A)]	Weight (g)
LWAA6025SH-01	B	100~240	0.06	2.3	4500	15.74 0.45	0.28 70.2	31	72
LWAA6025SM-02	B	100~240	0.05	1.7	4000	13.57 0.38	0.21 53.42	27	72
LWAA6025SL-03	B	100~240	0.04	1.4	3500	11.32 0.32	0.16 39.84	24	72



## Wiring Diagram



Note: Standard AF fan have two lead wire or Terminal.  
RD or FG, have 4 lead wires. RD is White color, FG is Yellow color, Brown is Ground  
PWM with RD or FG signal have 5 lead wires, PWM is Blue color, Brown is Ground

# LWAA8025 Series

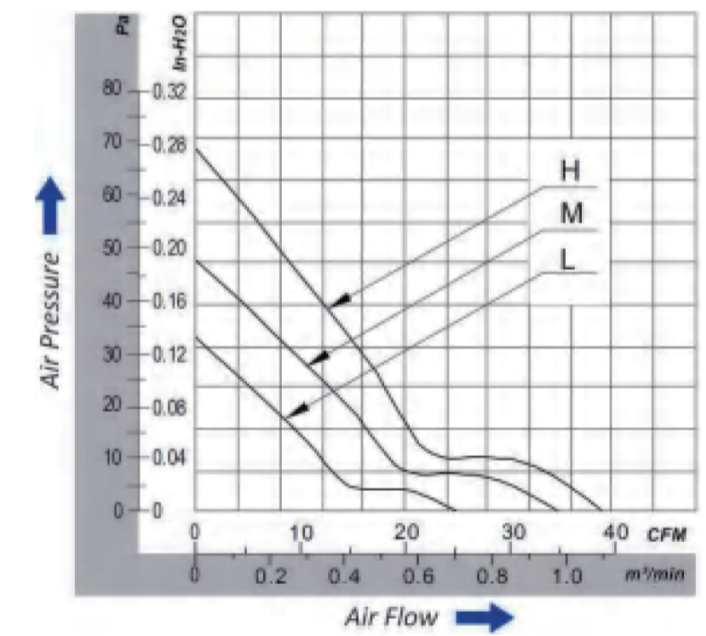
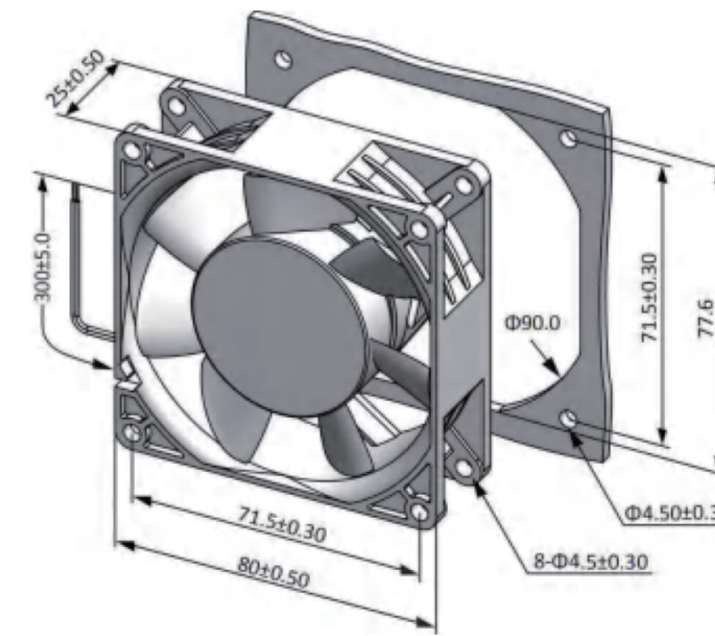
## Product Characteristic

- Motor Protection: AF series fans have auto restart function
- Fan Specials: RD; FG; PWM; IP54; AS
- Material: Frame: Plastic (UL94V-0), Impeller: Plastic (UL94V-0)  
Lead Wire: UL1007AWG#24 300mm or Terminal
- Expected life: Ball Bearing 70,000hrs at 40°C (approximately 6 years)
- Dielectric Strength: 50/60Hz 1500 VAC 1min (Between input terminal and frame)
- Temperature Range: Operating temperature -20°C ~ 70°C (Non-condensing) Storage temperature -40°C ~ 70°C (Non-condensing)
- Input Voltage: A rated voltage range of 100V~240V (50/60Hz) AC&DC, Rotation speed remains constant even at different input voltages

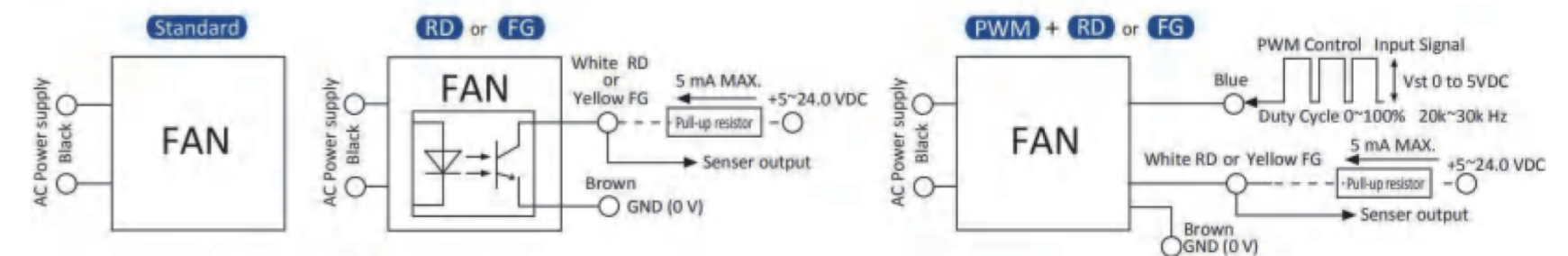


## Technical Specifications

Model	Bearing Type	Voltage (V)	Current (A)	Power (Watt)	Speed (RPM)	Max Air Flow (CFM) (m³/min)	Static Pressure (Inch-H₂O) (Pa)	Noise [dB(A)]	Weight (g)
LWAA8025SH-01	B	100~240	0.06	4.5	4500	39.84 1.13	0.27 67.16	31	95
LWAA8025SM-02	B	100~240	0.05	2.4	4000	33.06 0.94	0.19 46.35	27	95
LWAA8025SL-03	B	100~240	0.04	1.6	3500	23.79 0.74	0.13 32.23	24	95



## Wiring Diagram



Note: Standard AF fan have two lead wire or Terminal.  
RD or FG, have 4 lead wires. RD is White color, FG is Yellow color, Brown is Ground  
PWM with RD or FG signal have 5 lead wires, PWM is Blue color, Brown is Ground

# LWAA8038 Series

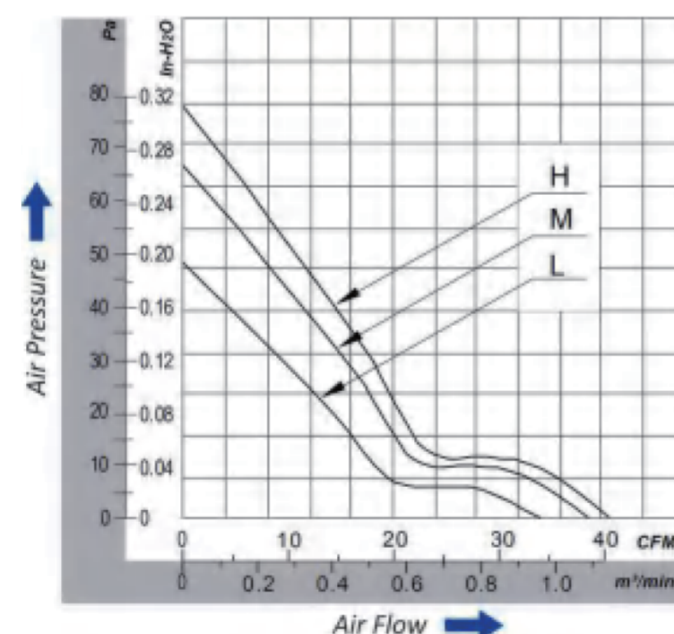
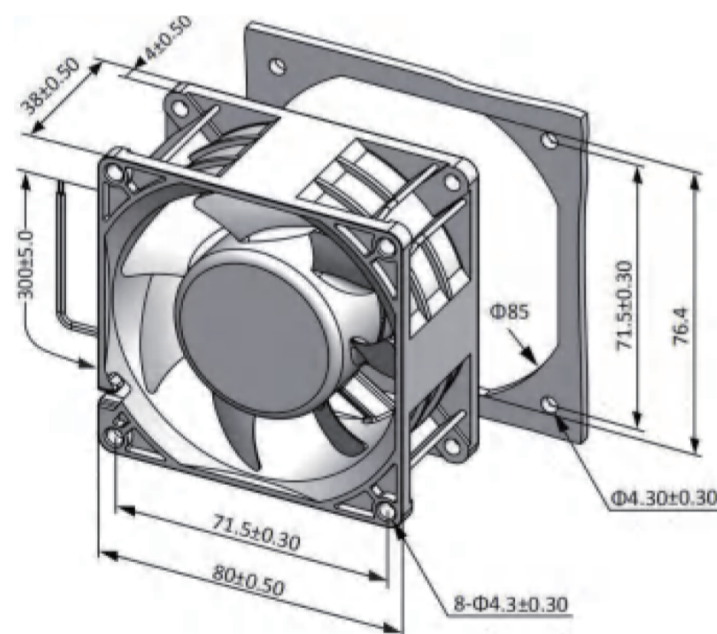
## Product Characteristic

- Motor Protection: AF series fans have auto restart function
- Fan Specials: RD; FG; PWM; IP54; AS
- Material: Frame: Plastic (UL94V-0), Impeller: Plastic (UL94V-0)  
Lead Wire: UL1007AWG#24 300mm or Terminal
- Expected life: Ball Bearing 70,000hrs at 40°C (approximately 6 years)
- Dielectric Strength: 50/60Hz 1500 VAC 1min (Between input terminal and frame)
- Temperature Range: Operating temperature -20°C ~ 70°C (Non-condensing) Storage temperature -40°C ~ 70°C (Non-condensing)
- Input Voltage: A rated voltage range of 100V~240V (50/60Hz) AC&DC, Rotation speed remains constant even at different input voltages

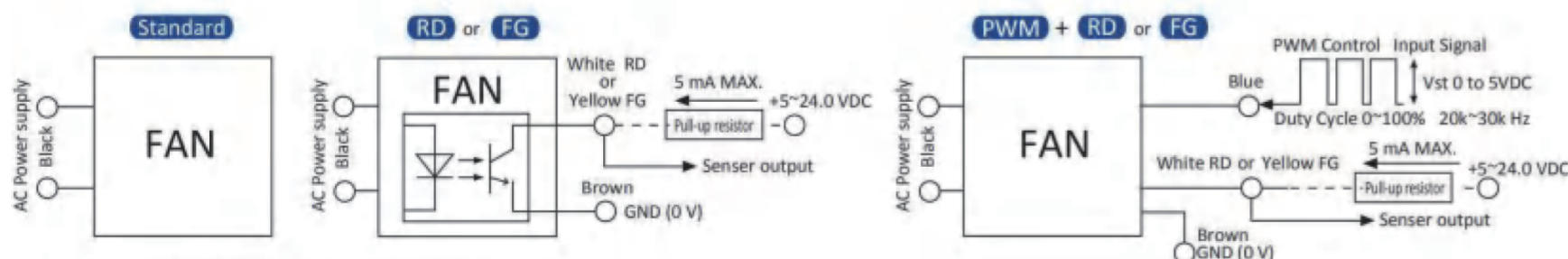


## Technical Specifications

Model	Bearing Type	Voltage (V)	Current (A)	Power (Watt)	Speed (RPM)	Max Air Flow (CFM) (m³/min)	Static Pressure (Inch-H <sub>2</sub> O) (Pa)	Noise [dB(A)]	Weight (g)
LWAA8038SH-01	B	100~240	0.09	5.5	4000	41.78 1.18	0.31 77.18	31	105
LWAA8038SM-02	B	100~240	0.06	3.2	3500	38.86 1.1	0.27 67.05	27	105
LWAA8038SL-03	B	100~240	0.04	2.7	3000	34.26 0.97	0.19 47.65	24	105



## Wiring Diagram



Note: Standard AF fan have two lead wire or Terminal.  
RD or FG, have 4 lead wires. RD is White color, FG is Yellow color, Brown is Ground  
PWM with RD or FG signal have 5 lead wires, PWM is Blue color, Brown is Ground

# LWAA9225 Series

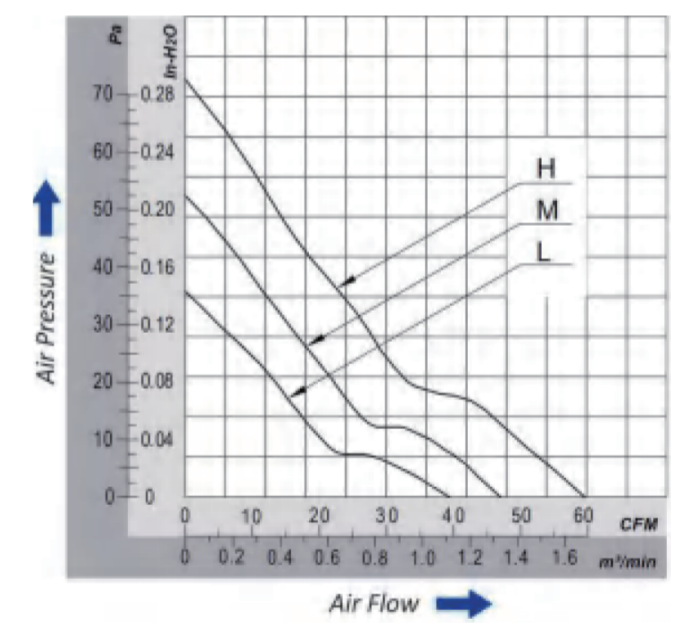
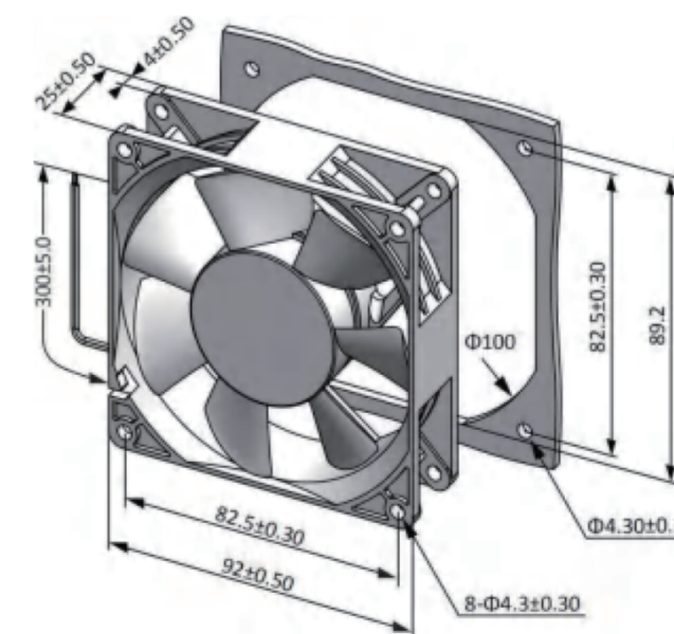
## Product Characteristic

- Motor Protection: AF series fans have auto restart function
- Fan Specials: RD; FG; PWM; IP54; AS
- Material: Frame: Plastic (UL94V-0), Impeller: Plastic (UL94V-0)  
Lead Wire: UL1007AWG#24 300mm or Terminal
- Expected life: Ball Bearing 70,000hrs at 40°C (approximately 6 years)
- Dielectric Strength: 50/60Hz 1500 VAC 1min (Between input terminal and frame)
- Temperature Range: Operating temperature -20°C ~ 70°C (Non-condensing) Storage temperature -40°C ~ 70°C (Non-condensing)
- Input Voltage: A rated voltage range of 100V~240V (50/60Hz) AC&DC, Rotation speed remains constant even at different input voltages

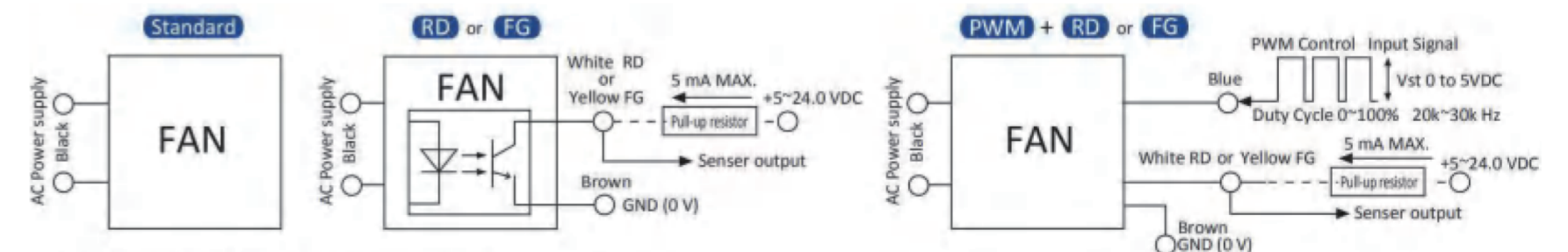


## Technical Specifications

Model	Bearing Type	Voltage (V)	Current (A)	Power (Watt)	Speed (RPM)	Max Air Flow (CFM) (m³/min)	Static Pressure (Inch-H <sub>2</sub> O) (Pa)	Noise [dB(A)]	Weight (g)
LWAA9225SH-01	B	100~240	0.06	6.3	3500	59.9 1.7	0.3 73.84	31	103
LWAA9225SM-02	B	100~240	0.05	3.7	3000	49.41 1.4	0.21 52.28	27	103
LWAA9225SL-03	B	100~240	0.04	1.9	2500	39.52 1.12	0.14 35.9	24	103



## Wiring Diagram



Note: Standard AF fan have two lead wire or Terminal.  
RD or FG, have 4 lead wires. RD is White color, FG is Yellow color, Brown is Ground  
PWM with RD or FG signal have 5 lead wires, PWM is Blue color, Brown is Ground

# LWAA9238 Series

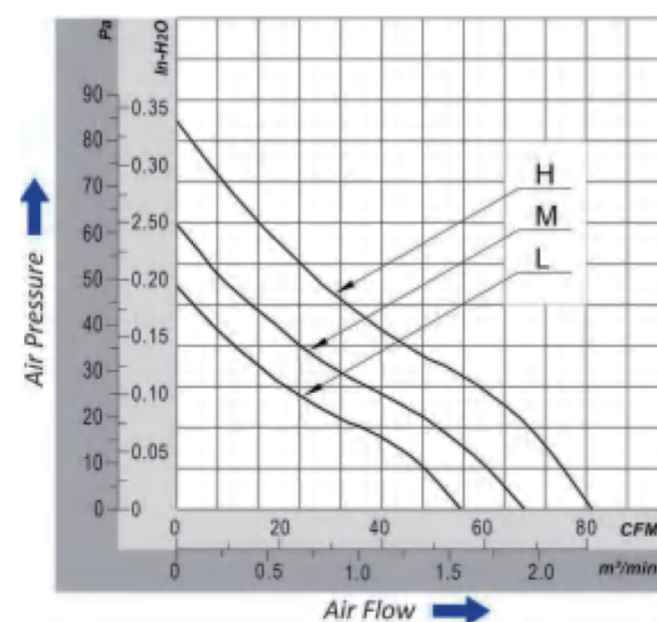
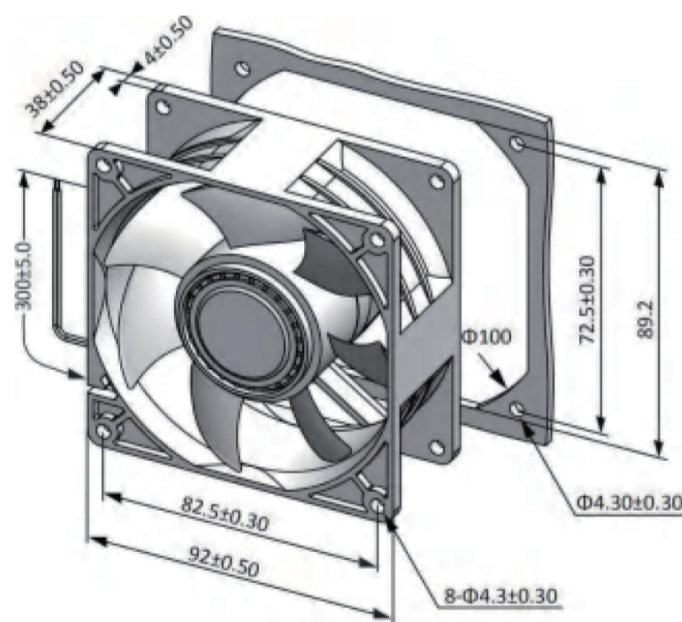
## Product Characteristic

- Motor Protection: AF series fans have auto restart function
- Fan Specials: RD; FG; PWM; IP54; AS
- Material: Frame: Plastic (UL94V-0), Impeller: Plastic (UL94V-0)  
Lead Wire: UL1007AWG#24 300mm or Terminal
- Expected life: Ball Bearing 70,000hrs at 40°C (approximately 6 years)
- Dielectric Strength: 50/60Hz 1500 VAC 1min (Between input terminal and frame)
- Temperature Range: Operating temperature -20°C ~ 70°C (Non-condensing) Storage temperature -40°C ~ 70°C (Non-condensing)
- Input Voltage: A rated voltage range of 100V~240V (50/60Hz) AC&DC, Rotation speed remains constant even at different input voltages

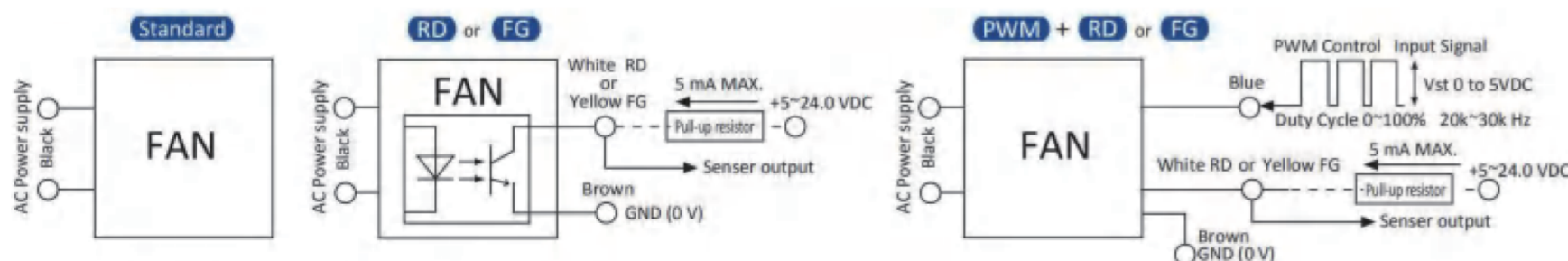


## Technical Specifications

Model	Bearing Type	Voltage (V)	Current (A)	Power (Watt)	Speed (RPM)	Max Air Flow (CFM) (m³/min)	Static Pressure (Inch-H₂O) (Pa)	Noise [dB(A)]	Weight (g)
LWAA9238SH-01	B	100~240	0.11	5.5	3500	82.19 2.33	0.34 84.41	52	177
LWAA9238SM-02	B	100~240	0.06	2.8	3000	67.01 1.9	0.25 61.98	49	177
LWAA9238SL-03	B	100~240	0.05	2.2	2500	59.73 1.69	0.2 49.05	42	177



## Wiring Diagram



Note: Standard AF fan have two lead wire or Terminal.  
RD or FG, have 4 lead wires. RD is White color, FG is Yellow color, Brown is Ground  
PWM with RD or FG signal have 5 lead wires, PWM is Blue color, Brown is Ground

# LWAA12025 Series

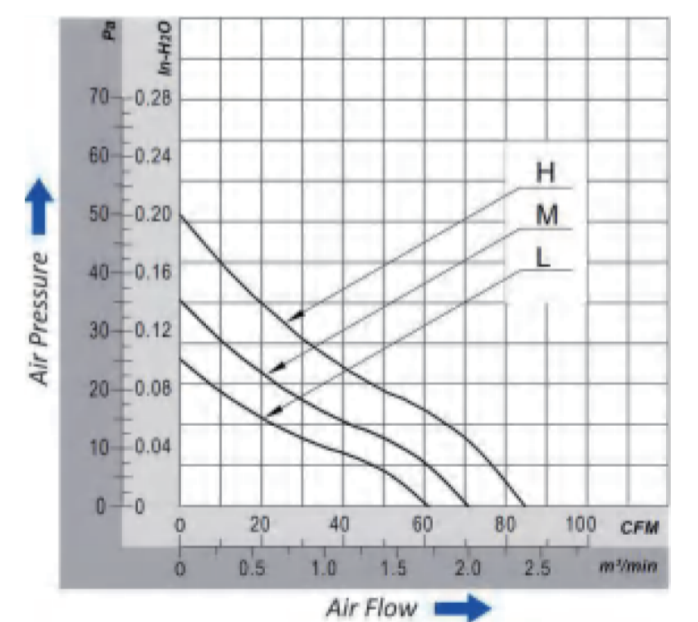
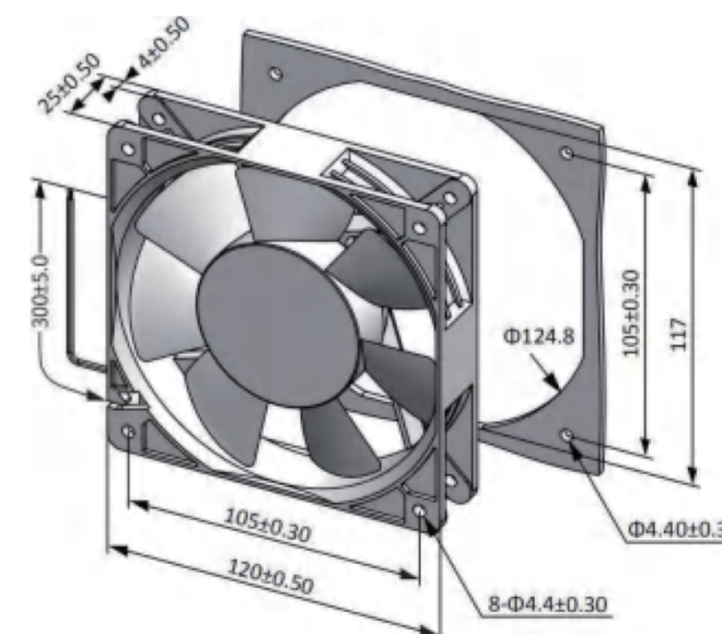
## Product Characteristic

- Motor Protection: AF series fans have auto restart function
- Fan Specials: RD; FG; PWM; IP54; AS
- Material: Frame: Plastic (UL94V-0), Impeller: Plastic (UL94V-0)  
Lead Wire: UL1007AWG#24 300mm or Terminal
- Expected life: Ball Bearing 70,000hrs at 40°C (approximately 6 years)
- Dielectric Strength: 50/60Hz 1500 VAC 1min (Between input terminal and frame)
- Temperature Range: Operating temperature -20°C ~ 70°C (Non-condensing) Storage temperature -40°C ~ 70°C (Non-condensing)
- Input Voltage: A rated voltage range of 100V~240V (50/60Hz) AC&DC, Rotation speed remains constant even at different input voltages

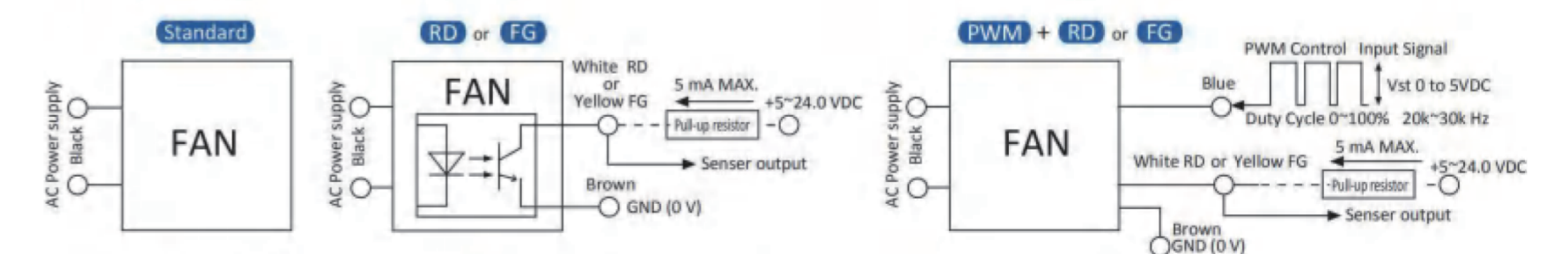


## Technical Specifications

Model	Bearing Type	Voltage (V)	Current (A)	Power (Watt)	Speed (RPM)	Max Air Flow (CFM) (m³/min)	Static Pressure (Inch-H₂O) (Pa)	Noise [dB(A)]	Weight (g)
LWAA12025SH-01	B	100~240	0.1	6	3000	85.56 2.42	0.21 51.53	39.6	147
LWAA12025SM-02	B	100~240	0.08	3.8	2600	71.45 2.02	0.15 36.65	36.5	147
LWAA12025SL-03	B	100~240	0.06	2.4	2200	60.93 1.73	0.11 27.38	32.9	147



## Wiring Diagram



Note: Standard AF fan have two lead wire or Terminal.  
RD or FG, have 4 lead wires. RD is White color, FG is Yellow color, Brown is Ground  
PWM with RD or FG signal have 5 lead wires, PWM is Blue color, Brown is Ground

# LWAA12038 Series

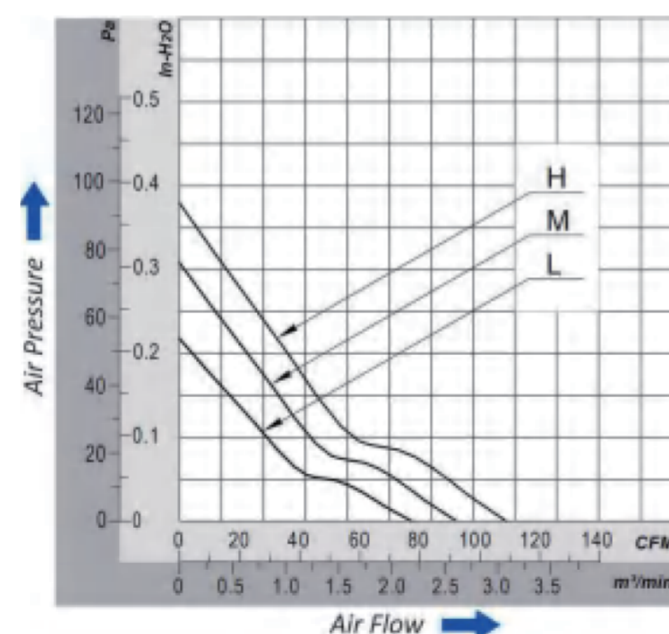
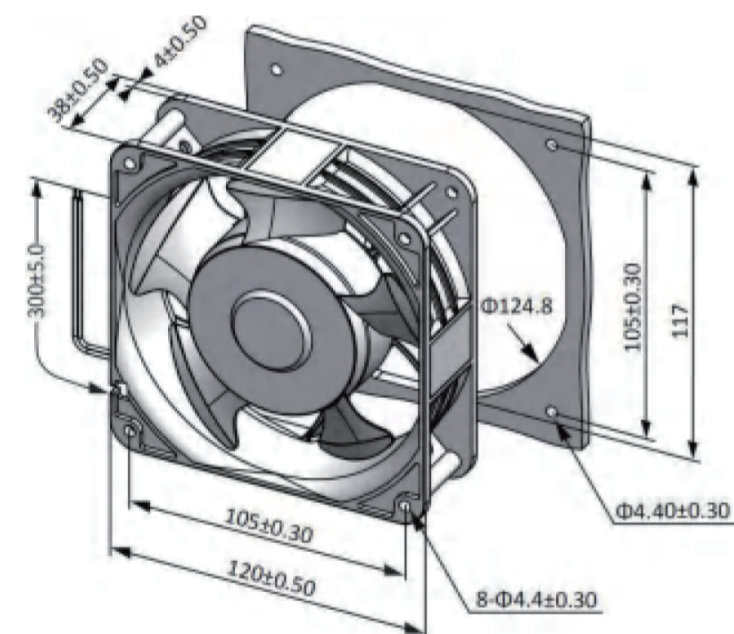
## Product Characteristic

- Motor Protection: AF series fans have auto restart function
- Fan Specials: RD; FG; PWM; IP54; AS
- Material: Frame: Plastic (UL94V-0), Impeller: Plastic (UL94V-0)  
Lead Wire: UL1007AWG#24 300mm or Terminal
- Expected life: Ball Bearing 70,000hrs at 40°C (approximately 6 years)
- Dielectric Strength: 50/60Hz 1500 VAC 1min (Between input terminal and frame)
- Temperature Range: Operating temperature -20°C ~ 70°C (Non-condensing) Storage temperature -40°C ~ 70°C (Non-condensing)
- Input Voltage: A rated voltage range of 100V~240V (50/60Hz) AC&DC, Rotation speed remains constant even at different input voltages

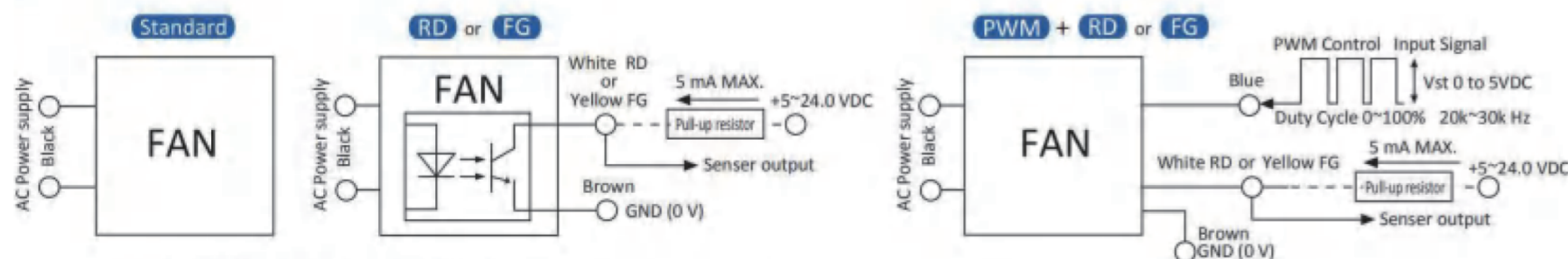


## Technical Specifications

Model	Bearing Type	Voltage (V)	Current (A)	Power (Watt)	Speed (RPM)	Max Air Flow (CFM) (m³/min)	Static Pressure (Inch-H₂O) (Pa)	Noise [dB(A)]	Weight (g)
LWAA12038SH-01	B	100~240	0.18	9.5	3200	108.21 3.06	0.37 90.98	47	500
LWAA12038SM-02	B	100~240	0.12	6.2	2800	91.03 2.58	0.3 73.74	43	500
LWAA12038SL-03	B	100~240	0.08	4.2	2400	77 2.18	0.22 54.33	40	500



## Wiring Diagram



Note: Standard AF fan have two lead wire or Terminal.  
RD or FG, have 4 lead wires. RD is White color, FG is Yellow color, Brown is Ground  
PWM with RD or FG signal have 5 lead wires, PWM is Blue color, Brown is Ground

# LWAA12038 Series

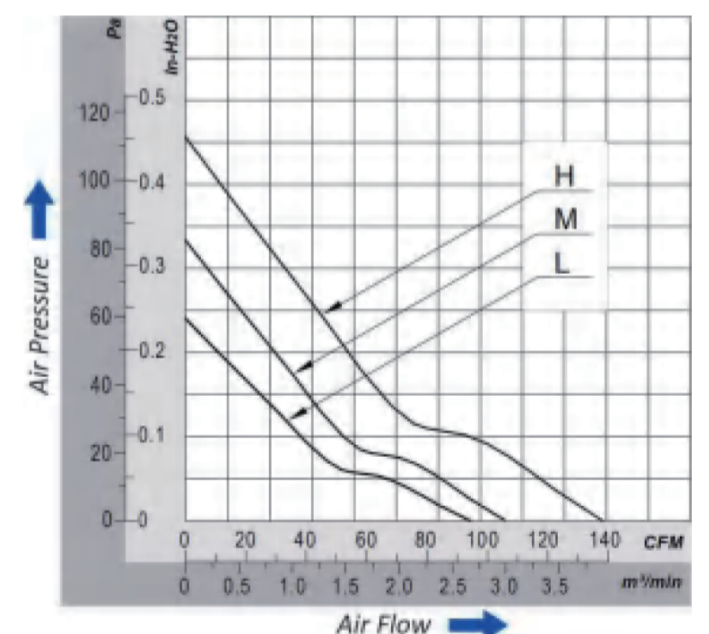
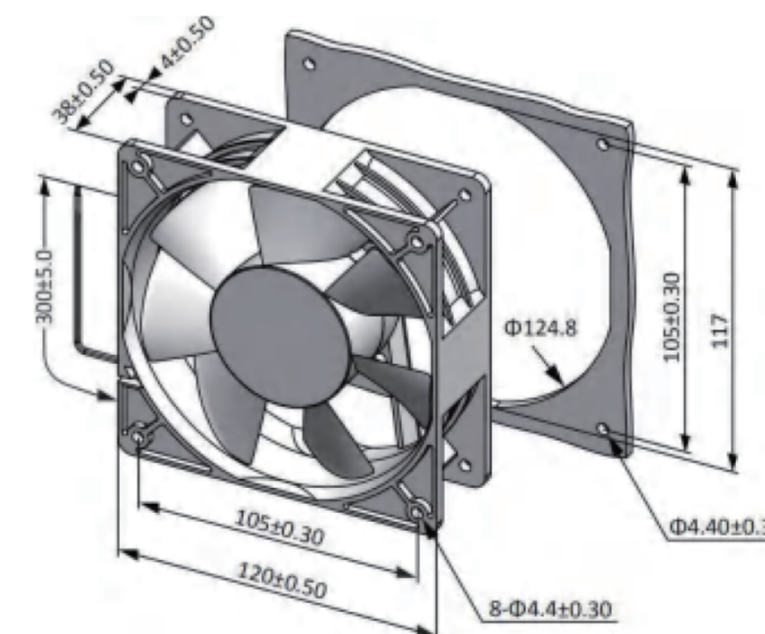
## Product Characteristic

- Motor Protection: AF series fans have auto restart function
- Fan Specials: RD; FG; PWM; IP54; AS
- Material: Frame: Plastic (UL94V-0), Impeller: Plastic (UL94V-0)  
Lead Wire: UL1007AWG#24 300mm or Terminal
- Expected life: Ball Bearing 70,000hrs at 40°C (approximately 6 years)
- Dielectric Strength: 50/60Hz 1500 VAC 1min (Between input terminal and frame)
- Temperature Range: Operating temperature -20°C ~ 70°C (Non-condensing) Storage temperature -40°C ~ 70°C (Non-condensing)
- Input Voltage: A rated voltage range of 100V~240V (50/60Hz) AC&DC, Rotation speed remains constant even at different input voltages

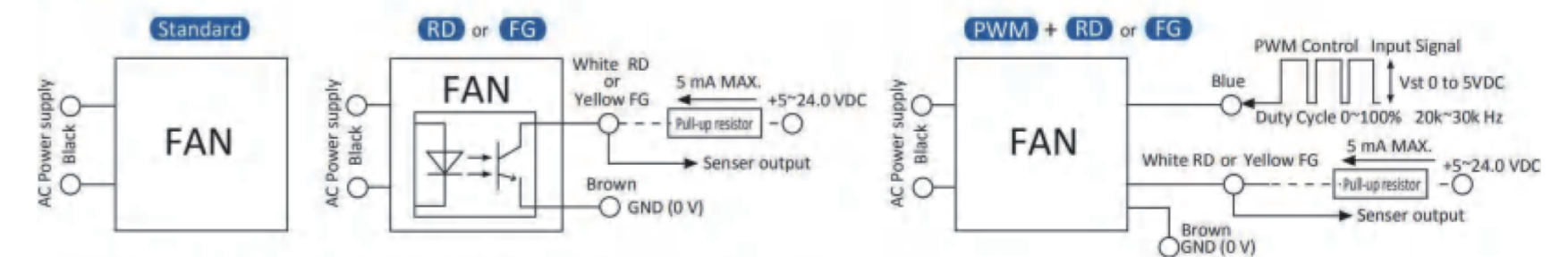


## Technical Specifications

Model	Bearing Type	Voltage (V)	Current (A)	Power (Watt)	Speed (RPM)	Max Air Flow (CFM) (m³/min)	Static Pressure (Inch-H₂O) (Pa)	Noise [dB(A)]	Weight (g)
LWAA12038SH-04	B	100~240	0.18	9.5	3500	139.1 3.94	0.45 111.47	47	540
LWAA12038SM-05	B	100~240	0.12	6.2	3000	115.01 3.26	0.32 80.53	43	540
LWAA12038SL-06	B	100~240	0.08	4.2	2500	94.72 2.68	0.24 59.07	40	540



## Wiring Diagram



Note: Standard AF fan have two lead wire or Terminal.  
RD or FG, have 4 lead wires. RD is White color, FG is Yellow color, Brown is Ground  
PWM with RD or FG signal have 5 lead wires, PWM is Blue color, Brown is Ground

# LWAA17251 Series

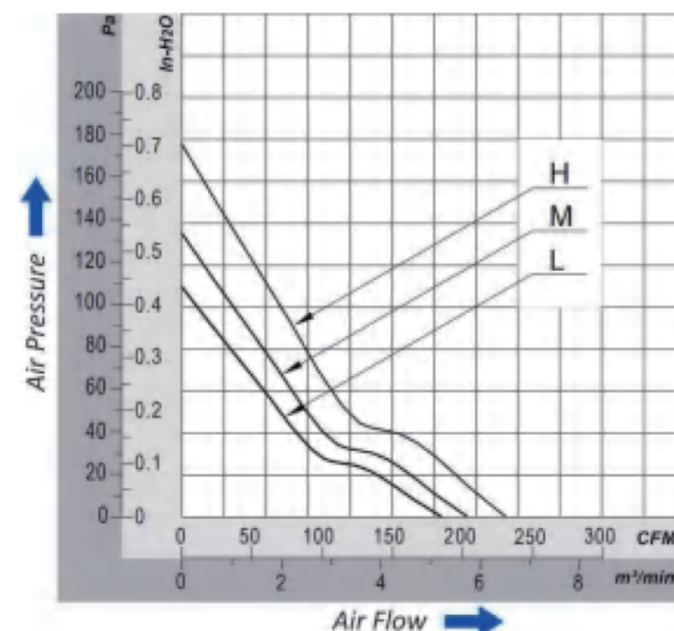
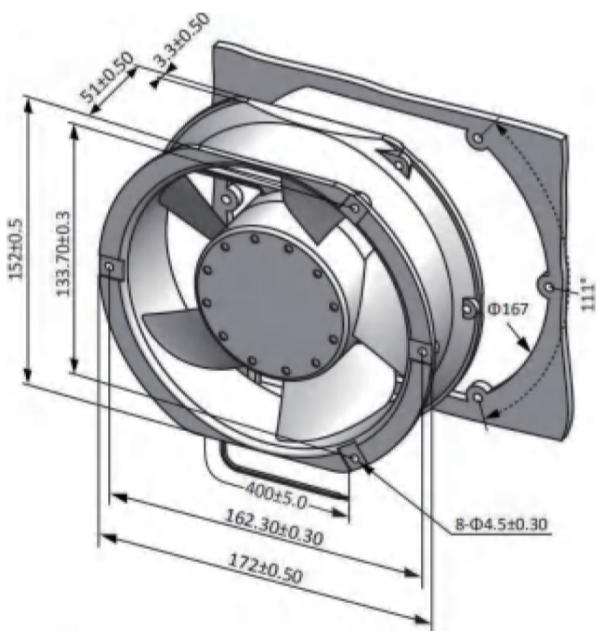
## Product Characteristic

- Motor Protection: AF series fans have auto restart function
- Fan Specials: RD; FG; PWM; IP54; AS
- Material: Frame: Aluminum (UL94V-0), Impeller: Plastic (UL94V-0)  
Lead Wire: UL1007AWG#22 400mm or Terminal
- Expected life: Ball Bearing 50,000hrs at 40°C (approximately 6 years)
- Dielectric Strength: 50/60Hz 1500 VAC 1min (Between input terminal and frame)
- Temperature Range: Operating temperature -20°C ~ 70°C (Non-condensing) Storage temperature -40°C ~ 70°C (Non-condensing)
- Input Voltage: A rated voltage range of 100V~240V (50/60Hz) AC&DC, Rotation speed remains constant even at different input voltages

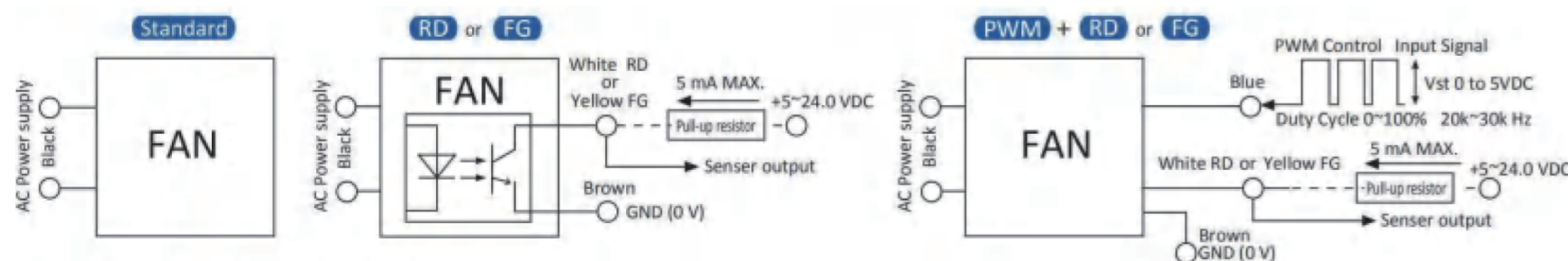


## Technical Specifications

Model	Bearing Type	Voltage (V)	Current (A)	Power (Watt)	Speed (RPM)	Max Air Flow (CFM) (m³/min)	Static Pressure (Inch-H₂O) (Pa)	Noise [dB(A)]	Weight (g)
LWAA17251SH-01	B	100~240	0.2	22.5	3200	237.16 6.72	0.71 176.9	56	740
LWAA17251SM-02	B	100~240	0.17	19	2800	205 5.81	0.54 133.89	51	740
LWAA17251SL-03	B	100~240	0.1	11	2400	183.34 5.19	0.44 108.55	45	740



## Wiring Diagram



Note: Standard AF fan have two lead wire or Terminal.  
RD or FG, have 4 lead wires. RD is White color, FG is Yellow color, Brown is Ground  
PWM with RD or FG signal have 5 lead wires, PWM is Blue color, Brown is Ground

# LWAA20060 Series

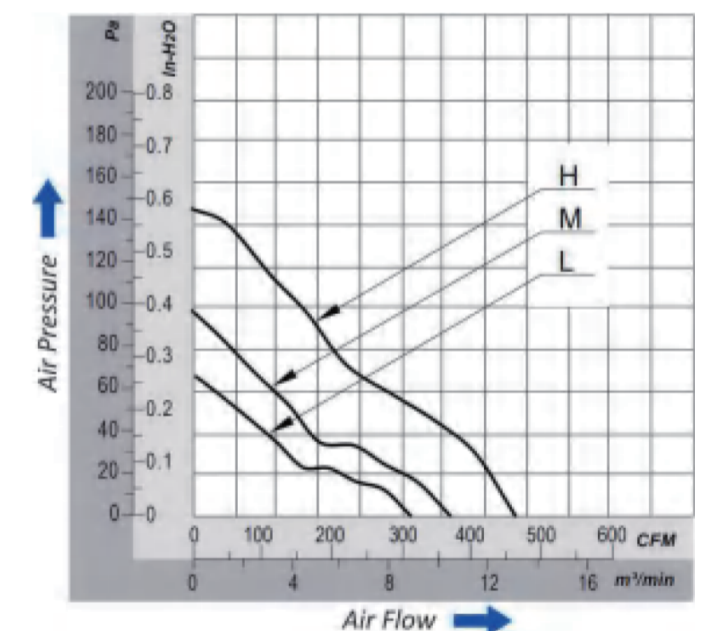
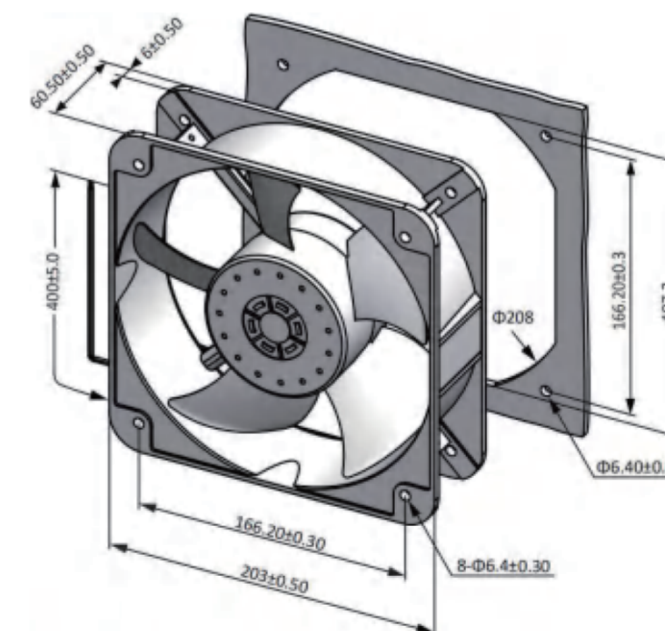
## Product Characteristic

- Motor Protection: AF series fans have auto restart function
- Fan Specials: RD; FG; PWM; IP54; AS
- Material: Frame: Plastic (UL94V-0), Impeller: Plastic (UL94V-0)  
Lead Wire: UL1007AWG#24 300mm or Terminal
- Expected life: Ball Bearing 70,000hrs at 40°C (approximately 6 years)
- Dielectric Strength: 50/60Hz 1500 VAC 1min (Between input terminal and frame)
- Temperature Range: Operating temperature -20°C ~ 70°C (Non-condensing) Storage temperature -40°C ~ 70°C (Non-condensing)
- Input Voltage: A rated voltage range of 100V~240V (50/60Hz) AC&DC, Rotation speed remains constant even at different input voltages

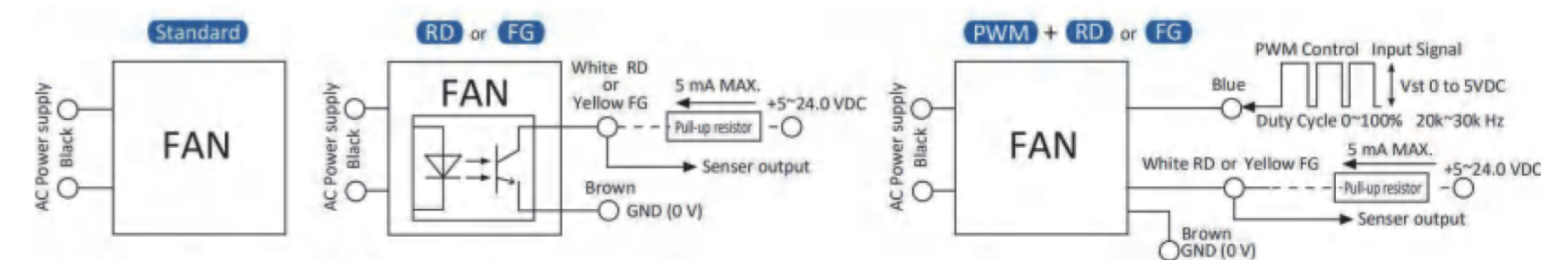


## Technical Specifications

Model	Bearing Type	Voltage (V)	Power (Watt)	Speed (RPM)	Max Air Flow (CFM) (m³/min)	Static Pressure (Inch-H₂O) (Pa)	Noise [dB(A)]	Weight (g)
LWAA20060SH-01	B	220	40	2600	474.97 13.45	0.57 143.08	61.7	1090
LWAA20060SM-02	B	220	20	2100	380.73 10.78	0.39 96.14	56.4	1090
LWAA20060SL-03	B	220	11	1600	303.51 8.59	0.25 62.92	49.8	1090



## Wiring Diagram



Note: Standard AF fan have two lead wire or Terminal.  
RD or FG, have 4 lead wires. RD is White color, FG is Yellow color, Brown is Ground  
PWM with RD or FG signal have 5 lead wires, PWM is Blue color, Brown is Ground

# LWAA25489 Series

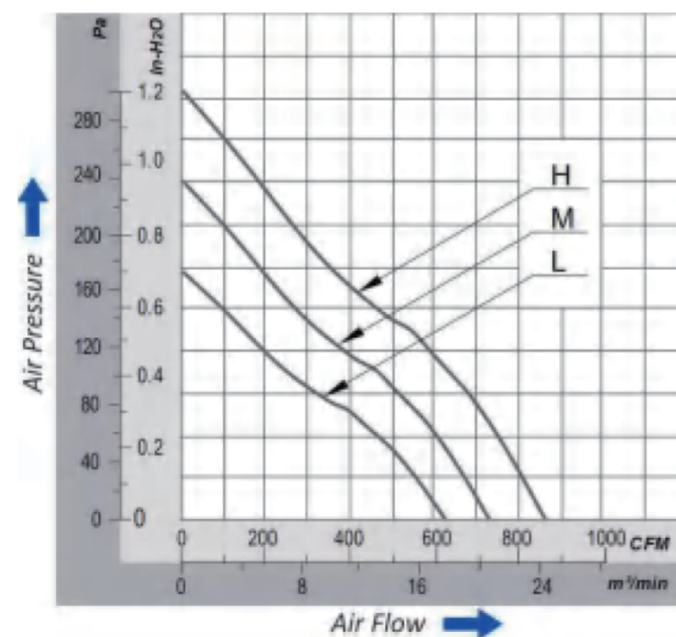
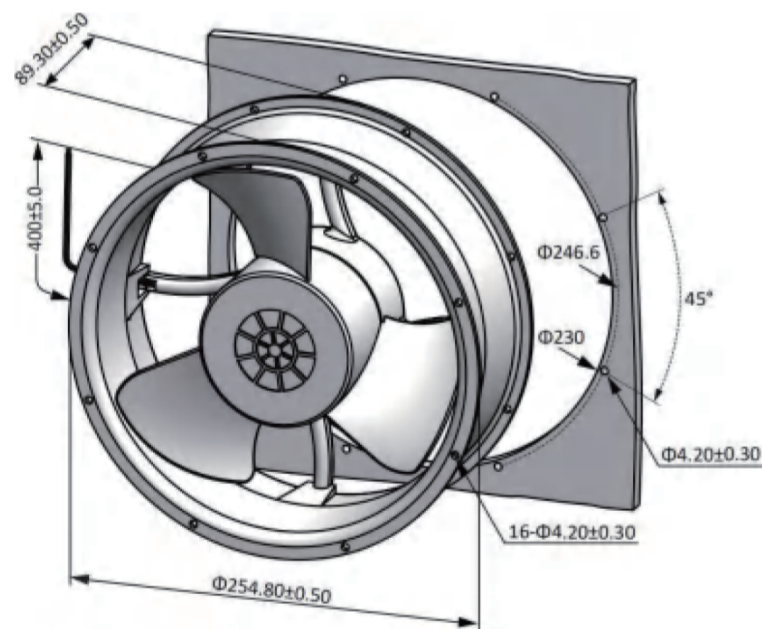
## Product Characteristic

- Motor Protection: AF series fans have auto restart function
- Fan Specials: RD; FG; PWM; IP54; AS
- Material: Frame: Aluminum (UL94V-0), Impeller: Plastic (UL94V-0)  
Lead Wire: UL1007AWG#20 400mm
- Expected life: Ball Bearing 50,000hrs at 40°C (approximately 6 years)
- Dielectric Strength: 50/60Hz 1500 VAC 1min (Between input terminal and frame)
- Temperature Range: Operating temperature -20°C ~ 70°C (Non-condensing) Storage temperature -40°C ~ 70°C (Non-condensing)
- Input Voltage: A rated voltage range of 100V~240V (50/60Hz) AC&DC, Rotation speed remains constant even at different input voltages

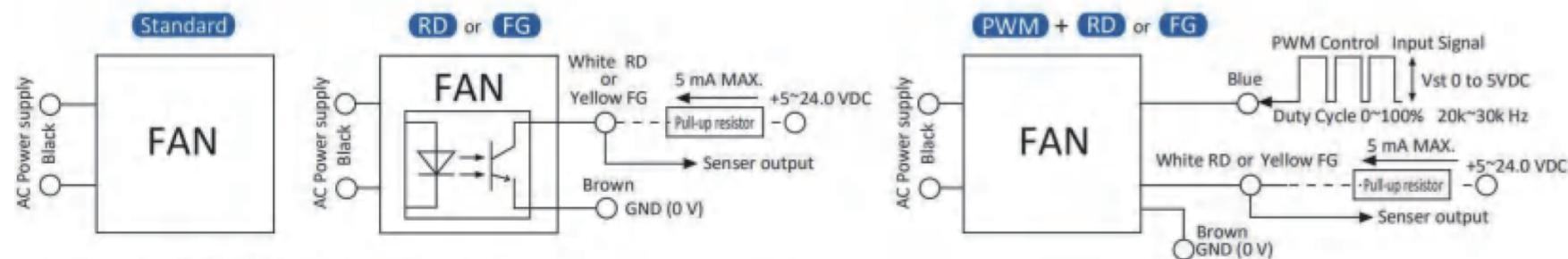


## Technical Specifications

Model	Bearing Type	Voltage (V)	Power (Watt)	Speed (RPM)	Max Air Flow (CFM) (m³/min)	Static Pressure (Inch-H <sub>2</sub> O) (Pa)	Noise [dB(A)]	Weight (g)
LWAA25489SH-01	B	220	76	2600	890 25.21	1.01 251.58	68	2140
LWAA25489SM-02	B	220	50	2100	718.85 20.36	0.82 204.25	55	2140
LWAA25489SL-03	B	220	32	1600	547.69 15.51	0.62 154.44	42	2140



## Wiring Diagram



Note: Standard AF fan have two lead wire or Terminal.

RD or FG, have 4 lead wires. RD is White color, FG is Yellow color, Brown is Ground

PWM with RD or FG signal have 5 lead wires, PWM is Blue color, Brown is Ground