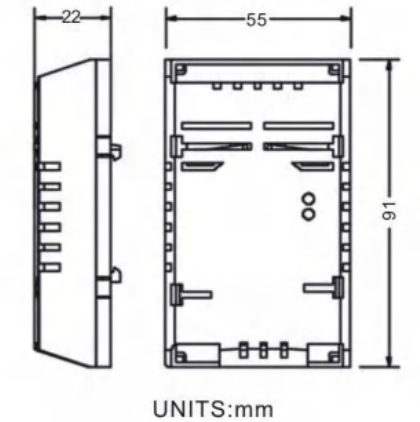
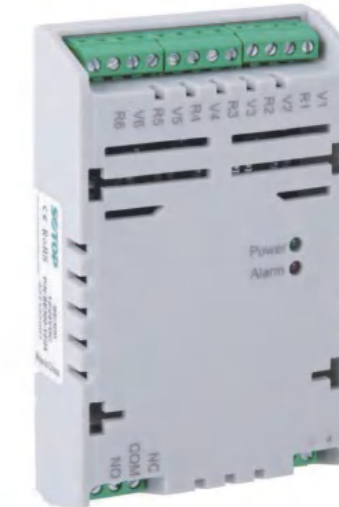


RD Signal Alarm Module

Product Characteristic

- Large setting range
- Change-over contacy
- High switching performance
- Easily accessible terminals
- Clip fixing

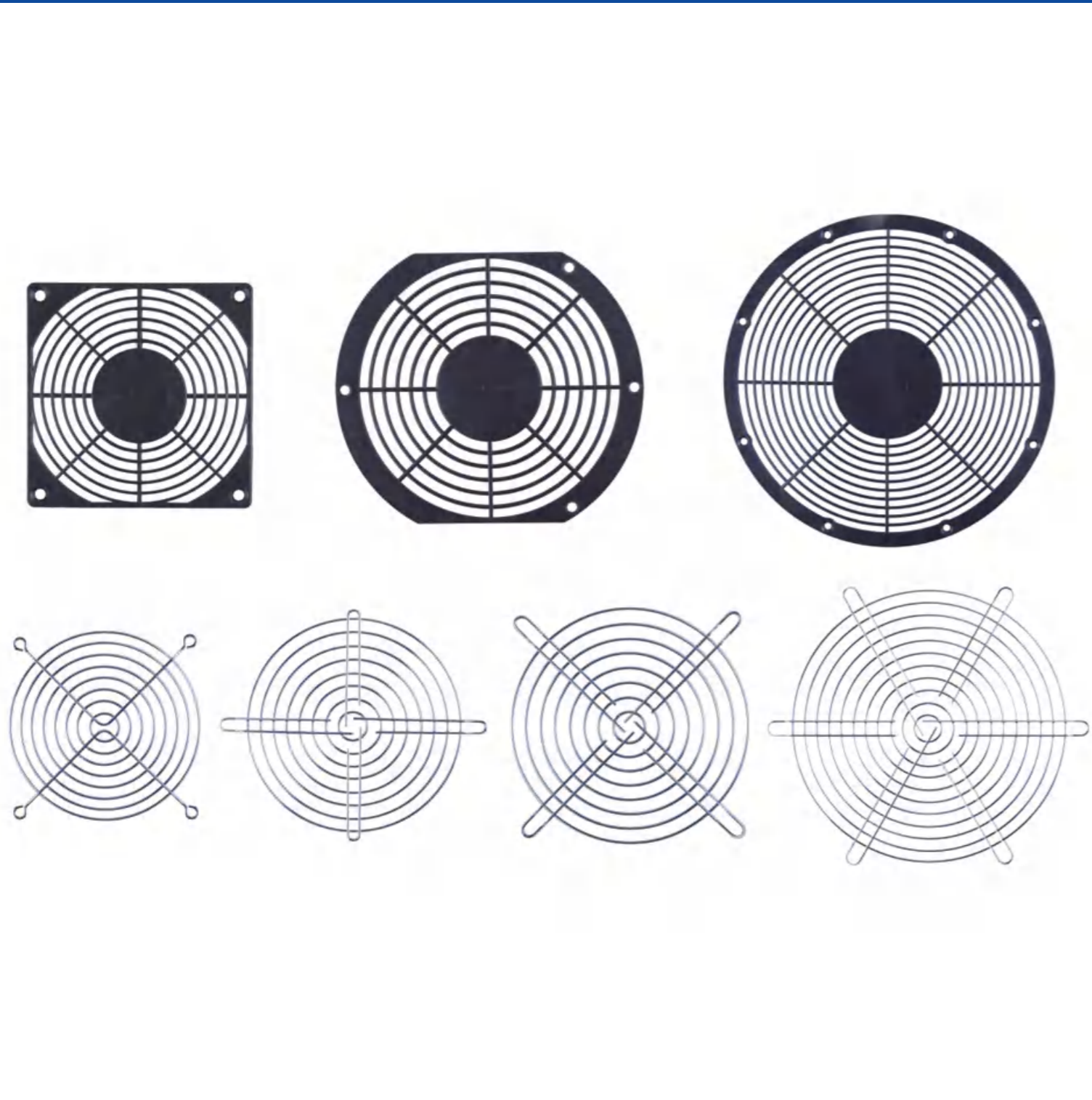


Collect Rd signals of up to 6 fans (high voltage alarm signal in case of fault) and convert this Rd signal into passive contact signal.

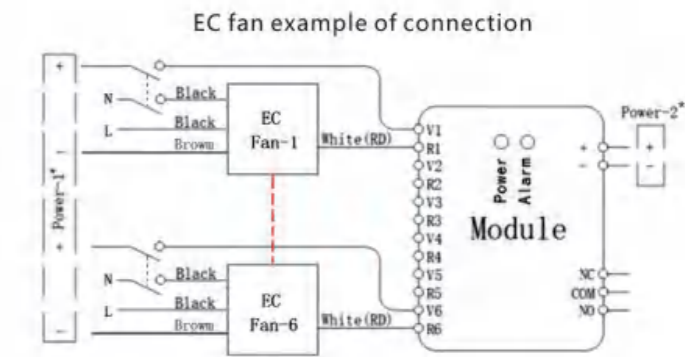
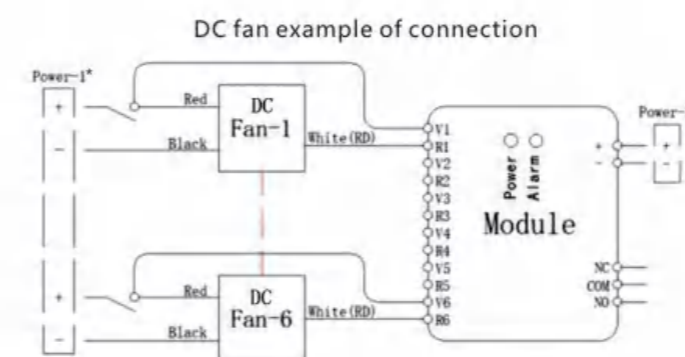
Model	Operating voltage
LW-12/24	12/24VDC(8-28VDC)
LW-48	48VDC(28-56VDC)

Technical Specifications

Structure of contact	NC+COM+NO
Max.Switching Power	62.5AV,30W
Max.Switching Voltage	250VAV,220VDC
Max.Switching Current	2A
Contact state	When the module is normally powered on and all fans are normal, the passive contact state is reversed.
Green Indicator	On-The module is powered on
Red Indicator	Flashing-fan normal,on-fan fault
Mounting	35mm DIN Guide rail buckle installation
Connection	Clip for 35mm DIN Rail,EN 60715 1.5mm ² ,Max.0.3N.m
Protection Type	IP20
Shell	ABS(RAL7035,UL94-V0)
Weight	Approx.60g
Polarity Protection	Open circuit when power are exchanged
Life Expectancy	100000hrs at 40 °C
Operating/Storage Temperature	-20~70 C /-40~70 C
Operating/Storage Humidity	Max.90%RH(non-condensing)

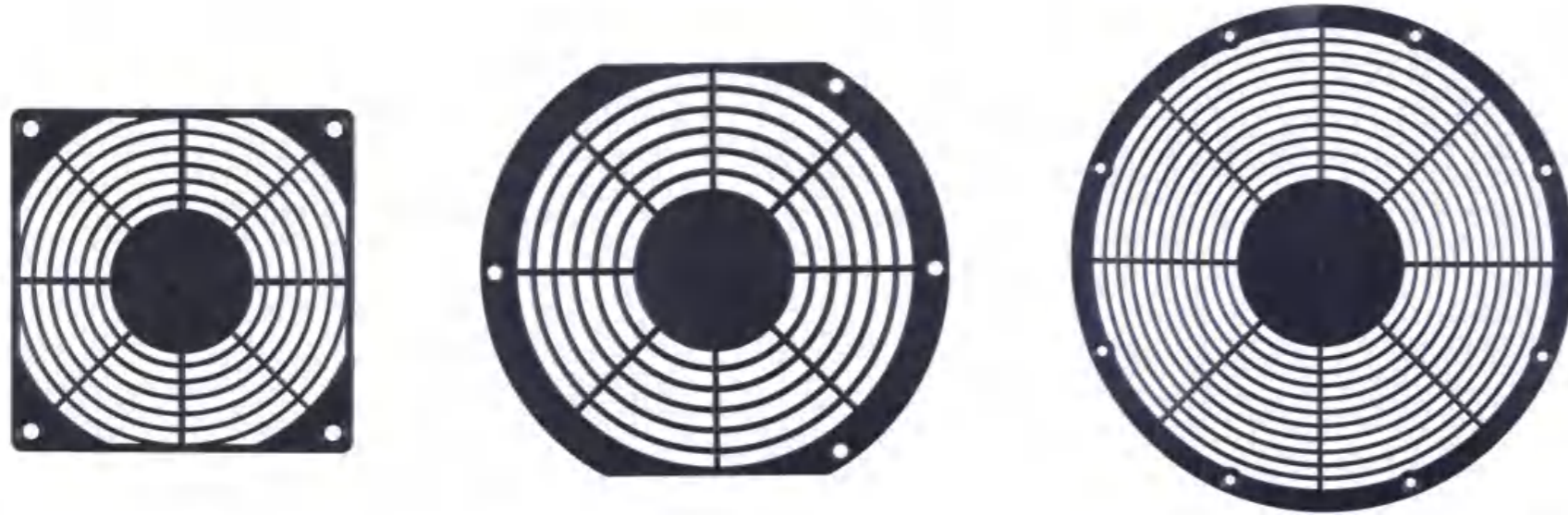


Accessories



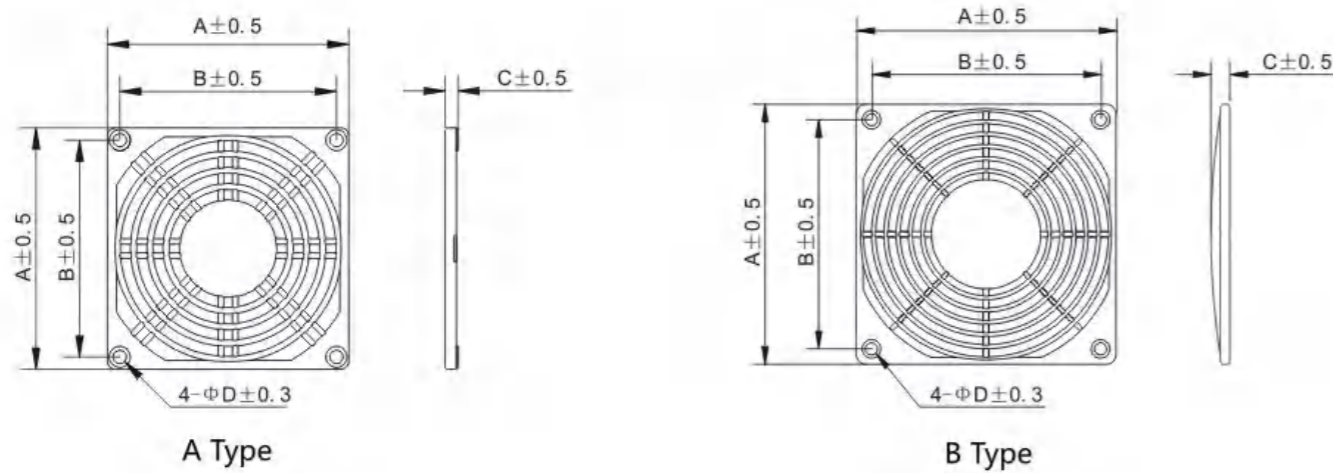
Power-1 and power-2 shall be the same power supply. In case of different power supplies, they shall be grounded together.

Plastic finger guard

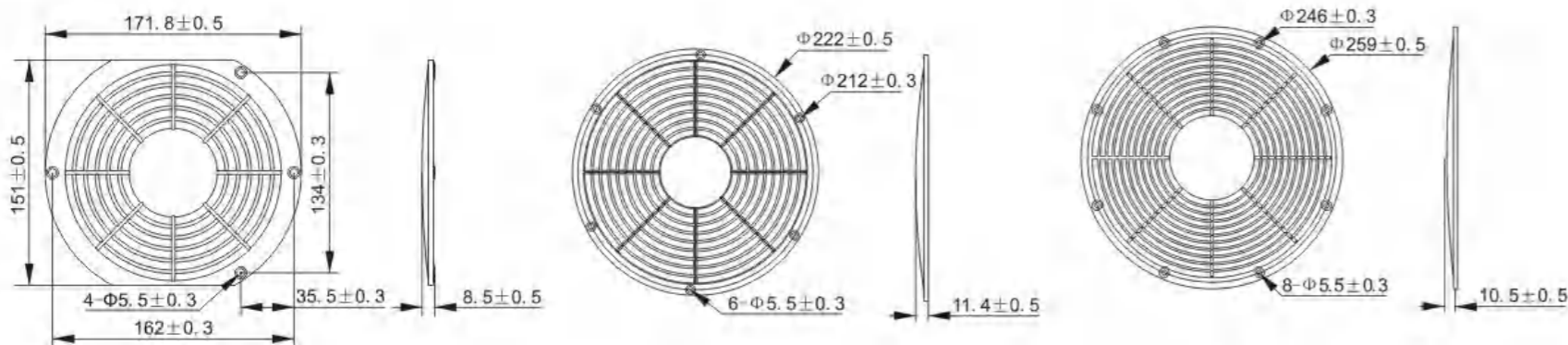


Product Characteristic

- Material: ABS
- IP Standard: IP20
- Color: Black, customized other



	Model	A	B	C	D
A Type	LW808B	80	71.5	5	5.0
	LW809B	92	82.5	5	5.0
B Type	LW812B	119	104.8	8.6	5.5
	LW818B	180	153	10.3	5.5
	LW820B	207.5	174	10.5	6.0

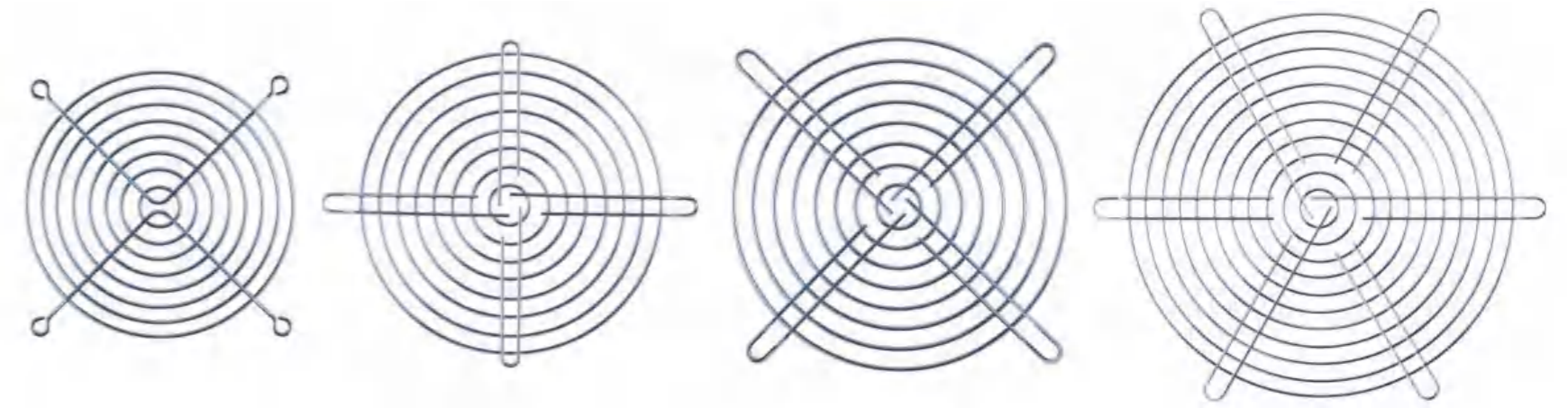


Model : LW817B
Suitable for fan : LW1725/17255

Model : LW822B
Suitable for fan : LW2206/2208

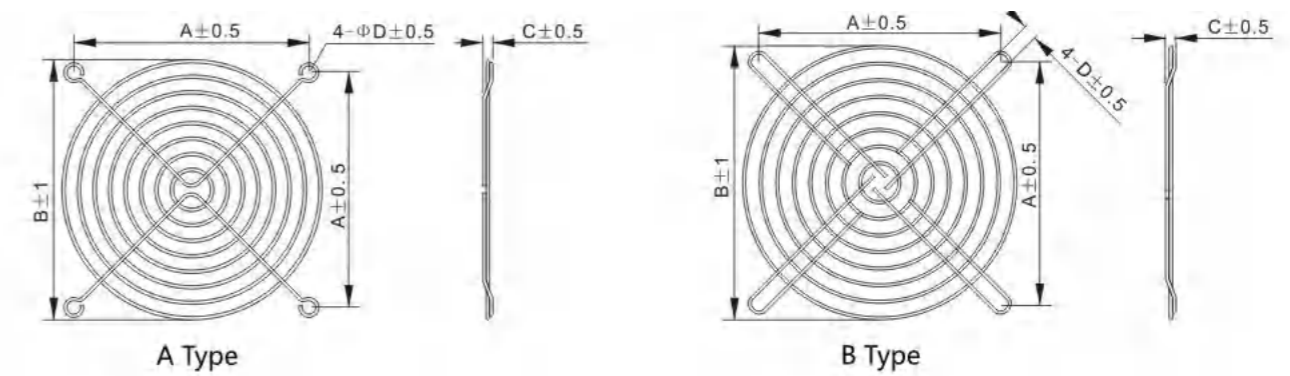
Model : LW825B
Suitable for fan : LW2509

Metal finger guard

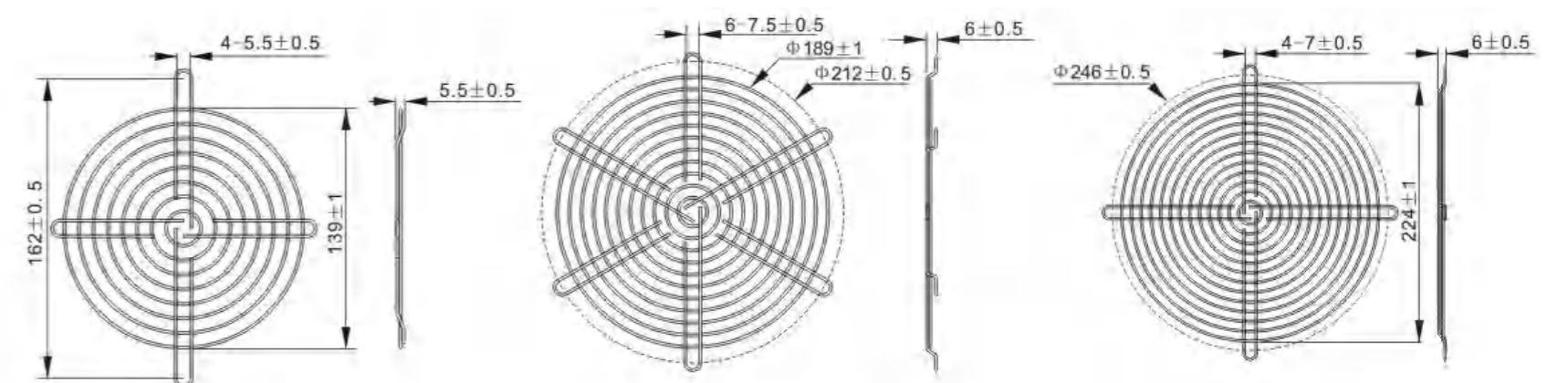


Product Characteristic

- Material: Chromium plating metal
- IP Standard: IP20



	Model	A	B	C	D
A Type	LW25	20	19.5	3	3.5
	LW30	24	21.5	4	3.5
	LW40	32	41	4	4.5
	LW50	40	41	5	4.5
	LW60	50	53.5	5	5
	LW70	61	66.5	5	5
	LW80	71.5	74.5	5	5
	LW92	82.5	88.5	5	5
B Type	LW120	105	115	5	5
	LW150	122	139	5.5	5.5
	LW160	138	155	5.5	7.5
	LW180	153	174	5.5	7.5
	LW200	174	207	6	7
	LW280	209	260	6	6.5



Model : LW172
Suitable for fan : LW17023/1725/17255

Model : LW220
Suitable for fan : LW2206/2208

Model : LW250
Suitable for fan : LW2509