



Website

Ningbo Longwell Electric Technology Co.,Ltd

TEL:+86 (574) 6218 9863

Fax:+86 18358274663

Whatsapp:+0086 18358274663

E-mail:sales@zjlongwell.com

Web:https://www.longwellfans.com/

Address:#NO.100 ,South of Xuxiang River ,Ditang District, Yuyao,Ningbo
Zhejiang Province,China 315400

**Professional HVAC Fan
& Motors Manufacturer**

— Axial Flow Fan

Ningbo Longwell Electric Technology CO, LTD

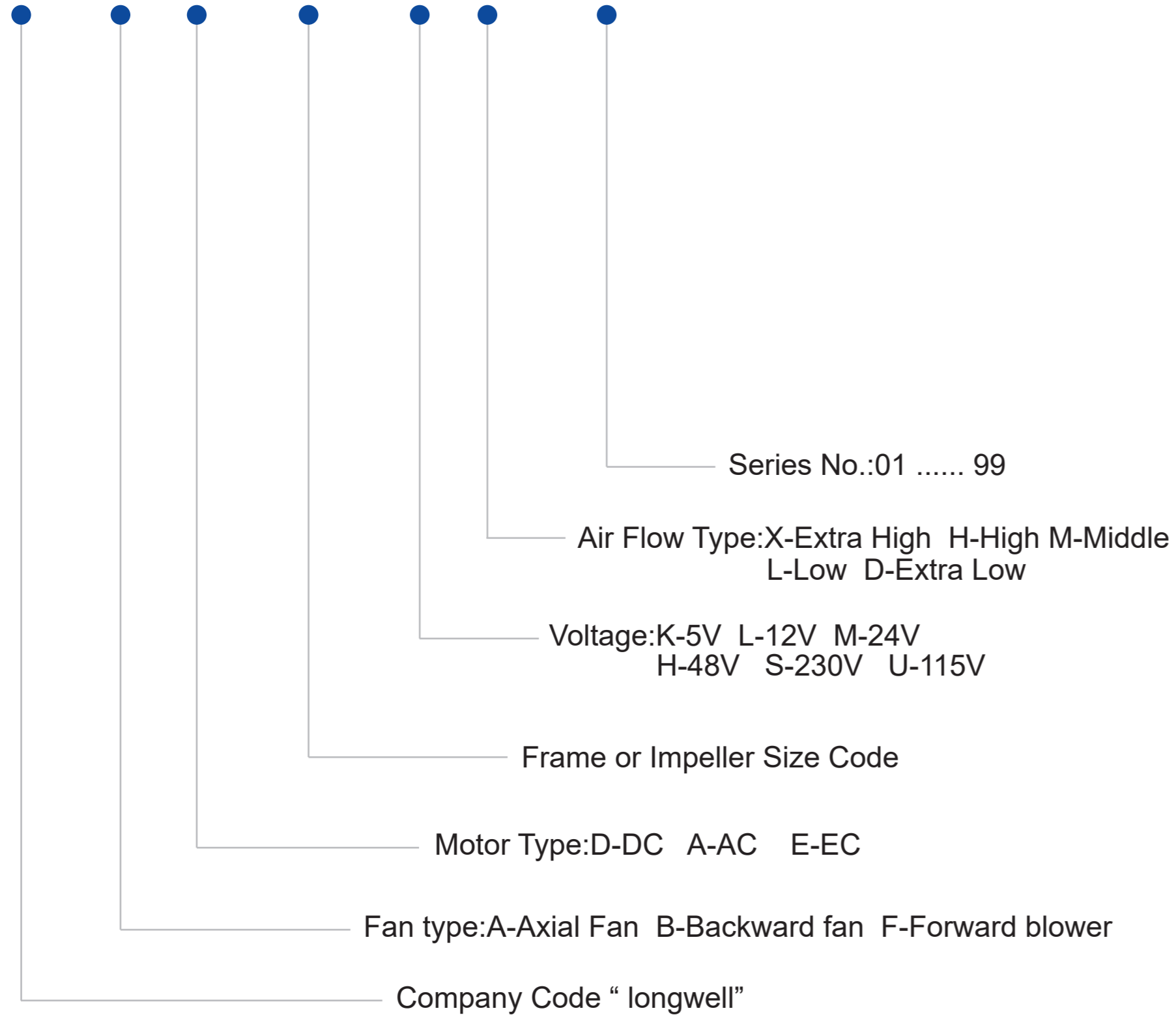


CATALOGUE

01	Type Code	-----
02	DC Axial Flow Fans	-----
45	DC Blower	-----
58	EC Axial Flow Fans	-----
61	Accessories	-----

Type Code

LW A D 3010 L X - 01



DC Axial Flow Fan

LWAD2510 Series

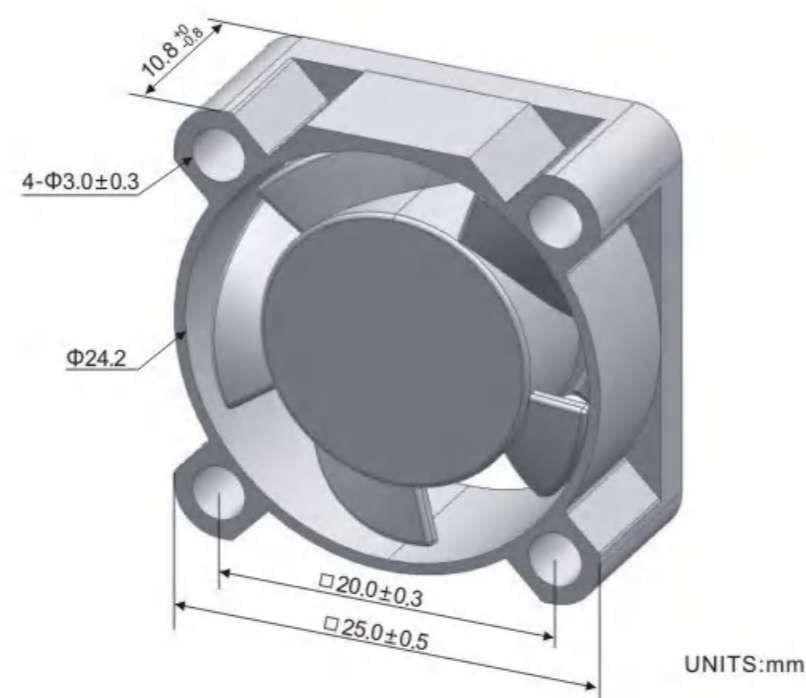
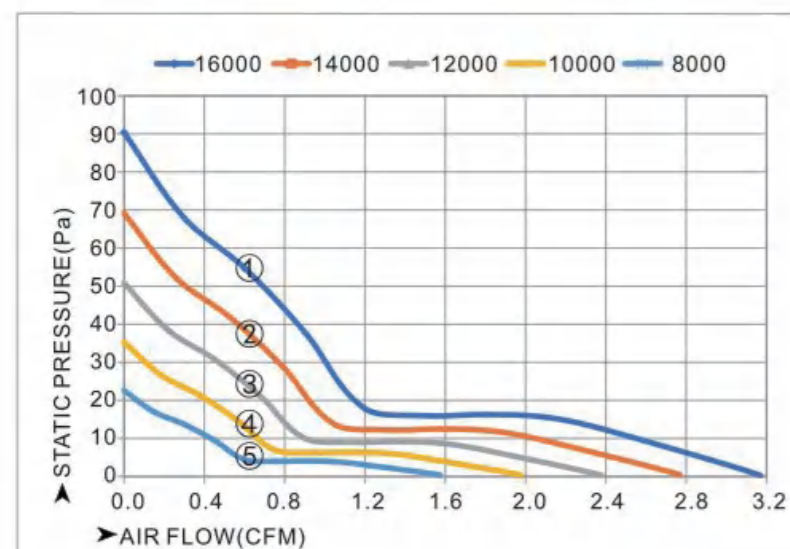
Product Characteristic

- Material: Frame: Plastic(UL94-VO)
Impeller: Plastic(UL94-VO)
- Voltage: 5VDC(4.0~5.5VDC), 12VDC(6~13.8VDC)
- Temperature: Operation Temperature: -10~70°C(Non-condensing)
- Specials: AS, RD, FG, PWM, Temperature Control, IP56



Technical Specifications

Model	Voltage	Current	Speed	Air Volume		Static Pressure			Noise	Weight	Curve
	V	A	RPM	CFM	m³/min	mm-H2O	Inch-H2O	Pa	dBA	g	
LWAD2510KX-01	5	0.35	16000	3.2	0.09	9.2	0.36	90	35	8g	①
LWAD2510KH-02	5	0.3	14000	2.8	0.08	7.1	0.28	69	32.1	8g	②
LWAD2510KM-03	5	0.25	12000	2.4	0.07	5.2	0.2	51	28.8	8g	③
LWAD2510KL-04	5	0.2	10000	2	0.06	5.6	0.14	35	24.8	8g	④
LWAD2510KD-05	5	0.15	8000	1.6	0.04	2.3	0.09	23	19.9	8g	⑤
LWAD2510LX-01	12	0.17	16000	3.2	0.09	9.2	0.36	90	35	8g	①
LWAD2510LH-02	12	0.15	14000	2.8	0.08	7.1	0.28	69	32.1	8g	②
LWAD2510LM-03	12	0.12	12000	2.4	0.07	5.2	0.20	51	28.8	8g	③
LWAD2510LL-04	12	0.1	10000	2	0.06	3.6	0.14	35	24.8	8g	④
LWAD2510LD-05	12	0.08	8000	1.6	0.04	2.3	0.09	23	19.9	8g	⑤



LWAD3010 Series

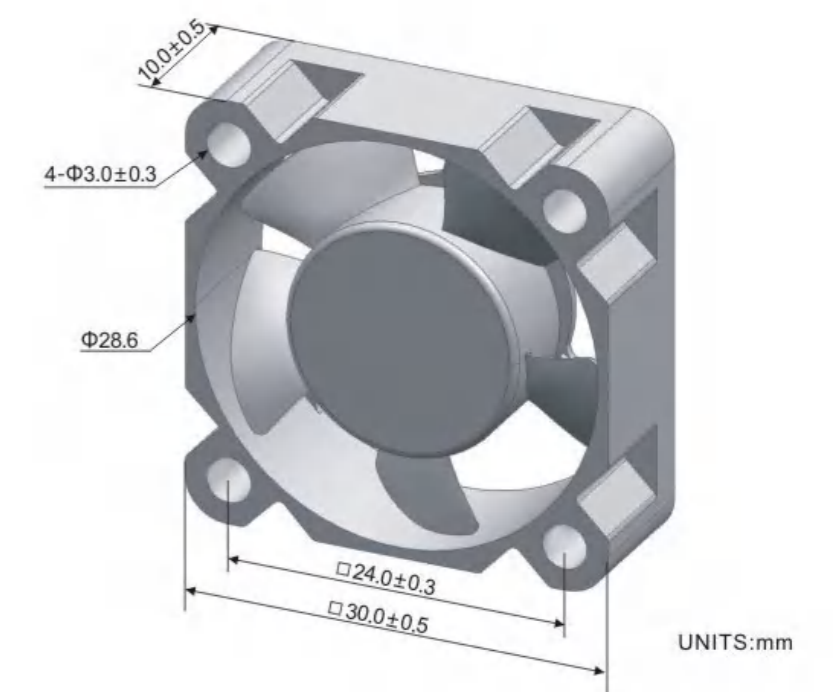
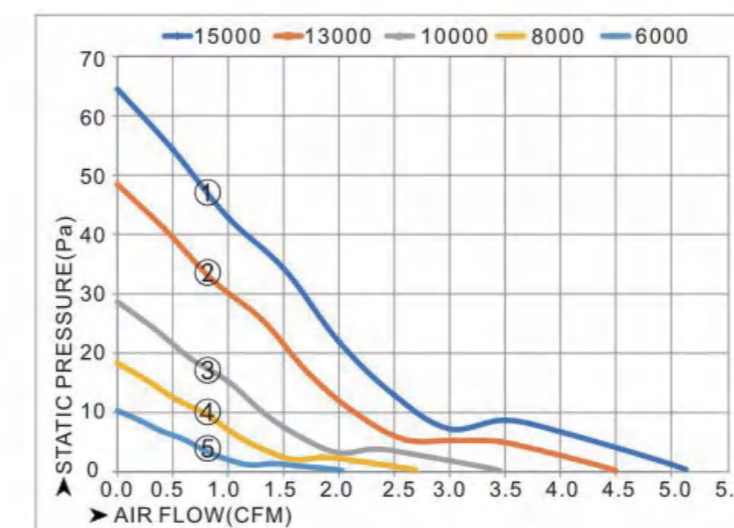
Product Characteristic

- Material: Frame: Plastic(UL94-VO)
Impeller: Plastic(UL94-VO)
- Voltage: 5VDC(4.0~5.5VDC), 12VDC(6~13.8VDC)
- Temperature: Operation Temperature: -10~70°C(Non-condensing)
- Specials: AS, RD, FG, PWM, Temperature Control, IP56



Technical Specifications

Model	Voltage	Current	Speed	Air Volume		Static Pressure			Noise	Weight	Curve
	V	A	RPM	CFM	m³/min	mm-H2O	Inch-H2O	Pa	dBA	g	
LWAD3010KX-01	5	0.35	15000	5.1	0.15	6.6	0.26	64	39	9g	①
LWAD3010KH-02	5	0.3	13000	4.5	0.13	4.9	0.19	48	35.9	9g	②
LWAD3010KM-03	5	0.25	10000	3.4	0.1	2.9	0.12	29	30.2	9g	③
LWAD3010KL-04	5	0.2	8000	2.7	0.08	1.9	0.07	18	25.3	9g	④
LWAD3010KD-05	5	0.15	6000	2.1	0.06	1.1	0.04	10	19.1	9g	⑤
LWAD3010LX-01	12	0.17	15000	5.1	0.15	6.6	0.26	64	39	9g	①
LWAD3010LH-02	12	0.15	13000	4.5	0.13	4.9	0.19	48	35.9	9g	②
LWAD3010LM-03	12	0.12	10000	3.4	0.1	2.9	0.12	29	30.2	9g	③
LWAD3010LL-04	12	0.1	8000	2.7	0.08	1.9	0.07	18	25.3	9g	④
LWAD3010LD-05	12	0.08	6000	2.1	0.06	1.1	0.04	10	19.1	9g	⑤



LWAD4010 Series

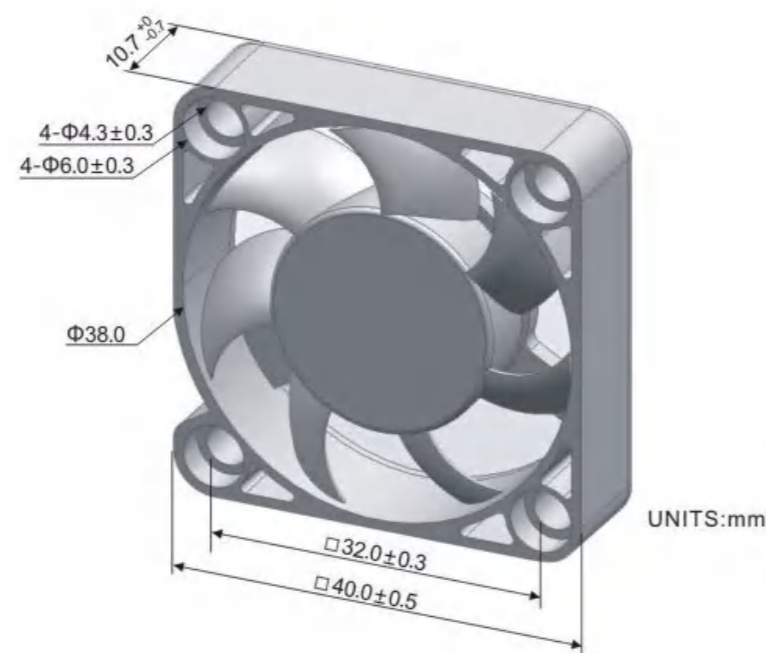
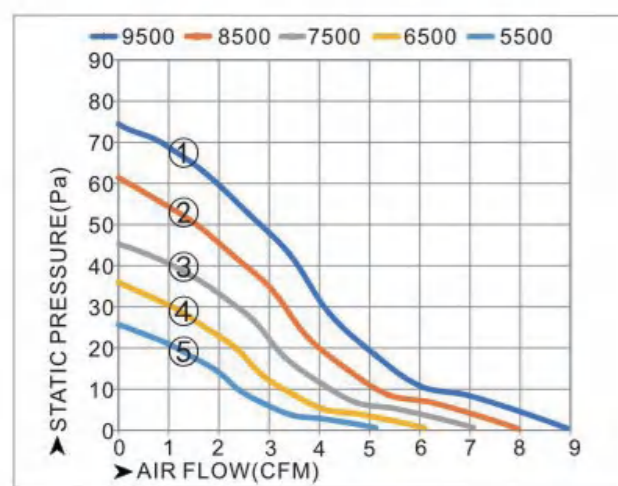
Product Characteristic

- Material: Frame: Plastic(UL94-VO) Impeller: Plastic(UL94-VO)
- Voltage: 5VDC(4.0~5.5VDC), 12VDC(6~13.8VDC), 24VDC(12~27.6VDC)
- Temperature: Operation Temperature: -10~70°C(Non-condensing)
- Specials: AS, RD, FG, PWM, Temperature Control, IP56



Technical Specifications

Model	Voltage	Current	Speed	Air Volume		Static Pressure			Noise	Weight	Curve
	V	A	RPM	CFM	m³/min	mm-H2O	Inch-H2O	Pa	dBA	g	
LWAD4010KX-01	5	0.35	9500	8.9	0.25	7.5	0.3	74	42.7	14g	①
LWAD4010KH-02	5	0.3	8500	8	0.23	6	0.24	59	40.3	14g	②
LWAD4010KM-03	5	0.25	7500	7.1	0.2	4.7	0.19	46	37.6	14g	③
LWAD4010KL-04	5	0.2	6500	6.1	0.17	3.5	0.14	35	34.5	14g	④
LWAD4010KD-05	5	0.15	5500	5.2	0.15	2.5	0.1	25	30.8	14g	⑤
LWAD4010LX-01	12	0.17	9500	8.9	0.25	7.5	0.3	74	42.7	14g	①
LWAD4010LH-02	12	0.15	8500	8	0.23	6	0.24	59	40.3	14g	②
LWAD4010LM-03	12	0.12	7500	7.1	0.2	4.7	0.19	46	37.6	14g	③
LWAD4010LL-04	12	0.1	6500	6.1	0.17	3.5	0.14	35	34.5	14g	④
LWAD4010LD-05	12	0.08	5500	5.2	0.15	2.5	0.1	25	30.8	14g	⑤
LWAD4010MX-01	24	0.1	9500	8.9	0.25	7.5	0.3	74	42.7	14g	①
LWAD4010MH-02	24	0.09	8500	8	0.23	6	0.24	59	40.3	14g	②
LWAD4010MM-03	24	0.08	7500	7.1	0.2	4.7	0.19	46	37.6	14g	③
LWAD4010ML-04	24	0.07	6500	6.1	0.17	3.5	0.14	35	34.5	14g	④
LWAD4010MD-05	24	0.06	5500	5.2	0.15	2.5	0.1	25	30.8	14g	⑤



LWAD4015 Series

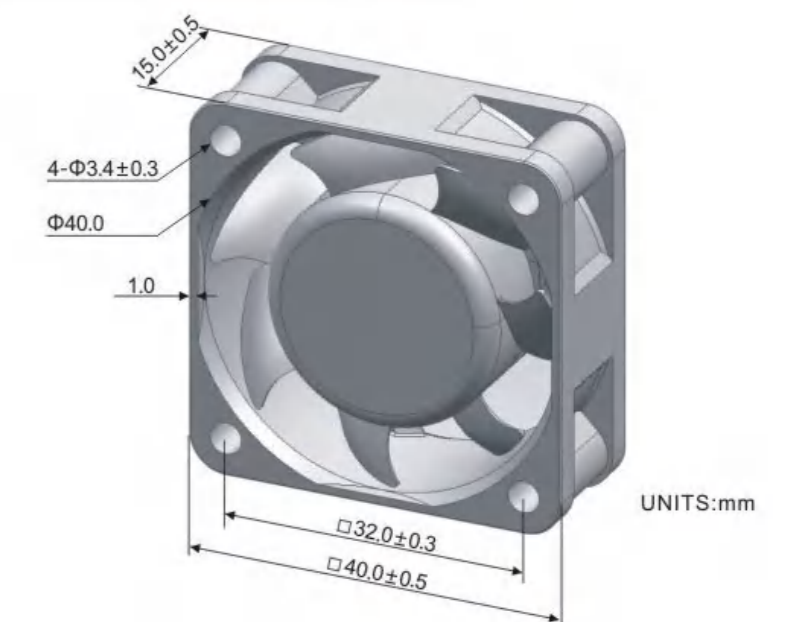
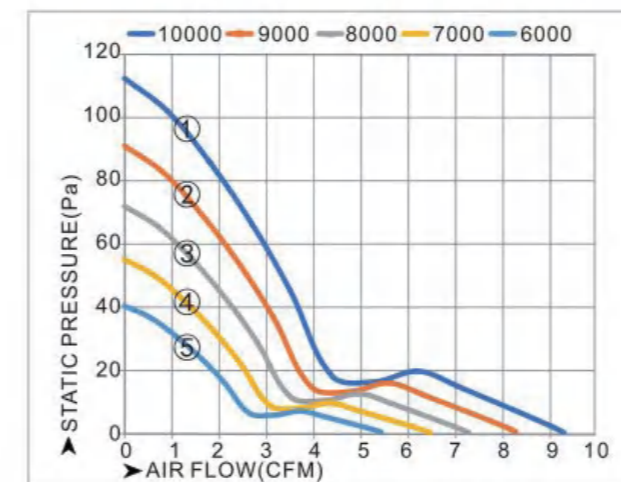
Product Characteristic

- Material: Frame: Plastic(UL94-VO) Impeller: Plastic(UL94-VO)
- Voltage: 5VDC(4.0~5.5VDC), 12VDC(6~13.8VDC), 24VDC(12~27.6VDC)
- Temperature: Operation Temperature: -10~70°C(Non-condensing)
- Specials: AS, RD, FG, PWM, Temperature Control, IP56



Technical Specifications

Model	Voltage	Current	Speed	Air Volume		Static Pressure			Noise	Weight	Curve
	V	A	RPM	CFM	m³/min	mm-H2O	Inch-H2O	Pa	dBA	g	
LWAD4015KX-01	5	0.4	10000	9.2	0.26	11.5	0.45	112	41.3	24g	①
LWAD4015KH-02	5	0.5	9000	8.3	0.24	9.3	0.37	91	39.3	24g	②
LWAD4015KM-03	5	0.4	8000	7.4	0.21	7.3	0.29	72	36.5	24g	③
LWAD4015KL-04	5	0.35	7000	6.5	0.18	5.6	0.22	55	33.6	24g	④
LWAD4015KD-05	5	0.3	6000	5.5	0.16	4.1	0.16	40	30.2	24g	⑤
LWAD4015LX-01	12	0.25	10000	9.2	0.26	11.5	0.45	112	41.3	24g	①
LWAD4015LH-02	12	0.22	9000	8.3	0.24	9.3	0.37	91	39.3	24g	②
LWAD4015LM-03	12	0.2	8000	7.4	0.21	7.3	0.29	72	36.5	24g	③
LWAD4015LL-04	12	0.18	7000	6.5	0.18	5.6	0.22	55	33.6	24g	④
LWAD4015LD-05	12	0.16	6000	5.5	0.16	4.1	0.16	40	30.2	24g	⑤
LWAD4015MX-01	24	0.16	10000	9.2	0.26	11.5	0.45	112	41.3	24g	①
LWAD4015MH-02	24	0.14	9000	8.3	0.24	9.3	0.37	91	39.3	24g	②
LWAD4015MM-03	24	0.12	8000	7.4	0.21	7.3	0.29	72	36.5	24g	③
LWAD4015ML-04	24	0.1	7000	6.5	0.18	5.6	0.22	55	33.6	24g	④
LWAD4015MD-05	24	0.08	6000	5.5	0.16	4.1	0.16	40	30.2	24g	⑤



LWAD4020 Series

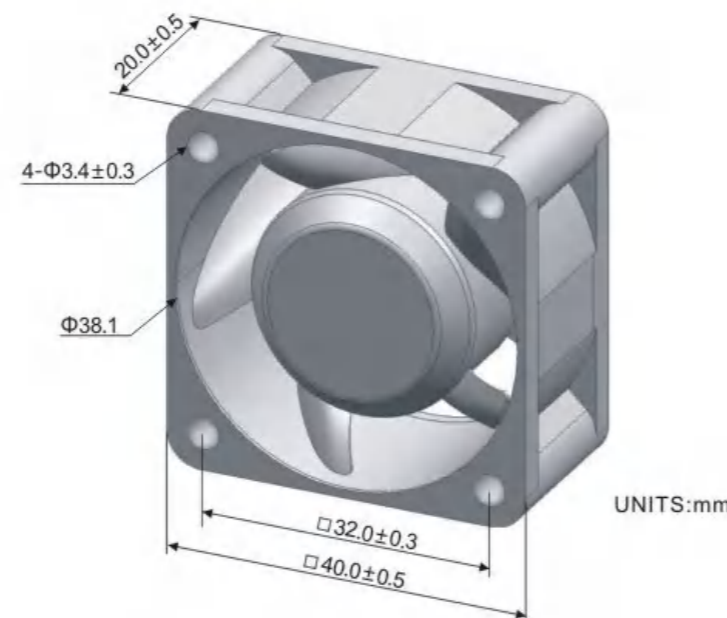
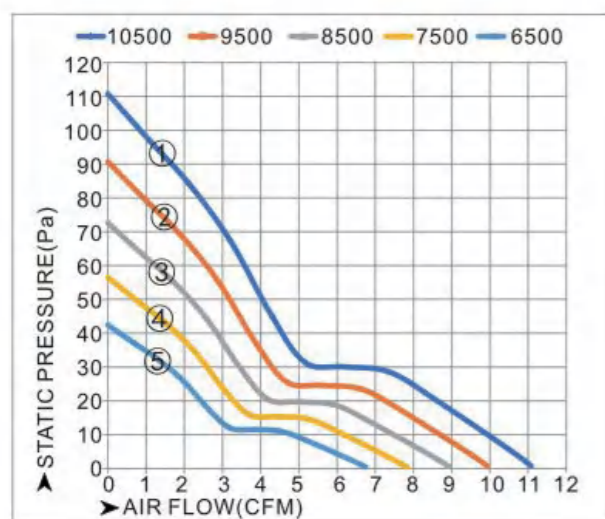
Product Characteristic

- Material: Frame: Plastic(UL94-VO) Impeller: Plastic(UL94-VO)
- Voltage: 5VDC(4.0~5.5VDC),12VDC(6~13.8VDC),24VDC(12~27.6VDC)
- Temperature: Operation Temperature: -10~70°C(Non-condensing)
- Specials: AS, RD, FG, PWM, Temperature Control, IP56



Technical Specifications

Model	Voltage	Current	Speed	Air Volume		Static Pressure			Noise	Weight	Curve
	V	A	RPM	CFM	m³/min	mm-H2O	Inch- H2O	Pa	dBA	g	
LWAD4020KX-01	5	0.6	10500	11	0.31	11.3	0.44	111	42.8	29g	①
LWAD4020KH-02	5	0.5	9500	10	0.28	9.3	0.36	91	40.6	29g	②
LWAD4020KM-03	5	0.45	8500	8.9	0.25	7.4	0.29	73	38.2	29g	③
LWAD4020KL-04	5	0.4	7500	7.9	0.22	5.8	0.23	57	35.5	29g	④
LWAD4020KD-05	5	0.3	6500	6.8	0.19	4.3	0.17	42	32.4	29g	⑤
LWAD4020LX-01	12	0.28	10500	11	0.31	11.3	0.44	111	42.8	29g	①
LWAD4020LH-02	12	0.24	9500	10	0.28	9.3	0.36	91	40.6	29g	②
LWAD4020LM-03	12	0.2	8500	8.9	0.25	7.4	0.29	73	38.2	29g	③
LWAD4020LL-04	12	0.16	7500	7.9	0.22	5.8	0.23	57	35.5	29g	④
LWAD4020LD-05	12	0.12	6500	6.8	0.19	4.3	0.17	42	32.4	29g	⑤
LWAD4020MX-01	24	0.2	10500	11	0.31	11.3	0.44	111	42.8	29g	①
LWAD4020MH-02	24	0.15	9500	10	0.28	9.3	0.36	91	40.6	29g	②
LWAD4020MM-03	24	0.12	8500	8.9	0.25	7.4	0.29	73	38.2	29g	③
LWAD4020ML-04	24	0.1	7500	7.9	0.22	5.8	0.23	57	35.5	29g	④
LWAD4020MD-05	24	0.08	6500	6.8	0.19	4.3	0.17	42	32.4	29g	⑤



LWAD4020 Series

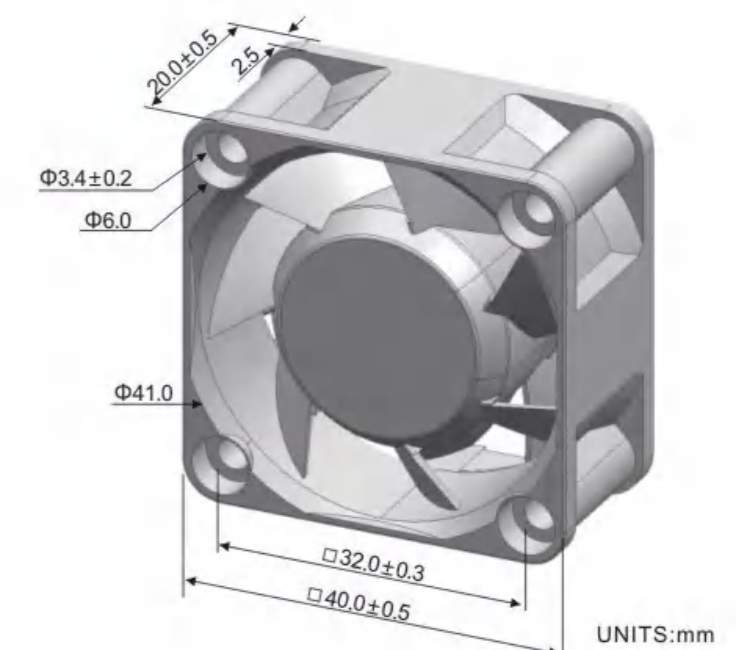
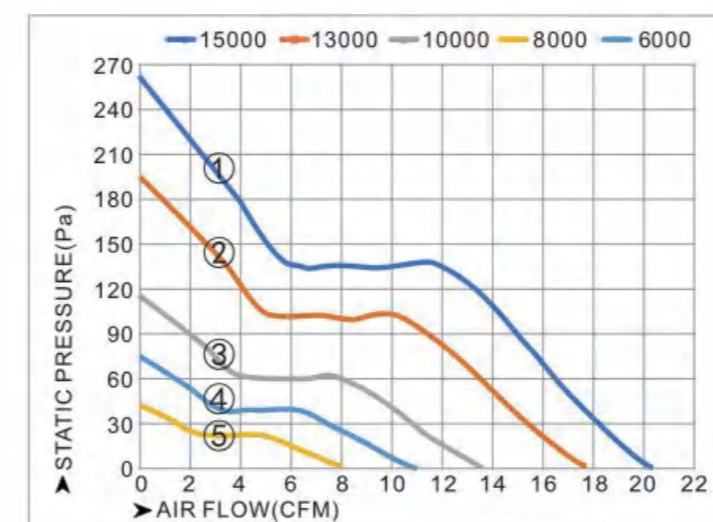
Product Characteristic

- Material: Frame: Plastic(UL94-VO) Impeller: Plastic(UL94-VO)
- Voltage: 12VDC(6~13.8VDC),24VDC(12~27.6VDC)
- Temperature: Operation Temperature: -10~70°C(Non-condensing)
- Specials: AS, RD, FG, PWM, Temperature Control, IP56



Technical Specifications

Model	Voltage	Current	Speed	Air Volume		Static Pressure			Noise	Weight	Curve
	V	A	RPM	CFM	m³/min	mm-H2O	Inch- H2O	Pa	dBA	g	
LWAD4020LX-06	12	0.6	15000	20.4	0.58	26.7	1.05	262	51.9	29g	①
LWAD4020LH-07	12	0.4	13000	17.7	0.5	20	0.79	196	48.8	29g	②
LWAD4020LM-08	12	0.3	10000	13.6	0.38	11.9	0.47	116	43.1	29g	③
LWAD4020LL-09	12	0.16	8000	10.9	0.31	7.6	0.3	74	38.2	29g	④
LWAD4020LD-10	12	0.1	6000	8.1	0.23	4.3	0.17	42	32	29g	⑤
LWAD4020MX-06	24	0.3	15000	20.4	0.58	26.7	1.05	262	51.9	29g	①
LWAD4020MH-07	24	0.22	13000	17.7	0.5	20	0.79	196	48.8	29g	②
LWAD4020MM-08	24	0.18	10000	13.6	0.38	11.9	0.47	116	43.1	29g	③
LWAD4020ML-09	24	0.1	8000	10.9	0.31	7.6	0.3	74	38.2	29g	④
LWAD4020MD-10	24	0.06	6000	8.1	0.23	4.3	0.17	42	32	29g	⑤



LWAD4028 Series

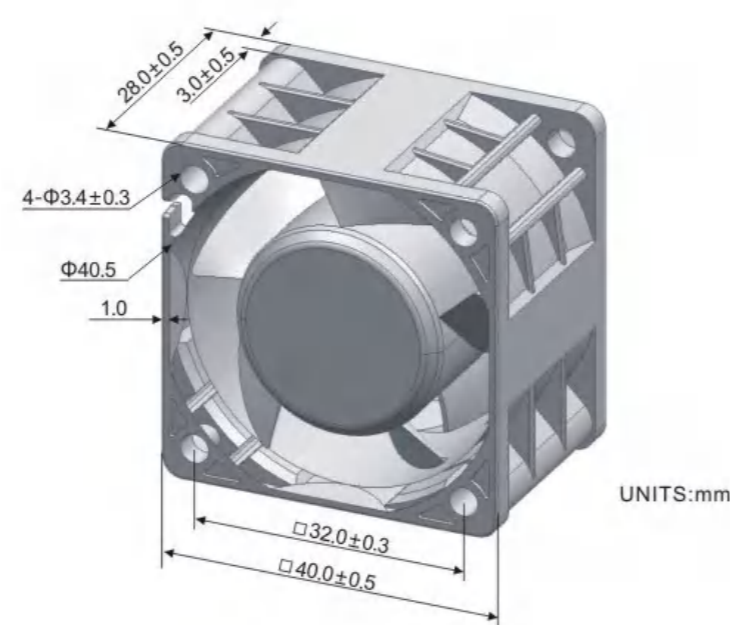
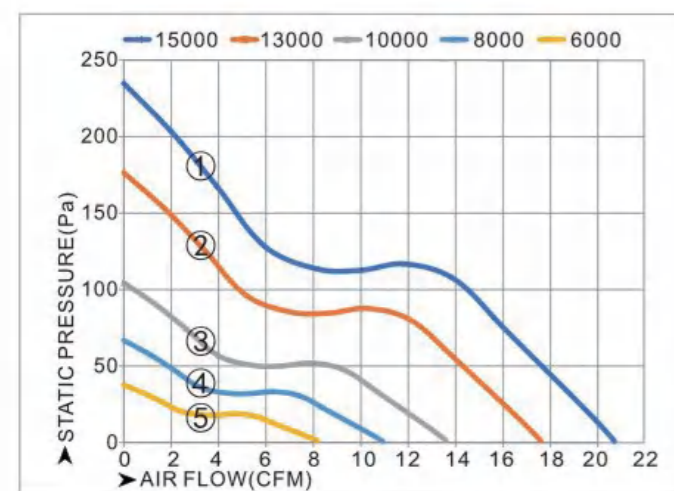
Product Characteristic

- Material: Frame: Plastic(UL94-VO) Impeller: Plastic(UL94-VO)
- Voltage: 12VDC(6~13.8VDC),24VDC(12~27.6VDC)
- Temperature: Operation Temperature: -10~70°C(Non-condensing)
- Specials: AS, RD, FG, PWM, Temperature Control, IP56



Technical Specifications

Model	Voltage	Current	Speed	Air Volume		Static Pressure			Noise	Weight	Curve
	V	A	RPM	CFM	m³/min	mm-H2O	Inch--H2O	Pa	dBA	g	
LWAD4028LX-01	12	0.65	15000	20.6	0.58	24	0.94	235	54.2	40g	①
LWAD4028LH-02	12	0.42	13000	17.8	0.51	18	0.71	176	51.1	40g	②
LWAD4028LM-03	12	0.35	10000	13.7	0.39	10.6	0.42	104	45.4	40g	③
LWAD4028LL-04	12	0.2	8000	11	0.31	6.8	0.27	67	40.5	40g	④
LWAD4028LD-05	12	0.12	6000	8.2	0.23	3.8	0.15	38	34.3	40g	⑤
LWAD4028MX-01	24	0.32	15000	20.6	0.58	24	0.94	235	54.2	40g	①
LWAD4028MH-02	24	0.2	13000	17.8	0.51	18	0.71	176	51.1	40g	②
LWAD4028MM-03	24	0.18	10000	13.7	0.39	10.6	0.42	104	45.4	40g	③
LWAD4028ML-04	24	0.12	8000	11	0.31	6.8	0.27	67	40.5	40g	④
LWAD4028MD-05	24	0.08	6000	8.2	0.23	3.8	0.15	38	34.3	40g	⑤



LWAD5010 Series

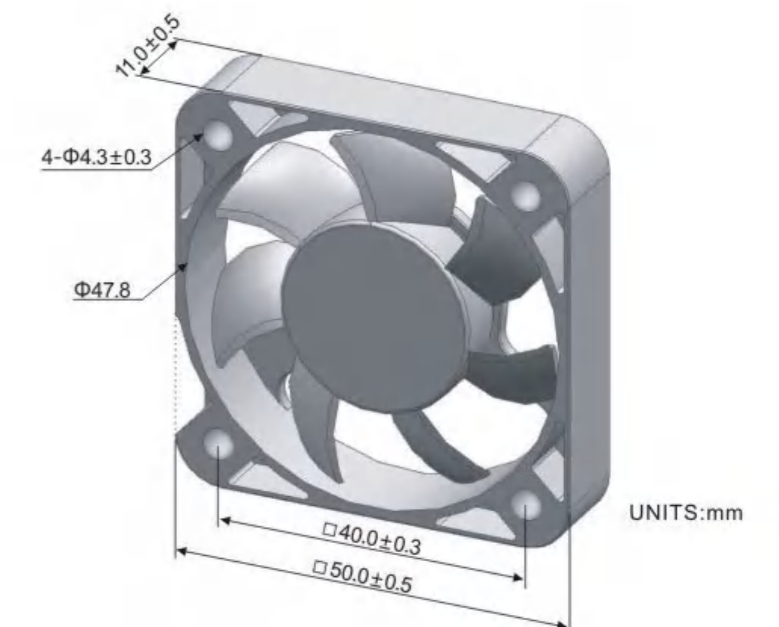
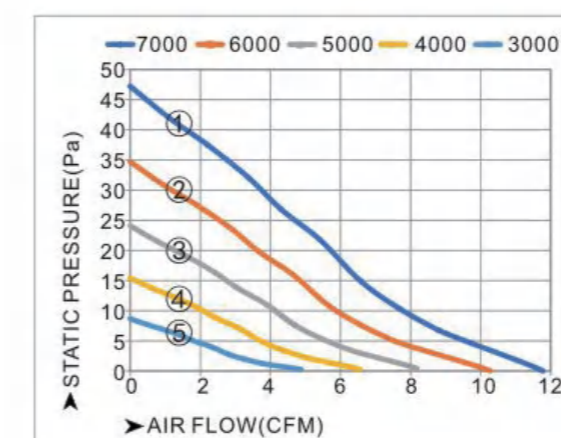
Product Characteristic

- Material: Frame: Plastic(UL94-VO) Impeller: Plastic(UL94-VO)
- Voltage: 5VDC(4.0~5.5VDC),12VDC(6~13.8VDC),24VDC(12~27.6VDC)
- Temperature: Operation Temperature: -10~70°C(Non-condensing)
- Specials: AS, RD, FG, PWM, Temperature Control, IP56



Technical Specifications

Model	Voltage	Current	Speed	Air Volume		Static Pressure			Noise	Weight	Curve
	V	A	RPM	CFM	m³/min	mm-H2O	Inch--H2O	Pa	dBA	g	
LWAD5010KX-01	5	0.35	7000	11.9	0.34	4.8	0.19	47	37.2	20g	①
LWAD5010KH-02	5	0.3	6000	10.2	0.29	3.5	0.14	35	33.9	20g	②
LWAD5010KM-03	5	0.25	5000	8.5	0.24	2.5	0.1	24	29.9	20g	③
LWAD5010KL-04	5	0.2	4000	6.8	0.19	1.6	0.06	15	25.2	20g	④
LWAD5010KD-05	5	0.16	3000	5.1	0.14	0.9	0.03	9	18.8	20g	⑤
LWAD5010LX-01	12	0.16	7000	11.9	0.34	4.8	0.19	47	37.2	20g	①
LWAD5010LH-02	12	0.14	6000	10.2	0.29	3.5	0.14	35	33.9	20g	②
LWAD5010LM-03	12	0.12	5000	8.5	0.24	2.5	0.1	24	29.9	20g	③
LWAD5010LL-04	12	0.1	4000	6.8	0.19	1.6	0.06	15	25.2	20g	④
LWAD5010LD-05	12	0.08	3000	5.1	0.14	0.9	0.03	9	18.8	20g	⑤
LWAD5010MX-01	24	0.12	7000	11.9	0.34	4.8	0.19	47	37.2	20g	①
LWAD5010MH-02	24	0.1	6000	10.2	0.29	3.5	0.14	35	33.9	20g	②
LWAD5010MM-03	24	0.08	5000	8.5	0.24	2.5	0.1	24	29.9	20g	③
LWAD5010ML-04	24	0.06	4000	6.8	0.19	1.6	0.06	15	25.2	20g	④
LWAD5010MD-05	24	0.04	3000	5.1	0.14	0.9	0.03	9	18.8	20g	⑤



LWAD5015 Series

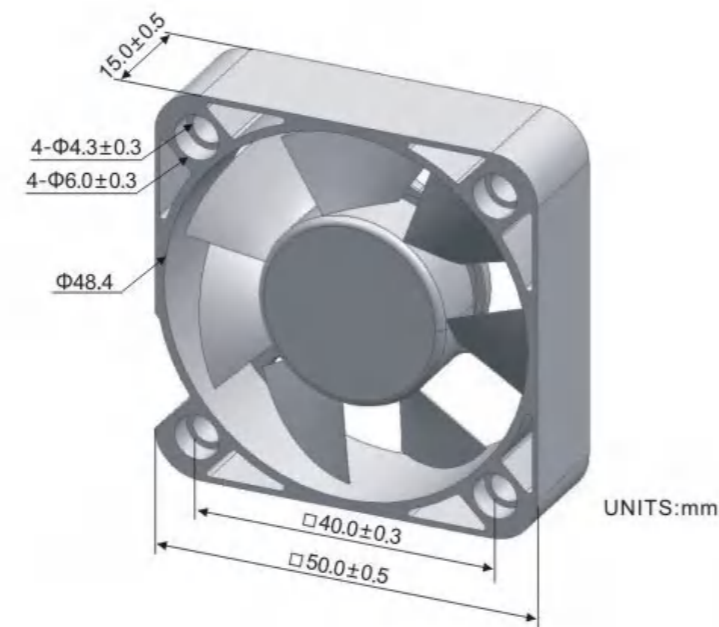
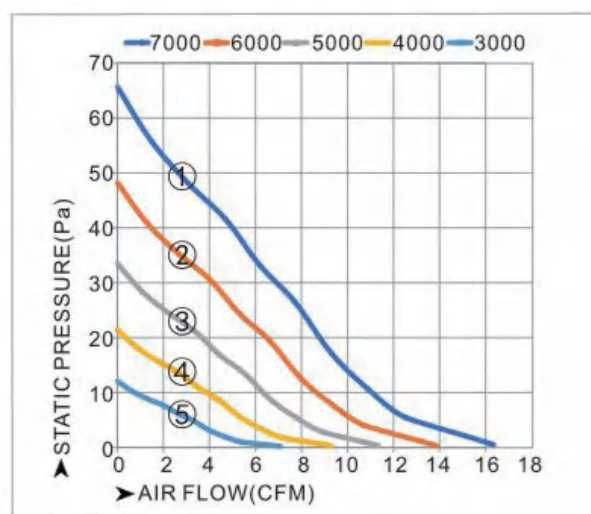
Product Characteristic

- Material: Frame: Plastic(UL94-VO) Impeller: Plastic(UL94-VO)
- Voltage: 5VDC(4.0~5.5VDC), 12VDC(6~13.8VDC), 24VDC(12~27.6VDC)
- Temperature: Operation Temperature: -10~70°C(Non-condensing)
- Specials: AS, RD, FG, PWM, Temperature Control, IP56



Technical Specifications

Model	Voltage	Current	Speed	Air Volume		Static Pressure			Noise	Weight	Curve
	V	A	RPM	CFM	m³/min	mm-H2O	Inch--H2O	Pa	dBA	g	
LWAD5015KX-01	5	0.4	7000	16.3	0.46	6.7	0.26	66	40.7	30g	①
LWAD5015KH-02	5	0.35	6000	14	0.4	4.9	0.19	48	37.4	30g	②
LWAD5015KM-03	5	0.3	5000	11.6	0.33	3.4	0.13	34	33.4	30g	③
LWAD5015KL-04	5	0.25	4000	9.3	0.26	2.2	0.09	21	28.5	30g	④
LWAD5015KD-05	5	0.2	3000	7	0.2	1.2	0.05	12	22.3	30g	⑤
LWAD5015LX-01	12	0.18	7000	16.3	0.46	6.7	0.26	66	40.7	30g	①
LWAD5015LH-02	12	0.16	6000	14	0.4	4.9	0.19	48	37.4	30g	②
LWAD5015LM-03	12	0.14	5000	11.6	0.33	3.4	0.13	34	33.4	30g	③
LWAD5015LL-04	12	0.12	4000	9.3	0.26	2.2	0.09	21	28.5	30g	④
LWAD5015LD-05	12	0.1	3000	7	0.2	1.2	0.05	12	22.3	30g	⑤
LWAD5015MX-01	24	0.14	7000	16.3	0.46	6.7	0.26	66	40.7	30g	①
LWAD5015MH-02	24	0.12	6000	14	0.4	4.9	0.19	48	37.4	30g	②
LWAD5015MM-03	24	0.1	5000	11.6	0.33	3.4	0.13	34	33.4	30g	③
LWAD5015ML-04	24	0.08	4000	9.3	0.26	2.2	0.09	21	28.5	30g	④
LWAD5015MD-05	24	0.06	3000	7	0.2	1.2	0.05	12	22.3	30g	⑤



LWAD5020 Series

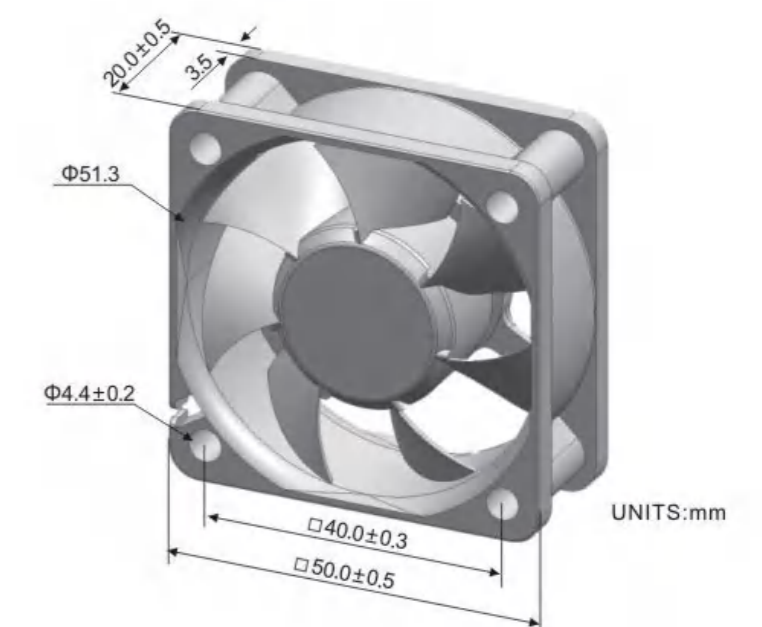
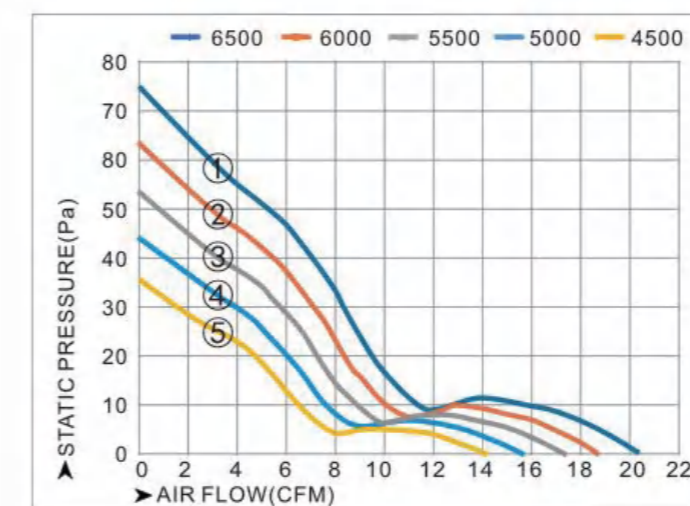
Product Characteristic

- Material: Frame: Plastic(UL94-VO) Impeller: Plastic(UL94-VO)
- Voltage: 5VDC(4.0~5.5VDC), 12VDC(6~13.8VDC), 24VDC(12~27.6VDC)
- Temperature: Operation Temperature: -10~70°C(Non-condensing)
- Specials: AS, RD, FG, PWM, Temperature Control, IP56



Technical Specifications

Model	Voltage	Current	Speed	Air Volume		Static Pressure			Noise	Weight	Curve
	V	A	RPM	CFM	m³/min	mm-H2O	Inch--H2O	Pa	dBA	g	
LWAD5020KX-01	5	0.6	6500	20.5	0.58	7.6	0.3	75	38.6	33g	①
LWAD5020KH-02	5	0.5	6000	18.9	0.54	6.5	0.26	64	36.9	33g	②
LWAD5020KM-03	5	0.4	5500	17.3	0.49	5.5	0.22	54	35	33g	③
LWAD5020KL-04	5	0.35	5000	15.8	0.45	4.5	0.18	44	32.9	33g	④
LWAD5020KD-05	5	0.26	4500	14.2	0.4	3.7	0.14	36	30.6	33g	⑤
LWAD5020LX-01	12	0.28	6500	20.5	0.58	7.6	0.3	75	38.6	33g	①
LWAD5020LH-02	12	0.24	6000	18.9	0.54	6.5	0.26	64	36.9	33g	②
LWAD5020LM-03	12	0.2	5500	17.3	0.49	5.5	0.22	54	35	33g	③
LWAD5020LL-04	12	0.16	5000	15.8	0.45	4.5	0.18	44	32.9	33g	④
LWAD5020LD-05	12	0.12	4500	14.2	0.4	3.7	0.14	36	30.6	33g	⑤
LWAD5020MX-01	24	0.18	6500	20.5	0.58	7.6	0.3	75	38.6	33g	①
LWAD5020MH-02	24	0.16	6000	18.9	0.54	6.5	0.26	64	36.9	33g	②
LWAD5020MM-03	24	0.14	5500	17.3	0.49	5.5	0.22	54	35	33g	③
LWAD5020ML-04	24	0.12	5000	15.8	0.45	4.5	0.18	44	32.9	33g	④
LWAD5020MD-05	24	0.1	4500	14.2	0.4	3.7	0.14	36	30.6	33g	⑤



LWAD5025 Series

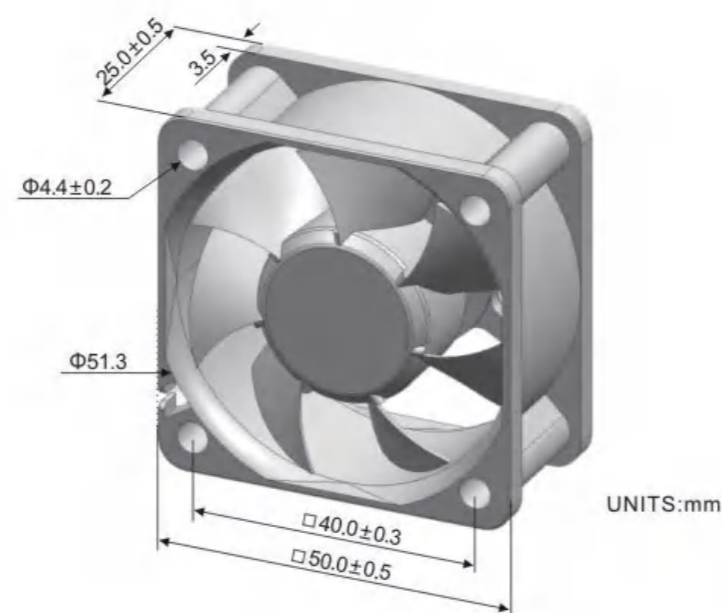
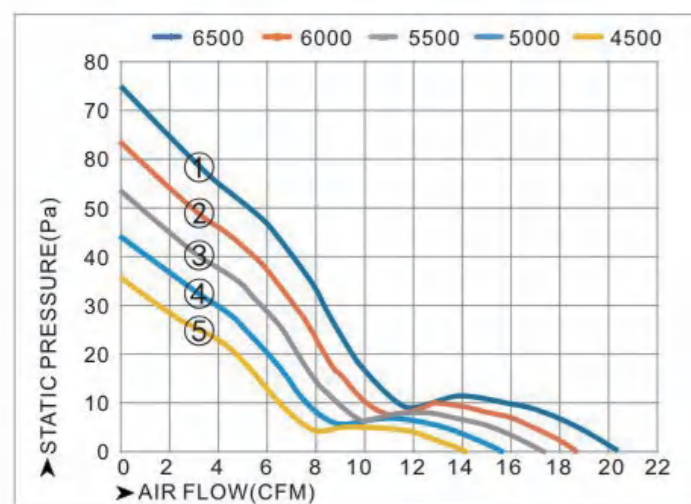
Product Characteristic

- Material: Frame: Plastic(UL94-VO) Impeller: Plastic(UL94-VO)
- Voltage: 5VDC(4.0~5.5VDC), 12VDC(6~13.8VDC), 24VDC(12~27.6VDC)
- Temperature: Operation Temperature: -10~70°C(Non-condensing)
- Specials: AS, RD, FG, PWM, Temperature Control, IP56



Technical Specifications

Model	Voltage	Current	Speed	Air Volume		Static Pressure			Noise	Weight	Curve
	V	A	RPM	CFM	m³/min	mm-H2O	Inch-H2O	Pa	dBA	g	
LWAD5025KX-01	5	0.6	6500	20.5	0.58	7.6	0.3	75	38.6	36g	①
LWAD5025KH-02	5	0.5	6000	18.9	0.54	6.5	0.26	64	36.9	36g	②
LWAD5025KM-03	5	0.4	5500	17.3	0.49	5.5	0.22	54	35	36g	③
LWAD5025KL-04	5	0.35	5000	15.8	0.45	4.5	0.18	44	32.9	36g	④
LWAD5025KD-05	5	0.26	4500	14.2	0.4	3.7	0.14	36	30.6	36g	⑤
LWAD5025LX-01	12	0.28	6500	20.5	0.58	7.6	0.3	75	38.6	36g	①
LWAD5025LH-02	12	0.24	6000	18.9	0.54	6.5	0.26	64	36.9	36g	②
LWAD5025LM-03	12	0.2	5500	17.3	0.49	5.5	0.22	54	35	36g	③
LWAD5025LL-04	12	0.16	5000	15.8	0.45	4.5	0.18	44	32.9	36g	④
LWAD5025LD-05	12	0.12	4500	14.2	0.4	3.7	0.14	36	30.6	36g	⑤
LWAD5025MX-01	24	0.18	6500	20.5	0.58	7.6	0.3	75	38.6	36g	①
LWAD5025MH-02	24	0.16	6000	18.9	0.54	6.5	0.26	64	36.9	36g	②
LWAD5025MM-03	24	0.14	5500	17.3	0.49	5.5	0.22	54	35	36g	③
LWAD5025ML-04	24	0.12	5000	15.8	0.45	4.5	0.18	44	32.9	36g	④
LWAD5025MD-05	24	0.1	4500	14.2	0.4	3.7	0.14	36	30.6	36g	⑤



LWAD6010 Series

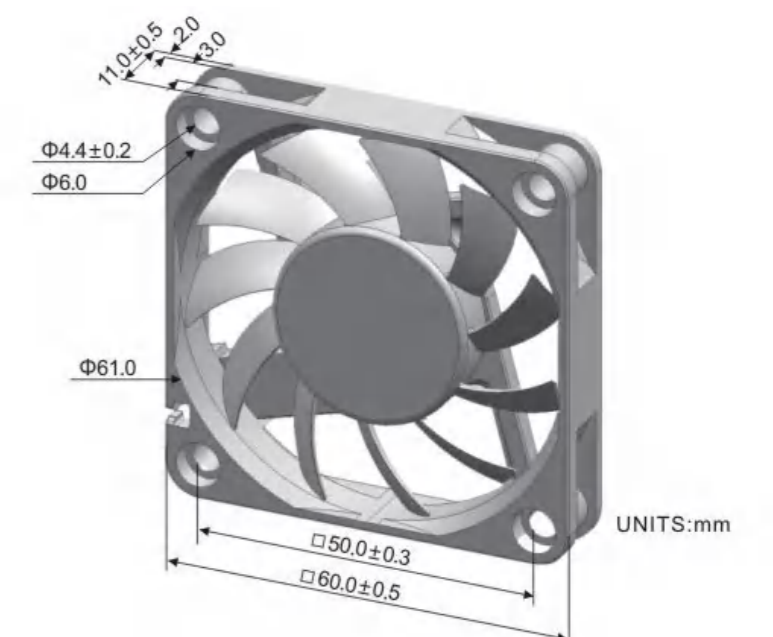
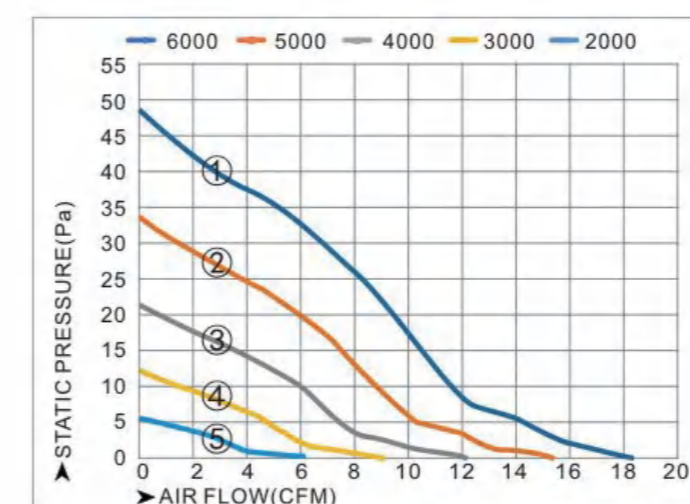
Product Characteristic

- Material: Frame: Plastic(UL94-VO) Impeller: Plastic(UL94-VO)
- Voltage: 5VDC(4.0~5.5VDC), 12VDC(6~13.8VDC), 24VDC(12~27.6VDC)
- Temperature: Operation Temperature: -10~70°C(Non-condensing)
- Specials: AS, RD, FG, PWM, Temperature Control, IP56



Technical Specifications

Model	Voltage	Current	Speed	Air Volume		Static Pressure			Noise	Weight	Curve
	V	A	RPM	CFM	m³/min	mm-H2O	Inch-H2O	Pa	dBA	g	
LWAD6010KX-01	5	0.4	6000	18.4	0.52	5	0.2	49	40.1	28g	①
LWAD6010KH-02	5	0.35	5000	15.3	0.43	3.5	0.14	34	36.1	28g	②
LWAD6010KM-03	5	0.32	4000	12.3	0.35	2.2	0.09	22	31.3	28g	③
LWAD6010KL-04	5	0.22	3000	9.2	0.26	1.2	0.05	12	25	28g	④
LWAD6010KD-05	5	0.15	2000	6.1	0.17	0.6	0.02	5	16.2	28g	⑤
LWAD6010LX-01	12	0.2	6000	18.4	0.52	5	0.2	49	40.1	28g	①
LWAD6010LH-02	12	0.18	5000	15.3	0.43	3.5	0.14	34	36.1	28g	②
LWAD6010LM-03	12	0.16	4000	12.3	0.35	2.2	0.09	22	31.3	28g	③
LWAD6010LL-04	12	0.1	3000	9.2	0.26	1.2	0.05	12	25	28g	④
LWAD6010LD-05	12	0.06	2000	6.1	0.17	0.6	0.02	5	16.2	28g	⑤
LWAD6010MX-01	24	0.15	6000	18.4	0.52	5	0.2	49	40.1	28g	①
LWAD6010MH-02	24	0.12	5000	15.3	0.43	3.5	0.14	34	36.1	28g	②
LWAD6010MM-03	24	0.1	4000	12.3	0.35	2.2	0.09	22	31.3	28g	③
LWAD6010ML-04	24	0.08	3000	9.2	0.26	1.2	0.05	12	25	28g	④
LWAD6010MD-05	24	0.06	2000	6.1	0.17	0.6	0.02	5	16.2	28g	⑤



LWAD6015 Series

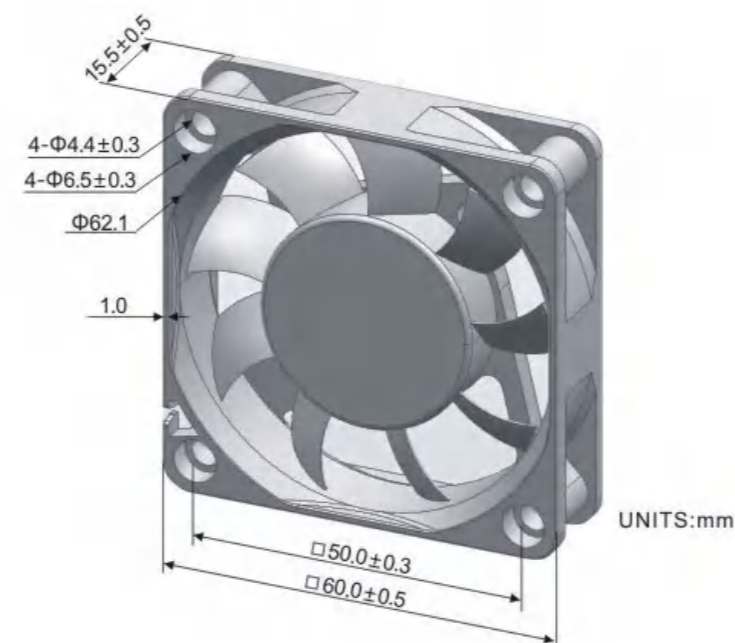
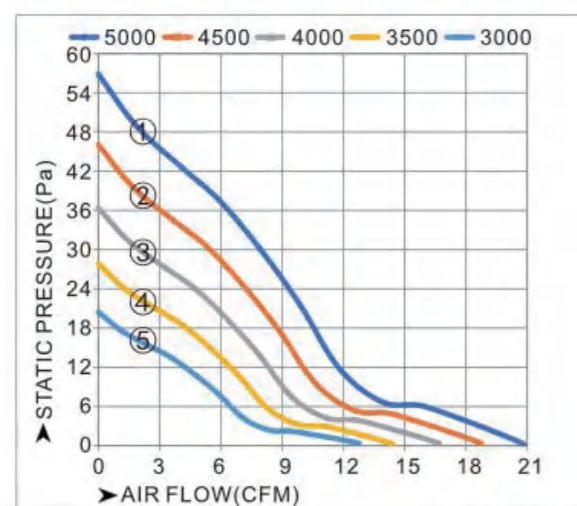
Product Characteristic

- Material: Frame: Plastic(UL94-VO) Impeller: Plastic(UL94-VO)
- Voltage: 5VDC(4.0~5.5VDC), 12VDC(6~13.8VDC), 24VDC(12~27.6VDC)
- Temperature: Operation Temperature: -10~70°C(Non-condensing)
- Specials: AS, RD, FG, PWM, Temperature Control, IP56



Technical Specifications

Model	Voltage	Current	Speed	Air Volume		Static Pressure			Noise	Weight	Curve
	V	A	RPM	CFM	m³/min	mm-H2O	Inch-H2O	Pa	dBA	g	
LWAD6015KX-01	5	0.6	5000	20.9	0.59	5.8	0.23	57	39.8	39g	①
LWAD6015KH-02	5	0.5	4500	18.8	0.53	4.7	0.18	46	37.5	39g	②
LWAD6015KM-03	5	0.45	4000	16.7	0.47	3.7	0.15	36	35	39g	③
LWAD6015KL-04	5	0.4	3500	14.6	0.41	2.8	0.11	28	32.1	39g	④
LWAD6015KD-05	5	0.3	3000	12.5	0.36	2.1	0.08	20	28.7	39g	⑤
LWAD6015LX-01	12	0.3	5000	20.9	0.59	5.8	0.23	57	39.8	39g	①
LWAD6015LH-02	12	0.25	4500	18.8	0.53	4.7	0.18	46	37.5	39g	②
LWAD6015LM-03	12	0.22	4000	16.7	0.47	3.7	0.15	36	35	39g	③
LWAD6015LL-04	12	0.2	3500	14.6	0.41	2.8	0.11	28	32.1	39g	④
LWAD6015LD-05	12	0.15	3000	12.5	0.36	2.1	0.08	20	28.7	39g	⑤
LWAD6015MX-01	24	0.2	5000	20.9	0.59	5.8	0.23	57	39.8	39g	①
LWAD6015MH-02	24	0.16	4500	18.8	0.53	4.7	0.18	46	37.5	39g	②
LWAD6015MM-03	24	0.14	4000	16.7	0.47	3.7	0.15	36	35	39g	③
LWAD6015ML-04	24	0.12	3500	14.6	0.41	2.8	0.11	28	32.1	39g	④
LWAD6015MD-05	24	0.1	3000	12.5	0.36	2.1	0.08	20	28.7	39g	⑤



LWAD6020 Series

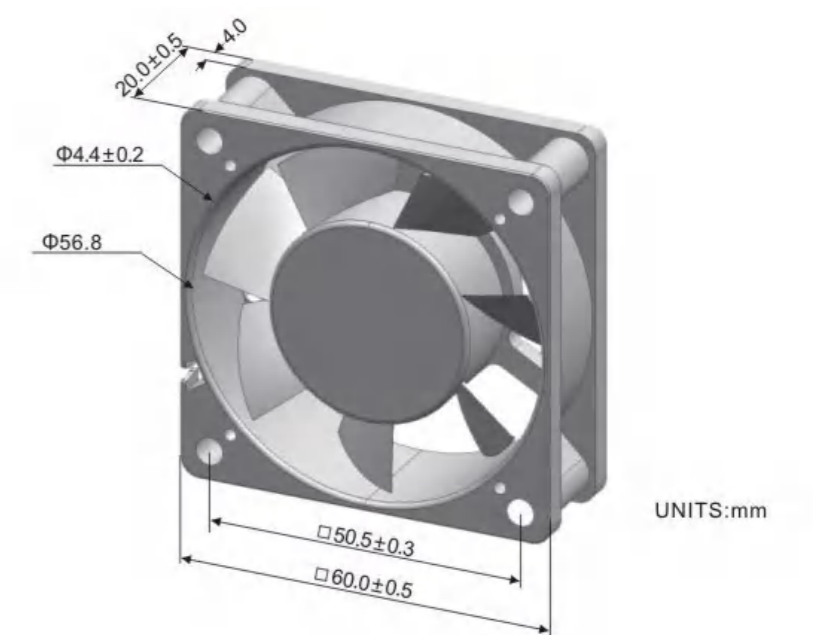
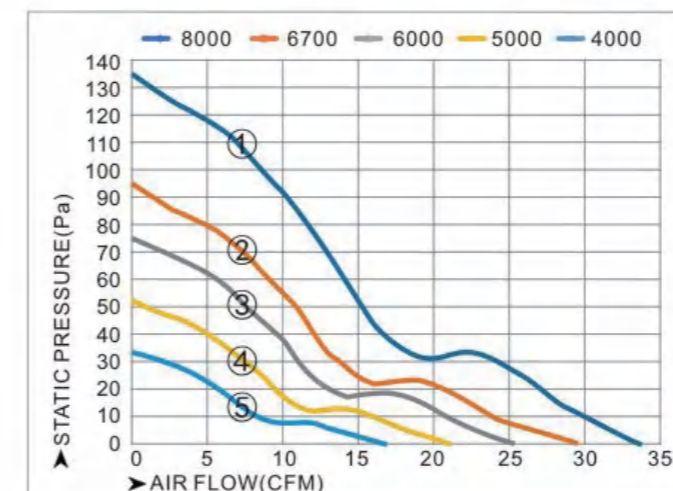
Product Characteristic

- Material: Frame: Plastic(UL94-VO) Impeller: Plastic(UL94-VO)
- Voltage: 12VDC(6~13.8VDC), 24VDC(12~27.6VDC), 48VDC(24~56VDC)
- Temperature: Operation Temperature: -10~70°C(Non-condensing)
- Specials: AS, RD, FG, PWM, Temperature Control, IP56



Technical Specifications

Model	Voltage	Current	Speed	Air Volume		Static Pressure			Noise	Weight	Curve
	V	A	RPM	CFM	m³/min	mm-H2O	Inch-H2O	Pa	dBA	g	
LWAD6020LX-01	12	0.55	8000	33.7	0.95	13.6	0.54	133	49.9	52g	①
LWAD6020LH-02	12	0.5	6700	29.5	0.8	10.4	0.38	102	46	52g	②
LWAD6020LM-03	12	0.4	6000	25.3	0.72	7.6	0.3	75	43.7	52g	③
LWAD6020LL-04	12	0.3	5000	21.1	0.57	5.3	0.21	52	39.7	52g	④
LWAD6020LD-05	12	0.2	4000	16.9	0.45	3.4	0.13	33	34.8	52g	⑤
LWAD6020MX-01	24	0.3	8000	33.7	0.95	13.6	0.54	133	49.9	52g	①
LWAD6020MH-02	24	0.25	7000	29.5	0.84	10.4	0.41	102	47	52g	②
LWAD6020MM-03	24	0.2	6000	25.3	0.72	7.6	0.3	75	43.7	52g	③
LWAD6020ML-04	24	0.15	5000	21.1	0.6	5.3	0.21	52	39.7	52g	④
LWAD6020MD-05	24	0.1	4000	16.9	0.48	3.4	0.13	33	34.8	52g	⑤
LWAD6020HX-01	48	0.16	8000	33.7	0.95	13.6	0.54	133	49.9	52g	①
LWAD6020HH-02	48	0.14	7000	29.5	0.84	10.4	0.41	102	47	52g	②
LWAD6020HM-03	48	0.12	6000	25.3	0.72	7.6	0.3	75	43.7	52g	③
LWAD6020HL-04	48	0.1	5000	21.1	0.6	5.3	0.21	52	39.7	52g	④
LWAD6020HD-05	48	0.08	4000	16.9	0.48	3.4	0.13	33	34.8	52g	⑤



LWAD6025 Series

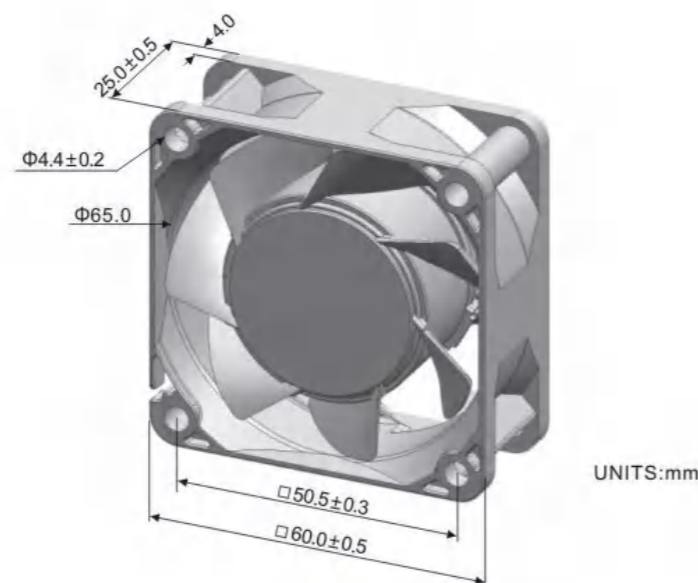
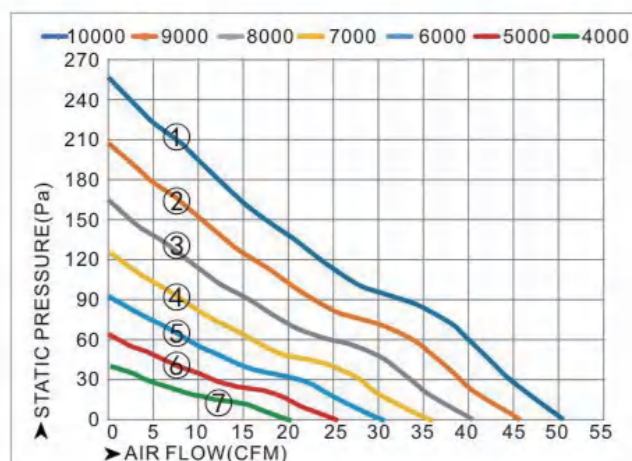
Product Characteristic

- Material: Frame: Plastic(UL94-VO) Impeller: Plastic(UL94-VO)
- Voltage: 12VDC(6~13.8VDC),24VDC(12~27.6VDC),48VDC(24~56VDC)
- Temperature: Operation Temperature: -10~70°C(Non-condensing)
- Specials: AS, RD, FG, PWM, Temperature Control, IP56, IP68



Technical Specifications

Model	Voltage	Current	Speed	Air Volume		Static Pressure			Noise	Weight	Curve
	V	A	RPM	CFM	m³/min	mm-H2O	Inch-H2O	Pa	dBA	g	
LWAD6025LX-01	12	1.2	10000	50.5	1.43	26.1	1.03	256	54.5	70g	①
LWAD6025LX-02	12	1.2	9000	45.5	1.29	21.1	0.83	207	52.2	70g	②
LWAD6025LX-03	12	1.2	8000	40.4	1.14	16.7	0.66	164	49.7	70g	③
LWAD6025LH-03	12	0.6	7000	35.4	1	12.8	0.5	125	46.8	70g	④
LWAD6025LM-04	12	0.5	6000	30.3	0.86	9.4	0.37	92	43.4	70g	⑤
LWAD6025LL-05	12	0.4	5000	25.3	0.72	6.5	0.26	64	39.4	70g	⑥
LWAD6025LD-06	12	0.3	4000	20.2	0.57	4.2	0.16	41	34.6	70g	⑦
LWAD6025MX-01	24	0.6	10000	50.5	1.43	26.1	1.03	256	54.5	70g	①
LWAD6025MX-02	24	0.6	9000	45.5	1.29	21.1	0.83	207	52.2	70g	②
LWAD6025MX-03	24	0.6	8000	40.4	1.14	16.7	0.66	164	49.7	70g	③
LWAD6025MH-03	24	0.35	7000	35.4	1	12.8	0.5	125	46.8	70g	④
LWAD6025MM-04	24	0.3	6000	30.3	0.86	9.4	0.37	92	43.4	70g	⑤
LWAD6025ML-05	24	0.25	5000	25.3	0.72	6.5	0.26	64	39.4	70g	⑥
LWAD6025MD-06	24	0.2	4000	20.2	0.57	4.2	0.16	41	34.6	70g	⑦
LWAD6025HX-01	48	0.4	10000	50.5	1.43	26.1	1.03	256	54.5	70g	①
LWAD6025HX-02	48	0.4	9000	45.5	1.29	21.1	0.83	207	52.2	70g	②
LWAD6025HX-03	48	0.4	8000	40.4	1.14	16.7	0.66	164	49.7	70g	③
LWAD6025HH-03	48	0.25	7000	35.4	1	12.8	0.5	125	46.8	70g	④
LWAD6025HM-04	48	0.2	6000	30.3	0.86	9.4	0.37	92	43.4	70g	⑤
LWAD6025HL-05	48	0.15	5000	25.3	0.72	6.5	0.26	64	39.4	70g	⑥
LWAD6025HD-06	48	0.1	4000	20.2	0.57	4.2	0.16	41	34.6	70g	⑦



LWAD6038 Series

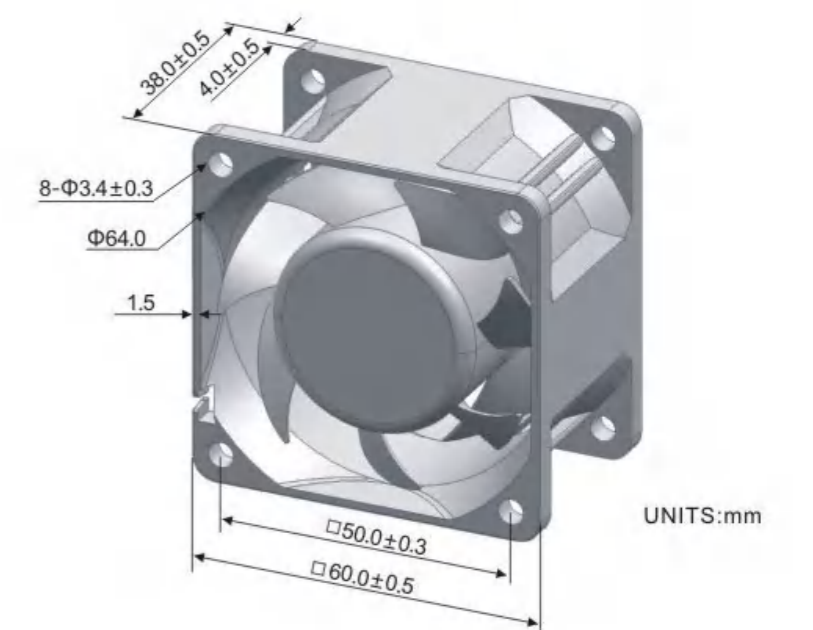
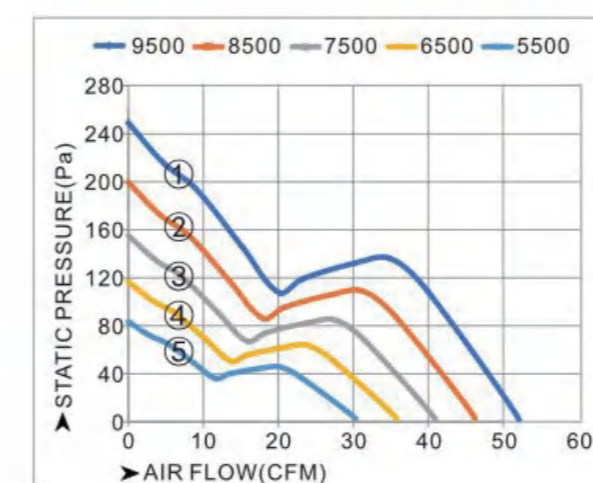
Product Characteristic

- Material: Frame: Plastic(UL94-VO) Impeller: Plastic(UL94-VO)
- Voltage: 12VDC(6~13.8VDC),24VDC(12~27.6VDC),48VDC(24~56VDC)
- Temperature: Operation Temperature: -10~70°C(Non-condensing)
- Specials: AS, RD, FG, PWM, Temperature Control, IP56



Technical Specifications

Model	Voltage	Current	Speed	Air Volume		Static Pressure			Noise	Weight	Curve
	V	A	RPM	CFM	m³/min	mm-H2O	Inch-H2O	Pa	dBA	g	
LWAD6038LX-01	12	1	9500	52.1	1.48	25.4	1	249	57.3	90g	①
LWAD6038LH-02	12	0.8	8500	46.6	1.32	20.4	0.8	200	54.9	90g	②
LWAD6038LM-03	12	0.6	7500	41.2	1.17	15.9	0.62	155	52.2	90g	③
LWAD6038LL-04	12	0.4	6500	35.7	1.01	11.9	0.47	117	49.1	90g	④
LWAD6038LD-05	12	0.3	5500	30.2	0.85	8.5	0.34	84	45.5	90g	⑤
LWAD6038MX-01	24	0.7	9500	52.1	1.48	25.4	1	249	57.3	90g	①
LWAD6038MH-02	24	0.5	8500	46.6	1.32	20.4	0.8	200	54.9	90g	②
LWAD6038MM-03	24	0.4	7500	41.2	1.17	15.9	0.62	155	52.2	90g	③
LWAD6038ML-04	24	0.25	6500	35.7	1.01	11.9	0.47	117	49.1	90g	④
LWAD6038MD-05	24	0.2	5500	30.2	0.85	8.5	0.34	84	45.5	90g	⑤
LWAD6038HX-01	48	0.4	9500	52.1	1.48	25.4	1	249	57.3	90g	①
LWAD6038HH-02	48	0.28	8500	46.6	1.32	20.4	0.8	200	54.9	90g	②
LWAD6038HM-03	48	0.2	7500	41.2	1.17	15.9	0.62	155	52.2	90g	③
LWAD6038HL-04	48	0.15	6500	35.7	1.01	11.9	0.47	117	49.1	90g	④
LWAD6038HD-05	48	0.12	5500	30.2	0.85	8.5	0.34	84	45.5	90g	⑤



LWAD7010 Series

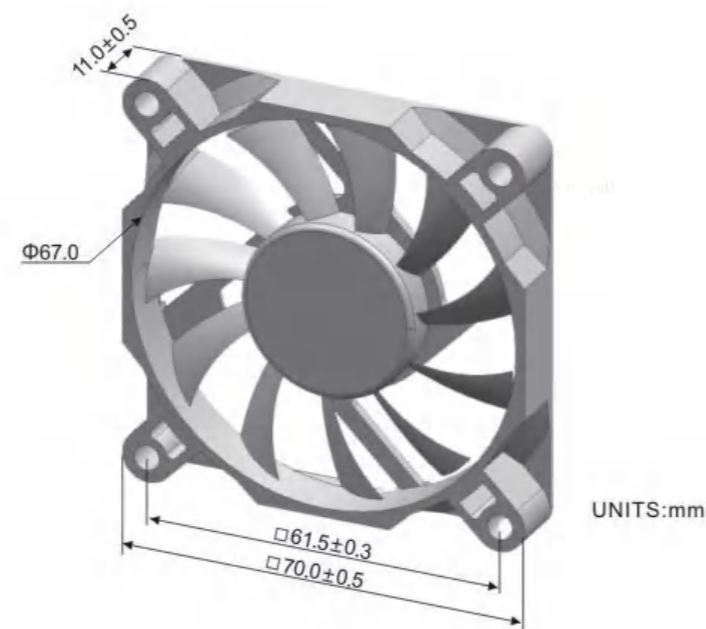
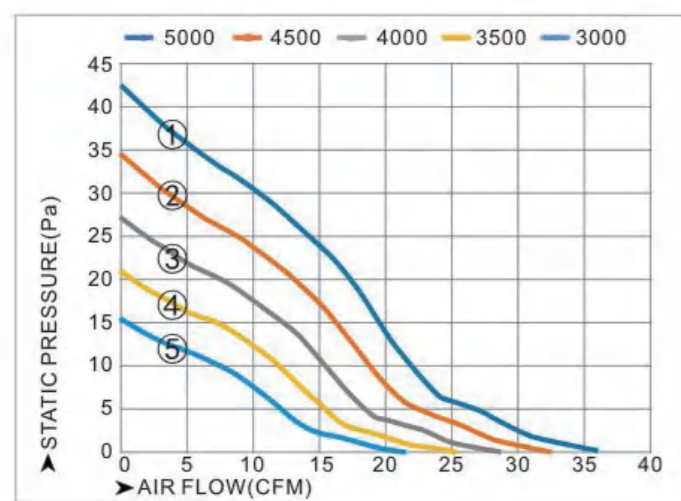
Product Characteristic

- Material: Frame: Plastic(UL94-VO) Impeller: Plastic(UL94-VO)
- Voltage: 5VDC(4.0~5.5VDC), 12VDC(6~13.8VDC), 24VDC(12~27.6VDC)
- Temperature: Operation Temperature: -10~70°C(Non-condensing)
- Specials: AS, RD, FG, PWM, Temperature Control, IP56



Technical Specifications

Model	Voltage	Current	Speed	Air Volume		Static Pressure			Noise	Weight	Curve
	V	A	RPM	CFM	m³/min	mm-H2O	Inch-H2O	Pa	dBA	g	
LWAD7010KX-01	5	0.45	5000	35.9	1.02	4.4	0.17	43	40.5	28g	①
LWAD7010KH-02	5	0.4	4500	32.3	0.92	3.5	0.14	35	38.2	28g	②
LWAD7010KM-03	5	0.35	4000	28.7	0.81	2.8	0.11	27	35.7	28g	③
LWAD7010KL-04	5	0.25	3500	25.1	0.71	2.1	0.08	21	32.8	28g	④
LWAD7010KD-05	5	0.15	3000	21.5	0.61	1.6	0.06	15	29.4	28g	⑤
LWAD7010LX-01	12	0.2	5000	35.9	1.02	4.4	0.17	43	40.5	28g	①
LWAD7010LH-02	12	0.18	4500	32.3	0.92	3.5	0.14	35	38.2	28g	②
LWAD7010LM-03	12	0.16	4000	28.7	0.81	2.8	0.11	27	35.7	28g	③
LWAD7010LL-04	12	0.1	3500	25.1	0.71	2.1	0.08	21	32.8	28g	④
LWAD7010LD-05	12	0.06	3000	21.5	0.61	1.6	0.06	15	29.4	28g	⑤
LWAD7010MX-01	24	0.12	5000	35.9	1.02	4.4	0.17	43	40.5	28g	①
LWAD7010MH-02	24	0.1	4500	32.3	0.92	3.5	0.14	35	38.2	28g	②
LWAD7010MM-03	24	0.09	4000	28.7	0.81	2.8	0.11	27	35.7	28g	③
LWAD7010ML-04	24	0.07	3500	25.1	0.71	2.1	0.08	21	32.8	28g	④
LWAD7010MD-05	24	0.06	3000	21.5	0.61	1.6	0.06	15	29.4	28g	⑤



LWAD7015 Series

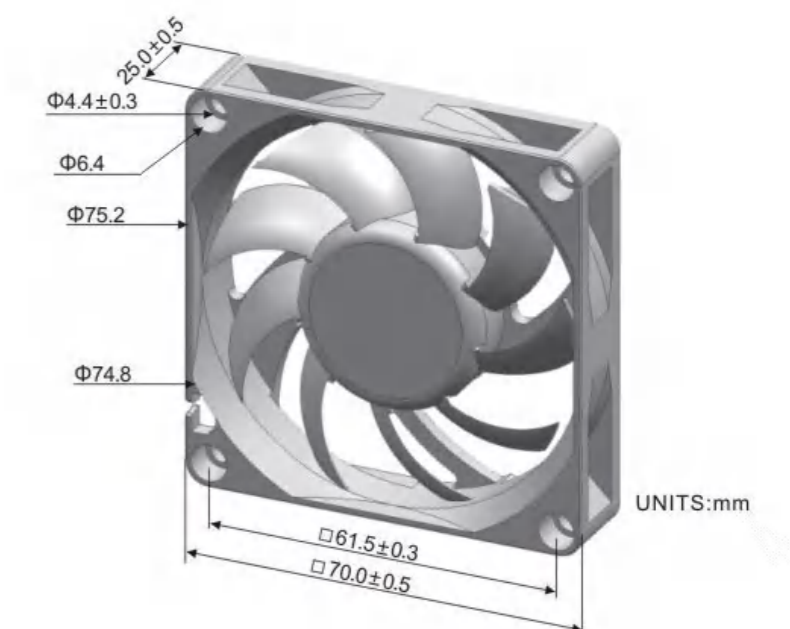
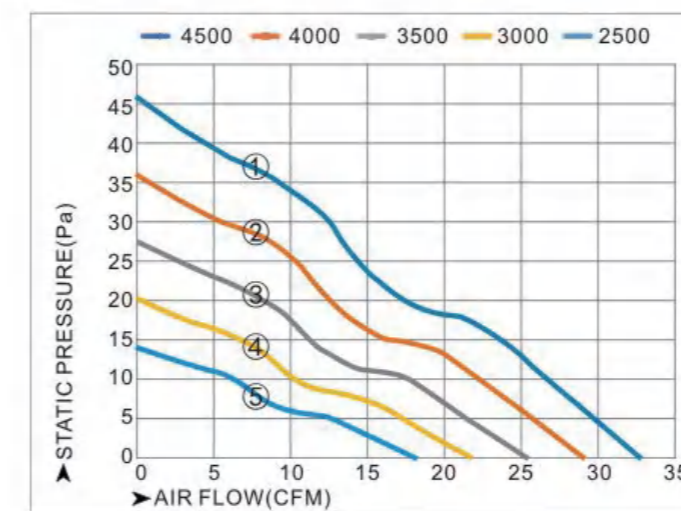
Product Characteristic

- Material: Frame: Plastic(UL94-VO) Impeller: Plastic(UL94-VO)
- Voltage: 5VDC(4.0~5.5VDC), 12VDC(6~13.8VDC), 24VDC(12~27.6VDC)
- Temperature: Operation Temperature: -10~70°C(Non-condensing)
- Specials: AS, RD, FG, PWM, Temperature Control, IP56



Technical Specifications

Model	Voltage	Current	Speed	Air Volume		Static Pressure			Noise	Weight	Curve
	V	A	RPM	CFM	m³/min	mm-H2O	Inch-H2O	Pa	dBA	g	
LWAD7015KX-01	5	0.6	4500	32.9	0.93	4.7	0.18	46	35.8	45g	①
LWAD7015KH-02	5	0.5	4000	29.2	0.83	3.7	0.15	36	33.2	45g	②
LWAD7015KM-03	5	0.45	3500	25.6	0.72	2.8	0.11	28	30.3	45g	③
LWAD7015KL-04	5	0.4	3000	21.9	0.62	2.1	0.08	20	27	45g	④
LWAD7015KD-05	5	0.3	2500	18.3	0.52	1.4	0.06	14	23	45g	⑤
LWAD7015LX-01	12	0.3	4500	32.9	0.93	4.7	0.18	46	35.8	45g	①
LWAD7015LH-02	12	0.26	4000	29.2	0.83	3.7	0.15	36	33.2	45g	②
LWAD7015LM-03	12	0.22	3500	25.6	0.72	2.8	0.11	28	30.3	45g	③
LWAD7015LL-04	12	0.2	3000	21.9	0.62	2.1	0.08	20	27	45g	④
LWAD7015LD-05	12	0.15	2500	18.3	0.52	1.4	0.06	14	23	45g	⑤
LWAD7015MX-01	24	0.2	4500	32.9	0.93	4.7	0.18	46	35.8	45g	①
LWAD7015MH-02	24	0.16	4000	29.2	0.83	3.7	0.15	36	33.2	45g	②
LWAD7015MM-03	24	0.14	3500	25.6	0.72	2.8	0.11	28	30.3	45g	③
LWAD7015ML-04	24	0.12	3000	21.9	0.62	2.1	0.08	20	27	45g	④
LWAD7015MD-05	24	0.1	2500	18.3	0.52	1.4	0.06	14	23	45g	⑤



LWAD7020 Series

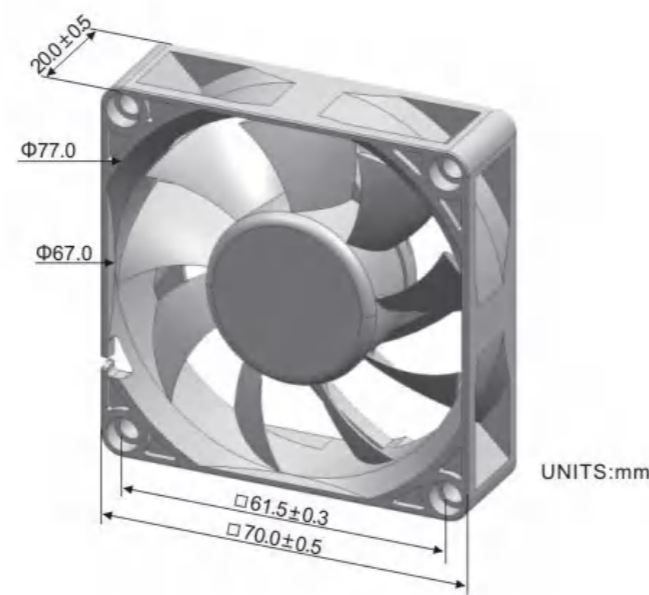
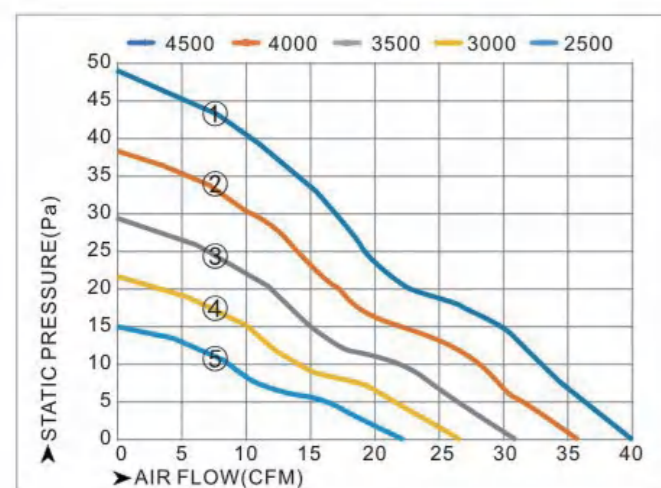
Product Characteristic

- Material: Frame: Plastic(UL94-VO) Impeller: Plastic(UL94-VO)
- Voltage: 12VDC(6~13.8VDC),24VDC(12~27.6VDC),48VDC(24~56VDC)
- Temperature: Operation Temperature: -10~70°C(Non-condensing)
- Specials: AS, RD, FG, PWM, Temperature Control, IP56



Technical Specifications

Model	Voltage	Current	Speed	Air Volume		Static Pressure			Noise	Weight	Curve
	V	A	RPM	CFM	m³/min	mm-H2O	Inch-H2O	Pa	dBA	g	
LWAD7020LX-01	12	0.35	4000	40.1	1.14	5	0.2	49	36.1	54g	①
LWAD7020LH-02	12	0.3	3500	35.1	0.99	3.8	0.15	37	33.2	54g	②
LWAD7020LM-03	12	0.25	3000	30.1	0.85	2.8	0.11	28	29.9	54g	③
LWAD7020LL-04	12	0.2	2500	25.1	0.57	1.9	0.08	19	25.9	54g	④
LWAD7020LD-05	12	0.15	2000	20.1	0.45	1.2	0.05	12	21	54g	⑤
LWAD7020MX-01	24	0.25	4000	40.1	1.14	5	0.2	49	36.1	54g	①
LWAD7020MH-02	24	0.22	3500	35.1	0.99	3.8	0.15	37	33.2	54g	②
LWAD7020MM-03	24	0.17	3000	30.1	0.85	2.8	0.11	28	29.9	54g	③
LWAD7020ML-04	24	0.15	2500	25.1	0.71	1.9	0.08	19	25.9	54g	④
LWAD7020MD-05	24	0.1	2000	20.1	0.57	1.2	0.05	12	21	54g	⑤
LWAD7020HX-01	48	0.18	4000	40.1	1.14	5	0.2	49	36.1	54g	①
LWAD7020HH-02	48	0.15	3500	35.1	0.99	3.8	0.15	37	33.2	54g	②
LWAD7020HM-03	48	0.13	3000	30.1	0.85	2.8	0.11	28	29.9	54g	③
LWAD7020HL-04	48	0.1	2500	25.1	0.71	1.9	0.08	19	25.9	54g	④
LWAD7020HD-05	48	0.08	2000	20.1	0.57	1.2	0.05	12	21	54g	⑤



LWAD7025 Series

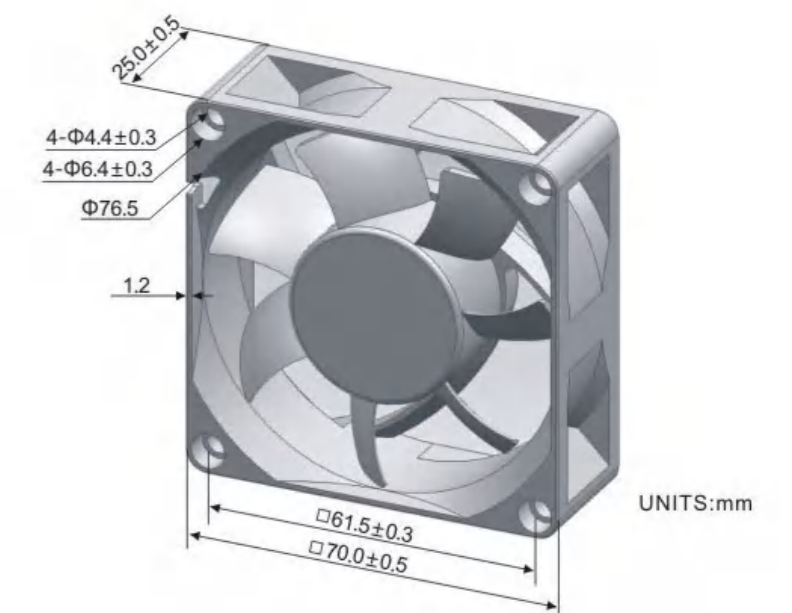
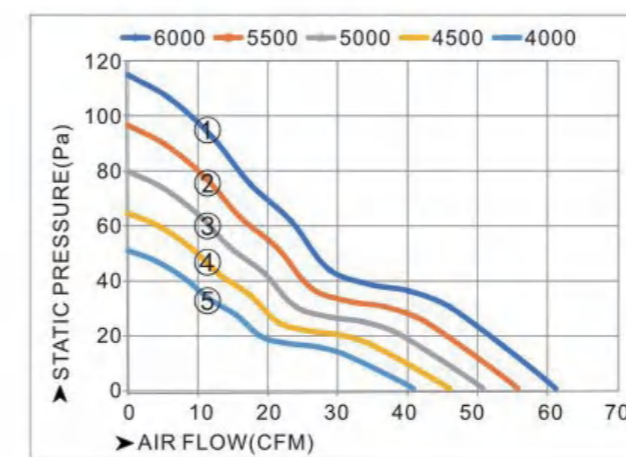
Product Characteristic

- Material: Frame: Plastic(UL94-VO) Impeller: Plastic(UL94-VO)
- Voltage: 12VDC(6~13.8VDC),24VDC(12~27.6VDC),48VDC(24~56VDC)
- Temperature: Operation Temperature: -10~70°C(Non-condensing)
- Specials: AS, RD, FG, PWM, Temperature Control, IP56



Technical Specifications

Model	Voltage	Current	Speed	Air Volume		Static Pressure			Noise	Weight	Curve
	V	A	RPM	CFM	m³/min	mm-H2O	Inch-H2O	Pa	dBA	g	
LWAD7025LX-01	12	0.7	6000	61	1.73	11.7	0.46	115	49.4	74g	①
LWAD7025LH-02	12	0.6	5500	55.9	1.58	9.8	0.39	97	47.5	74g	②
LWAD7025LM-03	12	0.5	5000	50.8	1.44	8.1	0.32	80	45.4	74g	③
LWAD7025LL-04	12	0.4	4500	45.8	1.3	6.6	0.26	65	43.2	74g	④
LWAD7025LD-05	12	0.3	4000	40.7	1.15	5.2	0.21	51	40.6	74g	⑤
LWAD7025MX-01	24	0.4	6000	61	1.73	11.7	0.46	115	49.4	74g	①
LWAD7025MH-02	24	0.35	5500	55.9	1.58	9.8	0.39	97	47.5	74g	②
LWAD7025MM-03	24	0.3	5000	50.8	1.44	8.1	0.32	80	45.4	74g	③
LWAD7025ML-04	24	0.25	4500	45.8	1.3	6.6	0.26	65	43.2	74g	④
LWAD7025MD-05	24	0.2	4000	40.7	1.15	5.2	0.21	51	40.6	74g	⑤
LWAD7025HX-01	48	0.3	6000	61	1.73	11.7	0.46	115	49.4	74g	①
LWAD7025HH-02	48	0.25	5500	55.9	1.58	9.8	0.39	97	47.5	74g	②
LWAD7025HM-03	48	0.2	5000	50.8	1.44	8.1	0.32	80	45.4	74g	③
LWAD7025HL-04	48	0.15	4500	45.8	1.3	6.6	0.26	65	43.2	74g	④
LWAD7025HD-05	48	0.1	4000	40.7	1.15	5.2	0.21	51	40.6	74g	⑤



LWAD8010 Series

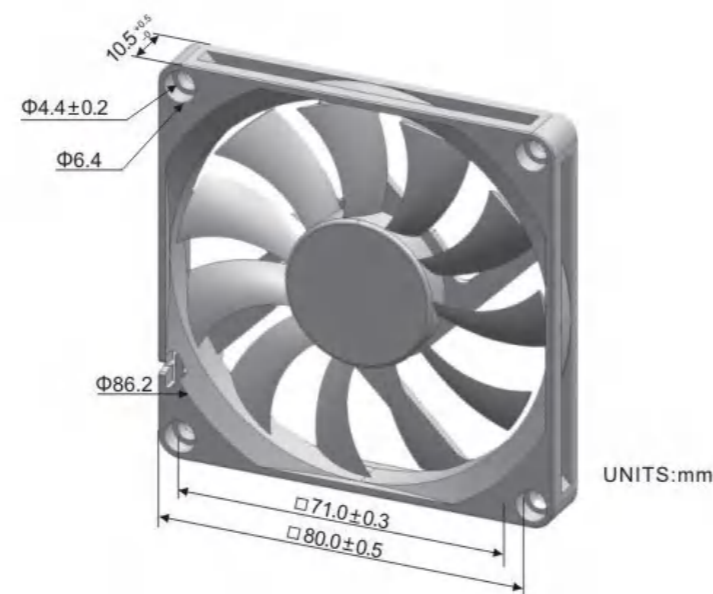
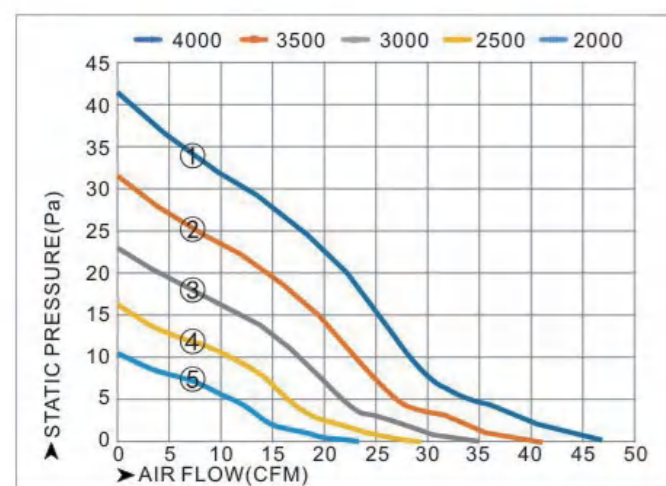
Product Characteristic

- Material: Frame: Plastic(UL94-VO) Impeller: Plastic(UL94-VO)
- Voltage: 5VDC(4.0~5.5VDC), 12VDC(6~13.8VDC), 24VDC(12~27.6VDC)
- Temperature: Operation Temperature: -10~70°C(Non-condensing)
- Specials: AS, RD, FG, PWM, Temperature Control, IP56



Technical Specifications

Model	Voltage	Current	Speed	Air Volume		Static Pressure			Noise	Weight	Curve
	V	A	RPM	CFM	m³/min	mm-H2O	Inch-H2O	Pa	dBA	g	
LWAD8010KX-01	5	0.45	4000	46.8	1.32	4.2	0.17	41	40	28g	①
LWAD8010KH-02	5	0.4	3500	40.9	1.16	3.2	0.13	32	37.1	28g	②
LWAD8010KM-03	5	0.35	3000	35.1	0.99	2.4	0.09	23	33.8	28g	③
LWAD8010KL-04	5	0.25	2500	29.2	0.83	1.7	0.07	16	29.8	28g	④
LWAD8010KD-05	5	0.15	2000	23.4	0.66	1.1	0.04	10	24.9	28g	⑤
LWAD8010LX-01	12	0.2	4000	46.8	1.32	4.2	0.17	41	40	28g	①
LWAD8010LH-02	12	0.18	3500	40.9	1.16	3.2	0.13	32	37.1	28g	②
LWAD8010LM-03	12	0.16	3000	35.1	0.99	2.4	0.09	23	33.8	28g	③
LWAD8010LL-04	12	0.1	2500	29.2	0.83	1.7	0.07	16	29.8	28g	④
LWAD8010LD-05	12	0.06	2000	23.4	0.66	1.1	0.04	10	24.9	28g	⑤
LWAD8010MX-01	24	0.12	4000	46.8	1.32	4.2	0.17	41	40	28g	①
LWAD8010MH-02	24	0.1	3500	40.9	1.16	3.2	0.13	32	37.1	28g	②
LWAD8010MM-03	24	0.09	3000	35.1	0.99	2.4	0.09	23	33.8	28g	③
LWAD8010ML-04	24	0.07	2500	29.2	0.83	1.7	0.07	16	29.8	28g	④
LWAD8010MD-05	24	0.06	2000	23.4	0.66	1.1	0.04	10	24.9	28g	⑤



LWAD8015 Series

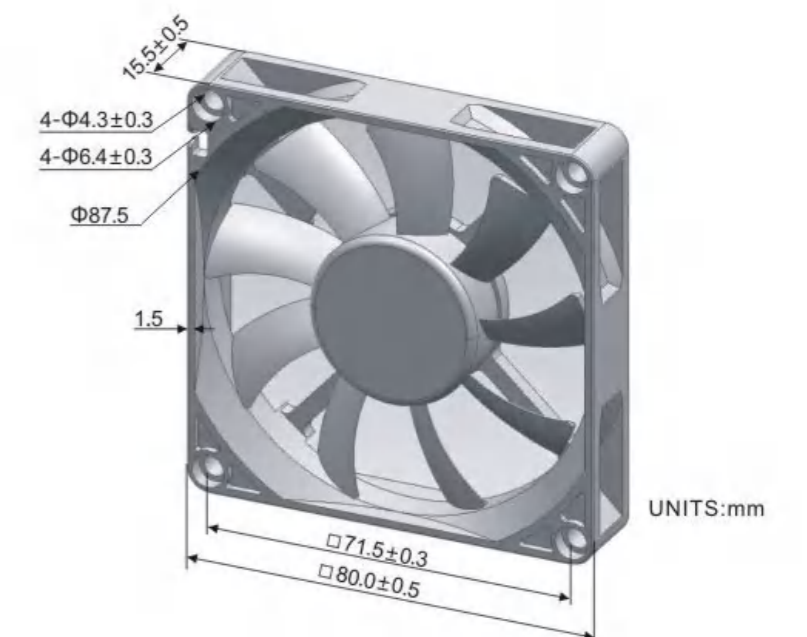
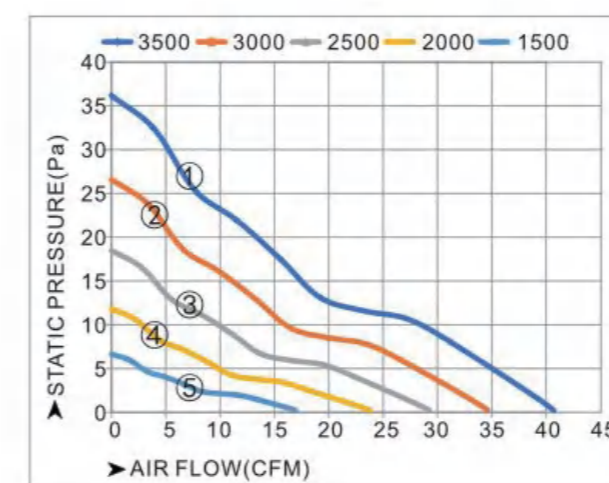
Product Characteristic

- Material: Frame: Plastic(UL94-VO) Impeller: Plastic(UL94-VO)
- Voltage: 5VDC(4.0~5.5VDC), 12VDC(6~13.8VDC), 24VDC(12~27.6VDC)
- Temperature: Operation Temperature: -10~70°C(Non-condensing)
- Specials: AS, RD, FG, PWM, Temperature Control, IP56



Technical Specifications

Model	Voltage	Current	Speed	Air Volume		Static Pressure			Noise	Weight	Curve
	V	A	RPM	CFM	m³/min	mm-H2O	Inch-H2O	Pa	dBA	g	
LWAD8015KX-01	5	0.65	3500	40.6	1.15	3.7	0.15	36	36.1	50g	①
LWAD8015KH-02	5	0.5	3000	34.8	0.99	2.7	0.11	27	32.8	50g	②
LWAD8015KM-03	5	0.4	2500	29	0.82	1.9	0.07	18	28.8	50g	③
LWAD8015KL-04	5	0.3	2000	23.2	0.66	1.2	0.05	12	23.9	50g	④
LWAD8015KD-05	5	0.2	1500	17.4	0.49	0.7	0.03	7	17.7	50g	⑤
LWAD8015LX-01	12	0.3	3500	40.6	1.15	3.7	0.15	36	36.1	50g	①
LWAD8015LH-02	12	0.25	3000	34.8	0.99	2.7	0.11	27	32.8	50g	②
LWAD8015LM-03	12	0.2	2500	29	0.82	1.9	0.07	18	28.8	50g	③
LWAD8015LL-04	12	0.15	2000	23.2	0.66	1.2	0.05	12	23.9	50g	④
LWAD8015LD-05	12	0.1	1500	17.4	0.49	0.7	0.03	7	17.7	50g	⑤
LWAD8015MX-01	24	0.15	3500	40.6	1.15	3.7	0.15	36	36.1	50g	①
LWAD8015MH-02	24	0.13	3000	34.8	0.99	2.7	0.11	27	32.8	50g	②
LWAD8015MM-03	24	0.1	2500	29	0.82	1.9	0.07	18	28.8	50g	③
LWAD8015ML-04	24	0.08	2000	23.2	0.66	1.2	0.05	12	23.9	50g	④
LWAD8015MD-05	24	0.06	1500	17.4	0.49	0.7	0.03	7	17.7	50g	⑤



LWAD8020 Series

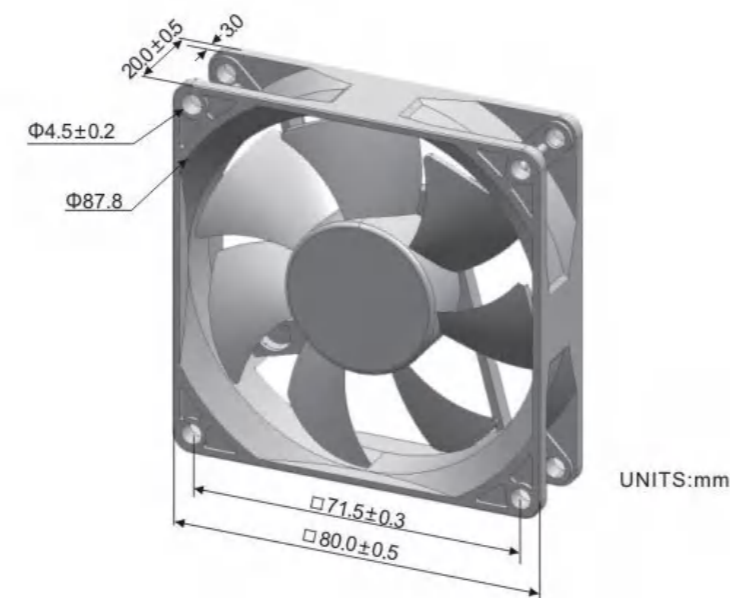
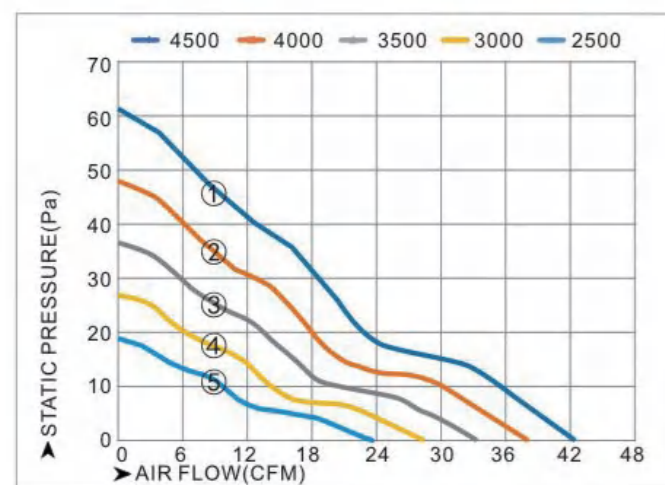
Product Characteristic

- Material: Frame: Plastic(UL94-VO) Impeller: Plastic(UL94-VO)
- Voltage: 12VDC(6~13.8VDC),24VDC(12~27.6VDC),48VDC(24~56VDC)
- Temperature: Operation Temperature: -10~70°C(Non-condensing)
- Specials: AS, RD, FG, PWM, Temperature Control, IP56



Technical Specifications

Model	Voltage	Current	Speed	Air Volume		Static Pressure			Noise	Weight	Curve
	V	A	RPM	CFM	m³/min	mm-H2O	Inch-H2O	Pa	dBA	g	
LWAD8020LX-01	12	0.35	4500	42.6	1.21	6.3	0.25	62	43.4	57g	①
LWAD8020LH-02	12	0.3	4000	37.9	1.07	5	0.2	49	40.8	57g	②
LWAD8020LM-03	12	0.25	3500	33.2	0.94	3.8	0.15	37	37.9	57g	③
LWAD8020LL-04	12	0.2	3000	28.4	0.8	2.8	0.11	27	34.6	57g	④
LWAD8020LD-05	12	0.15	2500	23.7	0.67	1.9	0.08	19	30.6	57g	⑤
LWAD8020MX-01	24	0.25	4500	42.6	1.21	6.3	0.25	62	43.4	57g	①
LWAD8020MH-02	24	0.22	4000	37.9	1.07	5	0.2	49	40.8	57g	②
LWAD8020MM-03	24	0.17	3500	33.2	0.94	3.8	0.15	37	37.9	57g	③
LWAD8020ML-04	24	0.15	3000	28.4	0.8	2.8	0.11	27	34.6	57g	④
LWAD8020MD-05	24	0.1	2500	23.7	0.67	1.9	0.08	19	30.6	57g	⑤
LWAD8020HX-01	48	0.18	4500	42.6	1.21	6.3	0.25	62	43.4	57g	①
LWAD8020HH-02	48	0.15	4000	37.9	1.07	5	0.2	49	40.8	57g	②
LWAD8020HM-03	48	0.13	3500	33.2	0.94	3.8	0.15	37	37.9	57g	③
LWAD8020HL-04	48	0.1	3000	28.4	0.8	2.8	0.11	27	34.6	57g	④
LWAD8020HD-05	48	0.08	2500	23.7	0.67	1.9	0.08	19	30.6	57g	⑤



LWAD8025 Series

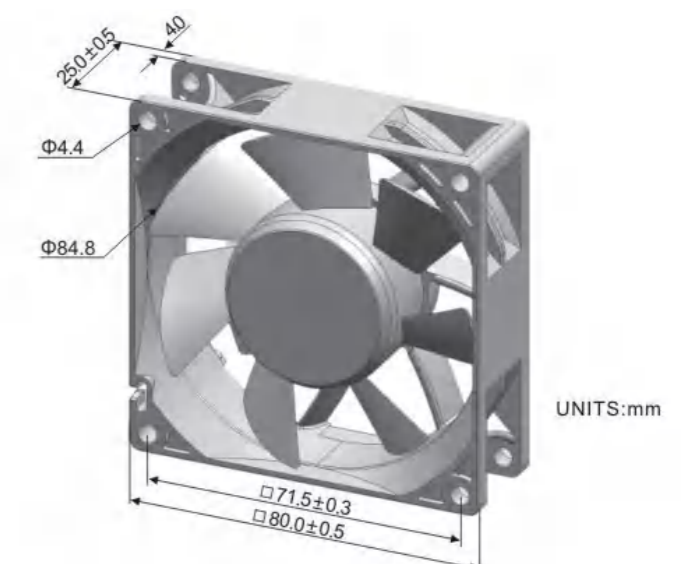
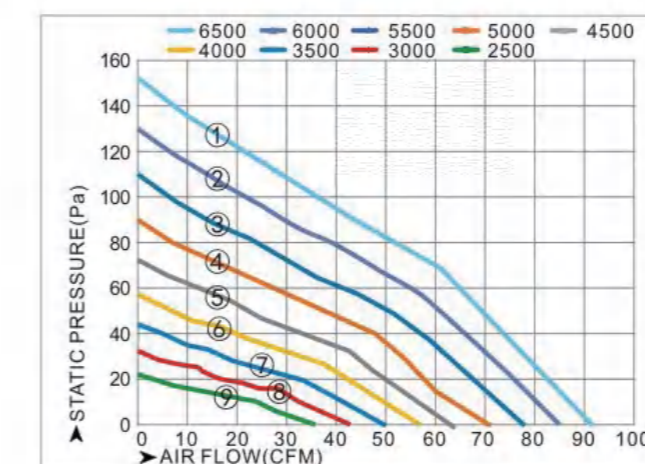
Product Characteristic

- Material: Frame: Plastic(UL94-VO) Impeller: Plastic(UL94-VO)
- Voltage: 12VDC(6~13.8VDC),24VDC(12~27.6VDC),48VDC(24~56VDC)
- Temperature: Operation Temperature: -10~70°C(Non-condensing)
- Specials: AS, RD, FG, PWM, Temperature Control, IP56, IP68



Technical Specifications

Model	Voltage	Current	Speed	Air Volume		Static Pressure			Noise	Weight	Curve
	V	A	RPM	CFM	m³/min	mm-H2O	Inch-H2O	Pa	dBA	g	
LWAD8025LX-01	12	1.6	6500	91.6	2.59	15.6	0.61	153	51.2	95g	①
LWAD8025LX-02	12	1.6	6000	84.5	2.39	13.3	0.52	130	49.5	95g	②
LWAD8025LX-03	12	1.6	5500	77.5	2.19	11.1	0.44	109	47.6	95g	③
LWAD8025LX-04	12	1.6	5000	70.5	2	9.2	0.36	90	45.5	95g	④
LWAD8025LX-05	12	1.6	4500	63.4	1.8	7.5	0.29	73	43.2	95g	⑤
LWAD8025LH-06	12	1.2	4000	56.4	1.6	5.9	0.23	58	40.7	95g	⑥
LWAD8025LM-07	12	0.8	3500	49.3	1.4	4.5	0.18	44	37.8	95g	⑦
LWAD8025LL-08	12	0.6	3000	42.3	1.2	3.3	0.13	32	34.4	95g	⑧
LWAD8025LD-09	12	0.4	2500	35.2	1	2.3	0.09	23	30.5	95g	⑨
LWAD8025MX-01	24	1.2	6500	91.6	2.59	15.6	0.61	153	51.2	95g	①
LWAD8025MX-02	24	1.2	6000	84.5	2.39	13.3	0.52	130	49.5	95g	②
LWAD8025MX-03	24	1.2	5500	77.5	2.19	11.1	0.44	109	47.6	95g	③
LWAD8025MX-04	24	1.2	5000	70.5	2	9.2	0.36	90	45.5	95g	④
LWAD8025MX-05	24	1.2	4500	63.4	1.8	7.5	0.29	73	43.2	95g	⑤
LWAD8025MH-06	24	0.8	4000	56.4	1.6	5.9	0.23	58	40.7	95g	⑥
LWAD8025MM-07	24	0.6	3500	49.3	1.4	4.5	0.18	44	37.8	95g	⑦
LWAD8025ML-08	24	0.5	3000	42.3	1.2	3.3	0.13	32	34.4	95g	⑧
LWAD8025MD-09	24	0.3	2500	35.2	1	2.3	0.09	23	30.5	95g	⑨
LWAD8025HX-01	48	0.5	6500	91.6	2.59	15.6	0.61	153	51.2	95g	①
LWAD8025HX-02	48	0.5	6000	84.5	2.39	13.3	0.52	130	49.5	95g	②
LWAD8025HX-03	48	0.5	5500	77.5	2.19	11.1	0.44	109	47.6	95g	③
LWAD8025HX-04	48	0.5	5000	70.5	2	9.2	0.36	90	45.5	95g	④
LWAD8025HX-05	48	0.5	4500	63.4	1.8	7.5	0.29	73	43.2	95g	⑤
LWAD8025HH-06	48	0.4	4000	56.4	1.6	5.9	0.23	58	40.7	95g	⑥
LWAD8025HM-07	48	0.3	3500	49.3	1.4	4.5	0.18	44	37.8	95g	⑦
LWAD8025HL-08	48	0.2	3000	42.3	1.2	3.3	0.13	32	34.4	95g	⑧
LWAD8025HD-09	48	0.15	2500	35.2	1	2.3	0.09	23	30.5	95g	⑨



LWAD8025 Series

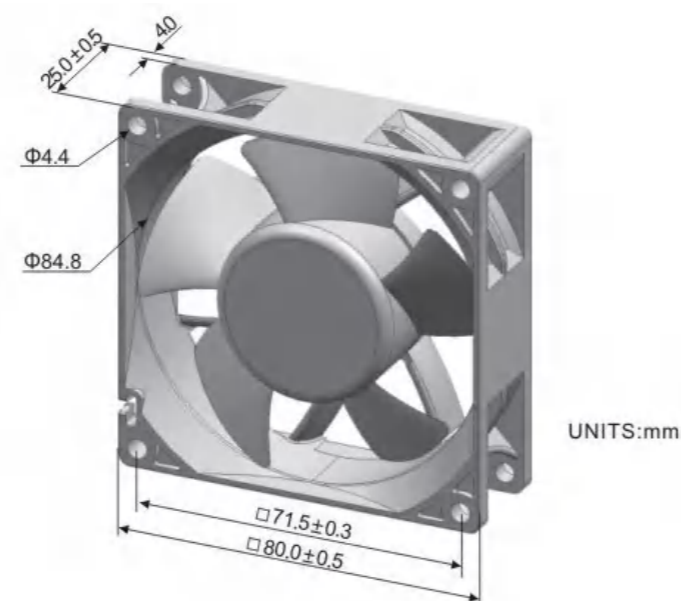
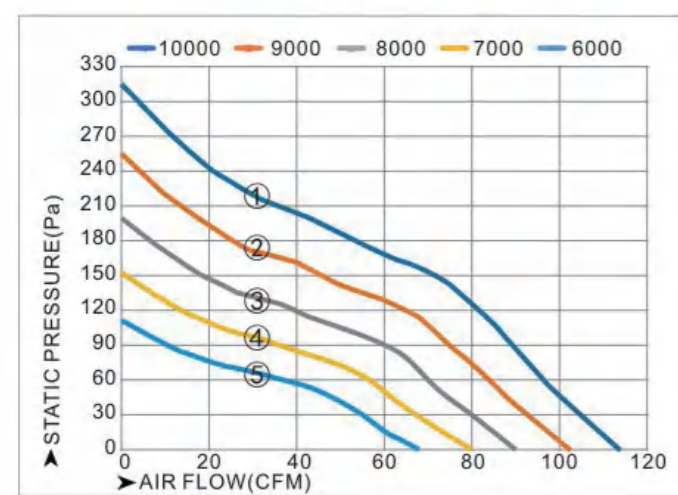
Product Characteristic

- Material: Frame: Plastic(UL94-VO) Impeller: Plastic(UL94-VO)
- Voltage: 12VDC(6~13.8VDC),24VDC(12~27.6VDC),48VDC(24~56VDC)
- Temperature: Operation Temperature: -10~70°C(Non-condensing)
- Specials: AS, RD, FG, PWM, Temperature Control, IP56, IP68



Technical Specifications

Model	Voltage	Current	Speed	Air Volume		Static Pressure			Noise	Weight	Curve
	V	A	RPM	CFM	m³/min	mm-H2O	Inch-H2O	Pa	dBA	g	
LWAD8025LX-10	12	1.6	10000	113.3	3.21	31.9	1.26	313	62.7	95g	①
LWAD8025LH-11	12	1.2	9000	102	2.89	25.9	1.02	254	60.4	95g	②
LWAD8025LM-12	12	0.8	8000	90.6	2.57	20.4	0.8	200	57.9	95g	③
LWAD8025LL-13	12	0.6	7000	79.3	2.25	15.7	0.62	153	55	95g	④
LWAD8025LD-14	12	0.4	6000	68	1.92	11.5	0.45	113	51.6	95g	⑤
LWAD8025MX-10	24	1.2	10000	113.3	3.21	31.9	1.26	313	62.7	95g	①
LWAD8025MH-11	24	0.8	9000	102	2.89	25.9	1.02	254	60.4	95g	②
LWAD8025MM-12	24	0.6	8000	90.6	2.57	20.4	0.8	200	57.9	95g	③
LWAD8025ML-13	24	0.5	7000	79.3	2.25	15.7	0.62	153	55	95g	④
LWAD8025MD-14	24	0.3	6000	68	1.92	11.5	0.45	113	51.6	95g	⑤
LWAD8025HX-10	48	0.5	10000	113.3	3.21	31.9	1.26	313	62.7	95g	④
LWAD8025HH-11	48	0.4	9000	102	2.89	25.9	1.02	254	60.4	95g	②
LWAD8025HM-12	48	0.3	8000	90.6	2.57	20.4	0.8	200	57.9	95g	③
LWAD8025HL-13	48	0.2	7000	79.3	2.25	15.7	0.62	153	55	95g	④
LWAD8025HD-14	48	0.15	6000	68	1.92	11.5	0.45	113	51.6	95g	⑤



LWAD8025 Series

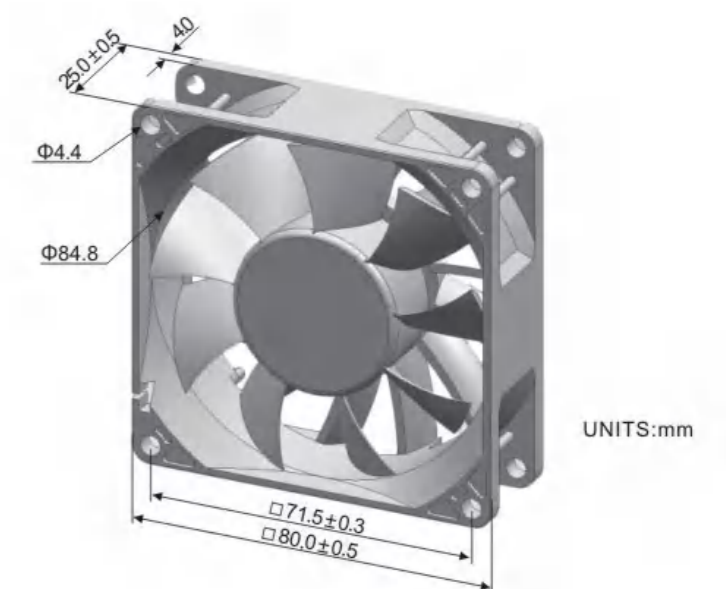
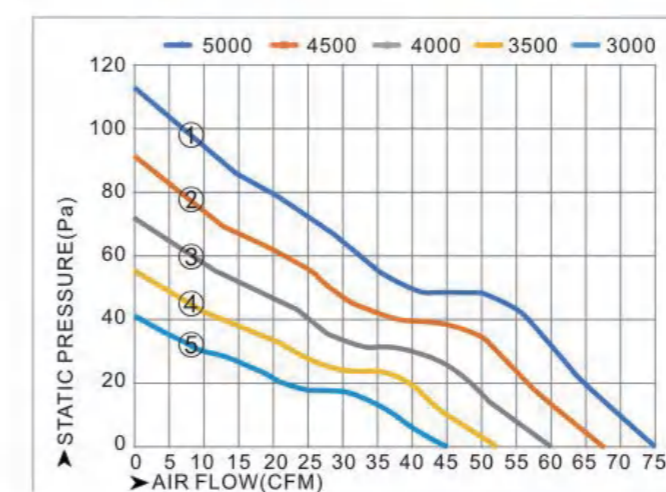
Product Characteristic

- Material: Frame: Plastic(UL94-VO) Impeller: Plastic(UL94-VO)
- Voltage: 12VDC(6~13.8VDC),24VDC(12~27.6VDC),48VDC(24~56VDC)
- Temperature: Operation Temperature: -10~70°C(Non-condensing)
- Specials: AS, RD, FG, PWM, Temperature Control, IP56, IP68



Technical Specifications

Model	Voltage	Current	Speed	Air Volume		Static Pressure			Noise	Weight	Curve
	V	A	RPM	CFM	m³/min	mm-H2O	Inch-H2O	Pa	dBA	g	
LWAD8025LX-15	12	1.6	5000	74.7	2.11	11.6	0.46	114	50.6	90g	①
LWAD8025LH-16	12	1.2	4500	67.2	1.9	9.4	0.37	92	48.3	90g	②
LWAD8025LM-17	12	0.8	4000	59.7	1.69	7.4	0.29	73	45.8	90g	③
LWAD8025LL-18	12	0.6	3500	52.3	1.48	5.7	0.22	56	42.9	90g	④
LWAD8025LD-19	12	0.4	3000	44.8	1.27	4.2	0.16	41	39.5	90g	⑤
LWAD8025MX-15	24	1.2	5000	74.7	2.11	11.6	0.46	114	50.6	90g	①
LWAD8025MH-16	24	0.8	4500	67.2	1.9	9.4	0.37	92	48.3	90g	②
LWAD8025MM-17	24	0.6	4000	59.7	1.69	7.4	0.29	73	45.8	90g	③
LWAD8025ML-18	24	0.5	3500	52.3	1.48	5.7	0.22	56	42.9	90g	④
LWAD8025MD-19	24	0.3	3000	44.8	1.27	4.2	0.16	41	39.5	90g	⑤
LWAD8025HX-15	48	0.5	5000	74.7	2.11	11.6	0.46	114	50.6	90g	①
LWAD8025HH-16	48	0.4	4500	67.2	1.9	9.4	0.37	92	48.3	90g	②
LWAD8025HM-17	48	0.3	4000	59.7	1.69	7.4	0.29	73	45.8	90g	③
LWAD8025HL-18	48	0.2	3500	52.3	1.48	5.7	0.22	56	42.9	90g	④
LWAD8025HD-19	48	0.15	3000	44.8	1.27	4.2	0.16	41	39.5	90g	⑤



LWAD8038 Series

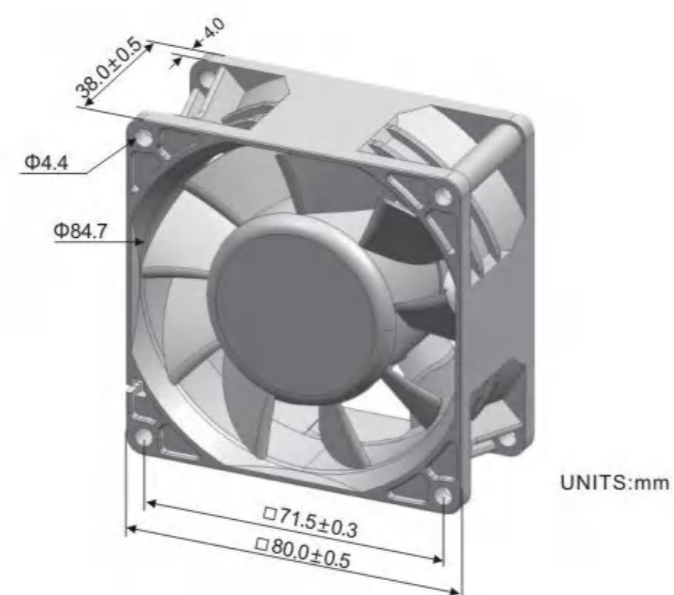
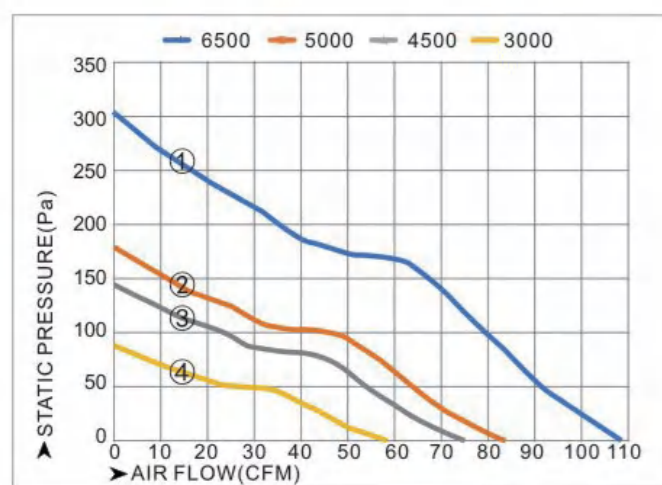
Product Characteristic

- Material: Frame: Plastic(UL94-VO) Impeller: Plastic(UL94-VO)
- Voltage: 12VDC(6~13.8VDC),24VDC(12~27.6VDC),48VDC(24~56VDC)
- Temperature: Operation Temperature: -10~70°C(Non-condensing)
- Specials: AS, RD, FG, PWM, Temperature Control, IP56, IP68



Technical Specifications

Model	Voltage	Current	Speed	Air Volume		Static Pressure			Noise	Weight	Curve
	V	A	RPM	CFM	m³/min	mm-H2O	Inch-H2O	Pa	dBA	g	
LWAD8038LX-01	12	3.5	6500	108.7	3.08	30.9	1.22	303	58	179g	①
LWAD8038LH-02	12	1.2	5500	92	2.6	22.1	0.87	217	54.4	179g	②
LWAD8038LM-03	12	1	4500	75.2	2.13	14.8	0.58	145	50	179g	③
LWAD8038LL-04	12	0.8	3500	58.5	1.66	9	0.35	88	44.6	179g	④
LWAD8038MX-01	24	1.6	6500	108.7	3.08	30.9	1.22	303	58	179g	①
LWAD8038MH-02	24	0.8	5500	92	2.6	22.1	0.87	217	54.4	179g	②
LWAD8038MM-03	24	0.5	4500	75.2	2.13	14.8	0.58	145	50	179g	③
LWAD8038ML-04	24	0.4	3500	58.5	1.66	9	0.35	88	44.6	179g	④
LWAD8038HX-01	48	1	6500	108.7	3.08	30.9	1.22	303	58	179g	①
LWAD8038HH-02	48	0.35	5500	92	2.6	22.1	0.87	217	54.4	179g	②
LWAD8038HM-03	48	0.3	4500	75.2	2.13	14.8	0.58	145	50	179g	③
LWAD8038HL-04	48	0.25	3500	58.5	1.66	9	0.35	88	44.6	179g	④



LWAD8038 Series

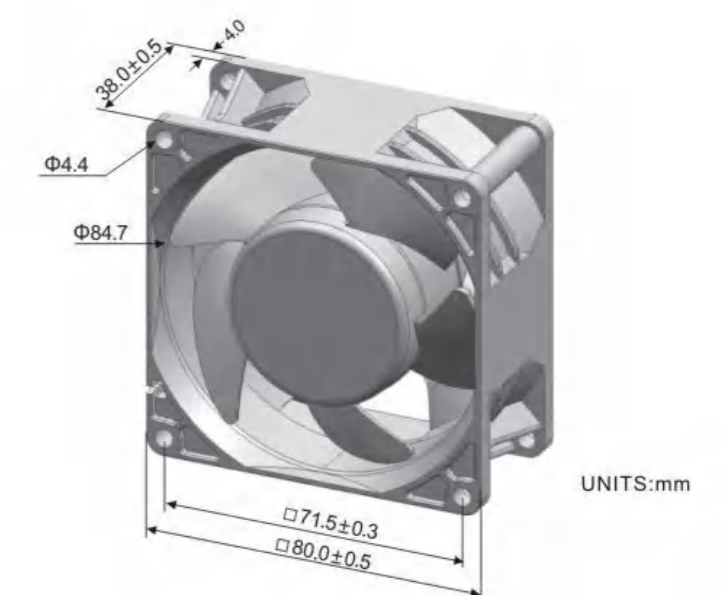
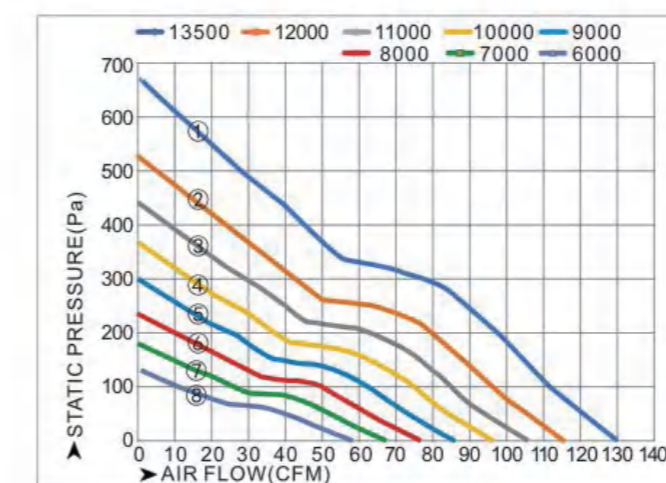
Product Characteristic

- Material: Frame: Plastic(UL94-VO) Impeller: Plastic(UL94-VO)
- Voltage: 12VDC(6~13.8VDC),24VDC(12~27.6VDC),48VDC(24~56VDC)
- Temperature: Operation Temperature: -10~70°C(Non-condensing)
- Specials: AS, RD, FG, PWM, Temperature Control, IP56, IP68



Technical Specifications

Model	Voltage	Current	Speed	Air Volume		Static Pressure			Noise	Weight	Curve
	V	A	RPM	CFM	m³/min	mm-H2O	Inch-H2O	Pa	dBA	g	
LWAD8038LX-05	12	3.5	13500	129.7	3.67	68.6	2.7	672	65	195g	①
LWAD8038LX-06	12	3.5	12000	115.3	3.26	54.2	2.13	531	62.4	195g	②
LWAD8038LX-07	12	3.5	11000	105.7	2.99	45.5	1.79	446	60.6	195g	③
LWAD8038LX-08	12	3.5	10000	96.1	2.72	37.6	1.48	369	58.5	195g	④
LWAD8038LH-09	12	1.2	9000	86.5	2.45	30.5	1.2	299	56.2	195g	⑤
LWAD8038LM-10	12	1	8000	76.8	2.18	24.1	0.95	236	53.6	195g	⑥
LWAD8038LL-11	12	0.8	7000	67.2	1.9	18.4	0.73	181	50.7	195g	⑦
LWAD8038LD-12	12	0.6	6000	57.6	1.63	13.5	0.53	133	47.4	195g	⑧
LWAD8038MX-05	24	1.6	13500	129.7	3.67	68.6	2.7	672	65	195g	①
LWAD8038MX-06	24	1.6	12000	115.3	3.26	54.2	2.13	531	62.4	195g	②
LWAD8038MX-07	24	1.6	11000	105.7	2.99	45.5	1.79	446	60.6	195g	③
LWAD8038MX-08	24	1.6	10000	96.1	2.72	37.6	1.48	369	58.5	195g	④
LWAD8038MH-09	24	0.8	9000	86.5	2.45	30.5	1.2	299	56.2	195g	⑤
LWAD8038MM-10	24	0.5	8000	76.8	2.18	24.1	0.95	236	53.6	195g	⑥
LWAD8038ML-11	24	0.4	7000	67.2	1.9	18.4	0.73	181	50.7	195g	⑦
LWAD8038MD-12	24	0.3	6000	57.6	1.63	13.5	0.53	133	47.4	195g	⑧
LWAD8038HX-05	48	1	13500	129.7	3.67	68.6	2.7	672	65	195g	①
LWAD8038HX-06	48	1	12000	115.3	3.26	54.2	2.13	531	62.4	195g	②
LWAD8038HX-07	48	1	11000	105.7	2.99	45.5	1.79	446	60.6	195g	③
LWAD8038HX-08	48	1	10000	96.1	2.72	37.6	1.48	369	58.5	195g	④
LWAD8038HH-09	48	0.35	9000	86.5	2.45	30.5	1.2	299	56.2	195g	⑤
LWAD8038HM-10	48	0.3	8000	76.8	2.18	24.1	0.95	236	53.6	195g	⑥
LWAD8038HL-11	48	0.25	7000	67.2	1.9	18.4	0.73	181	50.7	195g	⑦
LWAD8038HD-12	48	0.2	6000	57.6	1.63	13.5	0.53	133	47.4	195g	⑧



LWAD9220 Series

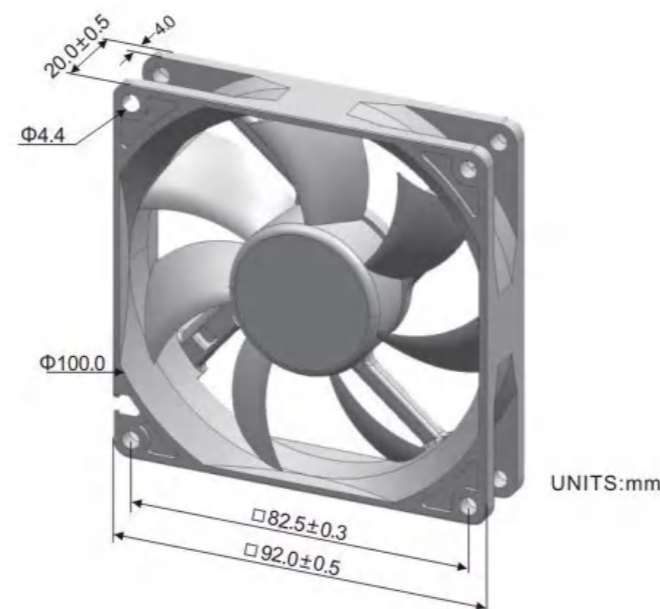
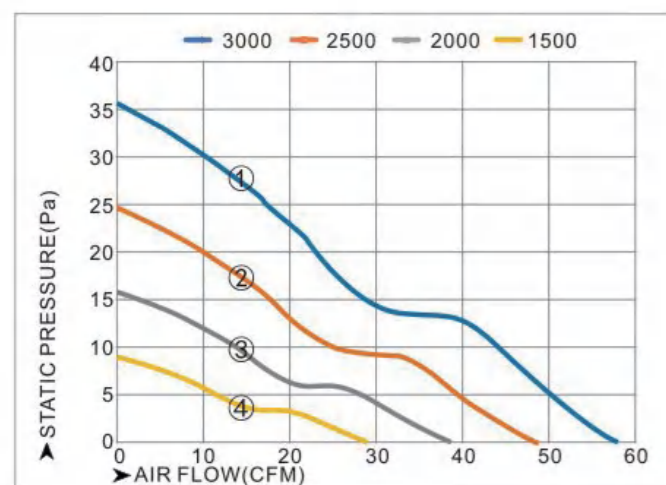
Product Characteristic

- Material: Frame: Plastic(UL94-VO) Impeller: Plastic(UL94-VO)
- Voltage: 12VDC(6~13.8VDC),24VDC(12~27.6VDC),48VDC(24~56VDC)
- Temperature: Operation Temperature: -10~70°C(Non-condensing)
- Specials: AS, RD, FG, PWM, Temperature Control, IP56



Technical Specifications

Model	Voltage	Current	Speed	Air Volume		Static Pressure			Noise	Weight	Curve
	V	A	RPM	CFM	m³/min	mm-H2O	Inch-H2O	Pa	dBA	g	
LWAD9220LX-01	12	0.3	3000	57.8	1.64	3.6	0.14	36	36.6	83g	①
LWAD9220LH-02	12	0.25	2500	48.1	1.36	2.5	0.1	25	32.6	83g	②
LWAD9220LM-03	12	0.2	2000	38.5	1.09	1.6	0.06	16	27.8	83g	③
LWAD9220LL-04	12	0.15	1500	28.9	0.57	0.9	0.04	9	21.5	83g	④
LWAD9220MX-01	24	0.2	3000	57.8	1.64	3.6	0.14	36	36.6	83g	①
LWAD9220MH-02	24	0.18	2500	48.1	1.36	2.5	0.1	25	32.6	83g	②
LWAD9220MM-03	24	0.15	2000	38.5	1.09	1.6	0.06	16	27.8	83g	③
LWAD9220ML-04	24	0.12	1500	28.9	0.57	0.9	0.04	9	21.5	83g	④
LWAD9220HX-01	48	0.15	3000	57.8	1.64	3.6	0.14	36	36.6	83g	①
LWAD9220HH-02	48	0.12	2500	48.1	1.36	2.5	0.1	25	32.6	83g	②
LWAD9220HM-03	48	0.1	2000	38.5	1.09	1.6	0.06	16	27.8	83g	③
LWAD9220HL-04	48	0.08	1500	28.9	0.57	0.9	0.04	9	21.5	83g	④



LWAD9225 Series

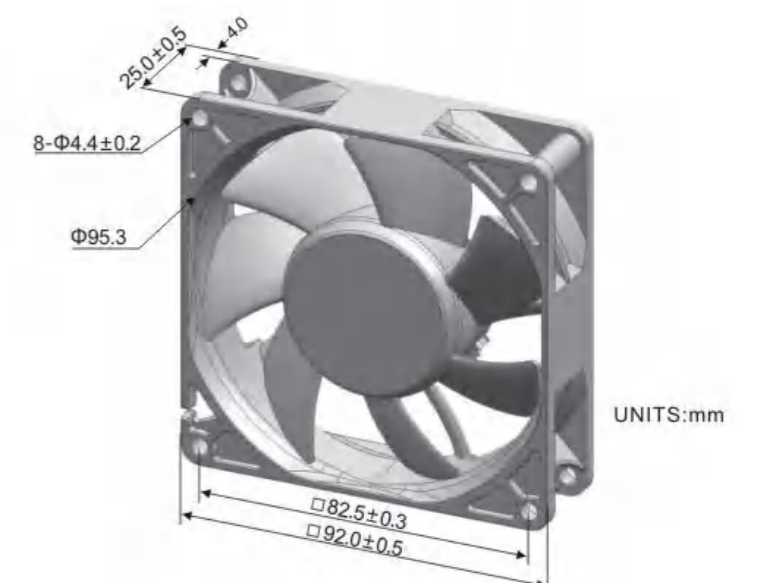
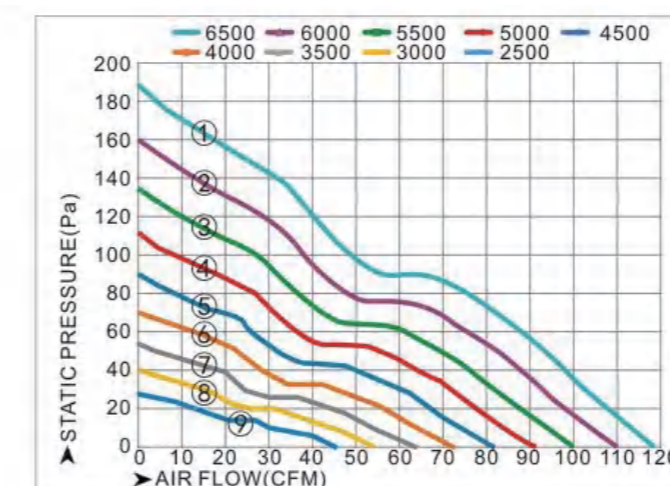
Product Characteristic

- Material: Frame: Plastic(UL94-VO) Impeller: Plastic(UL94-VO)
- Voltage: 12VDC(6~13.8VDC),24VDC(12~27.6VDC),48VDC(24~56VDC)
- Temperature: Operation Temperature: -10~70°C(Non-condensing)
- Specials: AS, RD, FG, PWM, Temperature Control, IP56, IP68



Technical Specifications

Model	Voltage	Current	Speed	Air Volume		Static Pressure			Noise	Weight	Curve
	V	A	RPM	CFM	m³/min	mm-H2O	Inch-H2O	Pa	dBA	g	
LWAD9225LX-01	12	1.5	6500	118.7	3.36	19.3	0.76	189	54.5	124g	①
LWAD9225LX-02	12	1.5	6000	109.5	3.1	16.4	0.65	161	52.8	124g	②
LWAD9225LX-03	12	1.5	5500	100.4	2.84	13.8	0.54	135	50.9	124g	③
LWAD9225LX-04	12	1.5	5000	91.3	2.58	11.4	0.45	112	48.8	124g	④
LWAD9225LX-05	12	1.5	4500	82.1	2.33	9.2	0.36	91	46.5	124g	⑤
LWAD9225LH-06	12	0.6	4000	73	2.07	7.3	0.29	72	44	124g	⑥
LWAD9225LM-07	12	0.5	3500	63.9	1.81	5.6	0.22	55	41.1	124g	⑦
LWAD9225LL-08	12	0.4	3000	54.8	1.55	4.1	0.16	40	37.7	124g	⑧
LWAD9225LD-09	12	0.3	2500	45.6	1.29	2.9	0.11	28	33.8	124g	⑨
LWAD9225LX-01	24	0.8	6500	118.7	3.36	19.3	0.76	189	54.5	124g	①
LWAD9225LX-02	24	0.8	6000	109.5	3.1	16.4	0.65	161	52.8	124g	②
LWAD9225LX-03	24	0.8	5500	100.4	2.84	13.8	0.54	135	50.9	124g	③
LWAD9225LX-04	24	0.8	5000	91.3	2.58	11.4	0.45	112	48.8	124g	④
LWAD9225LX-05	24	0.8	4500	82.1	2.33	9.2	0.36	91	46.5	124g	⑤
LWAD9225LH-06	24	0.35	4000	73	2.07	7.3	0.29	72	44	124g	⑥
LWAD9225LM-07	24	0.3	3500	63.9	1.81	5.6	0.22	55	41.1	124g	⑦
LWAD9225LL-08	24	0.25	3000	54.8	1.55	4.1	0.16	40	37.7	124g	⑧
LWAD9225LD-09	24	0.2	2500	45.6	1.29	2.9	0.11	28	33.8	124g	⑨
LWAD9225HX-01	48	0.5	6500	118.7	3.36	19.3	0.76	189	54.5	124g	①
LWAD9225HX-02	48	0.5	6000	109.5	3.1	16.4	0.65	161	52.8	124g	②
LWAD9225HX-03	48	0.5	5500	100.4	2.84	13.8	0.54	135	50.9	124g	③
LWAD9225HX-04	48	0.5	5000	91.3	2.58	11.4	0.45	112	48.8	124g	④
LWAD9225HX-05	48	0.5	4500	82.1	2.33	9.2	0.36	91	46.5	124g	⑤
LWAD9225HH-06	48	0.25	4000	73	2.07	7.3	0.29	72	44	124g	⑥
LWAD9225HM-07	48	0.2	3500	63.9	1.81	5.6	0.22	55	41.1	124g	⑦
LWAD9225HL-08	48	0.15	3000	54.8	1.55	4.1	0.16	40	37.7	124g	⑧
LWAD9225HD-09	48	0.1	2500	45.6	1.29	2.9	0.11	28	33.8	124g	⑨



LWAD9225 Series

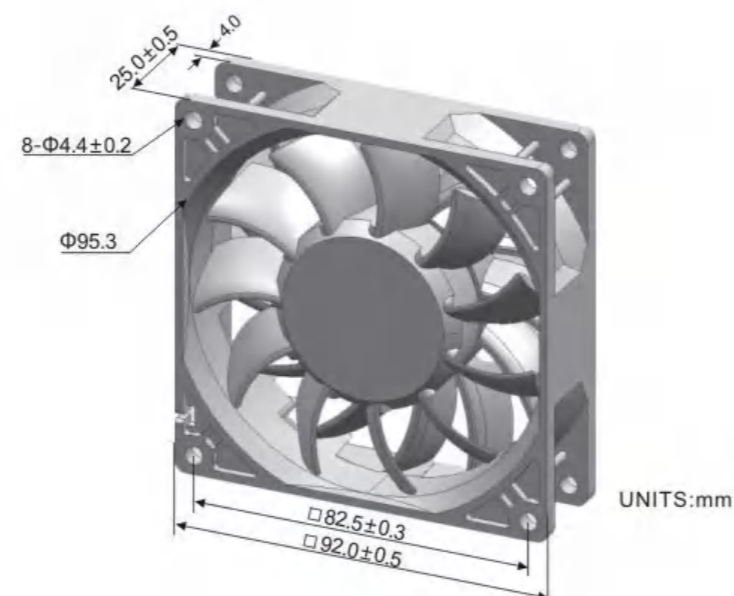
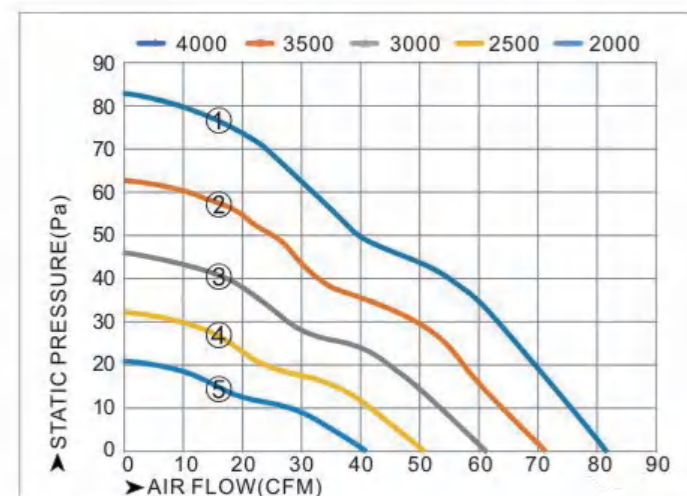
Product Characteristic

- Material: Frame: Plastic(UL94-VO) Impeller: Plastic(UL94-VO)
- Voltage: 12VDC(6~13.8VDC),24VDC(12~27.6VDC),48VDC(24~56VDC)
- Temperature: Operation Temperature: -10~70°C(Non-condensing)
- Specials: AS, RD, FG, PWM, Temperature Control, IP56



Technical Specifications

Model	Voltage	Current	Speed	Air Volume		Static Pressure			Noise	Weight	Curve
	V	A	RPM	CFM	m³/min	mm-H2O	Inch-H2O	Pa	dBA	g	
LWAD9225LX-10	12	1.5	4000	81.2	2.3	8.4	0.33	83	51.5	112g	①
LWAD9225LH-11	12	0.6	3500	71	2.01	6.5	0.25	63	48.6	112g	②
LWAD9225LM-12	12	0.5	3000	60.9	1.72	4.7	0.19	46	45.3	112g	③
LWAD9225LL-13	12	0.4	2500	50.7	0.57	3.3	0.13	32	41.3	112g	④
LWAD9225LD-14	12	0.3	2000	40.6	1.15	2.1	0.08	21	36.4	112g	⑤
LWAD9225MX-10	24	0.8	4000	81.2	2.3	8.4	0.33	83	51.5	112g	①
LWAD9225MH-11	24	0.35	3500	71	2.01	6.5	0.25	63	48.6	112g	②
LWAD9225MM-12	24	0.3	3000	60.9	1.72	4.7	0.19	46	45.3	112g	③
LWAD9225ML-13	24	0.25	2500	50.7	0.57	3.3	0.13	32	41.3	112g	④
LWAD9225MD-14	24	0.2	2000	40.6	1.15	2.1	0.08	21	36.4	112g	⑤
LWAD9225HX-10	48	0.5	4000	81.2	2.3	8.4	0.33	83	51.5	112g	①
LWAD9225HH-11	48	0.25	3500	71	2.01	6.5	0.25	63	48.6	112g	②
LWAD9225HM-12	48	0.2	3000	60.9	1.72	4.7	0.19	46	45.3	112g	③
LWAD9225HL-13	48	0.15	2500	50.7	0.57	3.3	0.13	32	41.3	112g	④
LWAD9225HD-14	48	0.1	2000	40.6	1.15	2.1	0.08	21	36.4	112g	⑤



LWAD9238 Series

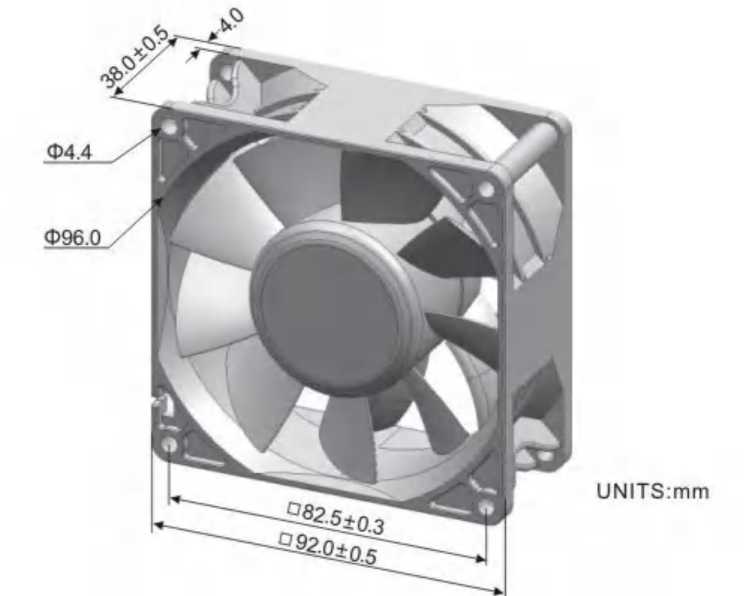
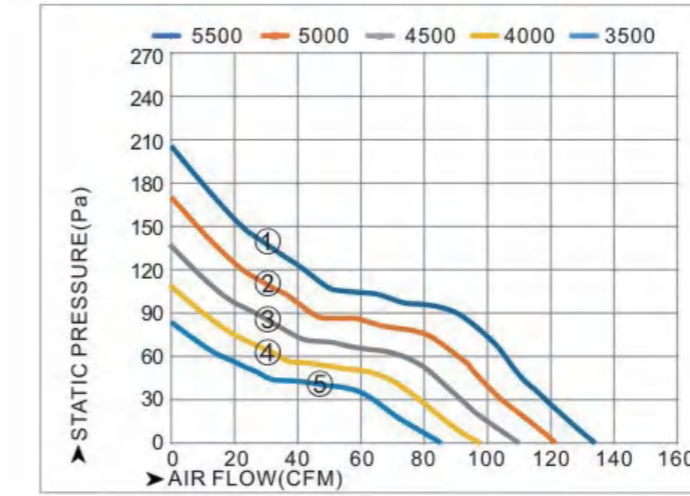
Product Characteristic

- Material: Frame: Plastic(UL94-VO) Impeller: Plastic(UL94-VO)
- Voltage: 12VDC(6~13.8VDC),24VDC(12~27.6VDC),48VDC(24~56VDC)
- Temperature: Operation Temperature: -10~70°C(Non-condensing)
- Specials: AS, RD, FG, PWM, Temperature Control, IP56, IP68



Technical Specifications

Model	Voltage	Current	Speed	Air Volume		Static Pressure			Noise	Weight	Curve
	V	A	RPM	CFM	m³/min	mm-H2O	Inch-H2O	Pa	dBA	g	
LWAD9238LX-01	12	4	5500	133.5	3.78	21	0.83	206	56.5	188g	①
LWAD9238LH-02	12	3	5000	121.4	3.44	17.3	0.68	170	54.4	188g	②
LWAD9238LM-03	12	2	4500	109.2	3.09	14	0.55	138	52.1	188g	③
LWAD9238LL-04	12	1.5	4000	97.1	2.75	11.1	0.44	109	49.6	188g	④
LWAD9238LD-05	12	1.2	3500	84.9	2.41	8.5	0.33	83	46.7	188g	⑤
LWAD9238MX-01	24	2	5500	133.5	3.78	21	0.83	206	56.5	188g	①
LWAD9238MH-02	24	1.5	5000	121.4	3.44	17.3	0.68	170	54.4	188g	②
LWAD9238MM-03	24	1	4500	109.2	3.09	14	0.55	138	52.1	188g	④
LWAD9238ML-04	24	0.8	4000	97.1	2.75	11.1	0.44	109	49.6	188g	④
LWAD9238MD-05	24	0.6	3500	84.9	2.41	8.5	0.33	83	46.7	188g	⑤
LWAD9238HX-01	48	1.2	5500	133.5	3.78	21	0.83	206	56.5	188g	①
LWAD9238HH-02	48	1	5000	121.4	3.44	17.3	0.68	170	54.4	188g	②
LWAD9238HM-03	48	0.8	4500	109.2	3.09	14	0.55	138	52.1	188g	③
LWAD9238HL-04	48	0.6	4000	97.1	2.75	11.1	0.44	109	49.6	188g	④
LWAD9238HD-05	48	0.4	3500	84.9	2.41	8.5	0.33	83	46.7	188g	⑤



LWAD9238 Series

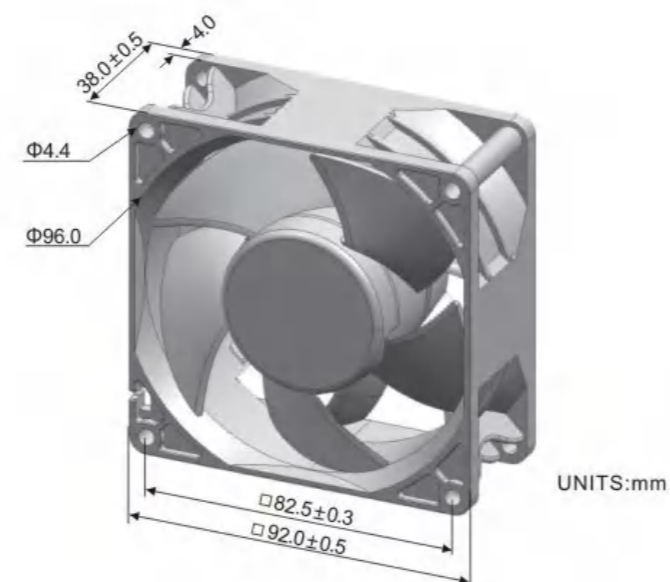
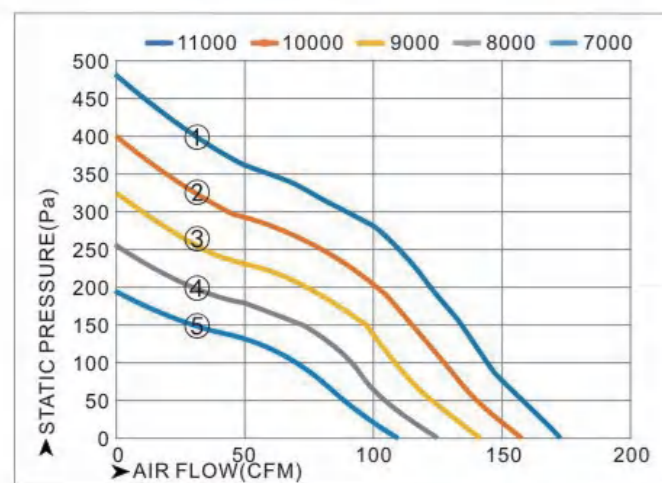
Product Characteristic

- Material: Frame: Plastic(UL94-VO) Impeller: Plastic(UL94-VO)
- Voltage: 12VDC(6~13.8VDC),24VDC(12~27.6VDC),48VDC(24~56VDC)
- Temperature: Operation Temperature: -10~70°C(Non-condensing)
- Specials: AS, RD, FG, PWM, Temperature Control, IP56, IP68



Technical Specifications

Model	Voltage	Current	Speed	Air Volume		Static Pressure			Noise	Weight	Curve
	V	A	RPM	CFM	m³/min	mm-H2O	Inch-H2O	Pa	dBA	g	
LWAD9238LX-05	12	4	11000	172.8	4.89	49.6	1.95	486	68	206g	①
LWAD9238LH-06	12	3	10000	157.1	4.45	41	1.61	401	65.9	206g	②
LWAD9238LM-07	12	2	9000	141.4	4	33.2	1.31	325	63.6	206g	③
LWAD9238LL-08	12	1.5	8000	125.7	3.56	26.2	1.03	257	61.1	206g	④
LWAD9238LD-09	12	1.2	7000	110	3.11	20.1	0.79	197	58.2	206g	⑤
LWAD9238MX-05	24	2	11000	172.8	4.89	49.6	1.95	486	68	206g	①
LWAD9238MH-06	24	1.5	10000	157.1	4.45	41	1.61	401	65.9	206g	②
LWAD9238MM-07	24	1	9000	141.4	4	33.2	1.31	325	63.6	206g	③
LWAD9238ML-08	24	0.8	8000	125.7	3.56	26.2	1.03	257	61.1	206g	④
LWAD9238MD-09	24	0.6	7000	110	3.11	20.1	0.79	197	58.2	206g	⑤
LWAD9238HX-05	48	1.2	11000	172.8	4.89	49.6	1.95	486	68	206g	①
LWAD9238HH-06	48	1	10000	157.1	4.45	41	1.61	401	65.9	206g	②
LWAD9238HM-07	48	0.8	9000	141.4	4	33.2	1.31	325	63.6	206g	③
LWAD9238HL-08	48	0.6	8000	125.7	3.56	26.2	1.03	257	61.1	206g	④
LWAD9238HD-09	48	0.4	7000	110	3.11	20.1	0.79	197	58.2	206g	⑤



LWAD12025 Series

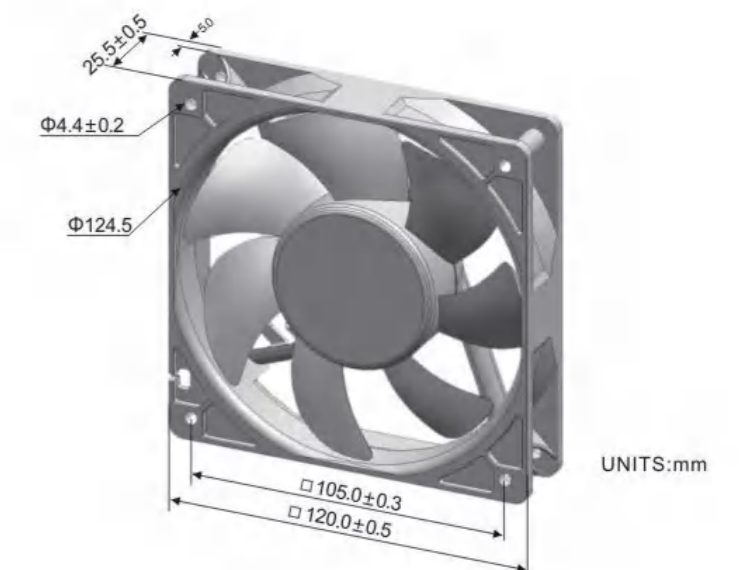
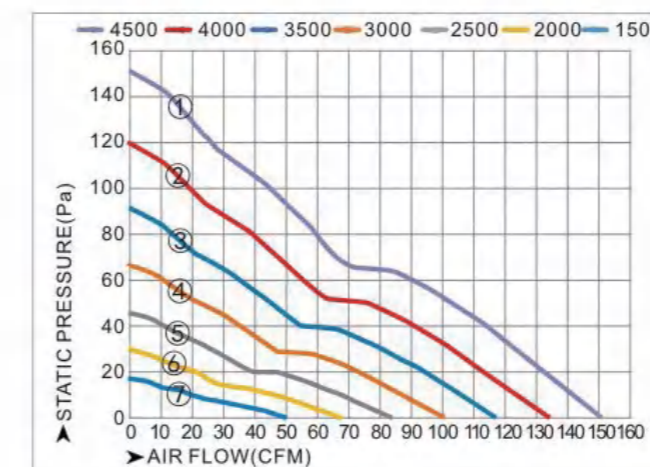
Product Characteristic

- Material: Frame: Plastic(UL94-VO) Impeller: Plastic(UL94-VO)
- Voltage: 12VDC(6~13.8VDC),24VDC(12~27.6VDC),48VDC(24~56VDC)
- Temperature: Operation Temperature: -10~70°C(Non-condensing)
- Specials: AS, RD, FG, PWM, Temperature Control, IP56, IP68



Technical Specifications

Model	Voltage	Current	Speed	Air Volume		Static Pressure			Noise	Weight	Curve
	V	A	RPM	CFM	m³/min	mm-H2O	Inch-H2O	Pa	dBA	g	
LWAD12025LX-01	12	2	4500	150.5	4.26	15.4	0.61	151	52.5	190g	①
LWAD12025LX-02	12	2	4000	133.7	3.79	12.2	0.48	119	49.9	190g	②
LWAD12025LX-03	12	2	3500	117	3.31	9.3	0.37	91	47	190g	③
LWAD12025LH-03	12	1.5	3000	100.3	2.84	6.9	0.27	67	43.7	190g	④
LWAD12025LM-04	12	1	2500	83.6	2.37	4.8	0.19	47	39.7	190g	⑤
LWAD12025LL-05	12	0.6	2000	66.9	1.89	3	0.12	30	34.8	190g	⑥
LWAD12025LD-06	12	0.3	1500	50.2	1.42	1.7	0.07	17	28.6	190g	⑦
LWAD12025MX-01	24	1	4500	150.5	4.26	15.4	0.61	151	52.5	190g	①
LWAD12025MX-02	24	1	4000	133.7	3.79	12.2	0.48	119	49.9	190g	②
LWAD12025MX-03	24	1	3500	117	3.31	9.3	0.37	91	47	190g	③
LWAD12025MH-03	24	0.8	3000	100.3	2.84	6.9	0.27	67	43.7	190g	④
LWAD12025MM-04	24	0.6	2500	83.6	2.37	4.8	0.19	47	39.7	190g	⑤
LWAD12025ML-05	24	0.5	2000	66.9	1.89	3	0.12	30	34.8	190g	⑥
LWAD12025MD-06	24	0.2	1500	50.2	1.42	1.7	0.07	17	28.6	190g	⑦
LWAD12025HX-01	48	0.8	4500	150.5	4.26	15.4	0.61	151	52.5	190g	①
LWAD12025HX-02	48	0.8	4000	133.7	3.79	12.2	0.48	119	49.9	190g	②
LWAD12025HX-03	48	0.8	3500	117	3.31	9.3	0.37	91	47	190g	③
LWAD12025HH-03	48	0.5	3000	100.3	2.84	6.9	0.27	67	43.7	190g	④
LWAD12025HM-04	48	0.4	2500	83.6	2.37	4.8	0.19	47	39.7	190g	⑤
LWAD12025HL-05	48	0.3	2000	66.9	1.89	3	0.12	30	34.8	190g	⑥
LWAD12025HD-06	48	0.1	1500	50.2	1.42	1.7	0.07	17	28.6	190g	⑦



LWAD12025 Series

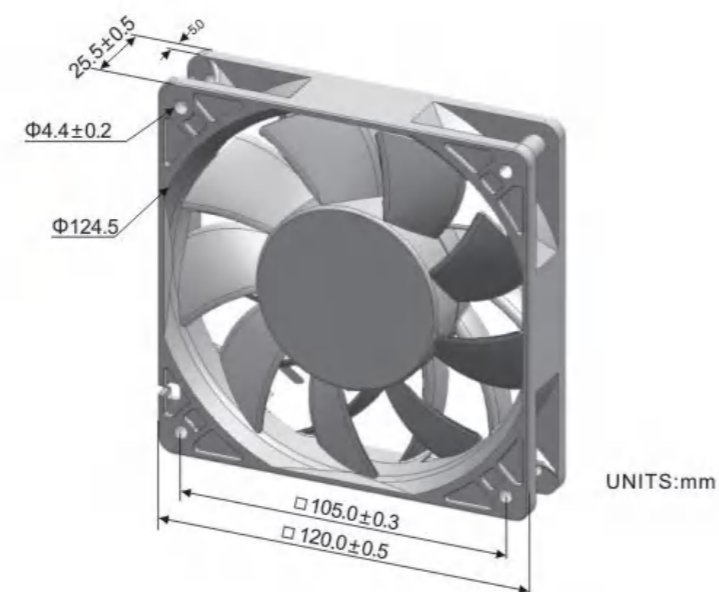
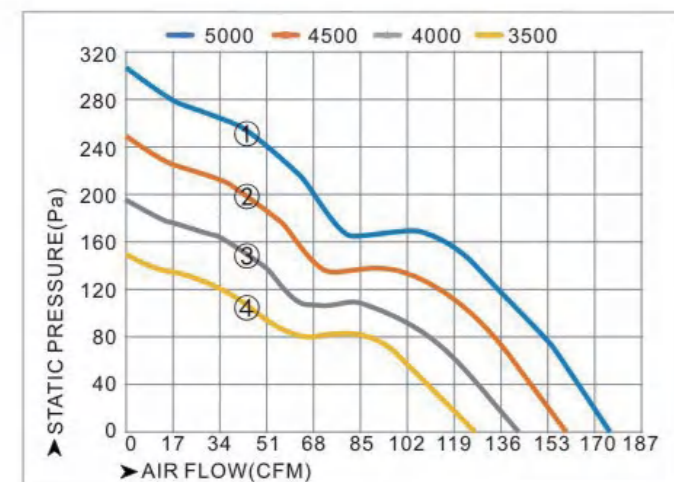
Product Characteristic

- Material: Frame: Plastic(UL94-VO) Impeller: Plastic(UL94-VO)
- Voltage: 12VDC(6~13.8VDC),24VDC(12~27.6VDC),48VDC(24~56VDC)
- Temperature: Operation Temperature: -10~70°C(Non-condensing)
- Specials: AS, RD, FG, PWM, Temperature Control, IP56, IP68



Technical Specifications

Model	Voltage	Current	Speed	Air Volume		Static Pressure			Noise	Weight	Curve
	V	A	RPM	CFM	m³/min	mm-H2O	Inch-H2O	Pa	dBA	g	
LWAD12025LX-07	12	2	5000	177.3	5.02	31.3	1.23	249	60.5	213g	①
LWAD12025LH-08	12	1.5	4500	159.6	4.52	25.4	1	249	58.2	213g	②
LWAD12025LM-09	12	1	4000	141.8	4.02	20	0.79	196	55.7	213g	③
LWAD12025LL-10	12	0.6	3500	124.1	3.51	15.3	0.6	150	52.8	213g	④
LWAD12025MX-07	24	1	5000	177.3	5.02	31.3	1.23	249	60.5	213g	①
LWAD12025MH-08	24	0.8	4500	159.6	4.52	25.4	1	249	58.2	213g	②
LWAD12025MM-09	24	0.6	4000	141.8	4.02	20	0.79	196	55.7	213g	③
LWAD12025ML-10	24	0.5	3500	124.1	3.51	15.3	0.6	150	52.8	213g	④
LWAD12025HX-07	48	0.8	5000	177.3	5.02	31.3	1.23	249	60.5	213g	①
LWAD12025HH-08	48	0.5	4500	159.6	4.52	25.4	1	249	58.2	213g	②
LWAD12025HM-09	48	0.4	4000	141.8	4.02	20	0.79	196	55.7	213g	③
LWAD12025HL-10	48	0.3	3500	124.1	3.51	15.3	0.6	150	52.8	213g	④



LWAD12038 Series

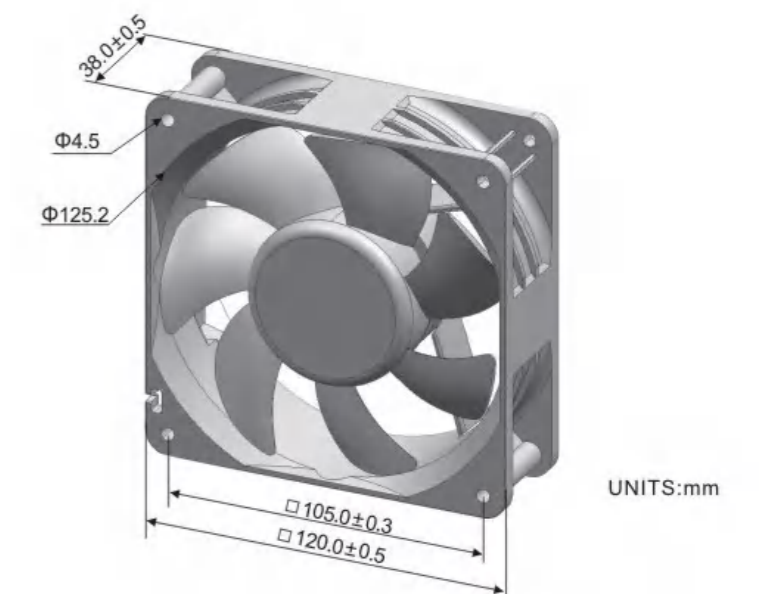
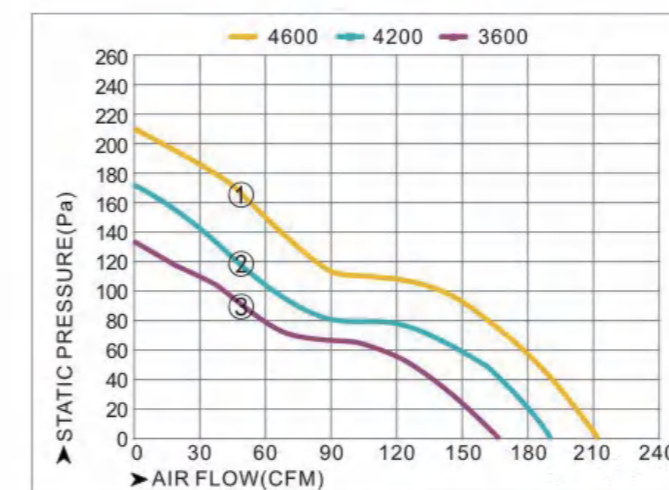
Product Characteristic

- Material: Frame: Plastic(UL94-VO) Impeller: Plastic(UL94-VO)
- Voltage: 12VDC(6~13.8VDC),24VDC(12~27.6VDC),48VDC(24~56VDC)
- Temperature: Operation Temperature: -10~70°C(Non-condensing)
- Specials: AS, RD, FG, PWM, Temperature Control, IP56, IP68



Technical Specifications

Model	Voltage	Current	Speed	Air Volume		Static Pressure			Noise	Weight	Curve
	V	A	RPM	CFM	m³/min	mm-H2O	Inch-H2O	Pa	dBA	g	
LWAD12038LX-01	12	3.5	4600	212.6	6.02	21.4	0.84	210	58.5	335g	①
LWAD12038LH-02	12	1.5	4200	195.1	5.53	18.5	0.73	181	55.7	335g	②
LWAD12038LM-03	12	1	3600	167.3	4.74	13.6	0.54	133	52.4	335g	③
LWAD12038MX-01	24	2	4600	212.6	6.02	21.4	0.84	210	58.5	335g	①
LWAD12038MH-02	24	1	4200	195.1	5.53	18.5	0.73	181	55.7	335g	②
LWAD12038MM-03	24	0.6	3600	167.3	4.74	13.6	0.54	133	52.4	335g	③
LWAD12038HX-01	48	1.2	4600	212.6	6.02	21.4	0.84	210	58.5	335g	①
LWAD12038HH-02	48	0.5	4200	195.1	5.53	18.5	0.73	181	55.7	335g	②
LWAD12038HM-03	48	0.35	3600	167.3	4.74	13.6	0.54	133	52.4	335g	③



LWAD12038 Series

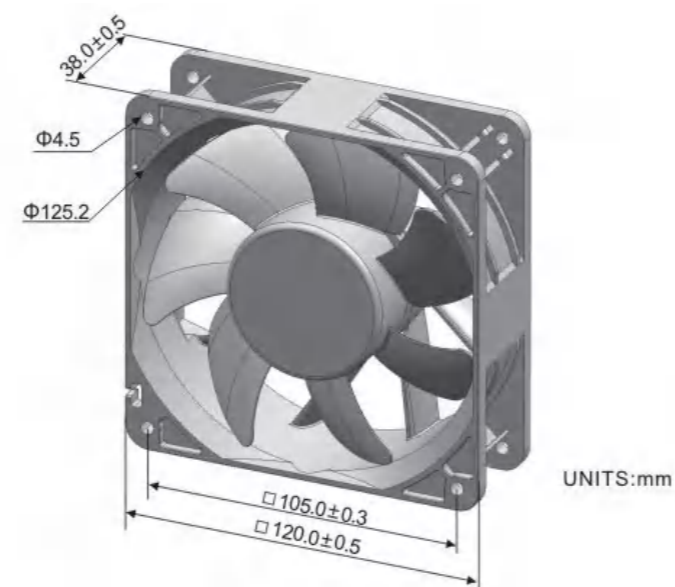
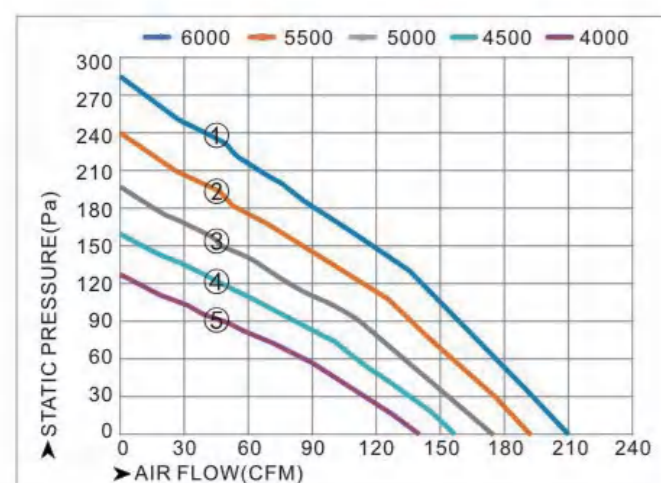
Product Characteristic

- Material: Frame: Plastic(UL94-VO) Impeller: Plastic(UL94-VO)
- Voltage: 12VDC(6~13.8VDC),24VDC(12~27.6VDC),48VDC(24~56VDC)
- Temperature: Operation Temperature: -10~70°C(Non-condensing)
- Specials: AS, RD, FG, PWM, Temperature Control, IP56



Technical Specifications

Model	Voltage	Current	Speed	Air Volume		Static Pressure			Noise	Weight	Curve
	V	A	RPM	CFM	m³/min	mm-H2O	Inch-H2O	Pa	dBA	g	
LWAD12038LX-04	12	3.5	6000	210.4	5.96	29.2	1.15	286	64	295g	①
LWAD12038LH-05	12	1.5	5500	192.8	5.46	24.5	0.97	240	62.1	295g	②
LWAD12038LM-06	12	1.2	5000	175.3	4.96	20.3	0.8	199	60	295g	③
LWAD12038LL-07	12	1	4500	157.8	4.47	16.4	0.65	161	57.8	295g	④
LWAD12038LD-08	12	0.8	4000	140.3	3.97	13	0.51	127	55.2	295g	⑤
LWAD12038MX-04	24	1.2	6000	210.4	5.96	29.2	1.15	286	64	295g	①
LWAD12038MH-05	24	1	5500	192.8	5.46	24.5	0.97	240	62.1	295g	②
LWAD12038MM-06	24	0.8	5000	175.3	4.96	20.3	0.8	199	60	295g	③
LWAD12038ML-07	24	0.6	4500	157.8	4.47	16.4	0.65	161	57.8	295g	④
LWAD12038MD-08	24	0.5	4000	140.3	3.97	13	0.51	127	55.2	295g	⑤
LWAD12038HX-04	48	0.8	6000	210.4	5.96	29.2	1.15	286	64	295g	①
LWAD12038HH-05	48	0.6	5500	192.8	5.46	24.5	0.97	240	62.1	295g	②
LWAD12038HM-06	48	0.5	5000	175.3	4.96	20.3	0.8	199	60	295g	③
LWAD12038HL-07	48	0.3	4500	157.8	4.47	16.4	0.65	161	57.8	295g	④
LWAD12038HD-08	48	0.2	4000	140.3	3.97	13	0.51	127	55.2	295g	⑤



LWAD12038 Series

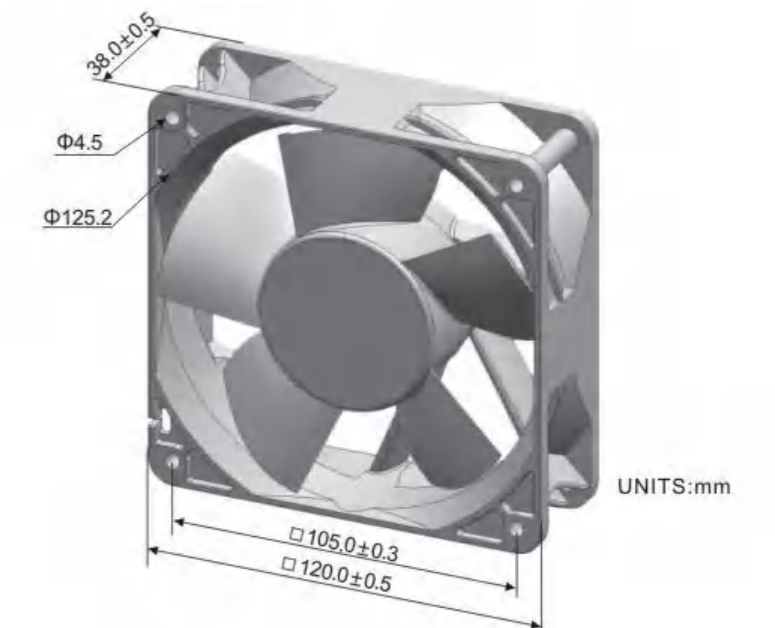
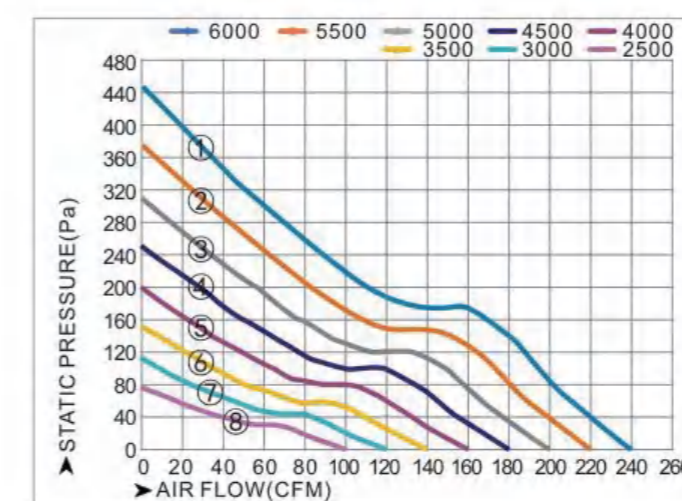
Product Characteristic

- Material: Frame: Plastic(UL94-VO) Impeller: Plastic(UL94-VO)
- Voltage: 12VDC(6~13.8VDC),24VDC(12~27.6VDC),48VDC(24~56VDC)
- Temperature: Operation Temperature: -10~70°C(Non-condensing)
- Specials: AS, RD, FG, PWM, Temperature Control, IP56, IP68



Technical Specifications

Model	Voltage	Current	Speed	Air Volume		Static Pressure			Noise	Weight	Curve
	V	A	RPM	CFM	m³/min	mm-H2O	Inch-H2O	Pa	dBA	g	
LWAD12038LX-09	12	3.5	6000	240.5	6.81	45.7	1.8	448	63.5	260g	①
LWAD12038LX-10	12	3.5	5500	220.5	6.24	38.4	1.51	376	61.6	260g	②
LWAD12038LX-11	12	3.5	5000	200.4	5.68	31.8	1.25	311	59.5	260g	③
LWAD12038LX-12	12	3.5	4500	180.4	5.11	25.7	1.01	252	57.3	260g	④
LWAD12038LH-13	12	1.5	4000	160.3	4.54	20.3	0.8	199	54.7	260g	⑤
LWAD12038LM-14	12	1	3500	140.3	3.97	15.6	0.61	152	51.8	260g	⑥
LWAD12038LL-15	12	0.7	3000	120.3	3.41	11.4	0.45	112	48.5	260g	⑦
LWAD12038LD-16	12	0.5	2500	100.2	2.84	7.9	0.31	78	44.5	260g	⑧
LWAD12038MX-09	24	2	6000	240.5	6.81	45.7	1.8	448	63.5	260g	①
LWAD12038MX-10	24	2	5500	220.5	6.24	38.4	1.51	376	61.6	260g	②
LWAD12038MX-11	24	2	5000	200.4	5.68	31.8	1.25	311	59.5	260g	③
LWAD12038MX-12	24	2	4500	180.4	5.11	25.7	1.01	252	57.3	260g	④
LWAD12038MH-13	24	0.6	4000	160.3	4.54	20.3	0.8	199	54.7	260g	⑤
LWAD12038MM-14	24	0.45	3500	140.3	3.97	15.6	0.61	152	51.8	260g	⑥
LWAD12038ML-15	24	0.3	3000	120.3	3.41	11.4	0.45	112	48.5	260g	⑦
LWAD12038MD-16	24	0.2	2500	100.2	2.84	7.9	0.31	78	44.5	260g	⑧
LWAD12038HX-09	48	1.2	6000	240.5	6.81	45.7	1.8	448	63.5	260g	①
LWAD12038HX-10	48	1.2	5500	220.5	6.24	38.4	1.51	376	61.6	260g	②
LWAD12038HX-11	48	1.2	5000	200.4	5.68	31.8	1.25	311	59.5	260g	③
LWAD12038HX-12	48	1.2	4500	180.4	5.11	25.7	1.01	252	57.3	260g	④
LWAD12038HH-13	48	0.35	4000	160.3	4.54	20.3	0.8	199	54.7	260g	⑤
LWAD12038HM-14	48	0.25	3500	140.3	3.97	15.6	0.61	152	51.8	260g	⑥
LWAD12038HL-15	48	0.2	3000	120.3	3.41	11.4	0.45	112	48.5	260g	⑦
LWAD12038HD-16	48	0.15	2500	100.2	2.84	7.9	0.31	78	44.5	260g	⑧



LWAD17238 Series

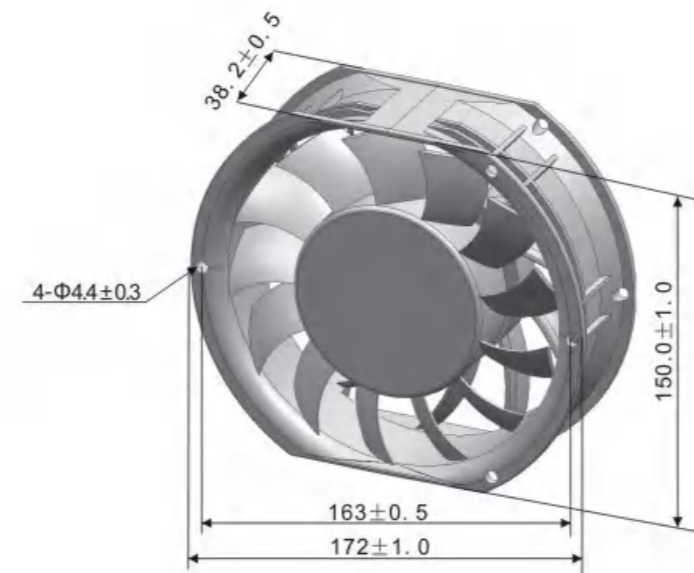
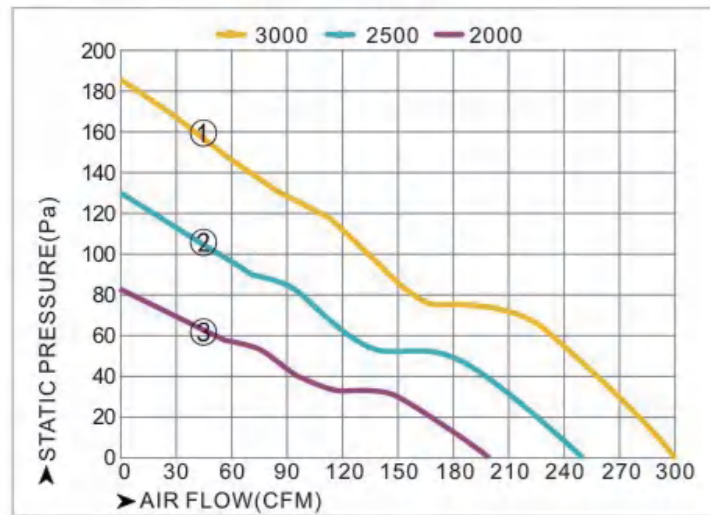
Product Characteristic

- Material: Frame: Plastic(UL94-VO) Impeller: Plastic(UL94-VO)
- Voltage: 24VDC(12~27.6VDC),48VDC(24~56VDC)
- Temperature: Operation Temperature: -10~70°C(Non-condensing)
- Specials: AS, RD, FG, PWM, Temperature Control, IP56



Technical Specifications

Model	Voltage	Current	Speed	Air Volume		Static Pressure			Noise	Weight	Curve
	V	A	RPM	CFM	m³/min	mm-H2O	Inch--H2O	Pa	dBA	g	
LWAD17238MX-01	24	1.5	3000	299.6	8.48	19	0.75	186	57.4	533g	①
LWAD17238MX-02	24	0.8	2500	249.6	7.07	13.2	0.52	129	53.4	533g	②
LWAD17238MX-03	24	0.5	2000	199.7	5.66	8.4	0.33	83	48.6	533g	③
LWAD17238HX-01	48	0.8	3000	299.6	8.48	19	0.75	186	57.4	533g	①
LWAD17238HX-02	48	0.4	2500	249.6	7.07	13.2	0.52	129	53.4	533g	②
LWAD17238HX-03	48	0.3	2000	199.7	5.66	8.4	0.33	83	48.6	533g	③



LWAD17251 Series

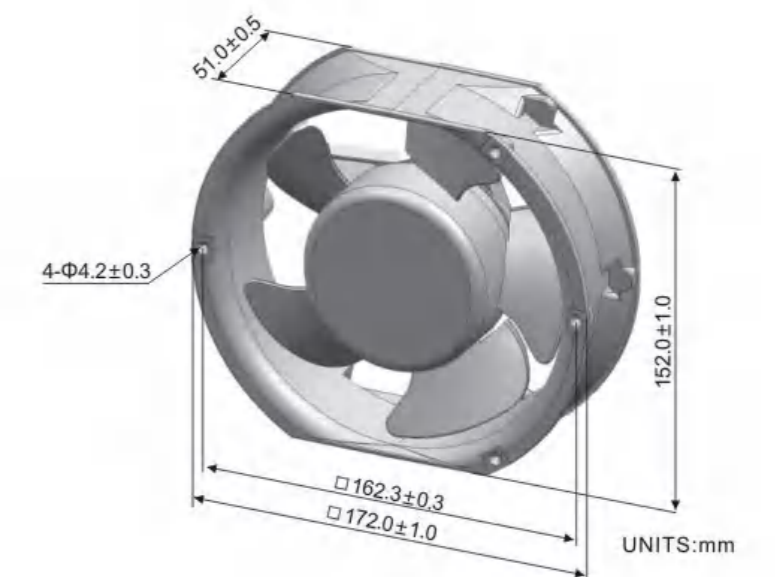
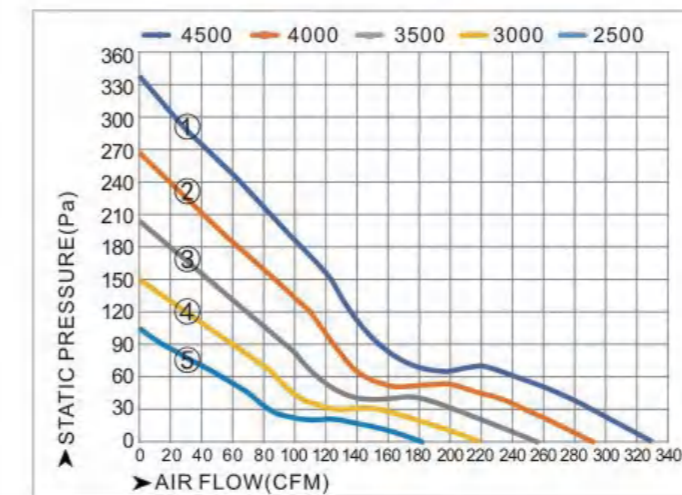
Product Characteristic

- Material: Frame: Plastic(UL94-VO) Impeller: Plastic(UL94-VO)
- Voltage: 12VDC(6~13.8VDC),24VDC(12~27.6VDC),48VDC(24~56VDC)
- Temperature: Operation Temperature: -10~70°C(Non-condensing)
- Specials: AS, RD, FG, PWM, Temperature Control, IP56



Technical Specifications

Model	Voltage	Current	Speed	Air Volume		Static Pressure			Noise	Weight	Curve
	V	A	RPM	CFM	m³/min	mm-H2O	Inch--H2O	Pa	dBA	g	
LWAD17251LX-01	12	5	4500	329.9	9.34	34.7	1.37	340	63.7	660g	①
LWAD17251LX-02	12	3.5	4000	293.3	8.3	27.4	1.08	269	61.1	660g	②
LWAD17251LH-03	12	3	3500	256.6	7.27	21	0.83	206	58.2	660g	③
LWAD17251LM-04	12	2.5	3000	220	6.23	15.4	0.61	151	54.9	660g	④
LWAD17251LL-05	12	2	2500	183.3	5.19	10.7	0.42	105	50.9	660g	⑤
LWAD17251MX-01	24	4.5	4500	329.9	9.34	34.7	1.37	340	63.7	660g	①
LWAD17251MX-02	24	3.5	4000	293.3	8.3	27.4	1.08	269	61.1	660g	②
LWAD17251MH-03	24	2.5	3500	256.6	7.27	21	0.83	206	58.2	660g	③
LWAD17251MM-04	24	2	3000	220	6.23	15.4	0.61	151	54.9	660g	④
LWAD17251ML-05	24	1.5	2500	183.3	5.19	10.7	0.42	105	50.9	660g	⑤
LWAD17251HX-01	48	2	4500	329.9	9.34	34.7	1.37	340	63.7	660g	①
LWAD17251HX-02	48	1.6	4000	293.3	8.3	27.4	1.08	269	61.1	660g	②
LWAD17251HH-03	48	1.2	3500	256.6	7.27	21	0.83	206	58.2	660g	③
LWAD17251HM-04	48	1	3000	220	6.23	15.4	0.61	151	54.9	660g	④
LWAD17251HL-05	48	0.6	2500	183.3	5.19	10.7	0.42	105	50.9	660g	⑤



LWAD17251 Series

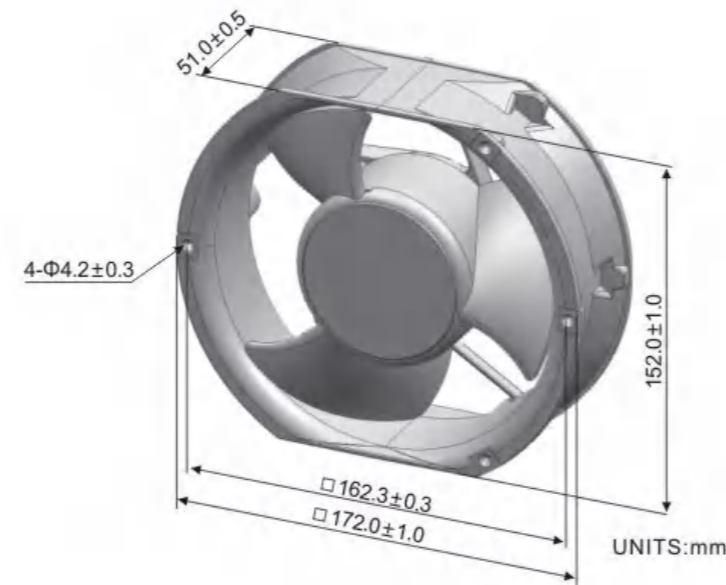
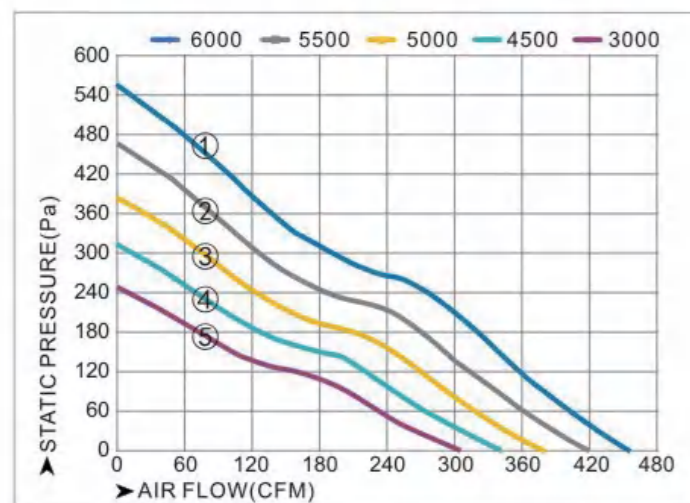
Product Characteristic

- Material: Frame: Plastic(UL94-VO) Impeller: Plastic(UL94-VO)
- Voltage: 24VDC(12~27.6VDC),48VDC(24~56VDC)
- Temperature: Operation Temperature: -10~70°C(Non-condensing)
- Specials: AS, RD, FG, PWM, Temperature Control, IP56



Technical Specifications

Model	Voltage	Current	Speed	Air Volume		Static Pressure			Noise	Weight	Curve
	V	A	RPM	CFM	m³/min	mm-H2O	Inch--H2O	Pa	dBA	g	
LWAD17251MX-06	24	4.5	6000	456	12.91	56.9	2.24	558	75	790g	①
LWAD17251MX-07	24	3.5	5500	418	11.84	47.8	1.88	469	73.1	790g	②
LWAD17251MH-08	24	2.5	5000	380	10.76	39.5	1.56	387	71	790g	③
LWAD17251MM-09	24	2	4500	342	9.68	32	1.26	314	68.8	790g	④
LWAD17251ML-10	24	1.5	4000	304	8.61	25.3	1	248	66.2	790g	⑤
LWAD17251HX-06	48	2	6000	456	12.91	56.9	2.24	558	75	790g	①
LWAD17251HX-07	48	1.6	5500	418	11.84	47.8	1.88	469	73.1	790g	②
LWAD17251HH-08	48	1.2	5000	380	10.76	39.5	1.56	387	71	790g	③
LWAD17251HM-09	48	1	4500	342	9.68	32	1.26	314	68.8	790g	④
LWAD17251HL-10	48	0.6	4000	304	8.61	25.3	1	248	66.2	790g	⑤



LWAD20060 Series

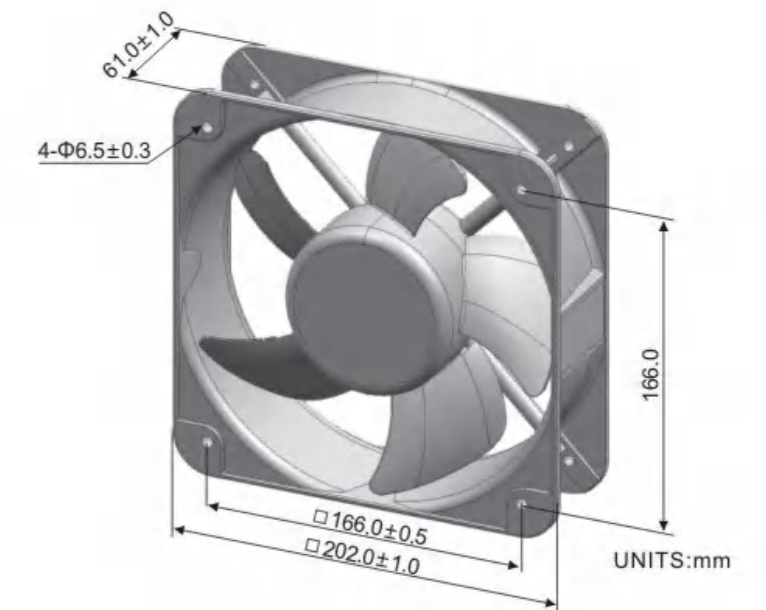
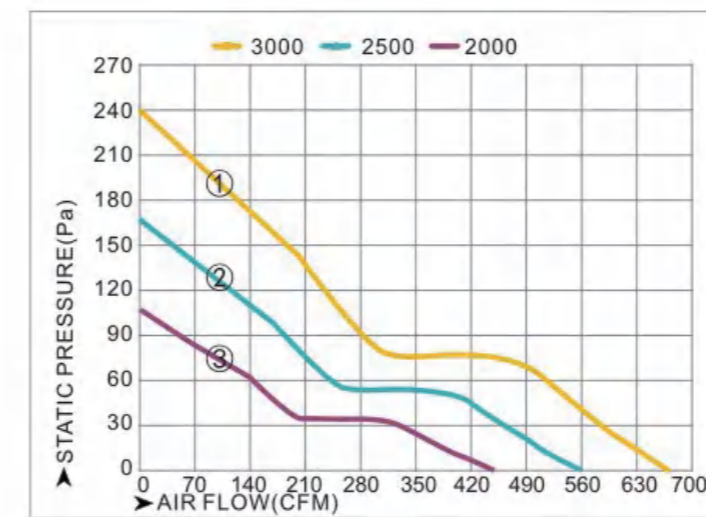
Product Characteristic

- Material: Frame: Plastic(UL94-VO) Impeller: Plastic(UL94-VO)
- Voltage: 12VDC(6~13.8VDC),24VDC(12~27.6VDC),48VDC(24~56VDC)
- Temperature: Operation Temperature: -10~70°C(Non-condensing)
- Specials: AS, RD, FG, PWM, Temperature Control, IP56



Technical Specifications

Model	Voltage	Current	Speed	Air Volume		Static Pressure			Noise	Weight	Curve
	V	A	RPM	CFM	m³/min	mm-H2O	Inch--H2O	Pa	dBA	g	
LWAD20060LM-01	12	3.5	2500	560	15.86	17.1	0.67	168	62	960g	①
LWAD20060LL-02	12	2.5	2000	448	12.69	11	0.43	107	57.2	960g	②
LWAD20060MH-01	24	3.5	3000	672	19.03	24.6	0.97	241	66	960g	③
LWAD20060MM-02	24	2	2500	560	15.86	17.1	0.67	168	62	960g	④
LWAD20060ML-03	24	1.5	2000	448	12.69	11	0.43	107	57.2	960g	⑤
LWAD20060HM-01	48	1.5	2500	560	15.86	17.1	0.67	168	62	960g	
LWAD20060HL-02	48	0.6	2000	448	12.69	11	0.43	107	57.2	960g	



LWFD4010 Series

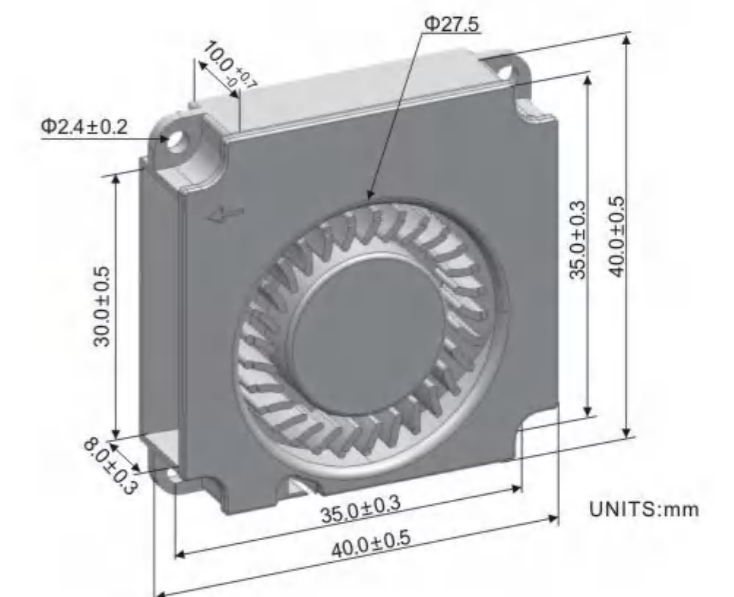
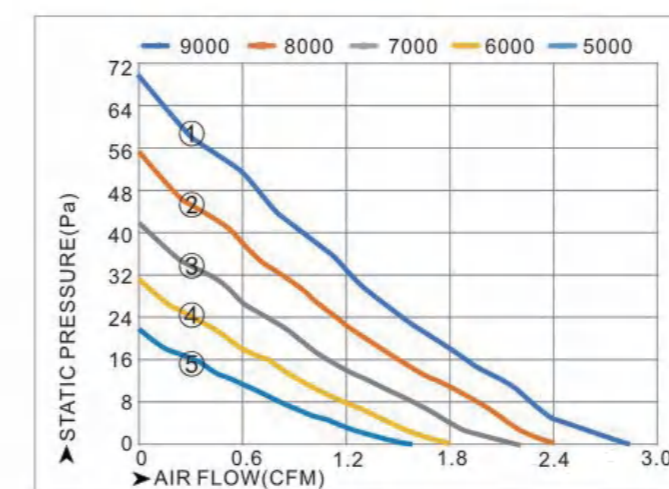
Product Characteristic

Material: Frame: Plastic(UL94-VO) Impeller: Plastic(UL94-VO)
Voltage: 5VDC(4.0~5.5VDC), 12VDC(6~13.8VDC), 24VDC(12~27.6VDC)
Temperature: Operation Temperature: -10~70°C(Non-condensing)
Specials: AS, RD, FG, PWM, Temperature Control, IP56



Technical Specifications

Model	Voltage	Current	Speed	Air Volume		Static Pressure			Noise	Weight	Curve
	V	A	RPM	CFM	m³/min	mm-H2O	Inch-H2O	Pa	dBA	g	
LWFD4010KX-01	5	0.4	9000	2.7	0.08	7.5	0.29	73	33.9	13g	①
LWFD4010KH-02	5	0.35	8000	2.4	0.07	5.9	0.23	58	31.3	13g	②
LWFD4010KM-03	5	0.3	7000	2.1	0.06	4.5	0.18	44	28.4	13g	③
LWFD4010KL-04	5	0.25	6000	1.8	0.05	3.3	0.13	33	25.1	13g	④
LWFD4010KD-05	5	0.2	5000	1.5	0.04	2.3	0.09	23	21.1	13g	⑤
LWFD4010LX-01	12	0.16	9000	2.7	0.08	7.5	0.29	73	35.2	13g	①
LWFD4010LH-02	12	0.14	8000	2.4	0.07	5.9	0.23	58	32.6	13g	②
LWFD4010LM-03	12	0.12	7000	2.1	0.06	4.5	0.18	44	29.7	13g	③
LWFD4010LL-04	12	0.1	6000	1.8	0.05	3.3	0.13	33	26.4	13g	④
LWFD4010LD-05	12	0.08	5000	1.5	0.04	2.3	0.09	23	22.4	13g	⑤
LWFD4010MX-01	24	0.1	9000	2.7	0.08	7.5	0.29	73	35.2	13g	①
LWFD4010MH-02	24	0.08	8000	2.4	0.07	5.9	0.23	58	32.6	13g	②
LWFD4010MM-03	24	0.06	7000	2.1	0.06	4.5	0.18	44	29.7	13g	③
LWFD4010ML-04	24	0.05	6000	1.8	0.05	3.3	0.13	33	26.4	13g	④
LWFD4010MD-05	24	0.04	5000	1.5	0.04	2.3	0.09	23	22.4	13g	⑤



DC Blower

LWFD5010 Series

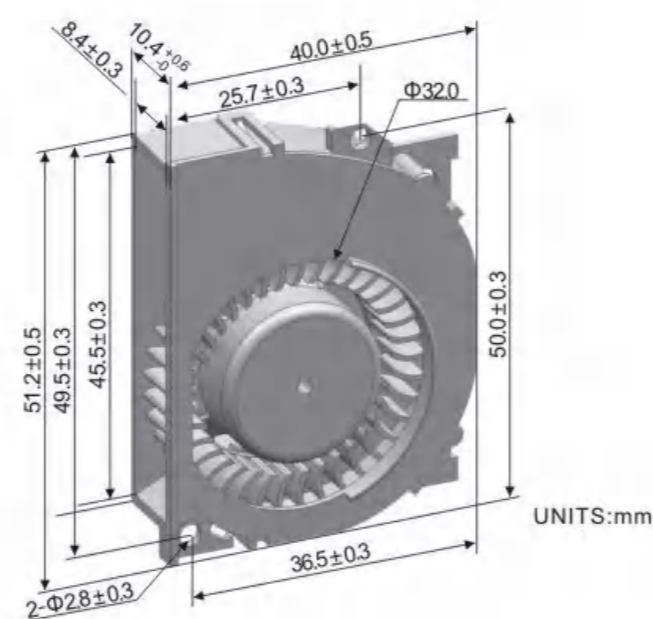
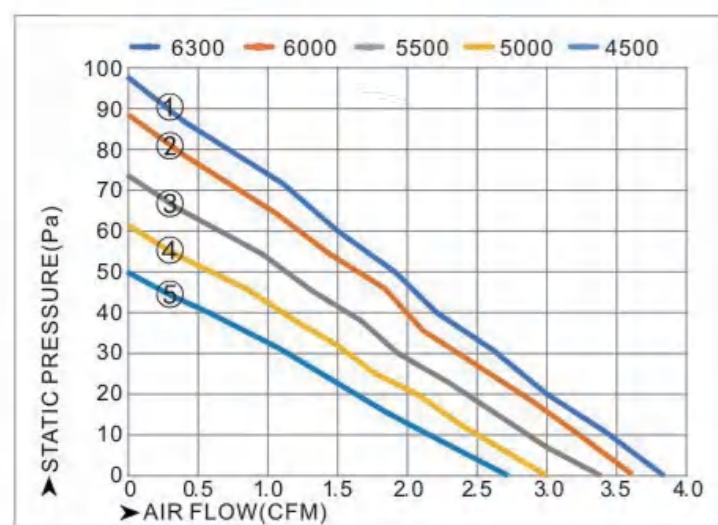
Product Characteristic

- Material: Frame: Plastic(UL94-VO) Impeller: Plastic(UL94-VO)
- Voltage: 5VDC(4.0~5.5VDC), 12VDC(6~13.8VDC), 24VDC(12~27.6VDC)
- Temperature: Operation Temperature: -10~70°C(Non-condensing)
- Specials: AS, RD, FG, PWM, Temperature Control, IP56



Technical Specifications

Model	Voltage	Current	Speed	Air Volume		Static Pressure			Noise	Weight	Curve
	V	A	RPM	CFM	m³/min	mm-H2O	Inch-H2O	Pa	dBA	g	
LWFD5010KX-01	5	0.4	6300	3.8	0.11	10.5	0.41	103	35.2	17g	①
LWFD5010KH-02	5	0.35	6000	3.6	0.1	9.5	0.37	93	34.1	17g	②
LWFD5010KM-03	5	0.3	5500	3.3	0.09	8	0.31	78	32.3	17g	③
LWFD5010KL-04	5	0.25	5000	3	0.09	6.6	0.26	65	30.2	17g	④
LWFD5010KD-05	5	0.2	4500	2.7	0.08	5.3	0.21	52	27.9	17g	⑤
LWFD5010LX-01	12	0.2	6300	3.8	0.11	10.5	0.41	103	35.2	17g	①
LWFD5010LH-02	12	0.16	6000	3.6	0.1	9.5	0.37	93	34.1	17g	②
LWFD5010LM-03	12	0.12	5500	3.3	0.09	8	0.31	78	32.3	17g	③
LWFD5010LL-04	12	0.1	5000	3	0.09	6.6	0.26	65	30.2	17g	④
LWFD5010LD-05	12	0.08	4500	2.7	0.08	5.3	0.21	52	27.9	17g	⑤
LWFD5010MX-01	24	0.12	6300	3.8	0.11	10.5	0.41	103	35.2	17g	①
LWFD5010MH-02	24	0.1	6000	3.6	0.1	9.5	0.37	93	34.1	17g	②
LWFD5010MM-03	24	0.08	5500	3.3	0.09	8	0.31	78	32.3	17g	③
LWFD5010ML-04	24	0.06	5000	3	0.09	6.6	0.26	65	30.2	17g	④
LWFD5010MD-05	24	0.04	4500	2.7	0.08	5.3	0.21	52	27.9	17g	⑤



LWFD5015 Series

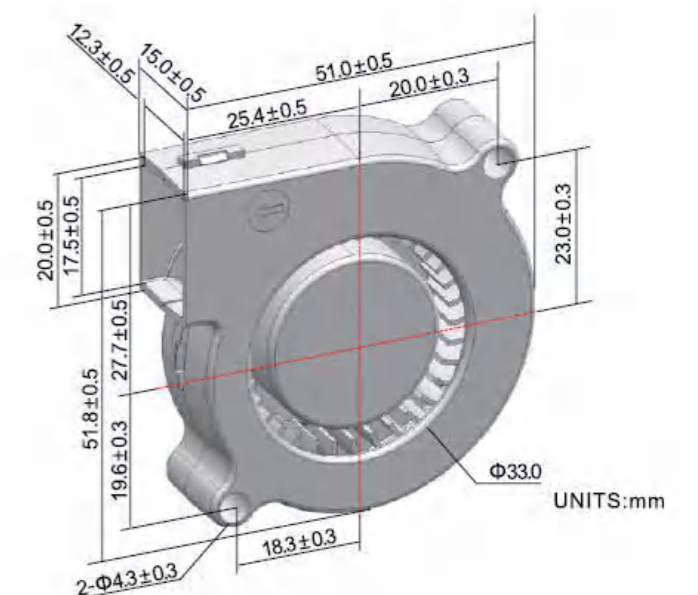
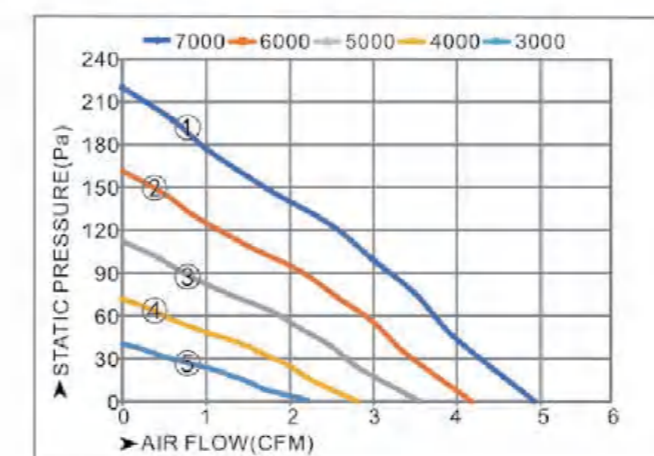
Product Characteristic

- Material: Frame: Plastic(UL94-VO) Impeller: Plastic(UL94-VO)
- Voltage: 5VDC(4.0~5.5VDC), 12VDC(6~13.8VDC), 24VDC(12~27.6VDC)
- Temperature: Operation Temperature: -10~70°C(Non-condensing)
- Specials: AS, RD, FG, PWM, Temperature Control, IP56



Technical Specifications

Model	Voltage	Current	Speed	Air Volume		Static Pressure			Noise	Weight	Curve
	V	A	RPM	CFM	m³/min	mm-H2O	Inch-H2O	Pa	dBA	g	
LWFD5015KX-01	5	0.6	7000	4.9	0.14	23.6	0.93	231	47.1	29g	①
LWFD5015KH-02	5	0.5	6000	4.2	0.12	17.3	0.68	170	43.8	29g	②
LWFD5015KM-03	5	0.4	5000	3.5	0.1	12	0.47	118	39.8	29g	③
LWFD5015KL-04	5	0.35	4000	2.8	0.08	7.7	0.3	75	34.9	29g	④
LWFD5015KD-05	5	0.26	3000	2.1	0.06	4.3	0.17	42	28.7	29g	⑤
LWFD5015LX-01	12	0.26	7000	4.9	0.14	23.6	0.93	231	47.1	29g	①
LWFD5015LH-02	12	0.24	6000	4.2	0.12	17.3	0.68	170	43.8	29g	②
LWFD5015LM-03	12	0.2	5000	3.5	0.1	12	0.47	118	39.8	29g	③
LWFD5015LL-04	12	0.16	4000	2.8	0.08	7.7	0.3	75	34.9	29g	④
LWFD5015LD-05	12	0.12	3000	2.1	0.06	4.3	0.17	42	28.7	29g	⑤
LWFD5015MX-01	24	0.18	7000	4.9	0.14	23.6	0.93	231	47.1	29g	①
LWFD5015MH-02	24	0.16	6000	4.2	0.12	17.3	0.68	170	43.8	29g	②
LWFD5015MM-03	24	0.14	5000	3.5	0.1	12	0.47	118	39.8	29g	③
LWFD5015ML-04	24	0.12	4000	2.8	0.08	7.7	0.3	75	34.9	29g	④
LWFD5015MD-05	24	0.1	3000	2.1	0.06	4.3	0.17	42	28.7	29g	⑤



LWFD5020 Series

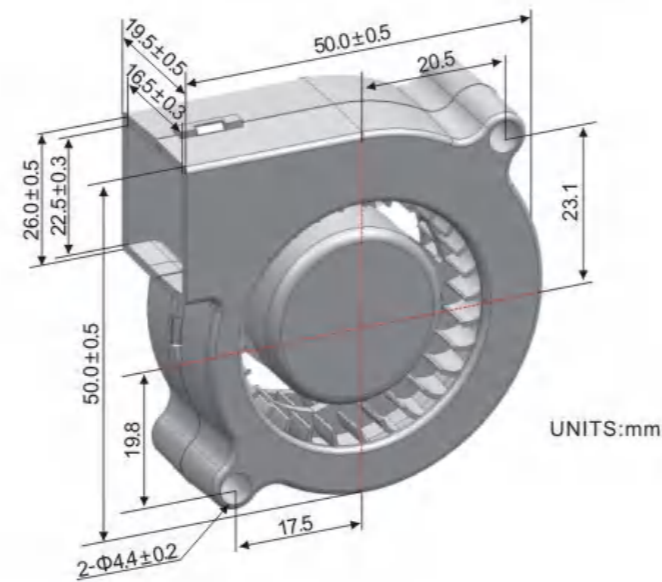
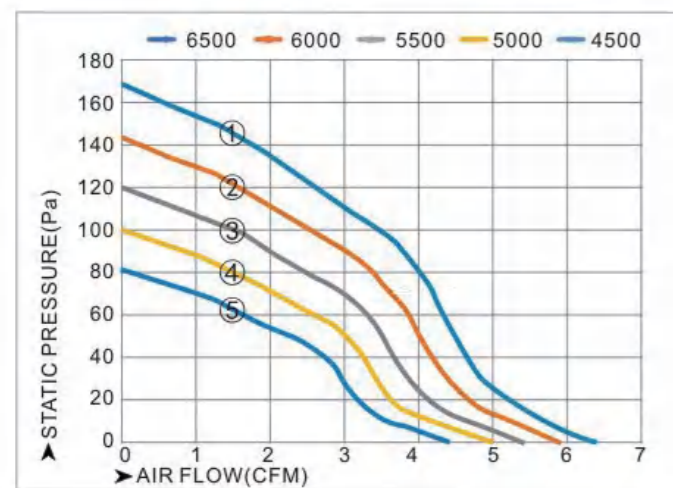
Product Characteristic

- Material: Frame: Plastic(UL94-VO) Impeller: Plastic(UL94-VO)
- Voltage: 5VDC(4.0~5.5VDC), 12VDC(6~13.8VDC), 24VDC(12~27.6VDC)
- Temperature: Operation Temperature: -10~70°C(Non-condensing)
- Specials: AS, RD, FG, PWM, Temperature Control, IP56



Technical Specifications

Model	Voltage	Current	Speed	Air Volume		Static Pressure			Noise	Weight	Curve
	V	A	RPM	CFM	m³/min	mm-H2O	Inch-H2O	Pa	dBA	g	
LWFD5020KX-01	5	0.6	6500	6.1	0.17	18.2	0.72	179	39.2	34g	①
LWFD5020KH-02	5	0.5	6000	5.6	0.16	15.5	0.61	152	37.5	34g	②
LWFD5020KM-03	5	0.4	5500	5.2	0.15	13.1	0.51	128	35.6	34g	③
LWFD5020KL-04	5	0.35	5000	4.7	0.13	10.8	0.43	106	33.5	34g	④
LWFD5020KD-05	5	0.26	4500	4.2	0.12	8.7	0.34	86	31.2	34g	⑤
LWFD5020LX-01	12	0.28	6500	6.1	0.17	18.2	0.72	179	39.2	34g	①
LWFD5020LH-02	12	0.24	6000	5.6	0.16	15.5	0.61	152	37.5	34g	②
LWFD5020LM-03	12	0.2	5500	5.2	0.15	13.1	0.51	128	35.6	34g	③
LWFD5020LL-04	12	0.16	5000	4.7	0.13	10.8	0.43	106	33.5	34g	④
LWFD5020LD-05	12	0.12	4500	4.2	0.12	8.7	0.34	86	31.2	34g	⑤
LWFD5020MX-01	24	0.18	6500	6.1	0.17	18.2	0.72	179	39.2	34g	①
LWFD5020MH-02	24	0.16	6000	5.6	0.16	15.5	0.61	152	37.5	34g	②
LWFD5020MM-03	24	0.14	5500	5.2	0.15	13.1	0.51	128	35.6	34g	③
LWFD5020ML-04	24	0.12	5000	4.7	0.13	10.8	0.43	106	33.5	34g	④
LWFD5020MD-05	24	0.1	4500	4.2	0.12	8.7	0.34	86	31.2	34g	⑤



LWFD5025 Series

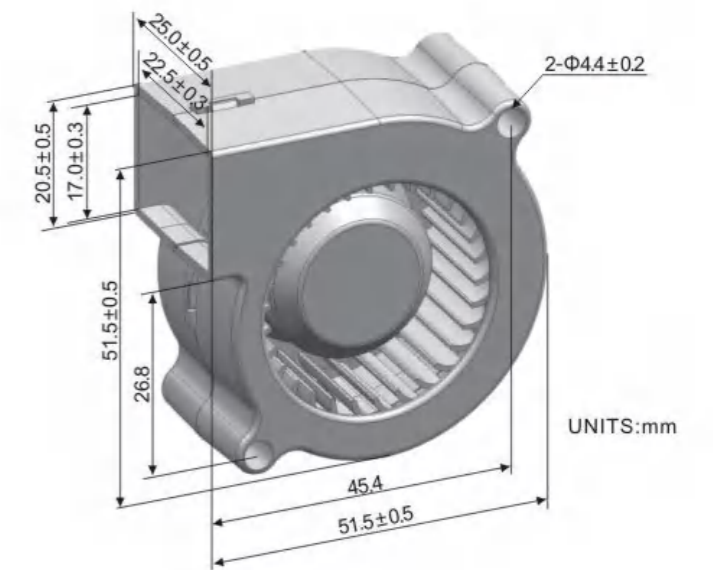
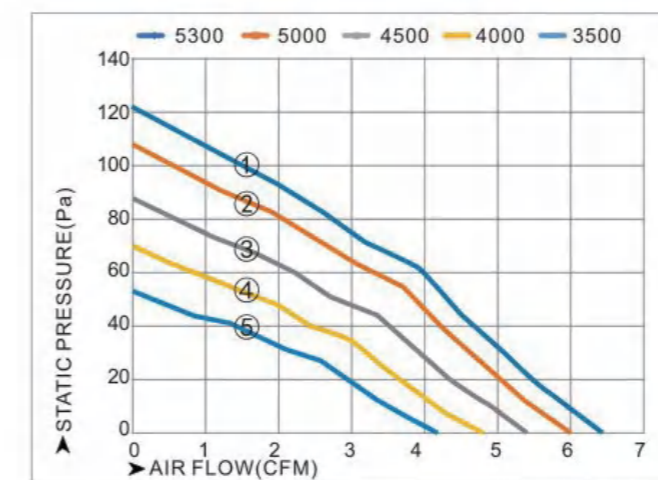
Product Characteristic

- Material: Frame: Plastic(UL94-VO) Impeller: Plastic(UL94-VO)
- Voltage: 5VDC(4.0~5.5VDC), 12VDC(6~13.8VDC), 24VDC(12~27.6VDC)
- Temperature: Operation Temperature: -10~70°C(Non-condensing)
- Specials: AS, RD, FG, PWM, Temperature Control, IP56



Technical Specifications

Model	Voltage	Current	Speed	Air Volume		Static Pressure			Noise	Weight	Curve
	V	A	RPM	CFM	m³/min	mm-H2O	Inch-H2O	Pa	dBA	g	
LWFD5025KX-01	5	0.5	5300	6.4	0.18	13.1	0.52	128	37	34g	④
LWFD5025KH-02	5	0.4	5000	6	0.17	11.7	0.46	114	35.7	34g	②
LWFD5025KM-03	5	0.3	4500	5.4	0.15	9.4	0.37	93	33.4	34g	③
LWFD5025KL-04	5	0.25	4000	4.8	0.14	7.5	0.29	73	30.9	34g	④
LWFD5025KD-05	5	0.2	3500	4.2	0.12	5.7	0.22	56	28	34g	⑤
LWFD5025LX-01	12	0.25	5300	6.4	0.18	13.1	0.52	128	37	34g	①
LWFD5025LH-02	12	0.2	5000	6	0.17	11.7	0.46	114	35.7	34g	②
LWFD5025LM-03	12	0.15	4500	5.4	0.15	9.4	0.37	93	33.4	34g	③
LWFD5025LL-04	12	0.12	4000	4.8	0.14	7.5	0.29	73	30.9	34g	④
LWFD5025LD-05	12	0.1	3500	4.2	0.12	5.7	0.22	56	28	34g	⑤
LWFD5025MX-01	24	0.18	5300	6.4	0.18	13.1	0.52	128	37	34g	①
LWFD5025MH-02	24	0.12	5000	6	0.17	11.7	0.46	114	35.7	34g	②
LWFD5025MM-03	24	0.1	4500	5.4	0.15	9.4	0.37	93	33.4	34g	③
LWFD5025ML-04	24	0.08	4000	4.8	0.14	7.5	0.29	73	30.9	34g	④
LWFD5025MD-05	24	0.06	3500	4.2	0.12	5.7	0.22	56	28	34g	⑤



LWFD6015 Series

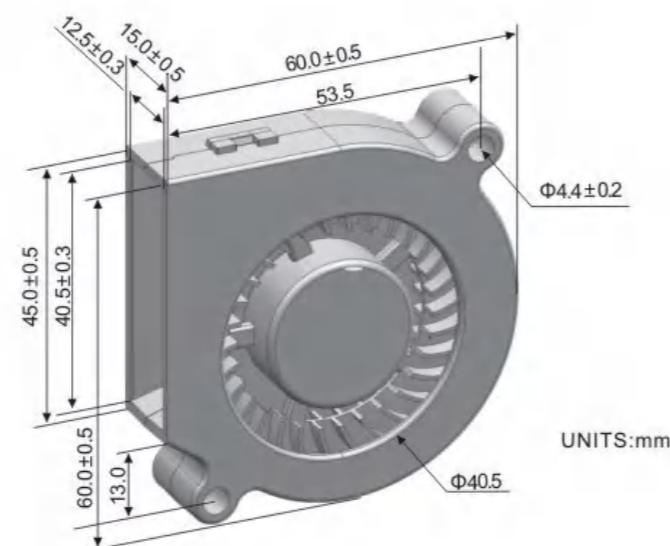
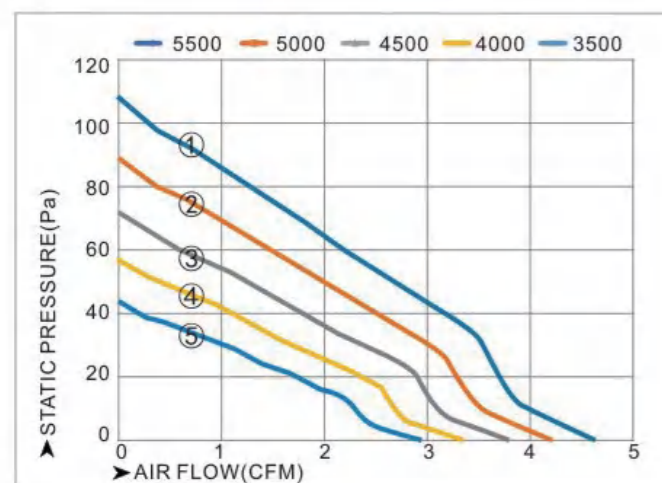
Product Characteristic

- Material: Frame: Plastic(UL94-VO) Impeller: Plastic(UL94-VO)
- Voltage: 5VDC(4.0~5.5VDC), 12VDC(6~13.8VDC), 24VDC(12~27.6VDC)
- Temperature: Operation Temperature: -10~70°C(Non-condensing)
- Specials: AS, RD, FG, PWM, Temperature Control, IP56



Technical Specifications

Model	Voltage	Current	Speed	Air Volume		Static Pressure			Noise	Weight	Curve
	V	A	RPM	CFM	m³/min	mm-H2O	Inch-H2O	Pa	dBA	g	
LWFD6015KX-01	5	0.6	5500	4.4	0.12	11.1	0.44	109	43.6	32g	①
LWFD6015KH-02	5	0.5	5000	4	0.11	9.2	0.36	90	41.5	32g	②
LWFD6015KM-03	5	0.4	4500	3.6	0.1	7.5	0.29	73	39.2	32g	③
LWFD6015KL-04	5	0.35	4000	3.2	0.09	5.9	0.23	58	36.7	32g	④
LWFD6015KD-05	5	0.26	3500	2.8	0.08	4.5	0.18	44	33.8	32g	⑤
LWFD6015LX-01	12	0.28	5500	4.4	0.12	11.1	0.44	109	43.6	32g	①
LWFD6015LH-02	12	0.24	5000	4	0.11	9.2	0.36	90	41.5	32g	②
LWFD6015LM-03	12	0.2	4500	3.6	0.1	7.5	0.29	73	39.2	32g	③
LWFD6015LL-04	12	0.16	4000	3.2	0.09	5.9	0.23	58	36.7	32g	④
LWFD6015LD-05	12	0.12	3500	2.8	0.08	4.5	0.18	44	33.8	32g	⑤
LWFD6015MX-01	24	0.18	5500	4.4	0.12	11.1	0.44	109	43.6	32g	①
LWFD6015MH-02	24	0.16	5000	4	0.11	9.2	0.36	90	41.5	32g	②
LWFD6015MM-03	24	0.14	4500	3.6	0.1	7.5	0.29	73	39.2	32g	③
LWFD6015ML-04	24	0.12	4000	3.2	0.09	5.9	0.23	58	36.7	32g	④
LWFD6015MD-05	24	0.1	3500	2.8	0.08	4.5	0.18	44	33.8	32g	⑤



LWFD6025 Series

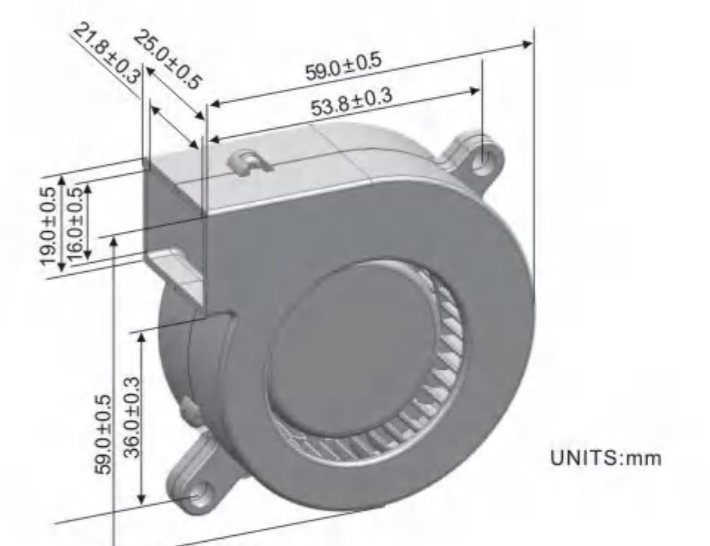
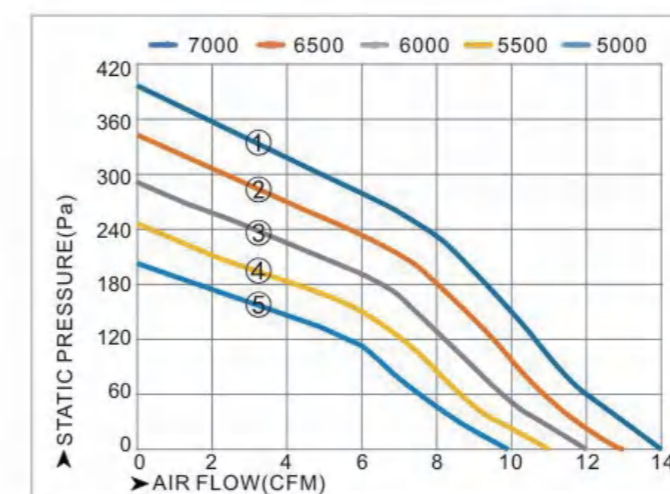
Product Characteristic

- Material: Frame: Plastic(UL94-VO) Impeller: Plastic(UL94-VO)
- Voltage: 12VDC(6~13.8VDC), 24VDC(12~27.6VDC), 48VDC(24~56VDC)
- Temperature: Operation Temperature: -10~70°C(Non-condensing)
- Specials: AS, RD, FG, PWM, Temperature Control, IP56



Technical Specifications

Model	Voltage	Current	Speed	Air Volume		Static Pressure			Noise	Weight	Curve
	V	A	RPM	CFM	m³/min	mm-H2O	Inch-H2O	Pa	dBA	g	
LWFD6025LX-01	12	0.7	7000	14	0.4	42.5	1.67	417	51.2	56g	①
LWFD6025LH-02	12	0.6	6500	13	0.37	36.7	1.44	359	49.6	56g	②
LWFD6025LM-03	12	0.5	6000	12	0.34	31.3	1.23	306	47.9	56g	③
LWFD6025LL-04	12	0.4	5500	11	0.31	26.3	1.03	257	46	56g	④
LWFD6025LD-05	12	0.3	5000	10	0.28	21.7	0.85	213	43.9	56g	⑤
LWFD6025MX-01	24	0.4	7000	14	0.4	42.5	1.67	417	51.2	56g	①
LWFD6025MH-02	24	0.35	6500	13	0.37	36.7	1.44	359	49.6	56g	②
LWFD6025MM-03	24	0.3	6000	12	0.34	31.3	1.23	306	47.9	56g	③
LWFD6025ML-04	24	0.25	5500	11	0.31	26.3	1.03	257	46	56g	④
LWFD6025MD-05	24	0.2	5000	10	0.28	21.7	0.85	213	43.9	56g	⑤
LWFD6025HX-01	48	0.3	7000	14	0.4	42.5	1.67	417	51.2	56g	①
LWFD6025HH-02	48	0.25	6500	13	0.37	36.7	1.44	359	49.6	56g	②
LWFD6025HM-03	48	0.2	6000	12	0.34	31.3	1.23	306	47.9	56g	③
LWFD6025HL-04	48	0.15	5500	11	0.31	26.3	1.03	257	46	56g	④
LWFD6025HD-05	48	0.1	5000	10	0.28	21.7	0.85	213	43.9	56g	⑤



LWFD7515 Series

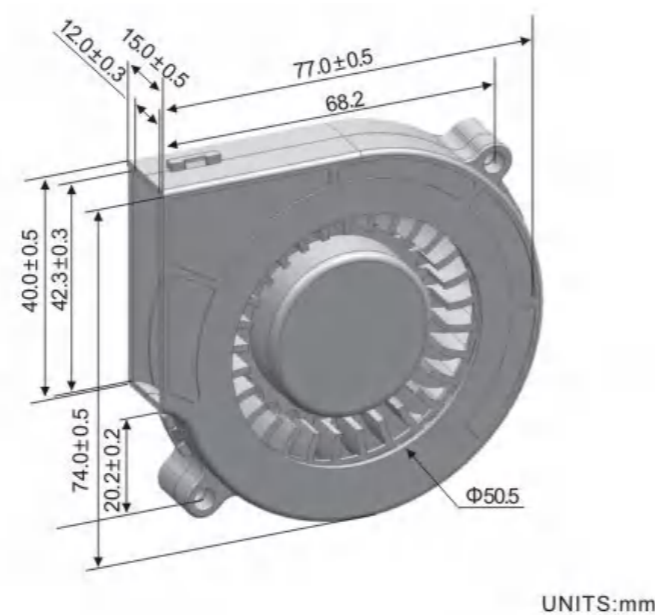
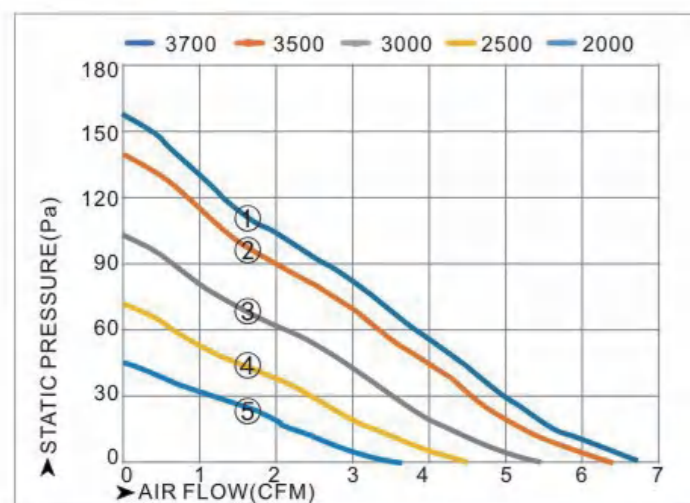
Product Characteristic

- Material: Frame: Plastic(UL94-VO) Impeller: Plastic(UL94-VO)
- Voltage: 5VDC(4.0~5.5VDC), 12VDC(6~13.8VDC), 24VDC(12~27.6VDC)
- Temperature: Operation Temperature: -10~70°C(Non-condensing)
- Specials: AS, RD, FG, PWM, Temperature Control, IP56



Technical Specifications

Model	Voltage	Current	Speed	Air Volume		Static Pressure			Noise	Weight	Curve
	V	A	RPM	CFM	m³/min	mm-H2O	Inch-H2O	Pa	dBA	g	
LWFD7515KX-01	5	0.6	3700	6.7	0.19	16.9	0.66	165	41.9	47g	①
LWFD7515KH-02	5	0.5	3500	6.4	0.18	15.1	0.59	148	40.7	47g	②
LWFD7515KM-03	5	0.45	3000	5.4	0.15	11.1	0.44	109	37.3	47g	③
LWFD7515KL-04	5	0.4	2500	4.5	0.13	7.7	0.3	75	33.4	47g	④
LWFD7515KD-05	5	0.3	2000	3.6	0.1	4.9	0.19	48	28.5	47g	⑤
LWFD7515LX-01	12	0.3	3700	6.7	0.19	16.9	0.66	165	41.9	47g	①
LWFD7515LH-02	12	0.26	3500	6.4	0.18	15.1	0.59	148	40.7	47g	②
LWFD7515LM-03	12	0.22	3000	5.4	0.15	11.1	0.44	109	37.3	47g	③
LWFD7515LL-04	12	0.2	2500	4.5	0.13	7.7	0.3	75	33.4	47g	④
LWFD7515LD-05	12	0.15	2000	3.6	0.1	4.9	0.19	48	28.5	47g	⑤
LWFD7515MX-01	24	0.2	3700	6.7	0.19	16.9	0.66	165	41.9	47g	①
LWFD7515MH-02	24	0.16	3500	6.4	0.18	15.1	0.59	148	40.7	47g	②
LWFD7515MM-03	24	0.14	3000	5.4	0.15	11.1	0.44	109	37.3	47g	③
LWFD7515ML-04	24	0.12	2500	4.5	0.13	7.7	0.3	75	33.4	47g	④
LWFD7515MD-05	24	0.1	2000	3.6	0.1	4.9	0.19	48	28.5	47g	⑤



UNITS:mm

LWFD7525 Series

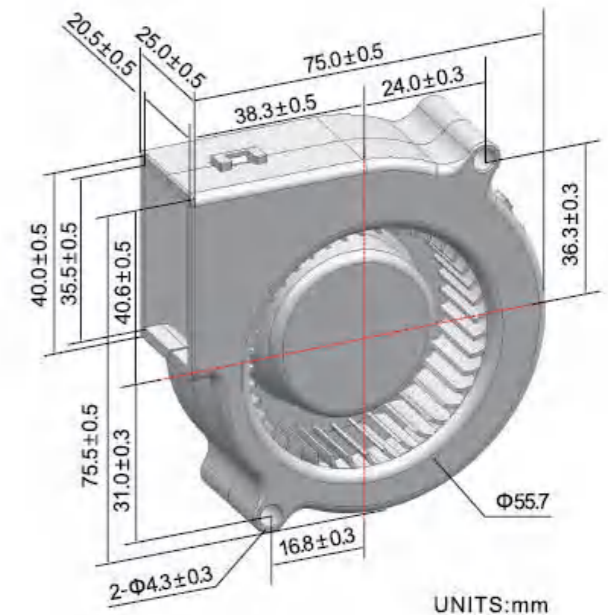
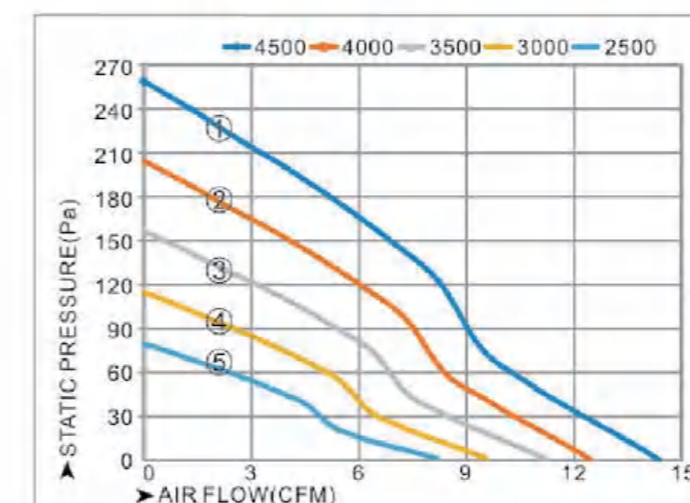
Product Characteristic

- Material: Frame: Plastic(UL94-VO) Impeller: Plastic(UL94-VO)
- Voltage: 12VDC(6~13.8VDC), 24VDC(12~27.6VDC), 48VDC(24~56VDC)
- Temperature: Operation Temperature: -10~70°C(Non-condensing)
- Specials: AS, RD, FG, PWM, Temperature Control, IP56



Technical Specifications

Model	Voltage	Current	Speed	Air Volume		Static Pressure			Noise	Weight	Curve
	V	A	RPM	CFM	m³/min	mm-H2O	Inch-H2O	Pa	dBA	g	
LWFD7525LX-01	12	0.7	4500	14.2	0.4	27.7	1.09	272	50.7	67g	①
LWFD7525LH-02	12	0.6	4000	12.6	0.36	21.9	0.86	215	48.1	67g	②
LWFD7525LM-03	12	0.5	3500	11	0.31	16.8	0.66	164	45.2	67g	③
LWFD7525LL-04	12	0.4	3000	9.5	0.27	12.3	0.49	121	41.9	67g	④
LWFD7525LD-05	12	0.3	2500	7.9	0.22	8.6	0.34	84	37.9	67g	⑤
LWFD7525MX-01	24	0.4	4500	14.2	0.4	27.7	1.09	272	50.7	67g	①
LWFD7525MH-02	24	0.35	4000	12.6	0.36	21.9	0.86	215	48.1	67g	②
LWFD7525MM-03	24	0.3	3500	11	0.31	16.8	0.66	164	45.2	67g	③
LWFD7525ML-04	24	0.25	3000	9.5	0.27	12.3	0.49	121	41.9	67g	④
LWFD7525MD-05	24	0.2	2500	7.9	0.22	8.6	0.34	84	37.9	67g	⑤
LWFD7525HX-01	48	0.3	4500	14.2	0.4	27.7	1.09	272	50.7	67g	①
LWFD7525HH-02	48	0.25	4000	12.6	0.36	21.9	0.86	215	48.1	67g	②
LWFD7525HM-03	48	0.2	3500	11	0.31	16.8	0.66	164	45.2	67g	③
LWFD7525HL-04	48	0.15	3000	9.5	0.27	12.3	0.49	121	41.9	67g	④
LWFD7525HD-05	48	0.1	2500	7.9	0.22	8.6	0.34	84	37.9	67g	⑤



UNITS:mm

LWFD7530 Series

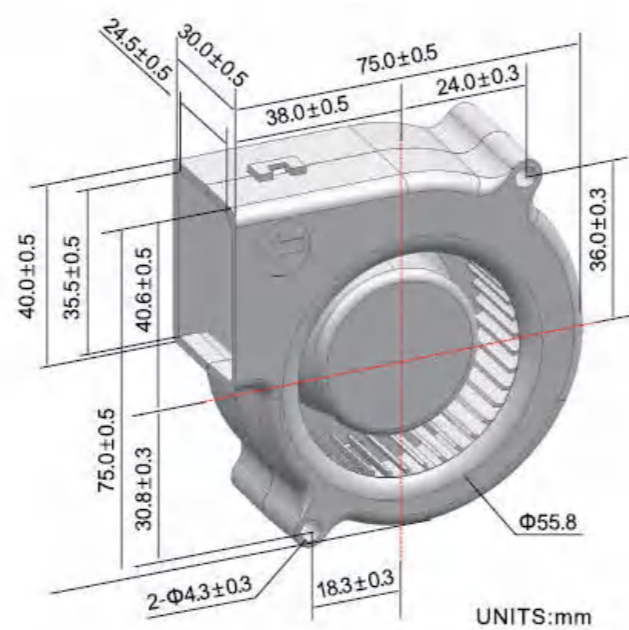
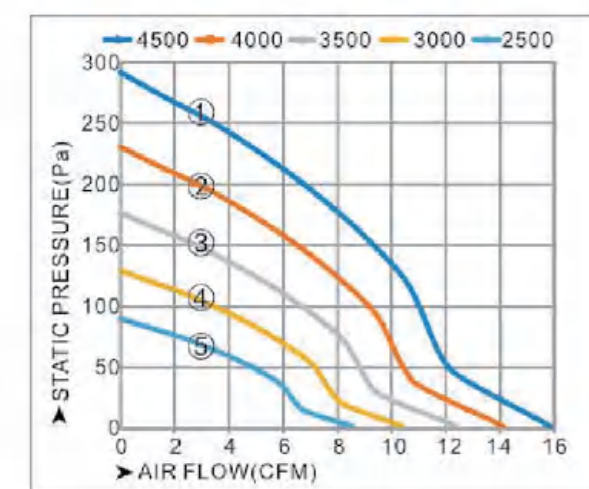
Product Characteristic

- Material: Frame: Plastic(UL94-VO) Impeller: Plastic(UL94-VO)
- Voltage: 12VDC(6~13.8VDC),24VDC(12~27.6VDC),48VDC(24~56VDC)
- Temperature: Operation Temperature: -10~70°C(Non-condensing)
- Specials: AS, RD, FG, PWM, Temperature Control, IP56



Technical Specifications

Model	Voltage	Current	Speed	Air Volume		Static Pressure			Noise	Weight	Curve
	V	A	RPM	CFM	m³/min	mm-H2O	Inch-H2O	Pa	dBA	g	
LWFD7530LX-01	12	0.7	4500	16	0.45	31.3	1.23	306	50.6	77g	①
LWFD7530LH-02	12	0.6	4000	14.2	0.4	24.7	0.97	242	48	77g	②
LWFD7530LM-03	12	0.5	3500	12.4	0.35	18.9	0.74	185	45.1	77g	③
LWFD7530LL-04	12	0.4	3000	10.6	0.3	13.9	0.55	136	41.8	77g	④
LWFD7530LD-05	12	0.3	2500	8.9	0.25	9.6	0.38	95	37.8	77g	⑤
LWFD7530MX-01	24	0.4	4500	16	0.45	31.3	1.23	306	50.6	77g	①
LWFD7530MH-02	24	0.35	4000	14.2	0.4	24.7	0.97	242	48	77g	②
LWFD7530MM-03	24	0.3	3500	12.4	0.35	18.9	0.74	185	45.1	77g	③
LWFD7530ML-04	24	0.25	3000	10.6	0.3	13.9	0.55	136	41.8	77g	④
LWFD7530MD-05	24	0.2	2500	8.9	0.25	9.6	0.38	95	37.8	77g	⑤
LWFD7530HX-01	48	0.3	4500	16	0.45	31.3	1.23	306	50.6	77g	①
LWFD7530HH-02	48	0.25	4000	14.2	0.4	24.7	0.97	242	48	77g	②
LWFD7530HM-03	48	0.2	3500	12.4	0.35	18.9	0.74	185	45.1	77g	③
LWFD7530HL-04	48	0.15	3000	10.6	0.3	13.9	0.55	136	41.8	77g	④
LWFD7530HD-05	48	0.1	2500	8.9	0.25	9.6	0.38	95	37.8	77g	⑤



LWFD9733 Series

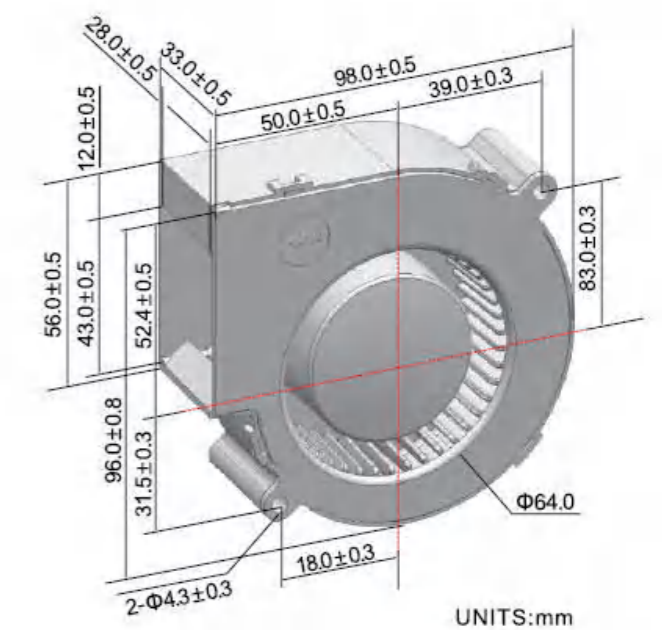
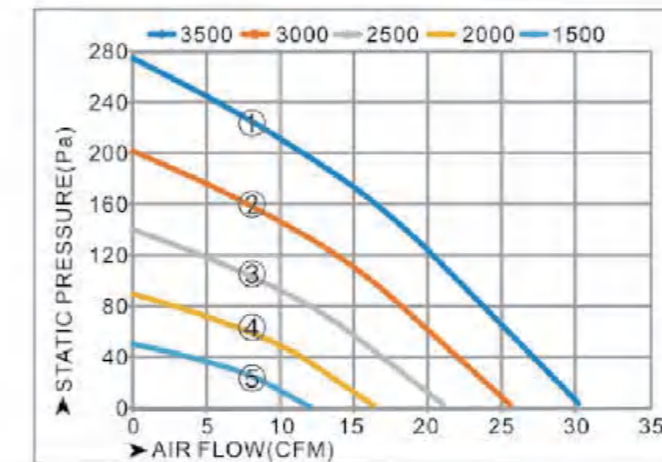
Product Characteristic

- Material: Frame: Plastic(UL94-VO) Impeller: Plastic(UL94-VO)
- Voltage: 12VDC(6~13.8VDC),24VDC(12~27.6VDC),48VDC(24~56VDC)
- Temperature: Operation Temperature: -10~70°C(Non-condensing)
- Specials: AS, RD, FG, PWM, Temperature Control, IP56



Technical Specifications

Model	Voltage	Current	Speed	Air Volume		Static Pressure			Noise	Weight	Curve
	V	A	RPM	CFM	m³/min	mm-H2O	Inch-H2O	Pa	dBA	g	
LWFD9733LX-01	12	1	3500	30	0.85	29.4	1.16	288	50.8	190g	①
LWFD9733LH-02	12	0.8	3000	25.7	0.73	21.6	0.85	212	47.5	190g	②
LWFD9733LM-03	12	0.6	2500	21.5	0.61	15	0.59	147	43.5	190g	③
LWFD9733LL-04	12	0.4	2000	17.2	0.49	9.6	0.38	94	38.7	190g	④
LWFD9733LD-05	12	0.3	1500	12.9	0.36	5.4	0.21	53	32.4	190g	⑤
LWFD9733MX-01	24	0.6	3500	30	0.85	29.4	1.16	288	50.8	190g	①
LWFD9733MH-02	24	0.5	3000	25.7	0.73	21.6	0.85	212	47.5	190g	②
LWFD9733MM-03	24	0.4	2500	21.5	0.61	15	0.59	147	43.5	190g	③
LWFD9733ML-04	24	0.3	2000	17.2	0.49	9.6	0.38	94	38.7	190g	④
LWFD9733MD-05	24	0.2	1500	12.9	0.36	5.4	0.21	53	32.4	190g	⑤
LWFD9733HX-01	48	0.4	3500	30	0.85	29.4	1.16	288	50.8	190g	①
LWFD9733HH-02	48	0.3	3000	25.7	0.73	21.6	0.85	212	47.5	190g	②
LWFD9733HM-03	48	0.2	2500	21.5	0.61	15	0.59	147	43.5	190g	③
LWFD9733HL-04	48	0.15	2000	17.2	0.49	9.6	0.38	94	38.7	190g	④
LWFD9733HD-05	48	0.1	1500	12.9	0.36	5.4	0.21	53	32.4	190g	⑤



LWFD12032 Series

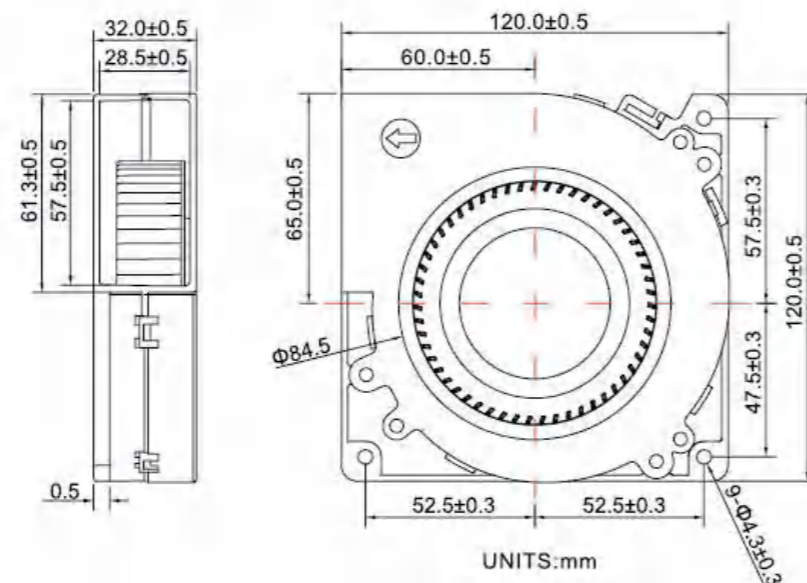
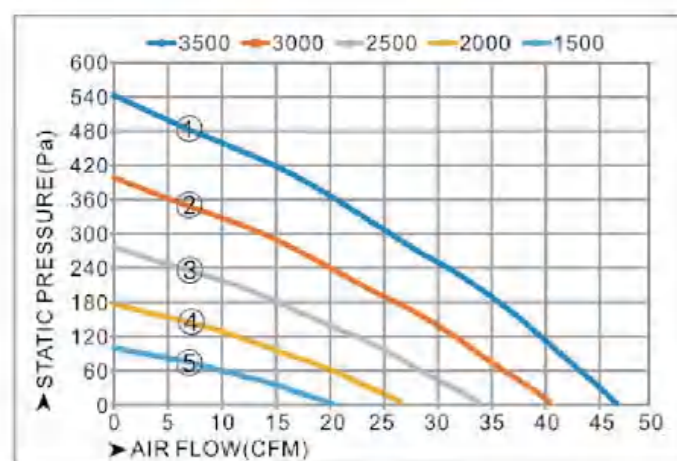
Product Characteristic

- Material: Frame: Plastic(UL94-VO) Impeller: Plastic(UL94-VO)
- Voltage: 12VDC(6~13.8VDC),24VDC(12~27.6VDC),48VDC(24~56VDC)
- Temperature: Operation Temperature: -10~70°C(Non-condensing)
- Specials: AS, RD, FG, PWM, Temperature Control, IP56



Technical Specifications

Model	Voltage	Current	Speed	Air Volume		Static Pressure			Noise	Weight	Curve
	V	A	RPM	CFM	m ³ /min	mm-H2O	Inch-H2O	Pa	dBA	g	
LWFD12032LX-01	12	2	3500	47	1.33	58.2	2.29	570	57	268g	①
LWFD12032LH-02	12	1	3000	40.3	1.14	42.7	1.68	419	53.7	268g	②
LWFD12032LM-03	12	0.7	2500	33.5	0.95	29.7	1.17	291	49.7	268g	③
LWFD12032LL-04	12	0.5	2000	26.8	0.76	19	0.75	186	44.8	268g	④
LWFD12032LD-05	12	0.3	1500	20.1	0.57	10.7	0.42	105	38.6	268g	⑤
LWFD12032MX-01	24	1	3500	47	1.33	58.2	2.29	570	57	268g	①
LWFD12032MH-02	24	0.6	3000	40.3	1.14	42.7	1.68	419	53.7	268g	②
LWFD12032MM-03	24	0.4	2500	33.5	0.95	29.7	1.17	291	49.7	268g	③
LWFD12032ML-04	24	0.35	2000	26.8	0.76	19	0.75	186	44.8	268g	④
LWFD12032MD-05	24	0.2	1500	20.1	0.57	10.7	0.42	105	38.6	268g	⑤
LWFD12032HX-01	48	0.5	3500	47	1.33	58.2	2.29	570	57	268g	①
LWFD12032HH-02	48	0.3	3000	40.3	1.14	42.7	1.68	419	53.7	268g	②
LWFD12032HM-03	48	0.25	2500	33.5	0.95	29.7	1.17	291	49.7	268g	③
LWFD12032HL-04	48	0.2	2000	26.8	0.76	19	0.75	186	44.8	268g	④
LWFD12032HD-05	48	0.15	1500	20.1	0.57	10.7	0.42	105	38.6	268g	⑤



EC Axial Flow Fan

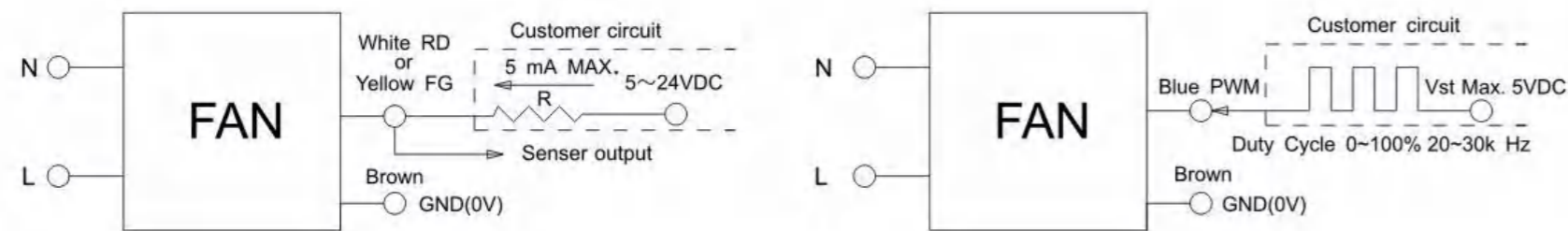
EC Axial Flow Fans

Product Characteristic

- Operating Voltage : 85 ~265VAC(50/60Hz)/VDC (2006/2072/2509 : 120-265VAC 50/60Hz)
- Operating Temperature : -25 C ~70 C (2006/2072/2509 : -10° C ~70°C), 15%~ 90% RH (Frost Eliminated)
- Special : RD, FG, PWM, IP56, A*(only for:SF1238)



Note: * A for alarm function, three wires(Red-White for NO, Red-Yellow for NC): Trigger alarm when the actual speed drops to 70± 5% of rated speed ; Contact load: 1A30VDC, 0.5A125VAC.



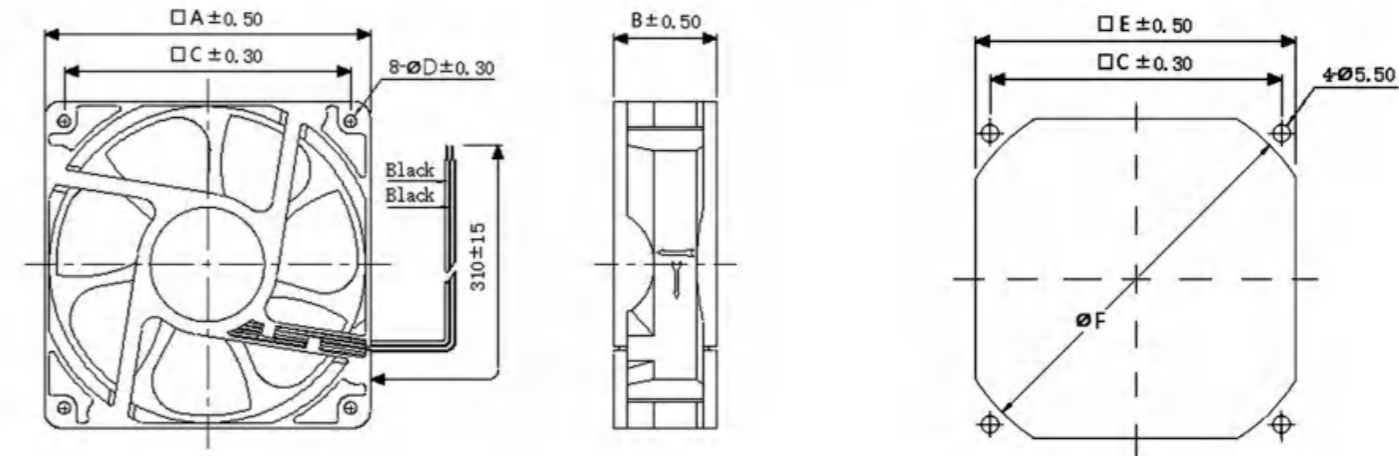
Technical Specifications

	Dimensions	Model	Voltage	Frequency	Current	Power	Speed	Air Flow	Static Pressure	N0ise	Weight
			V	Hz	A	W	RPM	CFM	Inch--H20	dBA	g
LW6025	60x60x25	LWAE6025SH-01	100-240	50/60	0.04~0.03	2.4~5.3	4500	15.74	0.28	31	72
		LWAE6025SM-02	100-240	50/60	0.03~0.02	1.5~2.9	4000	13.57	1.28	32	72
		LWAE6025SL-03	100-240	50/60	0.02~0.01	1.4~2.3	3500	11.32	2.28	33	72
LW8025	80x80x25	LWAE8025SH-01	100-240	50/60	0.05~0.04	3.5~4.7	3500	39.84	3.28	34	95
		LWAE8025SM-02	100-240	50/60	0.04~0.03	2.4~3.5	3000	33.06	4.28	35	95
		LWAE8025SL-03	100-240	50/60	0.03~0.02	1.5~2.9	2500	26.16	5.28	36	95
LW8038	80x80x38	LWAE8038SX-01	100-240	50/60	0.07~0.05	4.4~5.9	4500	47.43	6.28	37	105
		LWAE8038SH-02	100-240	50/60	0.05~0.04	3.4~4.6	4000	41.79	7.28	38	105
		LWAE8038SM-03	100-240	50/60	0.04~0.03	2.5~3.8	3500	38.86	8.28	39	105
		LWAE8038SL-04	100-240	50/60	0.04~0.03	2.3~5.3	3000	34.26	9.28	40	105
LW9225	92x92x25	LWAE9225SH-01	100-240	50/60	0.07~0.04	4.5~5.9	3500	59.9	10.28	41	103
		LWAE9225SM-02	100-240	50/60	0.05~0.03	3.2~4.5	3000	49.41	11.28	42	103
		LWAE9225SL-03	100-240	50/60	0.03~0.02	2.1~3.3	2500	39.52	12.28	43	103
LW9238	92x92x38	LWAE9238SX-01	100-240	50/60	0.08~0.05	5.9~8.8	4000	85.97	13.28	44	177
		LWAE9238SH-02	100-240	50/60	0.07~0.04	4.4~6.5	3500	82.19	14.28	45	177
		LWAE9238SM-03	100-240	50/60	0.05~0.04	3.1~5.2	3000	67.01	15.28	46	177
LW1225	120x120x25	LWAE12025SH-01	100-240	50/60	0.07~0.05	4.2~5.6	3000	85.56	17.28	48	147
		LWAE12025SM-02	100-240	50/60	0.04~0.02	2.1~3.4	2600	71.45	18.28	49	147
		LWAE12025SL-03	100-240	50/60	0.04~0.03	2.2~5.2	2200	60.93	19.28	50	147
LW1238	120x120x38	LWAE12038SH-01	100-240	50/60	0.14~0.08	8.7~11.0	3500	128.21	20.28	51	285
		LWAE12038SM-02	100-240	50/60	0.10~0.06	6.2~8.3	3000	104.65	21.28	52	285
		LWAE12038SL-03	100-240	50/60	0.07~0.05	4.2~6.2	2500	94.85	22.28	53	285
LW1238-1	120x120x38	LWAE12038SH-04	100-240	50/60	0.14~0.08	8.0~11.0	3500	143.41	23.28	54	250
		LWAE12038SM-05	100-240	50/60	0.10~0.06	6.4~8.5	3000	116.94	24.28	55	250
		LWAE12038SL-06	100-240	50/60	0.07~0.05	4.0~6.2	2500	95.85	25.28	56	250
LW1725	175x150x51	LWAE17551SH-01	100-240	50/60	0.32~0.18	20~22	3200	257.37	26.28	57	740
		LWAE17551SM-02	100-240	50/60	0.28~0.16	17~19	2800	205	27.28	58	740
		LWAE17551SL-03	100-240	50/60	0.16~0.09	10~11	2400	183.34	28.28	59	740
LW2006	200x200x60	LWAE20060SH-01	220	50/60	0.32	40	2600	474.97	29.28	60	1090
		LWAE20060SM-02	220	50/60	0.16	20	2100	380.73	30.28	61	1090
		LWAE20060SL-03	220	50/60	0.09	11	1600	303.51	31.28	62	1090
LW2072	206x206x72	LWAE20072SH-01	220	50/60	0.41	66	3250	630	32.28	63	1630
		LWAE25489SH-01	220	50/60	0.61	76	2600	890	33.28	64	2140
LW2509	254x89	LWAE25489SM-02	220	50/60	4	80	2100	718.85	34.28	65	2140
		LWAE25489SL-03	220	50/60	0.26	32	1600	547.69	35.28	66	2140

Product Drawing

EC Axial Flow Fans

安装孔尺寸(mm) Panel Out-cuts(mm)

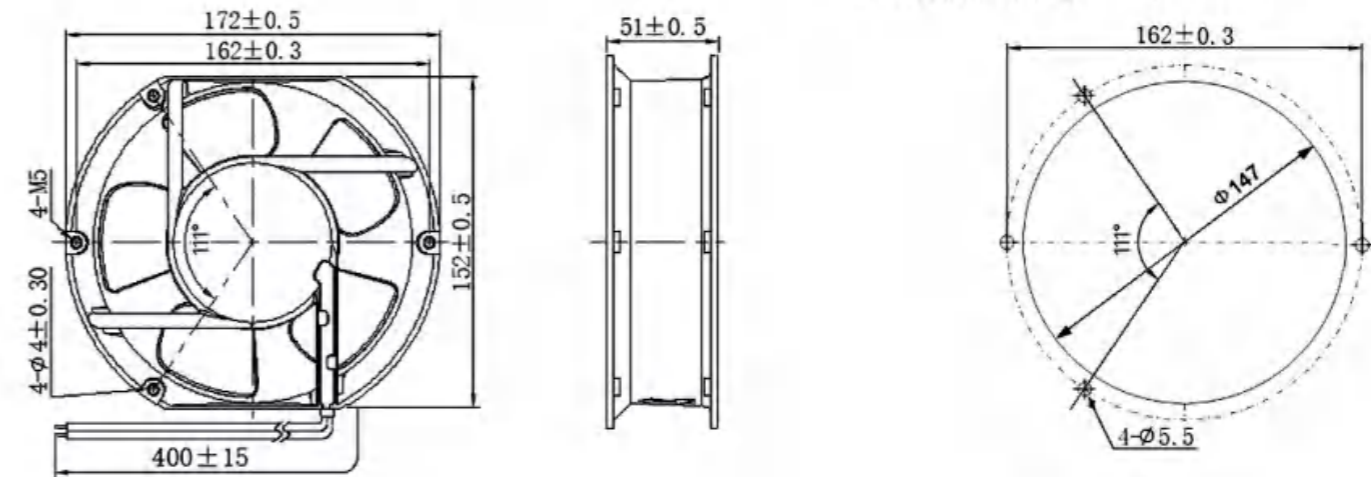


Series	A	B	C	D	E	F
LW6025	60	25	50	4.3	58	62
LW8025	80	25	71.5	4.5	77.6	90
LW8038	80	38	71.5	4.3	76.4	85
LW9225	92	25	82.5	4.3	89.2	100
LW9238	92	38	82.5	4.3	89.2	100

Series	A	B	C	D	E	F
LW1225	120	25	105	4.4	117	124.8
LW1238	120	38	105.2	4.4	117	124.8
LW2006	203	60.5	166	6.4	197.2	208
LW2072	206	72	174	4.4	201	228

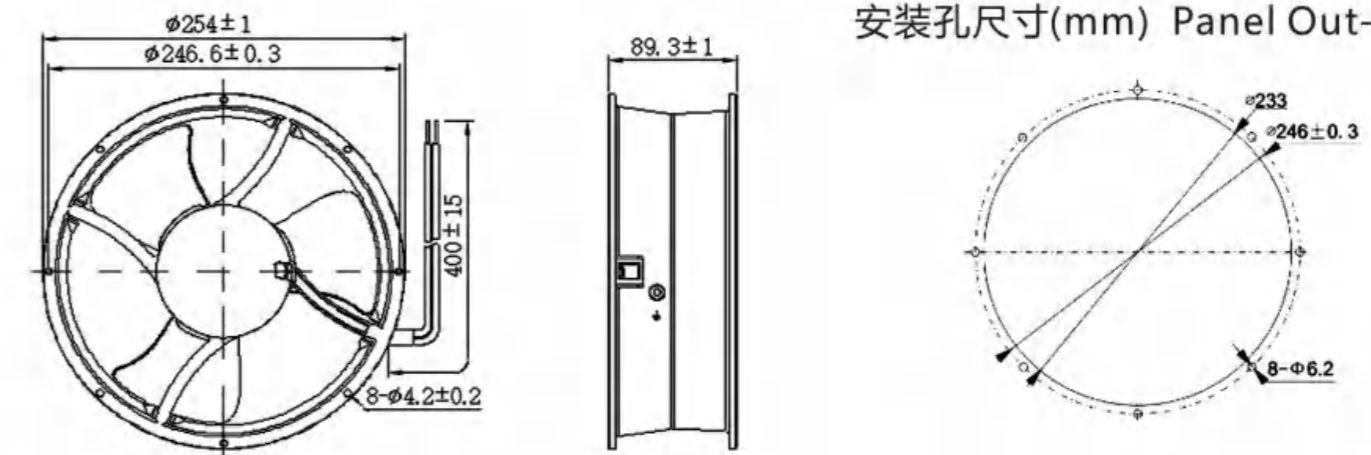
▼ LW1725

安装孔尺寸(mm) Panel Out-cuts(mm)



▼ LW2509

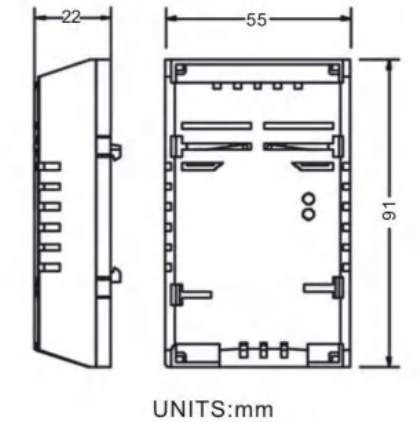
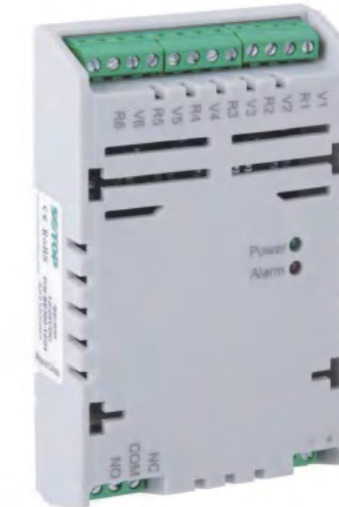
安装孔尺寸(mm) Panel Out-cuts(mm)



RD Signal Alarm Module

Product Characteristic

- Large setting range
- Change-over contacy
- High switching performance
- Easily accessible terminals
- Clip fixing

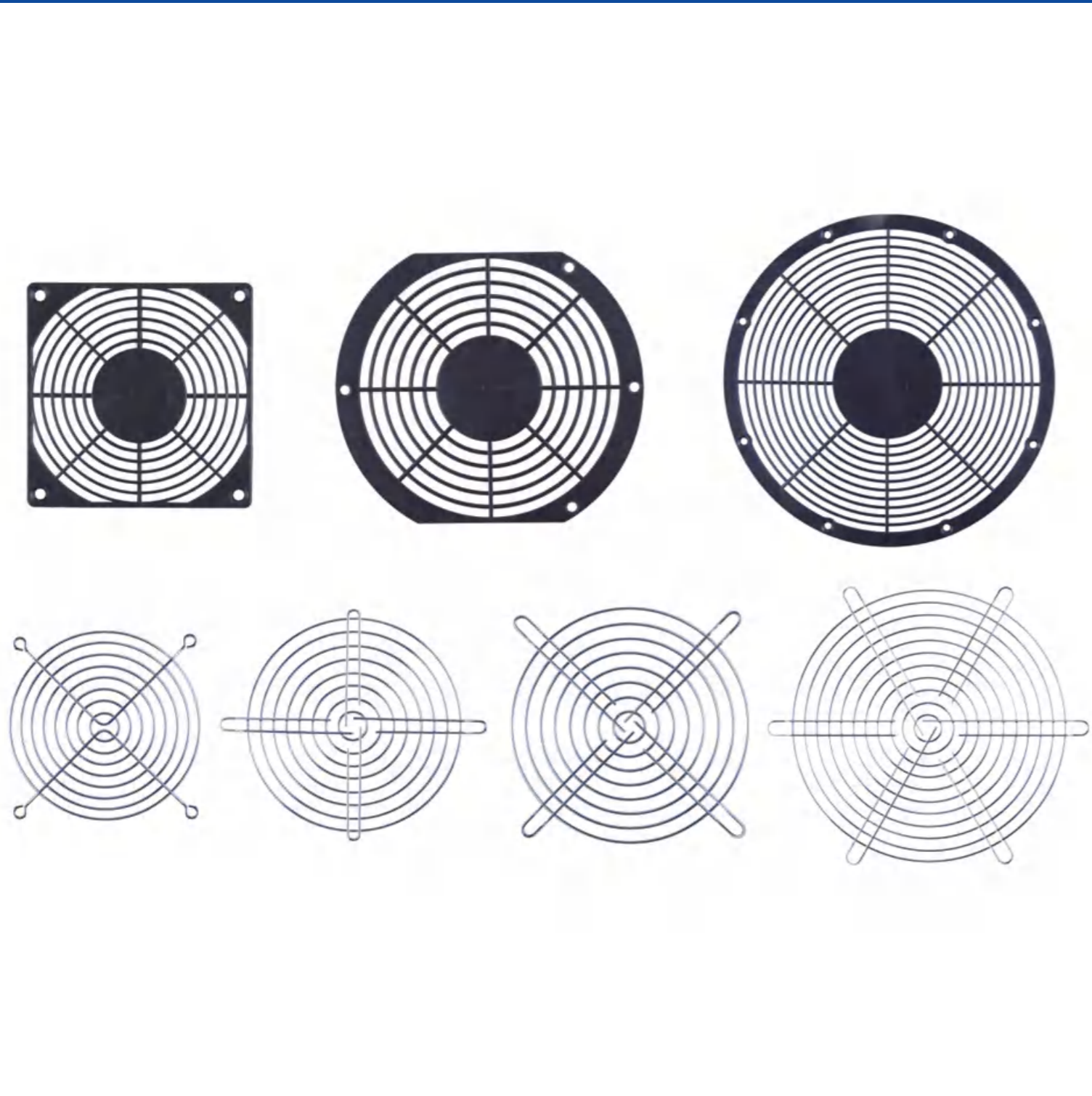


Collect Rd signals of up to 6 fans (high voltage alarm signal in case of fault) and convert this Rd signal into passive contact signal.

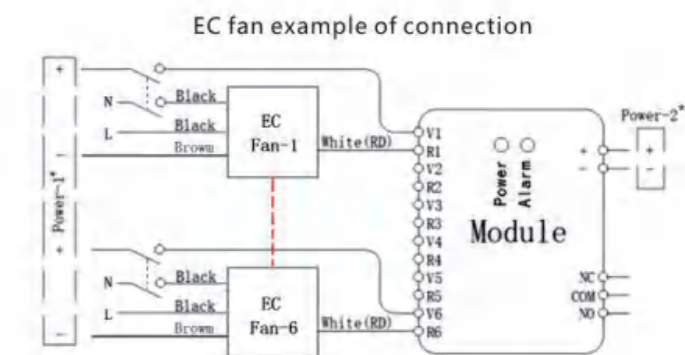
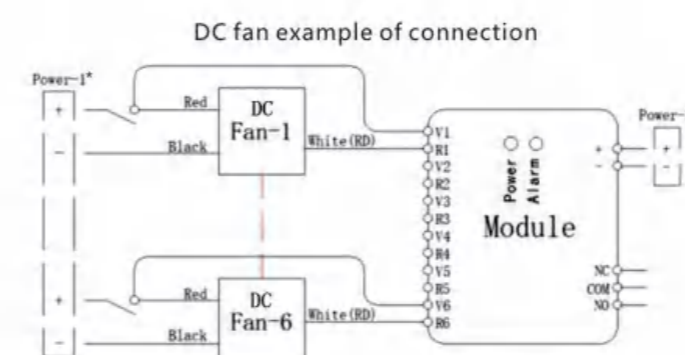
Model	Operating voltage
LW-12/24	12/24VDC(8-28VDC)
LW-48	48VDC(28-56VDC)

Technical Specifications

Structure of contact	NC+COM+NO
Max.Switching Power	62.5AV,30W
Max.Switching Voltage	250VAV,220VDC
Max.Switching Current	2A
Contact state	When the module is normally powered on and all fans are normal, the passive contact state is reversed.
Green Indicator	On-The module is powered on
Red Indicator	Flashing-fan normal,on-fan fault
Mounting	35mm DIN Guide rail buckle installation
Connection	Clip for 35mm DIN Rail,EN 60715 1.5mm ² ,Max.0.3N.m
Protection Type	IP20
Shell	ABS(RAL7035,UL94-V0)
Weight	Approx.60g
Polarity Protection	Open circuit when power are exchanged
Life Expectancy	100000hrs at 40 °C
Operating/Storage Temperature	-20~70 C /-40~70 C
Operating/Storage Humidity	Max.90%RH(non-condensing)

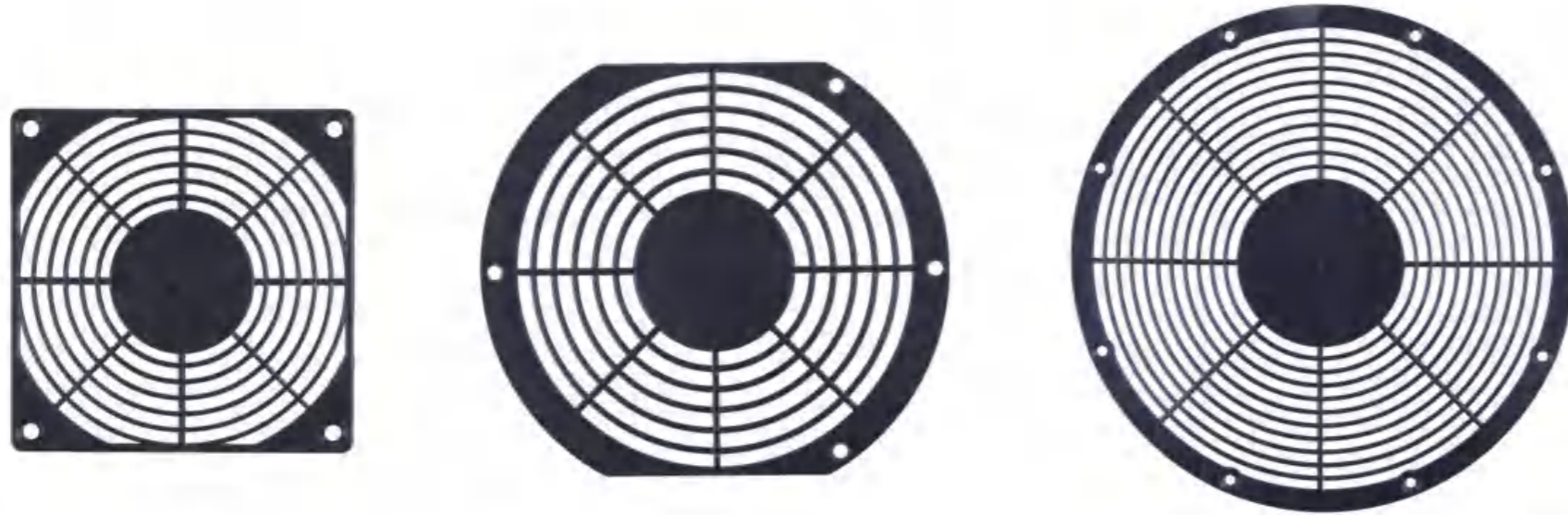


Accessories



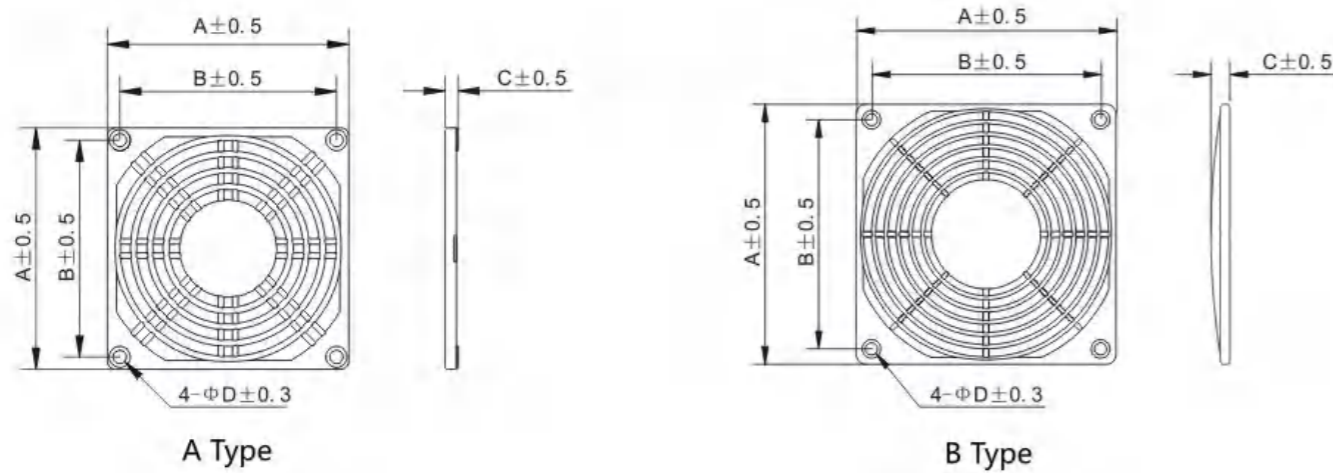
Power-1 and power-2 shall be the same power supply. In case of different power supplies, they shall be grounded together.

Plastic finger guard

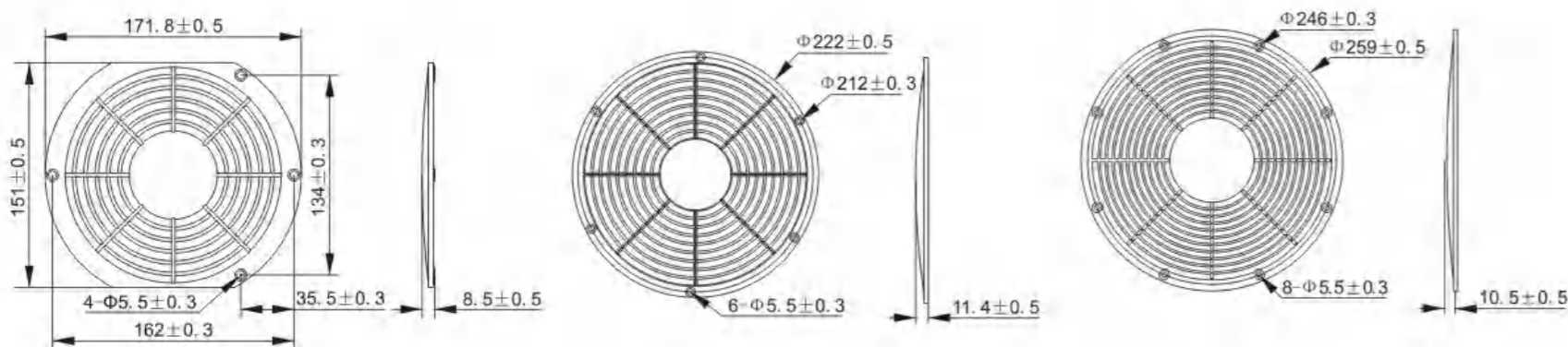


Product Characteristic

- Material: ABS
- IP Standard: IP20
- Color: Black, customized other



	Model	A	B	C	D
A Type	LW808B	80	71.5	5	5.0
	LW809B	92	82.5	5	5.0
B Type	LW812B	119	104.8	8.6	5.5
	LW818B	180	153	10.3	5.5
	LW820B	207.5	174	10.5	6.0

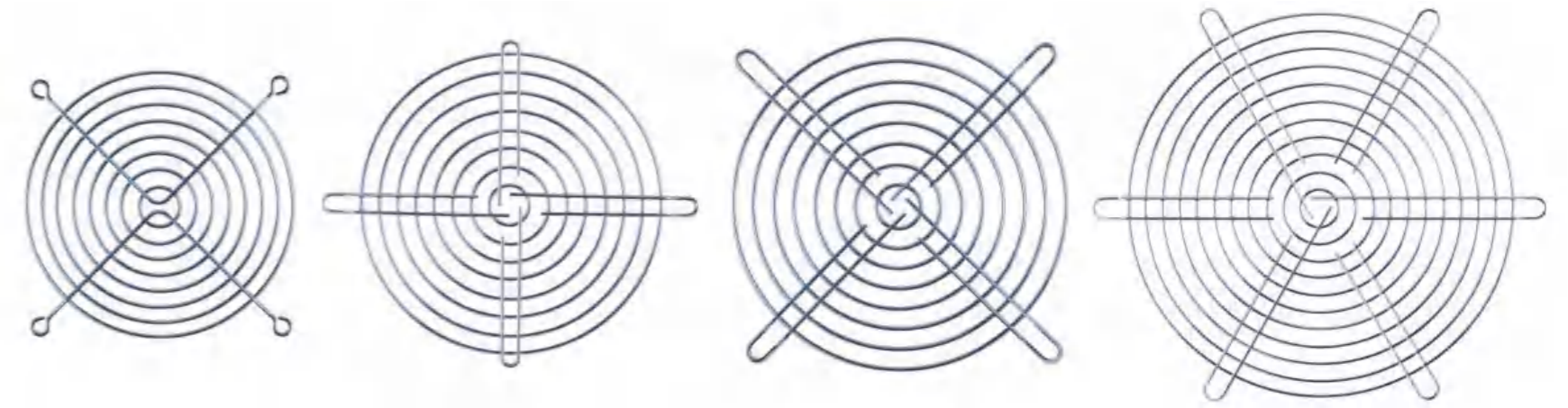


Model : LW817B
Suitable for fan : LW1725/17255

Model : LW822B
Suitable for fan : LW2206/2208

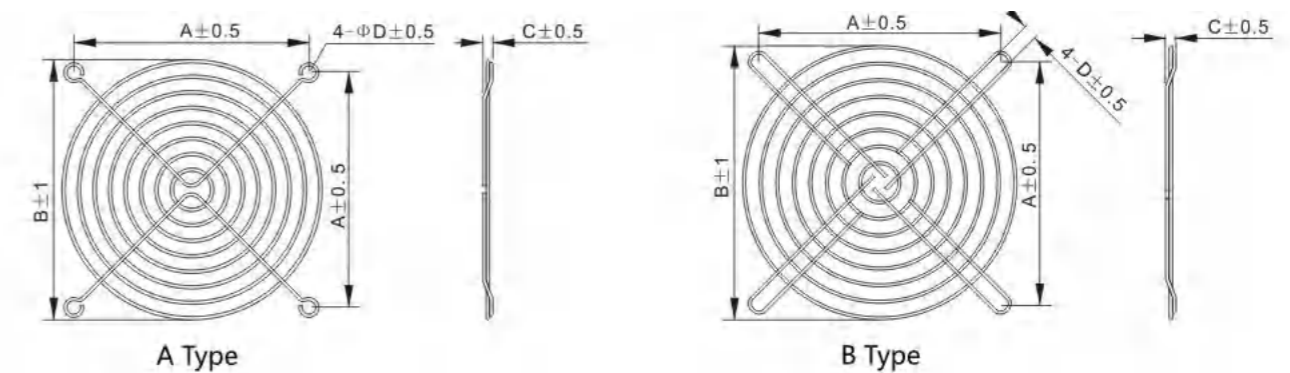
Model : LW825B
Suitable for fan : LW2509

Metal finger guard

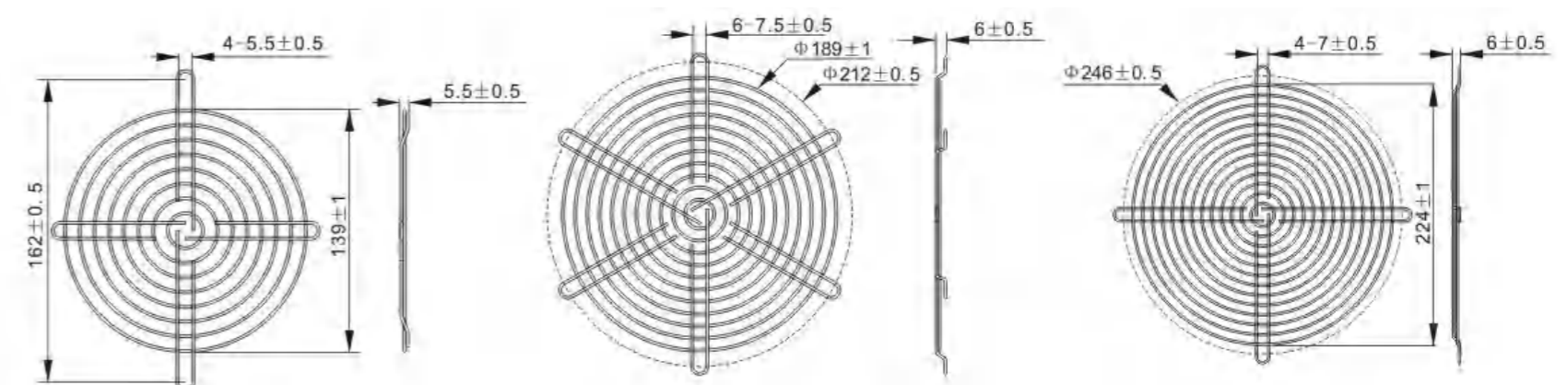


Product Characteristic

- Material: Chromium plating metal
- IP Standard: IP20



	Model	A	B	C	D
A Type	LW25	20	19.5	3	3.5
	LW30	24	21.5	4	3.5
	LW40	32	41	4	4.5
	LW50	40	41	5	4.5
	LW60	50	53.5	5	5
	LW70	61	66.5	5	5
	LW80	71.5	74.5	5	5
	LW92	82.5	88.5	5	5
B Type	LW120	105	115	5	5
	LW150	122	139	5.5	5.5
	LW160	138	155	5.5	7.5
	LW180	153	174	5.5	7.5
	LW200	174	207	6	7
	LW280	209	260	6	6.5



Model : LW172
Suitable for fan : LW17023/1725/17255

Model : LW220
Suitable for fan : LW2206/2208

Model : LW250
Suitable for fan : LW2509