

LWFD4010 Series

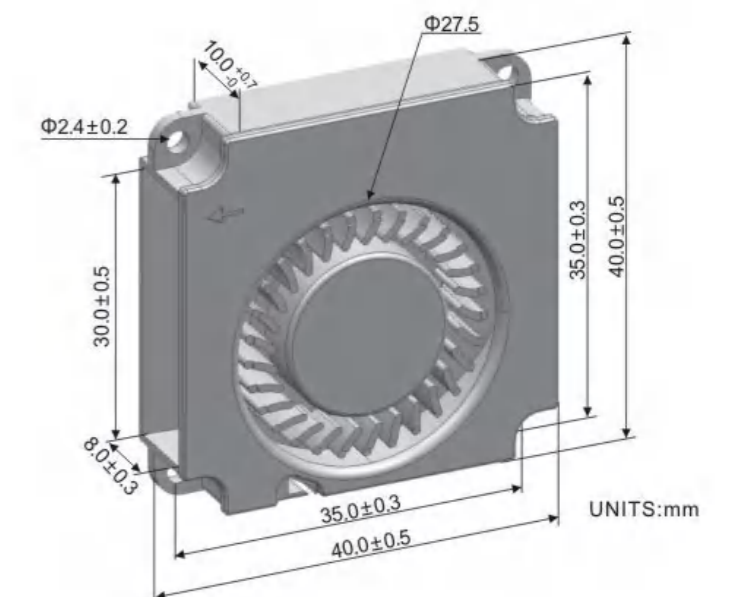
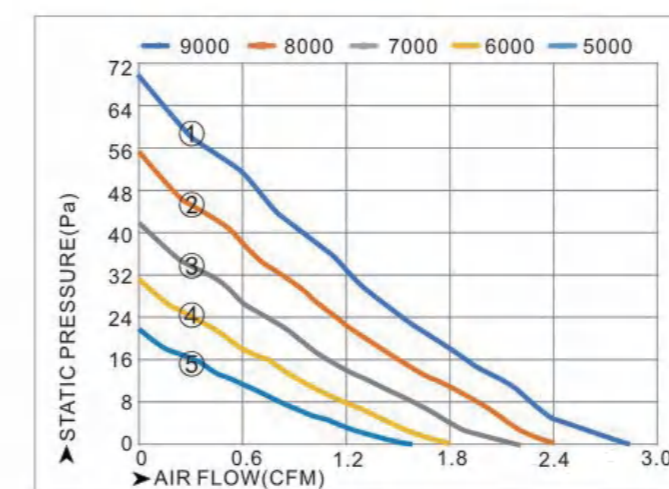
Product Characteristic

Material: Frame: Plastic(UL94-VO) Impeller: Plastic(UL94-VO)
Voltage: 5VDC(4.0~5.5VDC), 12VDC(6~13.8VDC), 24VDC(12~27.6VDC)
Temperature: Operation Temperature: -10~70°C(Non-condensing)
Specials: AS, RD, FG, PWM, Temperature Control, IP56



Technical Specifications

Model	Voltage	Current	Speed	Air Volume		Static Pressure			Noise	Weight	Curve
	V	A	RPM	CFM	m³/min	mm-H2O	Inch-H2O	Pa	dBA	g	
LWFD4010KX-01	5	0.4	9000	2.7	0.08	7.5	0.29	73	33.9	13g	①
LWFD4010KH-02	5	0.35	8000	2.4	0.07	5.9	0.23	58	31.3	13g	②
LWFD4010KM-03	5	0.3	7000	2.1	0.06	4.5	0.18	44	28.4	13g	③
LWFD4010KL-04	5	0.25	6000	1.8	0.05	3.3	0.13	33	25.1	13g	④
LWFD4010KD-05	5	0.2	5000	1.5	0.04	2.3	0.09	23	21.1	13g	⑤
LWFD4010LX-01	12	0.16	9000	2.7	0.08	7.5	0.29	73	35.2	13g	①
LWFD4010LH-02	12	0.14	8000	2.4	0.07	5.9	0.23	58	32.6	13g	②
LWFD4010LM-03	12	0.12	7000	2.1	0.06	4.5	0.18	44	29.7	13g	③
LWFD4010LL-04	12	0.1	6000	1.8	0.05	3.3	0.13	33	26.4	13g	④
LWFD4010LD-05	12	0.08	5000	1.5	0.04	2.3	0.09	23	22.4	13g	⑤
LWFD4010MX-01	24	0.1	9000	2.7	0.08	7.5	0.29	73	35.2	13g	①
LWFD4010MH-02	24	0.08	8000	2.4	0.07	5.9	0.23	58	32.6	13g	②
LWFD4010MM-03	24	0.06	7000	2.1	0.06	4.5	0.18	44	29.7	13g	③
LWFD4010ML-04	24	0.05	6000	1.8	0.05	3.3	0.13	33	26.4	13g	④
LWFD4010MD-05	24	0.04	5000	1.5	0.04	2.3	0.09	23	22.4	13g	⑤



DC Blower

LWFD5010 Series

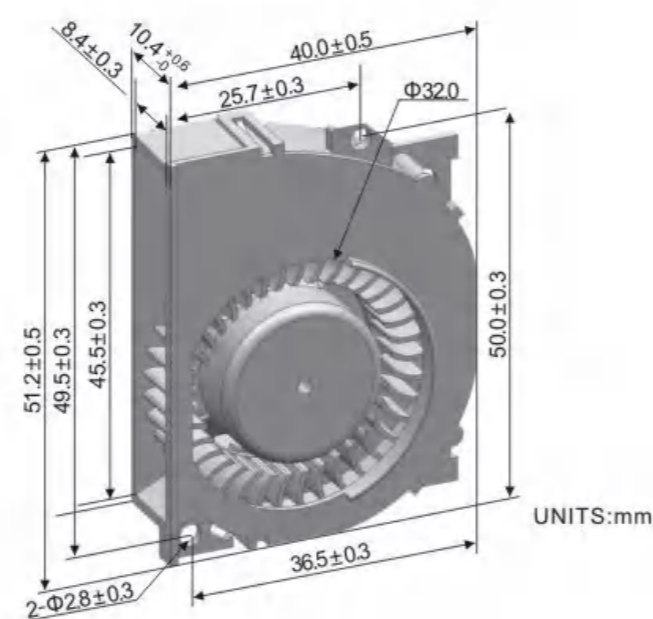
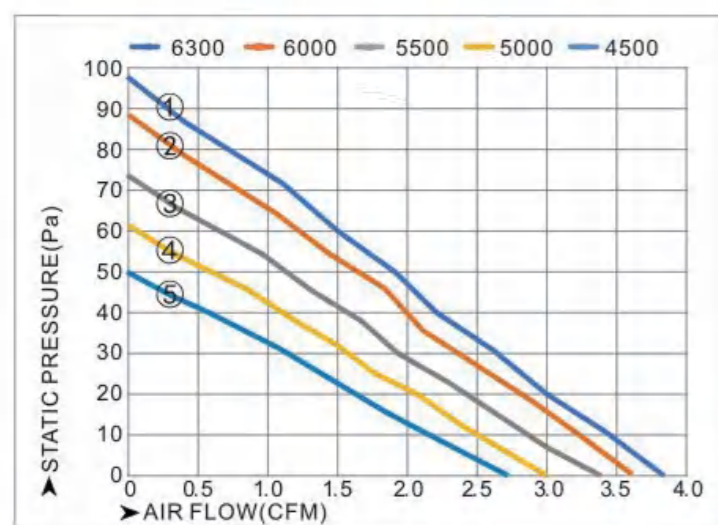
Product Characteristic

- Material: Frame: Plastic(UL94-VO) Impeller: Plastic(UL94-VO)
- Voltage: 5VDC(4.0~5.5VDC), 12VDC(6~13.8VDC), 24VDC(12~27.6VDC)
- Temperature: Operation Temperature: -10~70°C(Non-condensing)
- Specials: AS, RD, FG, PWM, Temperature Control, IP56



Technical Specifications

Model	Voltage	Current	Speed	Air Volume		Static Pressure			Noise	Weight	Curve
	V	A	RPM	CFM	m³/min	mm-H2O	Inch-H2O	Pa	dBA	g	
LWFD5010KX-01	5	0.4	6300	3.8	0.11	10.5	0.41	103	35.2	17g	①
LWFD5010KH-02	5	0.35	6000	3.6	0.1	9.5	0.37	93	34.1	17g	②
LWFD5010KM-03	5	0.3	5500	3.3	0.09	8	0.31	78	32.3	17g	③
LWFD5010KL-04	5	0.25	5000	3	0.09	6.6	0.26	65	30.2	17g	④
LWFD5010KD-05	5	0.2	4500	2.7	0.08	5.3	0.21	52	27.9	17g	⑤
LWFD5010LX-01	12	0.2	6300	3.8	0.11	10.5	0.41	103	35.2	17g	①
LWFD5010LH-02	12	0.16	6000	3.6	0.1	9.5	0.37	93	34.1	17g	②
LWFD5010LM-03	12	0.12	5500	3.3	0.09	8	0.31	78	32.3	17g	③
LWFD5010LL-04	12	0.1	5000	3	0.09	6.6	0.26	65	30.2	17g	④
LWFD5010LD-05	12	0.08	4500	2.7	0.08	5.3	0.21	52	27.9	17g	⑤
LWFD5010MX-01	24	0.12	6300	3.8	0.11	10.5	0.41	103	35.2	17g	①
LWFD5010MH-02	24	0.1	6000	3.6	0.1	9.5	0.37	93	34.1	17g	②
LWFD5010MM-03	24	0.08	5500	3.3	0.09	8	0.31	78	32.3	17g	③
LWFD5010ML-04	24	0.06	5000	3	0.09	6.6	0.26	65	30.2	17g	④
LWFD5010MD-05	24	0.04	4500	2.7	0.08	5.3	0.21	52	27.9	17g	⑤



LWFD5015 Series

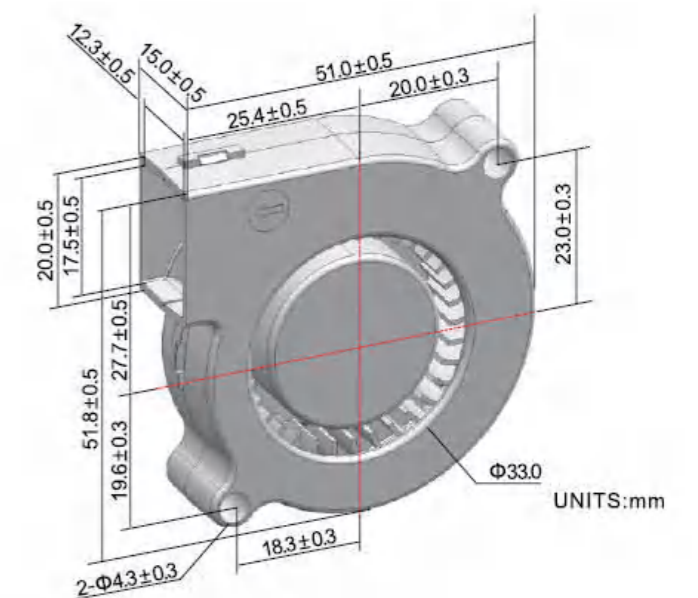
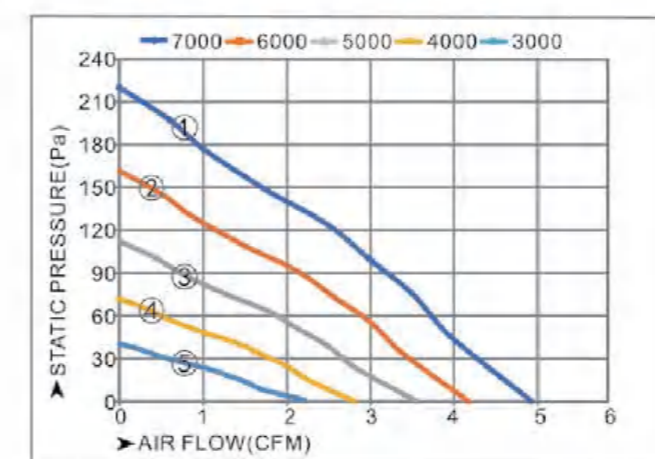
Product Characteristic

- Material: Frame: Plastic(UL94-VO) Impeller: Plastic(UL94-VO)
- Voltage: 5VDC(4.0~5.5VDC), 12VDC(6~13.8VDC), 24VDC(12~27.6VDC)
- Temperature: Operation Temperature: -10~70°C(Non-condensing)
- Specials: AS, RD, FG, PWM, Temperature Control, IP56



Technical Specifications

Model	Voltage	Current	Speed	Air Volume		Static Pressure			Noise	Weight	Curve
	V	A	RPM	CFM	m³/min	mm-H2O	Inch-H2O	Pa	dBA	g	
LWFD5015KX-01	5	0.6	7000	4.9	0.14	23.6	0.93	231	47.1	29g	①
LWFD5015KH-02	5	0.5	6000	4.2	0.12	17.3	0.68	170	43.8	29g	②
LWFD5015KM-03	5	0.4	5000	3.5	0.1	12	0.47	118	39.8	29g	③
LWFD5015KL-04	5	0.35	4000	2.8	0.08	7.7	0.3	75	34.9	29g	④
LWFD5015KD-05	5	0.26	3000	2.1	0.06	4.3	0.17	42	28.7	29g	⑤
LWFD5015LX-01	12	0.26	7000	4.9	0.14	23.6	0.93	231	47.1	29g	①
LWFD5015LH-02	12	0.24	6000	4.2	0.12	17.3	0.68	170	43.8	29g	②
LWFD5015LM-03	12	0.2	5000	3.5	0.1	12	0.47	118	39.8	29g	③
LWFD5015LL-04	12	0.16	4000	2.8	0.08	7.7	0.3	75	34.9	29g	④
LWFD5015LD-05	12	0.12	3000	2.1	0.06	4.3	0.17	42	28.7	29g	⑤
LWFD5015MX-01	24	0.18	7000	4.9	0.14	23.6	0.93	231	47.1	29g	①
LWFD5015MH-02	24	0.16	6000	4.2	0.12	17.3	0.68	170	43.8	29g	②
LWFD5015MM-03	24	0.14	5000	3.5	0.1	12	0.47	118	39.8	29g	③
LWFD5015ML-04	24	0.12	4000	2.8	0.08	7.7	0.3	75	34.9	29g	④
LWFD5015MD-05	24	0.1	3000	2.1	0.06	4.3	0.17	42	28.7	29g	⑤



LWFD5020 Series

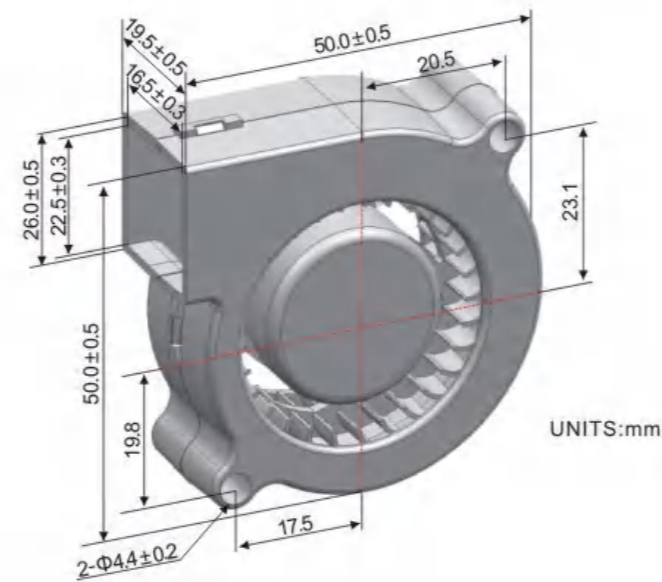
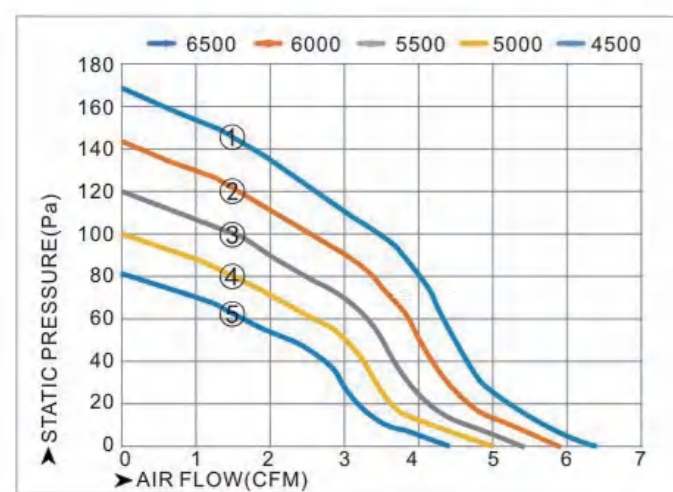
Product Characteristic

- Material: Frame: Plastic(UL94-VO) Impeller: Plastic(UL94-VO)
- Voltage: 5VDC(4.0~5.5VDC), 12VDC(6~13.8VDC), 24VDC(12~27.6VDC)
- Temperature: Operation Temperature: -10~70°C(Non-condensing)
- Specials: AS, RD, FG, PWM, Temperature Control, IP56



Technical Specifications

Model	Voltage	Current	Speed	Air Volume		Static Pressure			Noise	Weight	Curve
	V	A	RPM	CFM	m³/min	mm-H2O	Inch-H2O	Pa	dBA	g	
LWFD5020KX-01	5	0.6	6500	6.1	0.17	18.2	0.72	179	39.2	34g	①
LWFD5020KH-02	5	0.5	6000	5.6	0.16	15.5	0.61	152	37.5	34g	②
LWFD5020KM-03	5	0.4	5500	5.2	0.15	13.1	0.51	128	35.6	34g	③
LWFD5020KL-04	5	0.35	5000	4.7	0.13	10.8	0.43	106	33.5	34g	④
LWFD5020KD-05	5	0.26	4500	4.2	0.12	8.7	0.34	86	31.2	34g	⑤
LWFD5020LX-01	12	0.28	6500	6.1	0.17	18.2	0.72	179	39.2	34g	①
LWFD5020LH-02	12	0.24	6000	5.6	0.16	15.5	0.61	152	37.5	34g	②
LWFD5020LM-03	12	0.2	5500	5.2	0.15	13.1	0.51	128	35.6	34g	③
LWFD5020LL-04	12	0.16	5000	4.7	0.13	10.8	0.43	106	33.5	34g	④
LWFD5020LD-05	12	0.12	4500	4.2	0.12	8.7	0.34	86	31.2	34g	⑤
LWFD5020MX-01	24	0.18	6500	6.1	0.17	18.2	0.72	179	39.2	34g	①
LWFD5020MH-02	24	0.16	6000	5.6	0.16	15.5	0.61	152	37.5	34g	②
LWFD5020MM-03	24	0.14	5500	5.2	0.15	13.1	0.51	128	35.6	34g	③
LWFD5020ML-04	24	0.12	5000	4.7	0.13	10.8	0.43	106	33.5	34g	④
LWFD5020MD-05	24	0.1	4500	4.2	0.12	8.7	0.34	86	31.2	34g	⑤



LWFD5025 Series

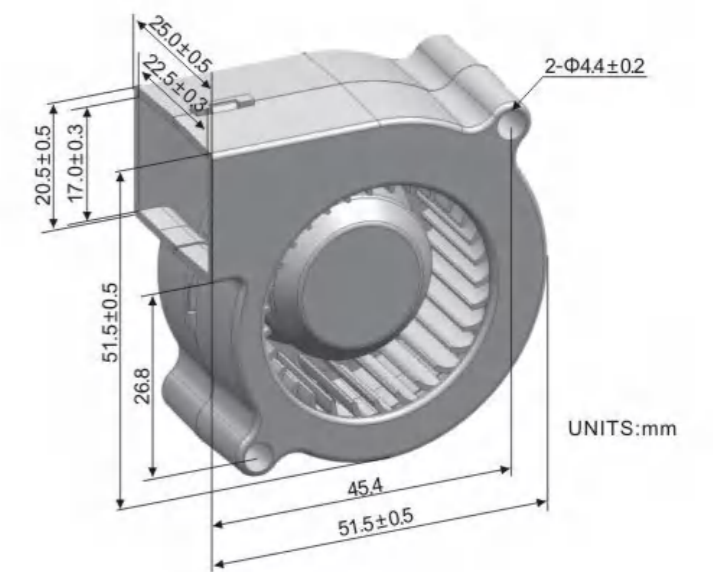
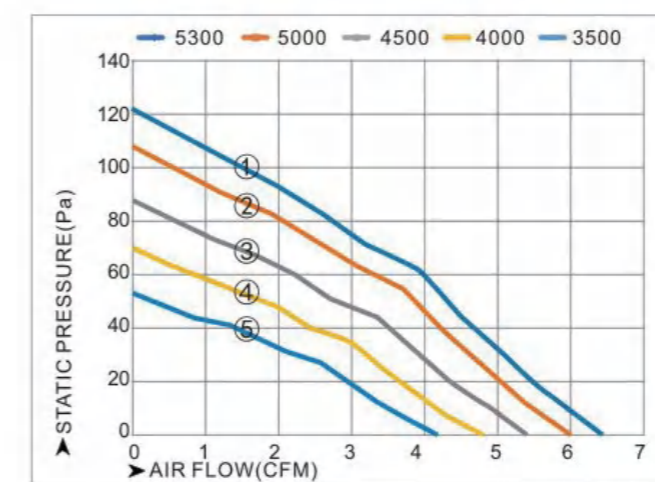
Product Characteristic

- Material: Frame: Plastic(UL94-VO) Impeller: Plastic(UL94-VO)
- Voltage: 5VDC(4.0~5.5VDC), 12VDC(6~13.8VDC), 24VDC(12~27.6VDC)
- Temperature: Operation Temperature: -10~70°C(Non-condensing)
- Specials: AS, RD, FG, PWM, Temperature Control, IP56



Technical Specifications

Model	Voltage	Current	Speed	Air Volume		Static Pressure			Noise	Weight	Curve
	V	A	RPM	CFM	m³/min	mm-H2O	Inch-H2O	Pa	dBA	g	
LWFD5025KX-01	5	0.5	5300	6.4	0.18	13.1	0.52	128	37	34g	④
LWFD5025KH-02	5	0.4	5000	6	0.17	11.7	0.46	114	35.7	34g	②
LWFD5025KM-03	5	0.3	4500	5.4	0.15	9.4	0.37	93	33.4	34g	③
LWFD5025KL-04	5	0.25	4000	4.8	0.14	7.5	0.29	73	30.9	34g	④
LWFD5025KD-05	5	0.2	3500	4.2	0.12	5.7	0.22	56	28	34g	⑤
LWFD5025LX-01	12	0.25	5300	6.4	0.18	13.1	0.52	128	37	34g	①
LWFD5025LH-02	12	0.2	5000	6	0.17	11.7	0.46	114	35.7	34g	②
LWFD5025LM-03	12	0.15	4500	5.4	0.15	9.4	0.37	93	33.4	34g	③
LWFD5025LL-04	12	0.12	4000	4.8	0.14	7.5	0.29	73	30.9	34g	④
LWFD5025LD-05	12	0.1	3500	4.2	0.12	5.7	0.22	56	28	34g	⑤
LWFD5025MX-01	24	0.18	5300	6.4	0.18	13.1	0.52	128	37	34g	①
LWFD5025MH-02	24	0.12	5000	6	0.17	11.7	0.46	114	35.7	34g	②
LWFD5025MM-03	24	0.1	4500	5.4	0.15	9.4	0.37	93	33.4	34g	③
LWFD5025ML-04	24	0.08	4000	4.8	0.14	7.5	0.29	73	30.9	34g	④
LWFD5025MD-05	24	0.06	3500	4.2	0.12	5.7	0.22	56	28	34g	⑤



LWFD6015 Series

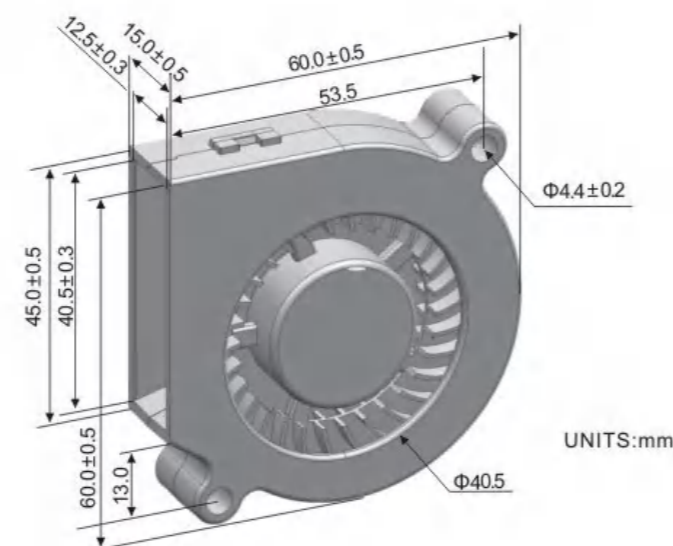
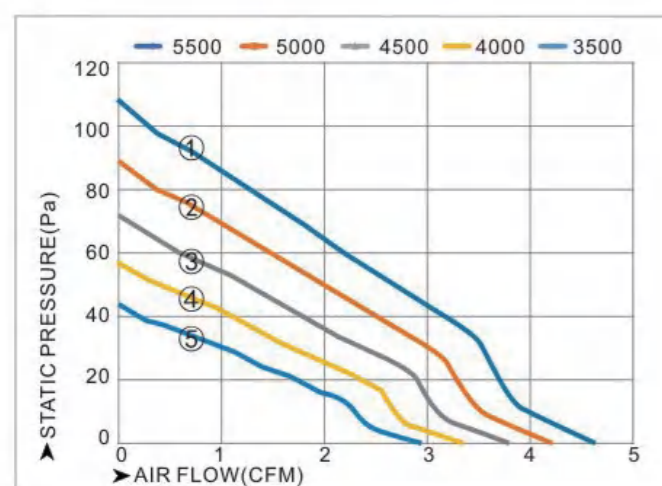
Product Characteristic

- Material: Frame: Plastic(UL94-VO) Impeller: Plastic(UL94-VO)
- Voltage: 5VDC(4.0~5.5VDC), 12VDC(6~13.8VDC), 24VDC(12~27.6VDC)
- Temperature: Operation Temperature: -10~70°C(Non-condensing)
- Specials: AS, RD, FG, PWM, Temperature Control, IP56



Technical Specifications

Model	Voltage	Current	Speed	Air Volume		Static Pressure			Noise	Weight	Curve
	V	A	RPM	CFM	m³/min	mm-H2O	Inch- H2O	Pa	dBA	g	
LWFD6015KX-01	5	0.6	5500	4.4	0.12	11.1	0.44	109	43.6	32g	①
LWFD6015KH-02	5	0.5	5000	4	0.11	9.2	0.36	90	41.5	32g	②
LWFD6015KM-03	5	0.4	4500	3.6	0.1	7.5	0.29	73	39.2	32g	③
LWFD6015KL-04	5	0.35	4000	3.2	0.09	5.9	0.23	58	36.7	32g	④
LWFD6015KD-05	5	0.26	3500	2.8	0.08	4.5	0.18	44	33.8	32g	⑤
LWFD6015LX-01	12	0.28	5500	4.4	0.12	11.1	0.44	109	43.6	32g	①
LWFD6015LH-02	12	0.24	5000	4	0.11	9.2	0.36	90	41.5	32g	②
LWFD6015LM-03	12	0.2	4500	3.6	0.1	7.5	0.29	73	39.2	32g	③
LWFD6015LL-04	12	0.16	4000	3.2	0.09	5.9	0.23	58	36.7	32g	④
LWFD6015LD-05	12	0.12	3500	2.8	0.08	4.5	0.18	44	33.8	32g	⑤
LWFD6015MX-01	24	0.18	5500	4.4	0.12	11.1	0.44	109	43.6	32g	①
LWFD6015MH-02	24	0.16	5000	4	0.11	9.2	0.36	90	41.5	32g	②
LWFD6015MM-03	24	0.14	4500	3.6	0.1	7.5	0.29	73	39.2	32g	③
LWFD6015ML-04	24	0.12	4000	3.2	0.09	5.9	0.23	58	36.7	32g	④
LWFD6015MD-05	24	0.1	3500	2.8	0.08	4.5	0.18	44	33.8	32g	⑤



LWFD6025 Series

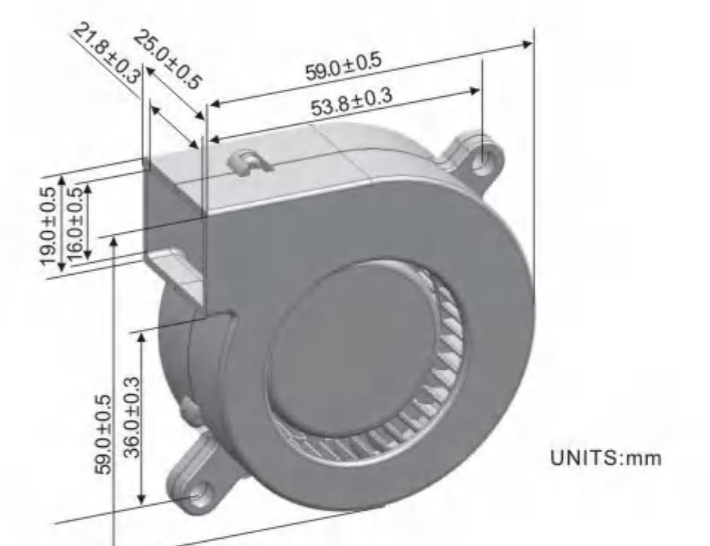
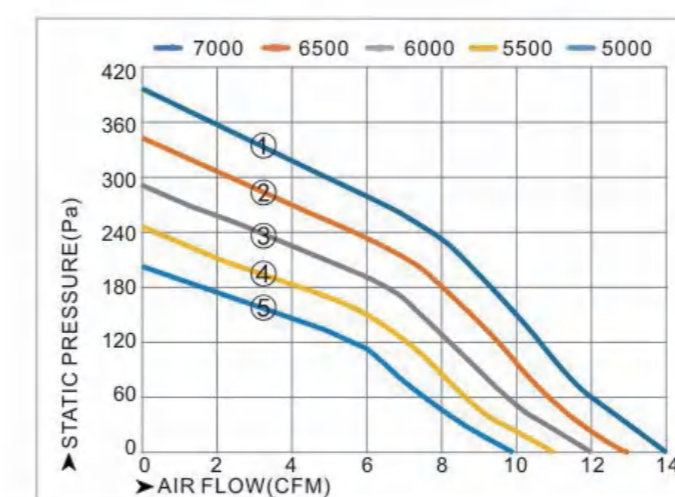
Product Characteristic

- Material: Frame: Plastic(UL94-VO) Impeller: Plastic(UL94-VO)
- Voltage: 12VDC(6~13.8VDC), 24VDC(12~27.6VDC), 48VDC(24~56VDC)
- Temperature: Operation Temperature: -10~70°C(Non-condensing)
- Specials: AS, RD, FG, PWM, Temperature Control, IP56



Technical Specifications

Model	Voltage	Current	Speed	Air Volume		Static Pressure			Noise	Weight	Curve
	V	A	RPM	CFM	m³/min	mm-H2O	Inch- H2O	Pa	dBA	g	
LWFD6025LX-01	12	0.7	7000	14	0.4	42.5	1.67	417	51.2	56g	①
LWFD6025LH-02	12	0.6	6500	13	0.37	36.7	1.44	359	49.6	56g	②
LWFD6025LM-03	12	0.5	6000	12	0.34	31.3	1.23	306	47.9	56g	③
LWFD6025LL-04	12	0.4	5500	11	0.31	26.3	1.03	257	46	56g	④
LWFD6025LD-05	12	0.3	5000	10	0.28	21.7	0.85	213	43.9	56g	⑤
LWFD6025MX-01	24	0.4	7000	14	0.4	42.5	1.67	417	51.2	56g	①
LWFD6025MH-02	24	0.35	6500	13	0.37	36.7	1.44	359	49.6	56g	②
LWFD6025MM-03	24	0.3	6000	12	0.34	31.3	1.23	306	47.9	56g	③
LWFD6025ML-04	24	0.25	5500	11	0.31	26.3	1.03	257	46	56g	④
LWFD6025MD-05	24	0.2	5000	10	0.28	21.7	0.85	213	43.9	56g	⑤
LWFD6025HX-01	48	0.3	7000	14	0.4	42.5	1.67	417	51.2	56g	①
LWFD6025HH-02	48	0.25	6500	13	0.37	36.7	1.44	359	49.6	56g	②
LWFD6025HM-03	48	0.2	6000	12	0.34	31.3	1.23	306	47.9	56g	③
LWFD6025HL-04	48	0.15	5500	11	0.31	26.3	1.03	257	46	56g	④
LWFD6025HD-05	48	0.1	5000	10	0.28	21.7	0.85	213	43.9	56g	⑤



LWFD7515 Series

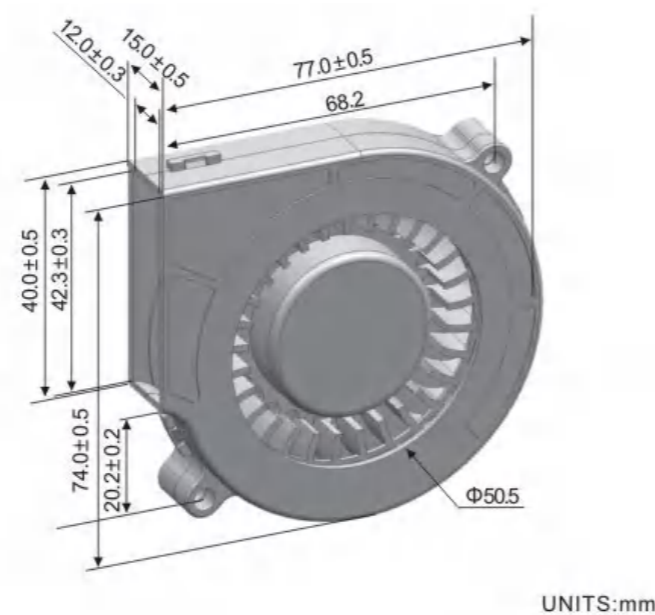
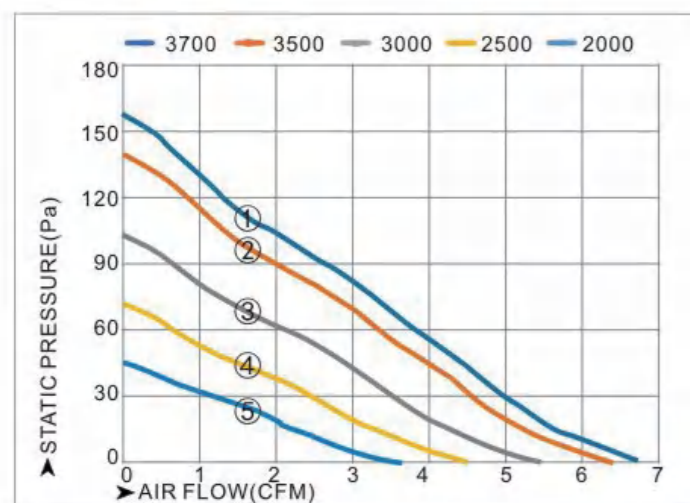
Product Characteristic

- Material: Frame: Plastic(UL94-VO) Impeller: Plastic(UL94-VO)
- Voltage: 5VDC(4.0~5.5VDC), 12VDC(6~13.8VDC), 24VDC(12~27.6VDC)
- Temperature: Operation Temperature: -10~70°C(Non-condensing)
- Specials: AS, RD, FG, PWM, Temperature Control, IP56



Technical Specifications

Model	Voltage	Current	Speed	Air Volume		Static Pressure			Noise	Weight	Curve
	V	A	RPM	CFM	m³/min	mm-H2O	Inch-H2O	Pa	dBA	g	
LWFD7515KX-01	5	0.6	3700	6.7	0.19	16.9	0.66	165	41.9	47g	①
LWFD7515KH-02	5	0.5	3500	6.4	0.18	15.1	0.59	148	40.7	47g	②
LWFD7515KM-03	5	0.45	3000	5.4	0.15	11.1	0.44	109	37.3	47g	③
LWFD7515KL-04	5	0.4	2500	4.5	0.13	7.7	0.3	75	33.4	47g	④
LWFD7515KD-05	5	0.3	2000	3.6	0.1	4.9	0.19	48	28.5	47g	⑤
LWFD7515LX-01	12	0.3	3700	6.7	0.19	16.9	0.66	165	41.9	47g	①
LWFD7515LH-02	12	0.26	3500	6.4	0.18	15.1	0.59	148	40.7	47g	②
LWFD7515LM-03	12	0.22	3000	5.4	0.15	11.1	0.44	109	37.3	47g	③
LWFD7515LL-04	12	0.2	2500	4.5	0.13	7.7	0.3	75	33.4	47g	④
LWFD7515LD-05	12	0.15	2000	3.6	0.1	4.9	0.19	48	28.5	47g	⑤
LWFD7515MX-01	24	0.2	3700	6.7	0.19	16.9	0.66	165	41.9	47g	①
LWFD7515MH-02	24	0.16	3500	6.4	0.18	15.1	0.59	148	40.7	47g	②
LWFD7515MM-03	24	0.14	3000	5.4	0.15	11.1	0.44	109	37.3	47g	③
LWFD7515ML-04	24	0.12	2500	4.5	0.13	7.7	0.3	75	33.4	47g	④
LWFD7515MD-05	24	0.1	2000	3.6	0.1	4.9	0.19	48	28.5	47g	⑤



UNITS:mm

LWFD7525 Series

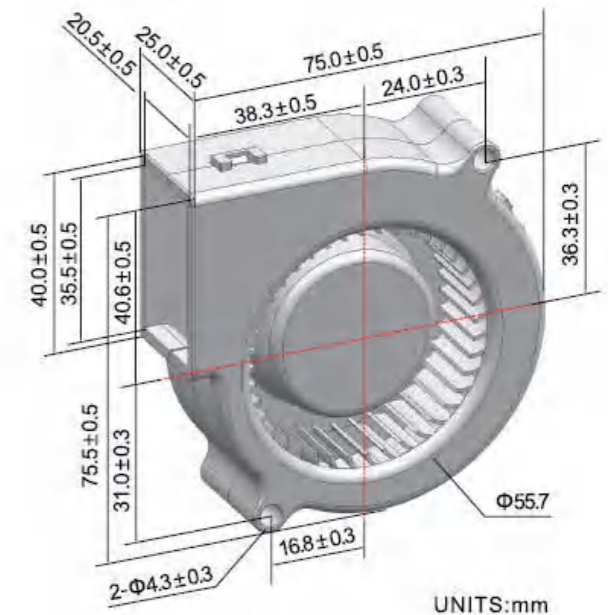
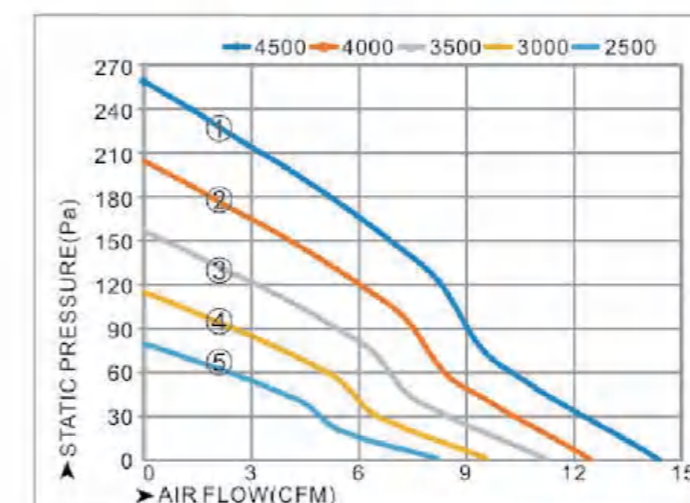
Product Characteristic

- Material: Frame: Plastic(UL94-VO) Impeller: Plastic(UL94-VO)
- Voltage: 12VDC(6~13.8VDC), 24VDC(12~27.6VDC), 48VDC(24~56VDC)
- Temperature: Operation Temperature: -10~70°C(Non-condensing)
- Specials: AS, RD, FG, PWM, Temperature Control, IP56



Technical Specifications

Model	Voltage	Current	Speed	Air Volume		Static Pressure			Noise	Weight	Curve
	V	A	RPM	CFM	m³/min	mm-H2O	Inch-H2O	Pa	dBA	g	
LWFD7525LX-01	12	0.7	4500	14.2	0.4	27.7	1.09	272	50.7	67g	①
LWFD7525LH-02	12	0.6	4000	12.6	0.36	21.9	0.86	215	48.1	67g	②
LWFD7525LM-03	12	0.5	3500	11	0.31	16.8	0.66	164	45.2	67g	③
LWFD7525LL-04	12	0.4	3000	9.5	0.27	12.3	0.49	121	41.9	67g	④
LWFD7525LD-05	12	0.3	2500	7.9	0.22	8.6	0.34	84	37.9	67g	⑤
LWFD7525MX-01	24	0.4	4500	14.2	0.4	27.7	1.09	272	50.7	67g	①
LWFD7525MH-02	24	0.35	4000	12.6	0.36	21.9	0.86	215	48.1	67g	②
LWFD7525MM-03	24	0.3	3500	11	0.31	16.8	0.66	164	45.2	67g	③
LWFD7525ML-04	24	0.25	3000	9.5	0.27	12.3	0.49	121	41.9	67g	④
LWFD7525MD-05	24	0.2	2500	7.9	0.22	8.6	0.34	84	37.9	67g	⑤
LWFD7525HX-01	48	0.3	4500	14.2	0.4	27.7	1.09	272	50.7	67g	①
LWFD7525HH-02	48	0.25	4000	12.6	0.36	21.9	0.86	215	48.1	67g	②
LWFD7525HM-03	48	0.2	3500	11	0.31	16.8	0.66	164	45.2	67g	③
LWFD7525HL-04	48	0.15	3000	9.5	0.27	12.3	0.49	121	41.9	67g	④
LWFD7525HD-05	48	0.1	2500	7.9	0.22	8.6	0.34	84	37.9	67g	⑤



UNITS:mm

LWFD7530 Series

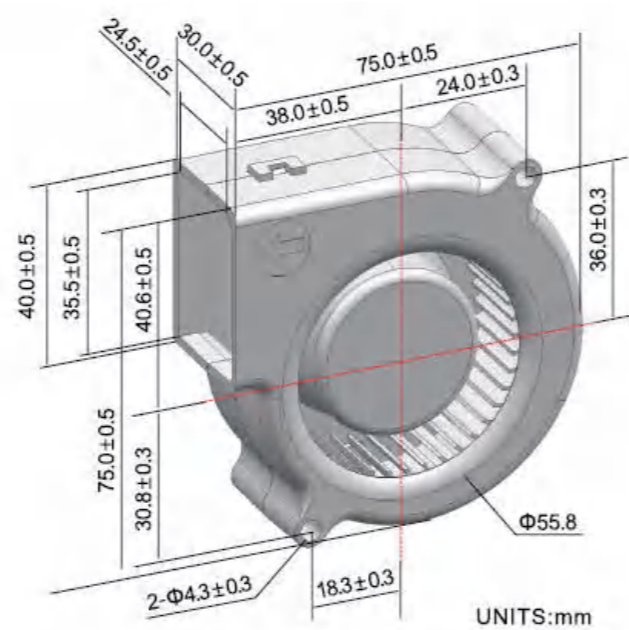
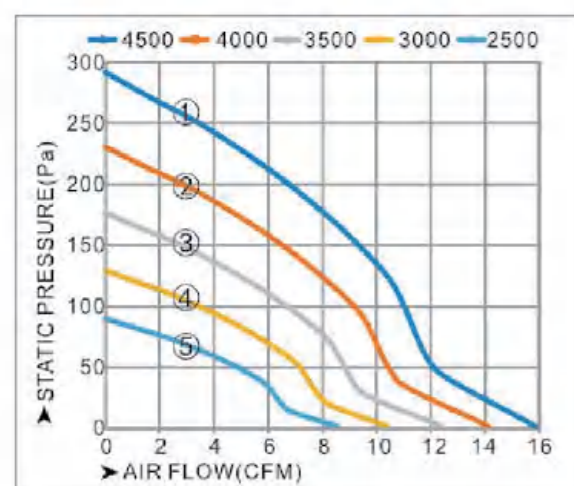
Product Characteristic

- Material: Frame: Plastic(UL94-VO) Impeller: Plastic(UL94-VO)
- Voltage: 12VDC(6~13.8VDC),24VDC(12~27.6VDC),48VDC(24~56VDC)
- Temperature: Operation Temperature: -10~70°C(Non-condensing)
- Specials: AS, RD, FG, PWM, Temperature Control, IP56



Technical Specifications

Model	Voltage	Current	Speed	Air Volume		Static Pressure			Noise	Weight	Curve
	V	A	RPM	CFM	m³/min	mm-H2O	Inch-H2O	Pa	dBA	g	
LWFD7530LX-01	12	0.7	4500	16	0.45	31.3	1.23	306	50.6	77g	①
LWFD7530LH-02	12	0.6	4000	14.2	0.4	24.7	0.97	242	48	77g	②
LWFD7530LM-03	12	0.5	3500	12.4	0.35	18.9	0.74	185	45.1	77g	③
LWFD7530LL-04	12	0.4	3000	10.6	0.3	13.9	0.55	136	41.8	77g	④
LWFD7530LD-05	12	0.3	2500	8.9	0.25	9.6	0.38	95	37.8	77g	⑤
LWFD7530MX-01	24	0.4	4500	16	0.45	31.3	1.23	306	50.6	77g	①
LWFD7530MH-02	24	0.35	4000	14.2	0.4	24.7	0.97	242	48	77g	②
LWFD7530MM-03	24	0.3	3500	12.4	0.35	18.9	0.74	185	45.1	77g	③
LWFD7530ML-04	24	0.25	3000	10.6	0.3	13.9	0.55	136	41.8	77g	④
LWFD7530MD-05	24	0.2	2500	8.9	0.25	9.6	0.38	95	37.8	77g	⑤
LWFD7530HX-01	48	0.3	4500	16	0.45	31.3	1.23	306	50.6	77g	①
LWFD7530HH-02	48	0.25	4000	14.2	0.4	24.7	0.97	242	48	77g	②
LWFD7530HM-03	48	0.2	3500	12.4	0.35	18.9	0.74	185	45.1	77g	③
LWFD7530HL-04	48	0.15	3000	10.6	0.3	13.9	0.55	136	41.8	77g	④
LWFD7530HD-05	48	0.1	2500	8.9	0.25	9.6	0.38	95	37.8	77g	⑤



LWFD9733 Series

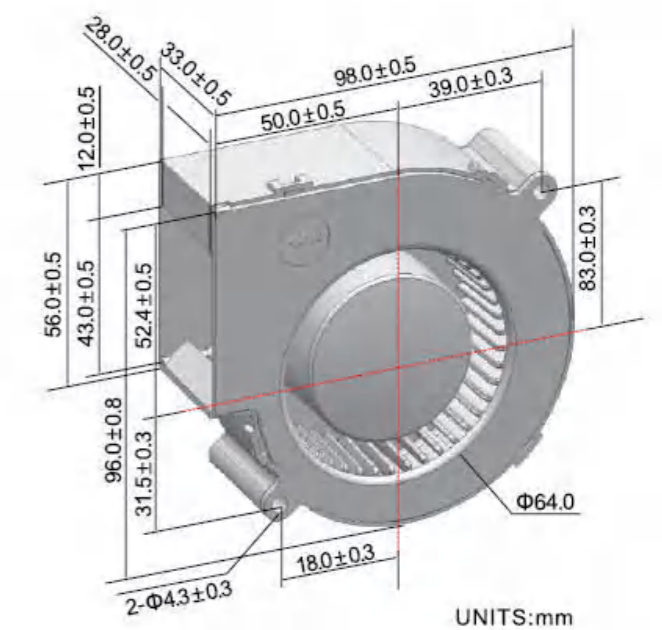
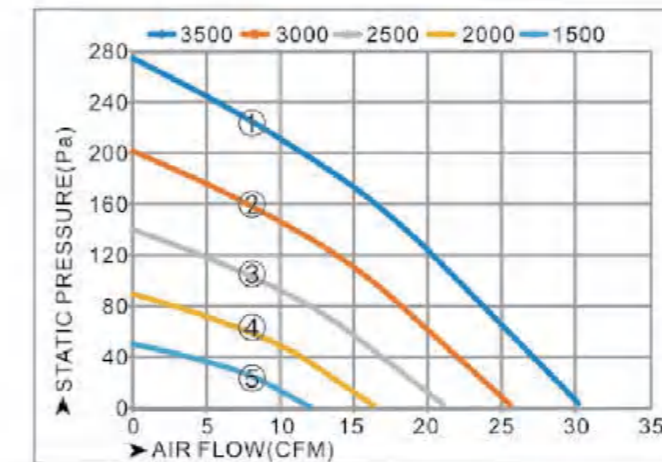
Product Characteristic

- Material: Frame: Plastic(UL94-VO) Impeller: Plastic(UL94-VO)
- Voltage: 12VDC(6~13.8VDC),24VDC(12~27.6VDC),48VDC(24~56VDC)
- Temperature: Operation Temperature: -10~70°C(Non-condensing)
- Specials: AS, RD, FG, PWM, Temperature Control, IP56



Technical Specifications

Model	Voltage	Current	Speed	Air Volume		Static Pressure			Noise	Weight	Curve
	V	A	RPM	CFM	m³/min	mm-H2O	Inch-H2O	Pa	dBA	g	
LWFD9733LX-01	12	1	3500	30	0.85	29.4	1.16	288	50.8	190g	①
LWFD9733LH-02	12	0.8	3000	25.7	0.73	21.6	0.85	212	47.5	190g	②
LWFD9733LM-03	12	0.6	2500	21.5	0.61	15	0.59	147	43.5	190g	③
LWFD9733LL-04	12	0.4	2000	17.2	0.49	9.6	0.38	94	38.7	190g	④
LWFD9733LD-05	12	0.3	1500	12.9	0.36	5.4	0.21	53	32.4	190g	⑤
LWFD9733MX-01	24	0.6	3500	30	0.85	29.4	1.16	288	50.8	190g	①
LWFD9733MH-02	24	0.5	3000	25.7	0.73	21.6	0.85	212	47.5	190g	②
LWFD9733MM-03	24	0.4	2500	21.5	0.61	15	0.59	147	43.5	190g	③
LWFD9733ML-04	24	0.3	2000	17.2	0.49	9.6	0.38	94	38.7	190g	④
LWFD9733MD-05	24	0.2	1500	12.9	0.36	5.4	0.21	53	32.4	190g	⑤
LWFD9733HX-01	48	0.4	3500	30	0.85	29.4	1.16	288	50.8	190g	①
LWFD9733HH-02	48	0.3	3000	25.7	0.73	21.6	0.85	212	47.5	190g	②
LWFD9733HM-03	48	0.2	2500	21.5	0.61	15	0.59	147	43.5	190g	③
LWFD9733HL-04	48	0.15	2000	17.2	0.49	9.6	0.38	94	38.7	190g	④
LWFD9733HD-05	48	0.1	1500	12.9	0.36	5.4	0.21	53	32.4	190g	⑤



LWFD12032 Series

Product Characteristic

- Material: Frame: Plastic(UL94-VO) Impeller: Plastic(UL94-VO)
- Voltage: 12VDC(6~13.8VDC),24VDC(12~27.6VDC),48VDC(24~56VDC)
- Temperature: Operation Temperature: -10~70°C(Non-condensing)
- Specials: AS, RD, FG, PWM, Temperature Control, IP56



Technical Specifications

Model	Voltage	Current	Speed	Air Volume		Static Pressure			Noise	Weight	Curve
	V	A	RPM	CFM	m ³ /min	mm-H2O	Inch--H2O	Pa	dBA	g	
LWFD12032LX-01	12	2	3500	47	1.33	58.2	2.29	570	57	268g	①
LWFD12032LH-02	12	1	3000	40.3	1.14	42.7	1.68	419	53.7	268g	②
LWFD12032LM-03	12	0.7	2500	33.5	0.95	29.7	1.17	291	49.7	268g	③
LWFD12032LL-04	12	0.5	2000	26.8	0.76	19	0.75	186	44.8	268g	④
LWFD12032LD-05	12	0.3	1500	20.1	0.57	10.7	0.42	105	38.6	268g	⑤
LWFD12032MX-01	24	1	3500	47	1.33	58.2	2.29	570	57	268g	①
LWFD12032MH-02	24	0.6	3000	40.3	1.14	42.7	1.68	419	53.7	268g	②
LWFD12032MM-03	24	0.4	2500	33.5	0.95	29.7	1.17	291	49.7	268g	③
LWFD12032ML-04	24	0.35	2000	26.8	0.76	19	0.75	186	44.8	268g	④
LWFD12032MD-05	24	0.2	1500	20.1	0.57	10.7	0.42	105	38.6	268g	⑤
LWFD12032HX-01	48	0.5	3500	47	1.33	58.2	2.29	570	57	268g	①
LWFD12032HH-02	48	0.3	3000	40.3	1.14	42.7	1.68	419	53.7	268g	②
LWFD12032HM-03	48	0.25	2500	33.5	0.95	29.7	1.17	291	49.7	268g	③
LWFD12032HL-04	48	0.2	2000	26.8	0.76	19	0.75	186	44.8	268g	④
LWFD12032HD-05	48	0.15	1500	20.1	0.57	10.7	0.42	105	38.6	268g	⑤

