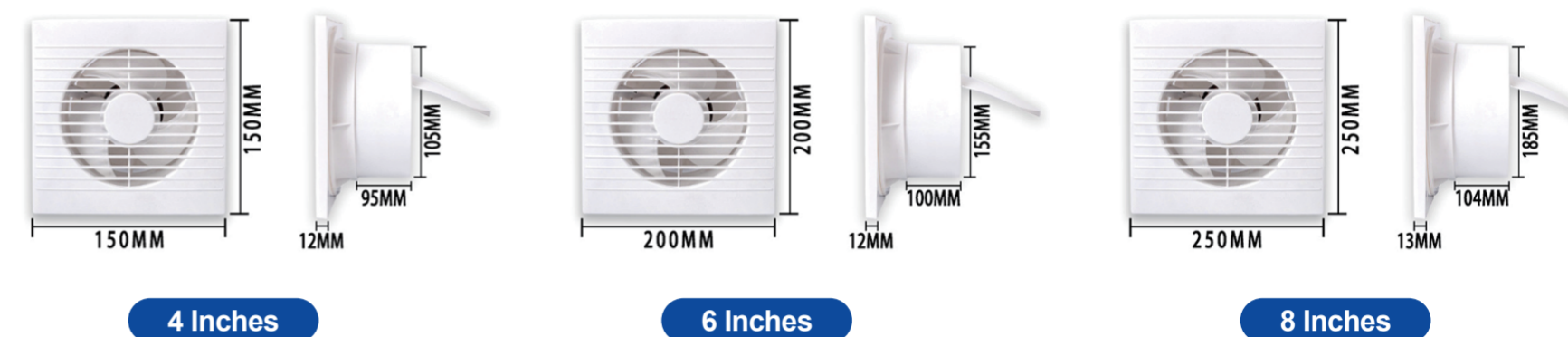


Exhaust Fan

Professional HVAC Fan & Motors Manufacturer



Outline Dimension Drawing



Technical Parameters

Model	Voltage (V)	Power (W)	Product size (mm)	Air flow (m ³ /h)	Hole size (mm)	Noise (dBA)
LWEA100(4")SP-006	220	25	150×150	0.8	105	38
LWEA150(6")SP-007	220	25	200×200	1.8	155	39
LWEA200(8")SP-008	220	30	250×250	2.5	185	42

Mainly Application



Deluxe Louver Ventilator

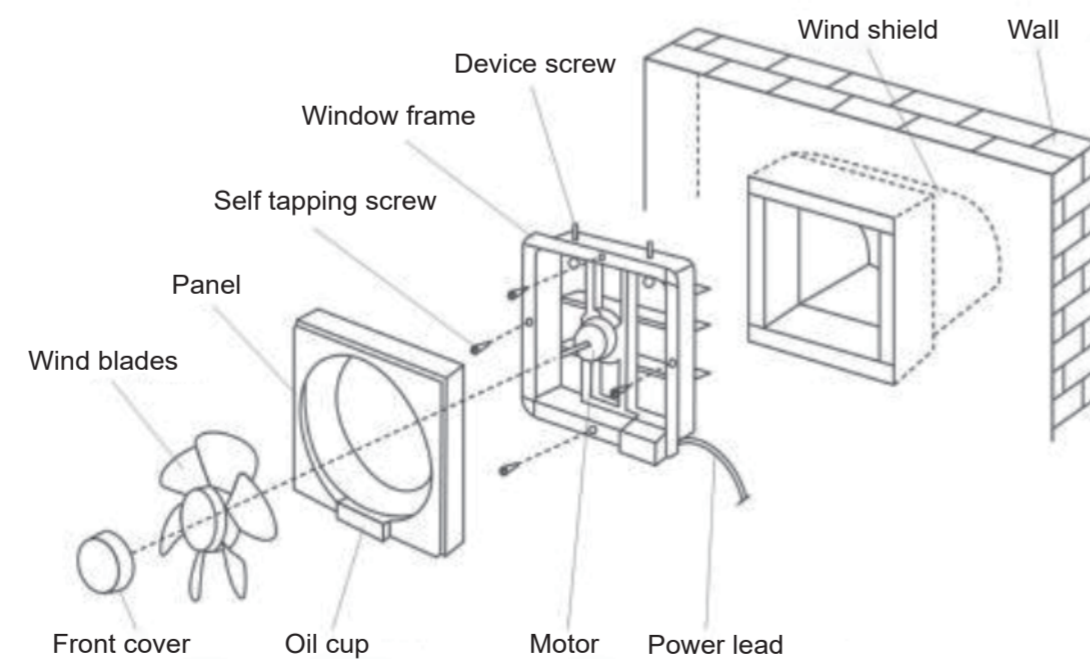


Technical Specifications

Model	A (mm)	B (mm)	Voltage (V~/Hz)	Air Volume (m³/h)	Speed (RPM)	Power (W)	Package Size (mm)	Packages (set)
LWEA150(6")SP-009	235x235	200x200	220/50	280	1300	25W	730x252x265	5
LWEA200(8")SP-010	293x293	240x240	220/50	480	1300	28W	740x312x317	5
LWEA250(10")SP-011	340x340	295x295	220/50	750	1250	30W	697x355x365	5
LWEA300(12")SP-012	392x392	345x345	220/50	1100	1100	40W	745x410x410	5
LWEA150(6")UP-013	235x235	200x200	110/60	280	1300	25W	730x252x265	5
LWEA200(8")UP-014	293x293	240x240	110/60	480	1300	28W	740x312x317	5
LWEA250(10")UP-015	340x340	295x295	110/60	750	1250	30W	697x355x365	5
LWEA300(12")UP-016	392x392	345x345	110/60	1100	1100	40W	745x410x410	5

Installation Diagram

- Original factory configuration device screws,power leads
- When used to ventilate directly to the outside against strong winds,a windshield should be added
- Use the ventilation fan according to the rated voltage and rated frequency
- When connecting to the power supply line,contacts must be installed on the power supply line.And all-pole switch with a distance of not less than 3.2mm
- When installing,core must be taken to avoid gas from the open airway or it's open fire equipment is returned into the room



Shutters Ventilating Fan

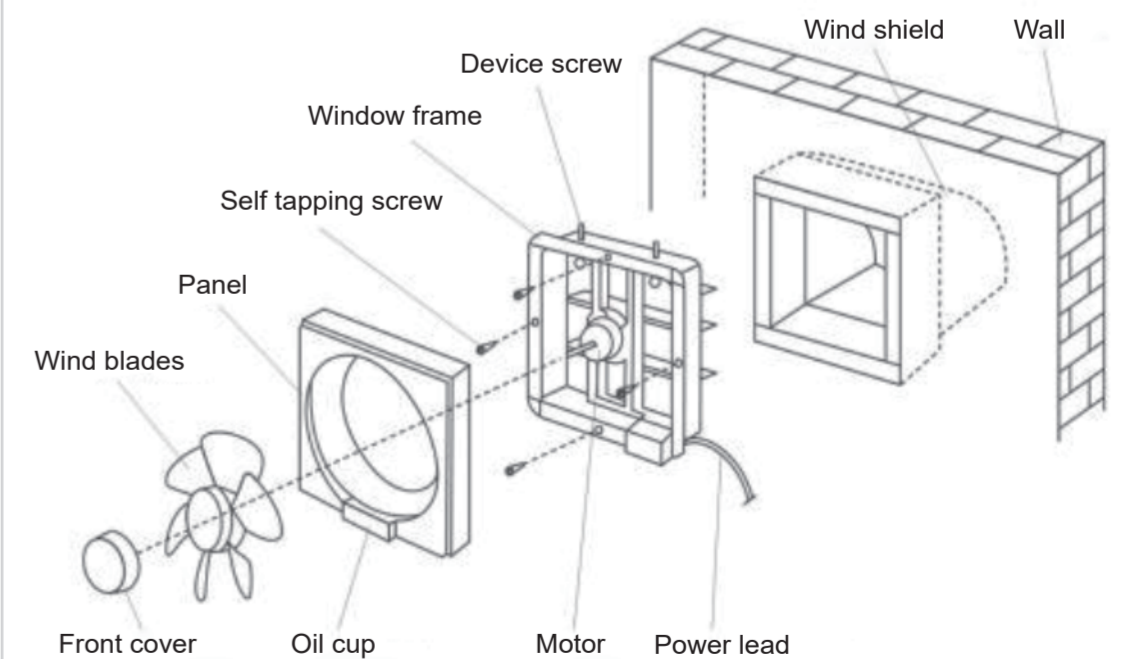


Technical Specifications

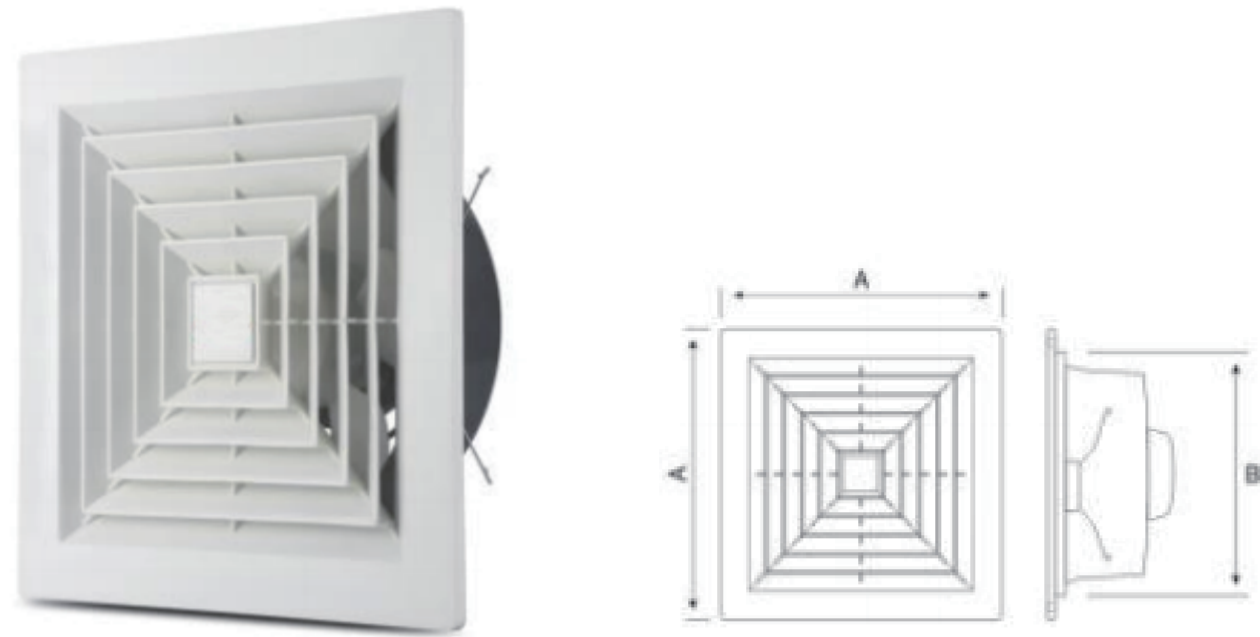
Model	A (mm)	B (mm)	Voltage (V~/Hz)	Air Volume (m³/h)	Speed (RPM)	Power (W)	Package Size (mm)	Packages (set)
LWEA150(6")SP-017	233x233	200x200	220/50	280	1300	25W	730x252x265	10
LWEA200(8")SP-018	293x293	245x245	220/50	480	1300	28W	740x312x622	10
LWEA250(10")SP-019	340x340	295x295	220/50	750	1250	30W	697x355x713	10
LWEA300(12")SP-020	392x392	330x330	220/50	1100	1100	40W	745x410x410	5
LWEA150(6")UP-021	233x233	200x200	110/60	280	1300	25W	730x252x265	10
LWEA200(8")UP-022	293x293	245x245	110/60	480	1300	28W	740x312x622	10
LWEA250(10")UP-023	340x340	295x295	110/60	750	1250	30W	697x355x713	10
LWEA300(12")UP-024	392x392	330x330	110/60	1100	1100	40W	745x410x410	5

Installation Diagram

- Original factory configuration device screws,power leads
- When used to ventilate directly to the outside against strong winds,a windshield should be added
- Use the ventilation fan according to the rated voltage and rated frequency
- When connecting to the power supply line,contacts must be installed on the power supply line.And all-pole switch with a distance of not less than 3.2mm
- When installing,core must be taken to avoid gas from the open airway or it's open fire equipment is returned into the room



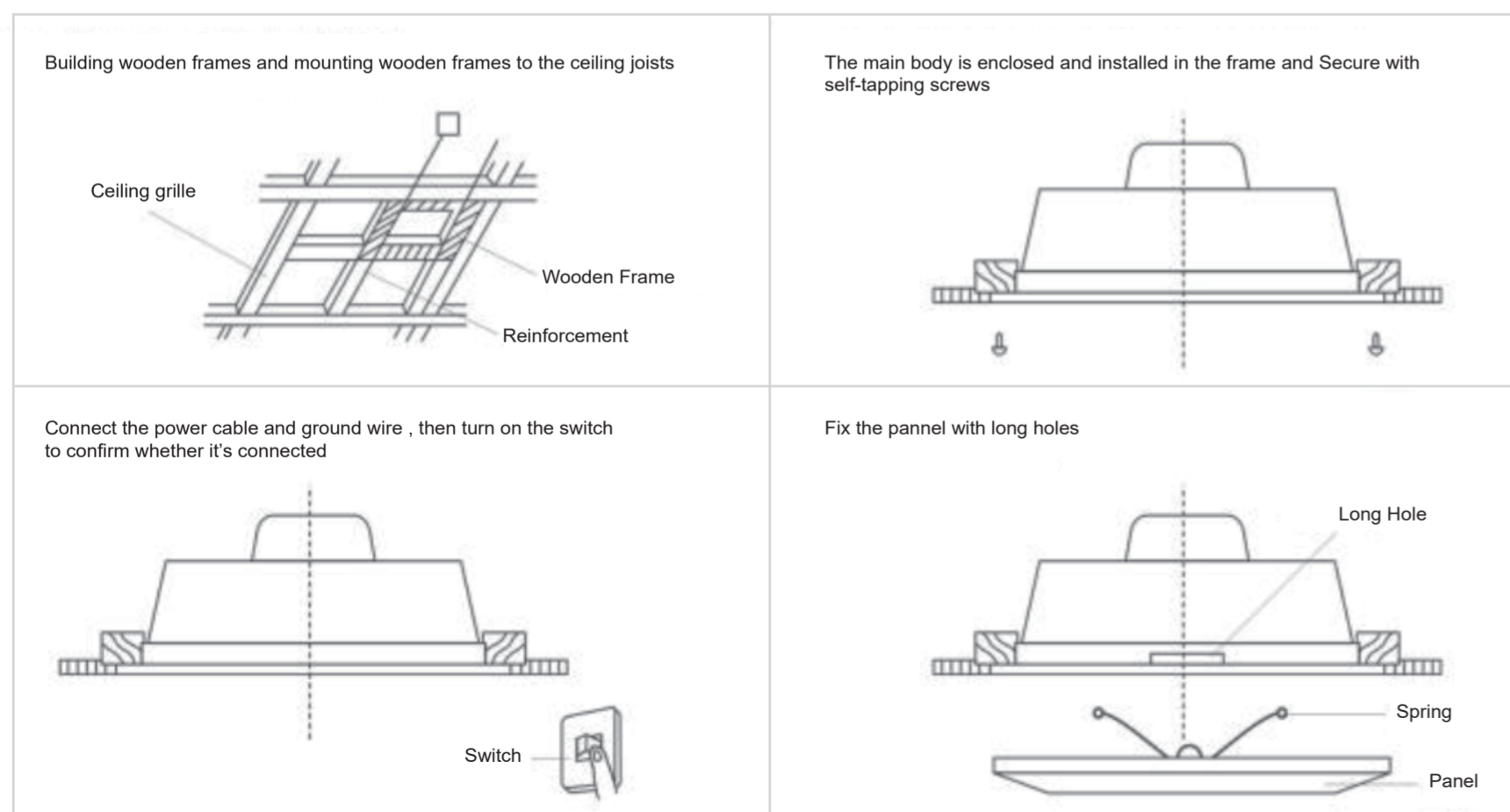
Smallpox Straight Row Ventilating Fan



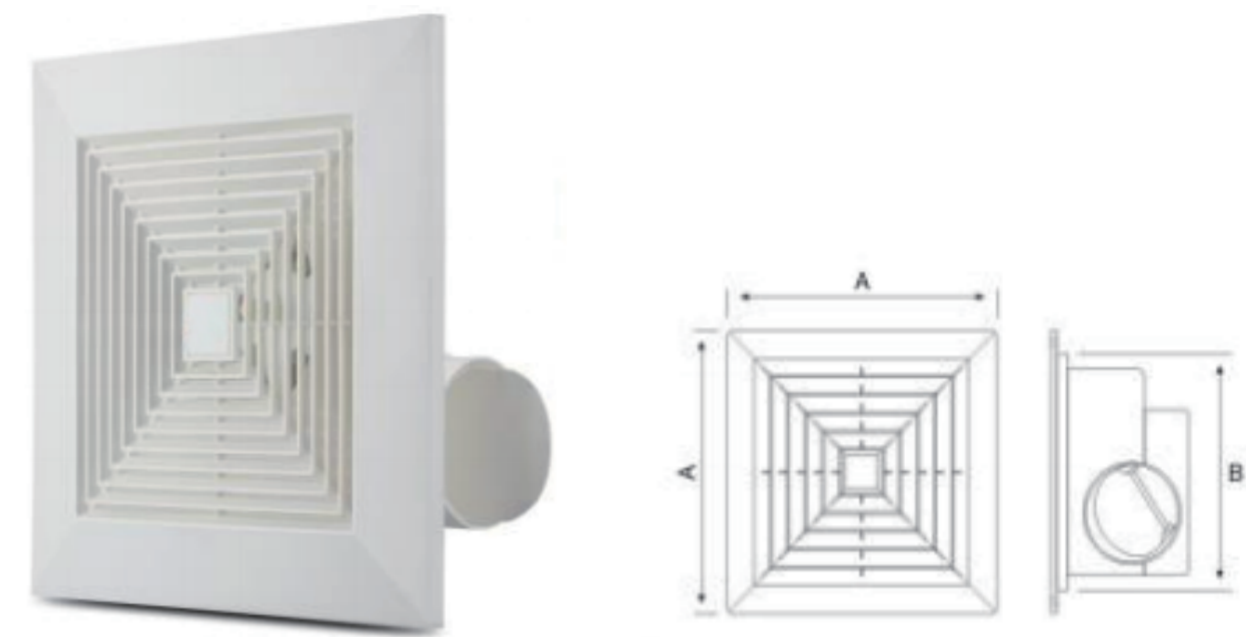
Technical Specifications

Model	A (mm)	B (mm)	Voltage (V~/Hz)	Air Volume (m³/h)	Speed (RPM)	Power (W)	Package Size (mm)	Packages (set)
LWEA200(8")SP-025	300x300	255x255	220/50	260	1300	25W	740x312x317	5
LWEA250(10")SP-026	323x323	280x280	220/50	450	1200	30W	697x355x365	5
LWEA300(12")SP-027	355x355	315x315	220/50	750	1200	40W	745x410x410	5
LWEA200(8")UP-028	300x300	255x255	110/60	260	1300	25W	740x312x317	5
LWEA250(10")UP-029	323x323	280x280	110/60	450	1200	30W	697x355x365	5
LWEA300(12")UP-030	355x355	315x315	110/60	750	1200	40W	745x410x410	5

Installation Diagram



Ceiling Pipeline Type Ventilating Fan

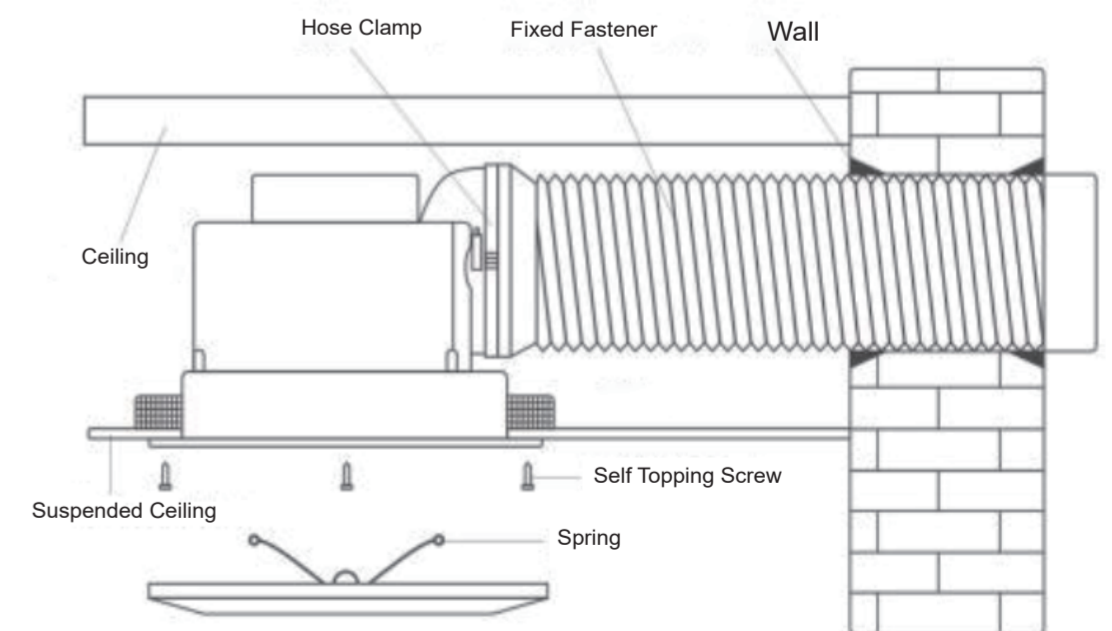


Technical Specifications

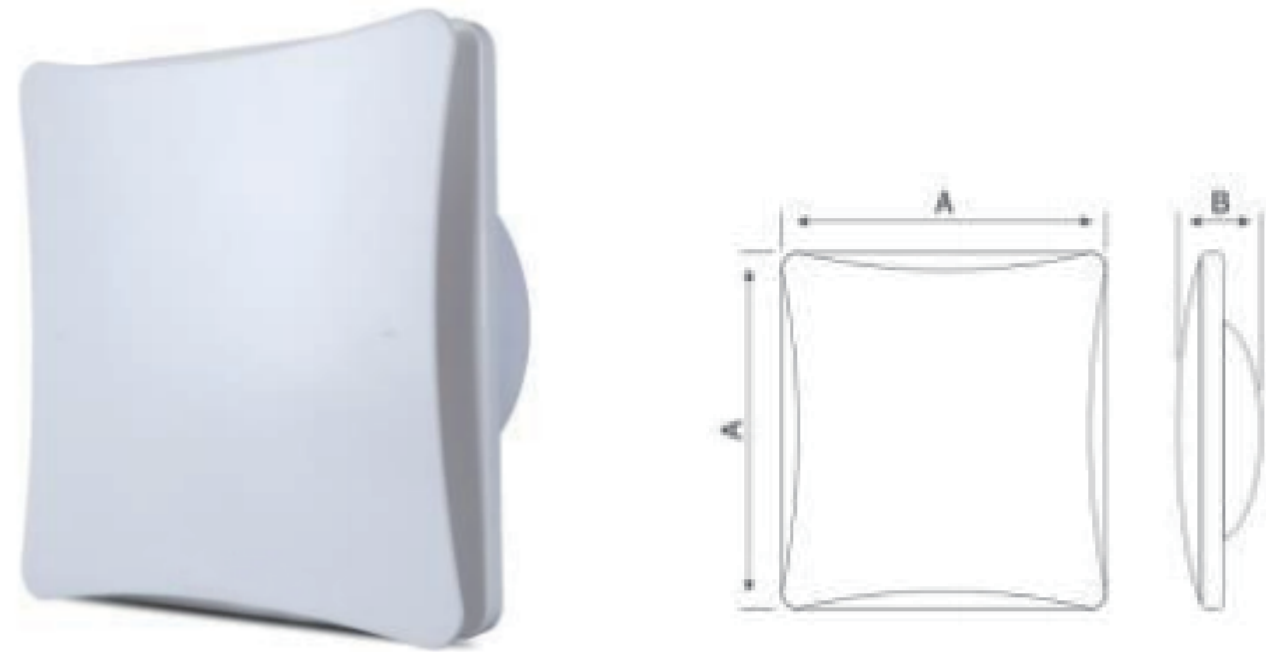
Model	A (mm)	B (mm)	Voltage (V~/Hz)	Air Volume (m³/h)	Speed (RPM)	Power (W)	Package Size (mm)	Packages (set)
LWEA200(8")SP-031	245x245	200x200	220/50	150	1300	25W	890x262x268	5
LWEA250(10")SP-032	293x293	245x245	220/50	200	1300	30W	875x325x328	5
LWEA300(12")SP-033	335x335	290x290	220/50	250	1200	35W	835x352x362	5
LWEA350(14")SP-034	400x400	340x340	220/50	350	1100	40W	1050x420x420	5
LWEA200(8")UP-035	245x245	200x200	110/60	150	1300	25W	890x262x268	5
LWEA250(10")UP-036	293x293	245x245	110/60	200	1300	30W	875x325x328	5
LWEA300(12")UP-037	335x335	290x290	110/60	250	1200	35W	835x352x362	5
LWEA350(14")UP-038	400x400	340x340	110/60	350	1100	40W	1050x420x420	5

Installation Diagram

- Original factory configuration device screws, power leads
- When used to ventilate directly to the outside against strong winds, a windshield should be added
- Use the ventilation fan according to the rated voltage and rated frequency
- When connecting to the power supply line, contacts must be installed on the power supply line. And all-pole switch with a distance of not less than 3.2mm
- When installing, care must be taken to avoid gas from the open airway or its open fire equipment is returned into the room



Window Bathroom Ventilator

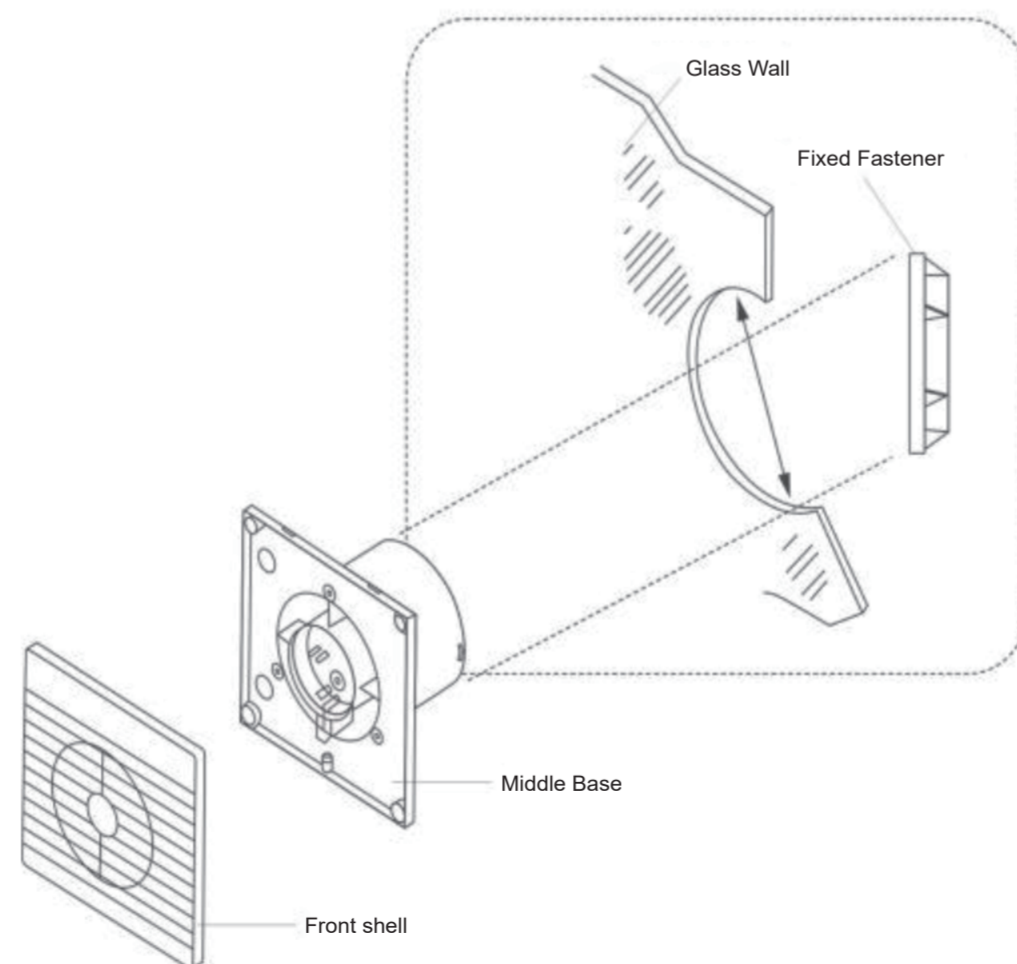


Technical Specifications

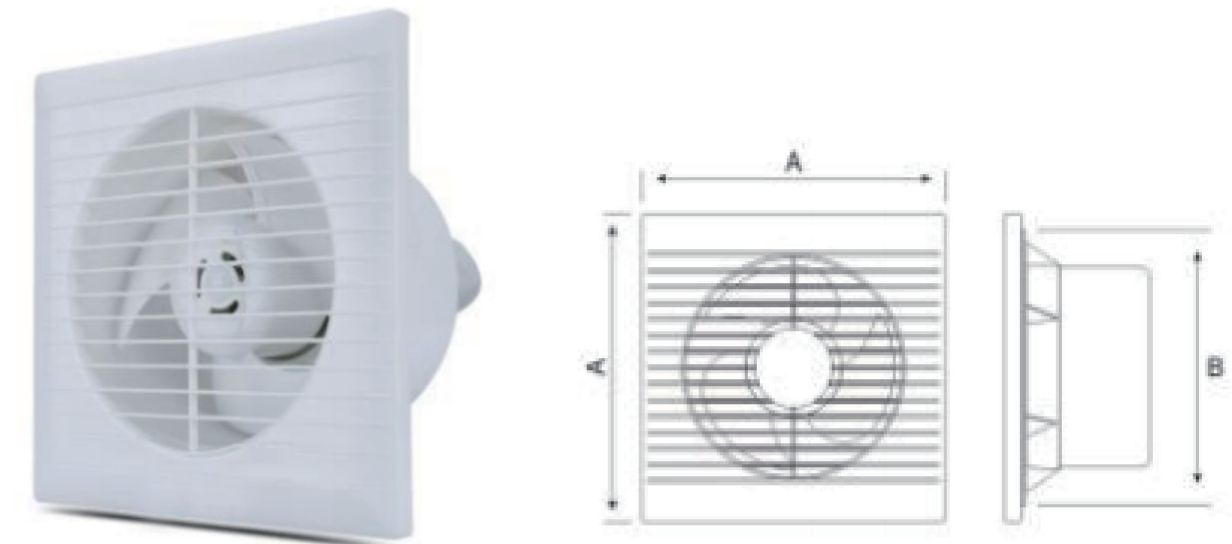
Model	A (mm)	B (mm)	Voltage (V~/Hz)	Air Volume (m³/h)	Speed (RPM)	Power (W)	Package Size (mm)	Packages (set)
LWEA100(4")SP-039	160X160	Φ100	220/50	150	2000	23W	580x170x360	10
LWEA150(6")SP-040	205X205	Φ150	220/50	200	2000	25W	750x220x490	10
LWEA200(8")SP-041	250X250	Φ180	220/50	300	1800	30W	755x265x273	5
LWEA100(4")UP-042	160X160	Φ100	110/60	150	2000	23W	580x170x360	10
LWEA150(6")UP-043	205X205	Φ150	110/60	200	2000	25W	750x220x490	10
LWEA200(8")UP-044	250X250	Φ180	110/60	300	1800	30W	755x265x273	5

Installation Diagram

- Original factory configuration device screws, power leads
- Holes are required to installed on the wall of the ventilator, and the size of each taye of opening is required refer to the size of the product dimension table
- Take the body out of the front shell screw and remove the front shell
- Insert the middle base into the glass mounting hole and insert the Fixed fastener from the window. Locking with the middle base with a fixed fastener
- Close the front cover and lock the front cover screws



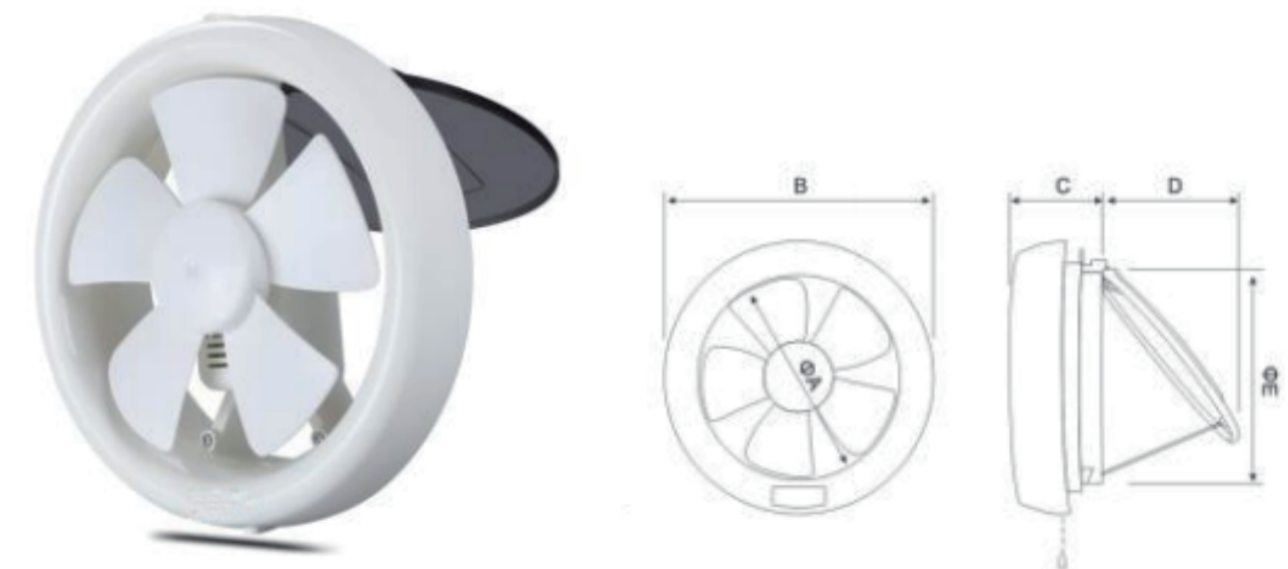
Window Bathroom Ventilator



Technical Specifications

Model	A (mm)	B (mm)	Voltage (V~/Hz)	Air Volume (m³/h)	Speed (RPM)	Power (W)	Package Size (mm)	Packages (set)
LWEA100(4")SP-045	160x160	Φ100	220/50	150	2000	23W	450x170x360	10
LWEA150(6")SP-046	205x205	Φ150	220/50	200	2000	25W	627x220x490	10
LWEA200(8")SP-047	250x250	Φ180	220/50	300	1800	30W	625x265x273	5
LWEA100(4")UP-048	160x160	Φ100	110/60	150	2000	23W	450x170x360	10
LWEA150(6")UP-049	205x205	Φ150	110/60	200	2000	25W	627x220x490	10
LWEA200(8")UP-050	250x250	Φ180	110/60	300	1800	30W	625x265x273	5

Window Bathroom Circular Ventilator



Technical Specifications

Model	A (mm)	B (mm)	Voltage (V~/Hz)	Air Volume (m³/h)	Speed (RPM)	Power (W)	Package Size (mm)	Packages (set)
LWEA150(6")SP-051	Φ205	Φ190	220/50	150	2000	25W	470x220x440	10
LWEA200(8")SP-052	Φ280	Φ250	220/50	200	1800	30W	570x290x300	5
LWEA150(6")UP-053	Φ205	Φ190	110/60	150	2000	25W	470x220x440	10
LWEA200(8")UP-054	Φ280	Φ250	110/60	200	1800	30W	570x290x300	5

Luxury Integrated Ceiling Ventilation Fan



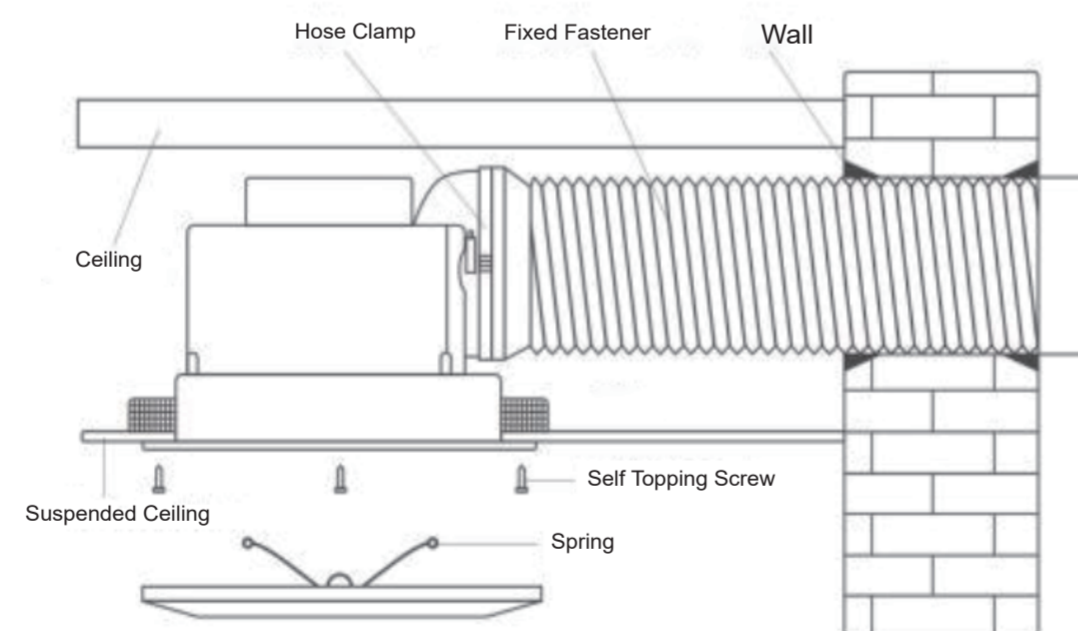
Panel Lamp

Technical Specifications

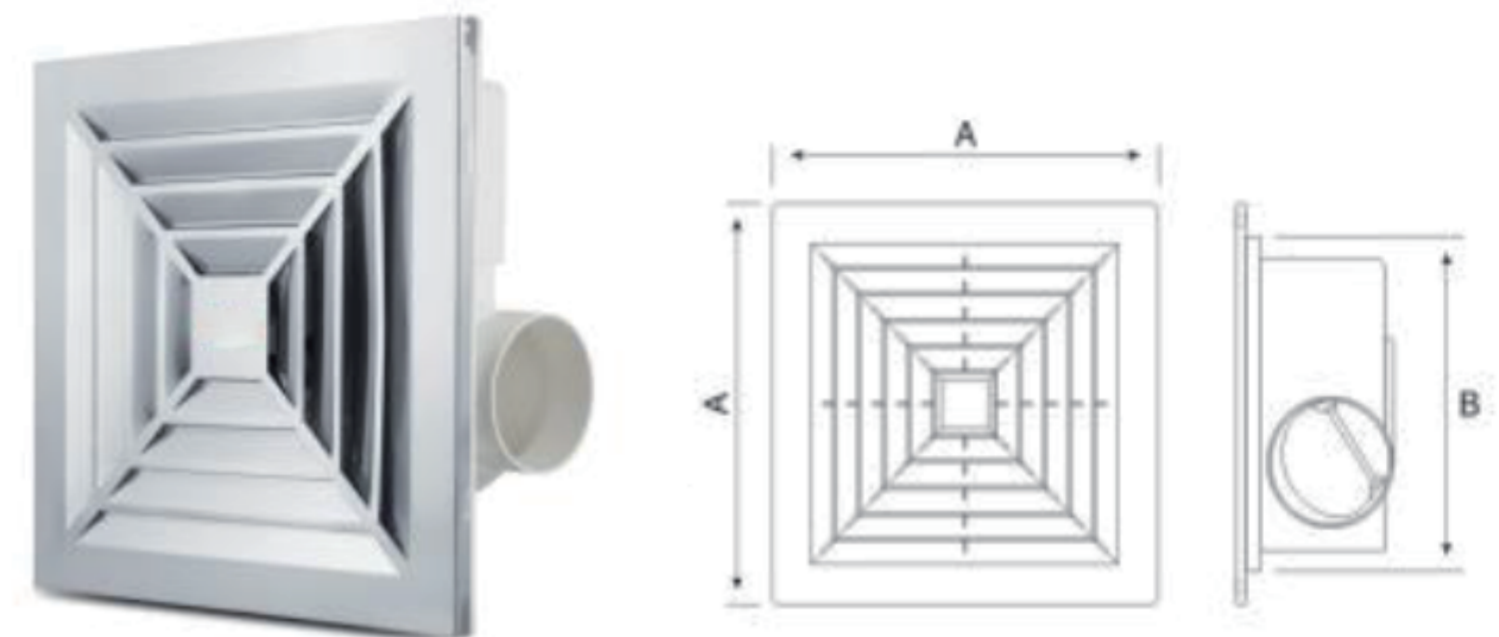
Model	A (mm)	B (mm)	Voltage (V~/Hz)	Air Volume (m³/h)	Speed (RPM)	Power (W)	Package Size (mm)	Packages (set)
LWEA300*300SP-055	300x300	300x300	220/50	300	1000	35W	890x355x395	5
LWEA300*300SP-056	300x300	300x300	220/50	180	1200	30W	715x365x465	5
LWEA300*300UP-057	300x300	300x300	110/60	300	1000	35W	890x355x395	5
LWEA300*300UP-058	300x300	300x300	110/60	180	1200	30W	715x365x465	5

Installation Diagram

- Original factory configuration device screws, power leads
- Use the ventilation fan according to the rated voltage and rated frequency
- When connecting to the power supply line, contacts must be installed on the power supply line. And all-pole switch with a distance of not less than 3.2mm
- When installing, care must be taken to avoid gas from the open airway or it's open fire equipment is returned into the room



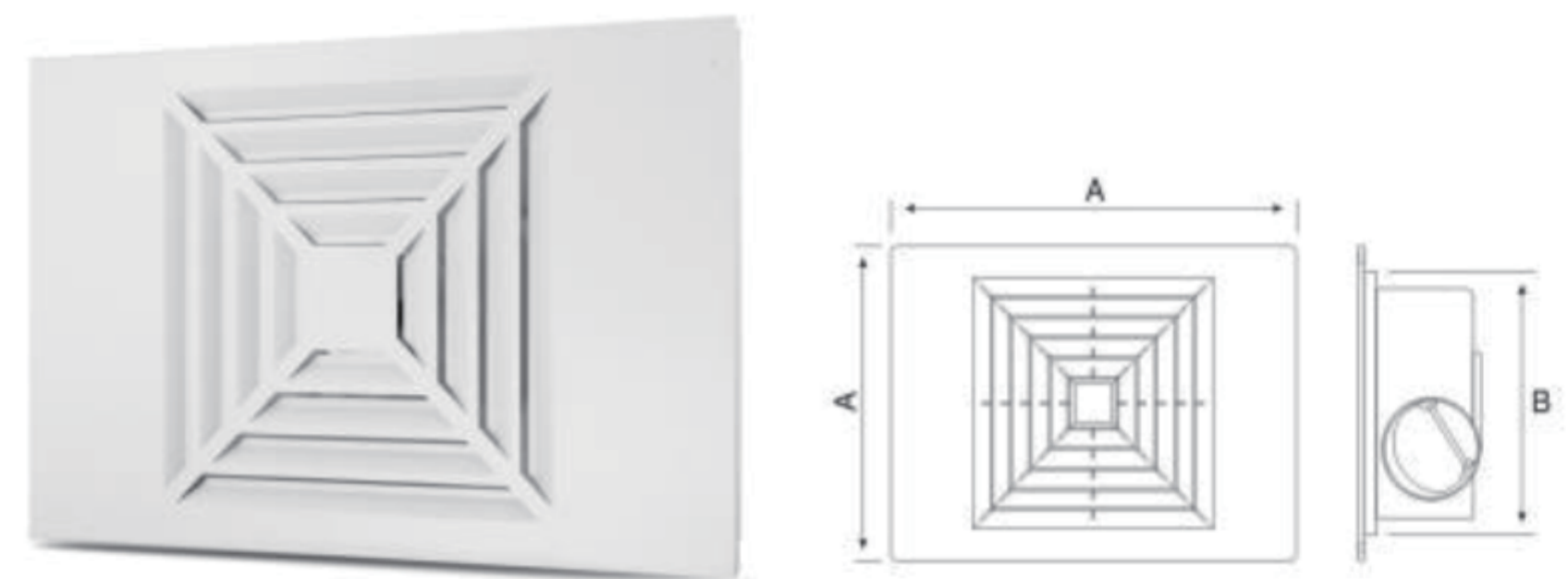
Luxury Integrated Ceiling Ventilator



Technical Specifications

Model	A (mm)	B (mm)	Voltage (V~/Hz)	Air Volume (m³/h)	Speed (RPM)	Power (W)	Package Size (mm)	Packages (set)
LWEA300*300SP-059	300x300	300x300	220/50	180	1200	30W	715x365x465	5

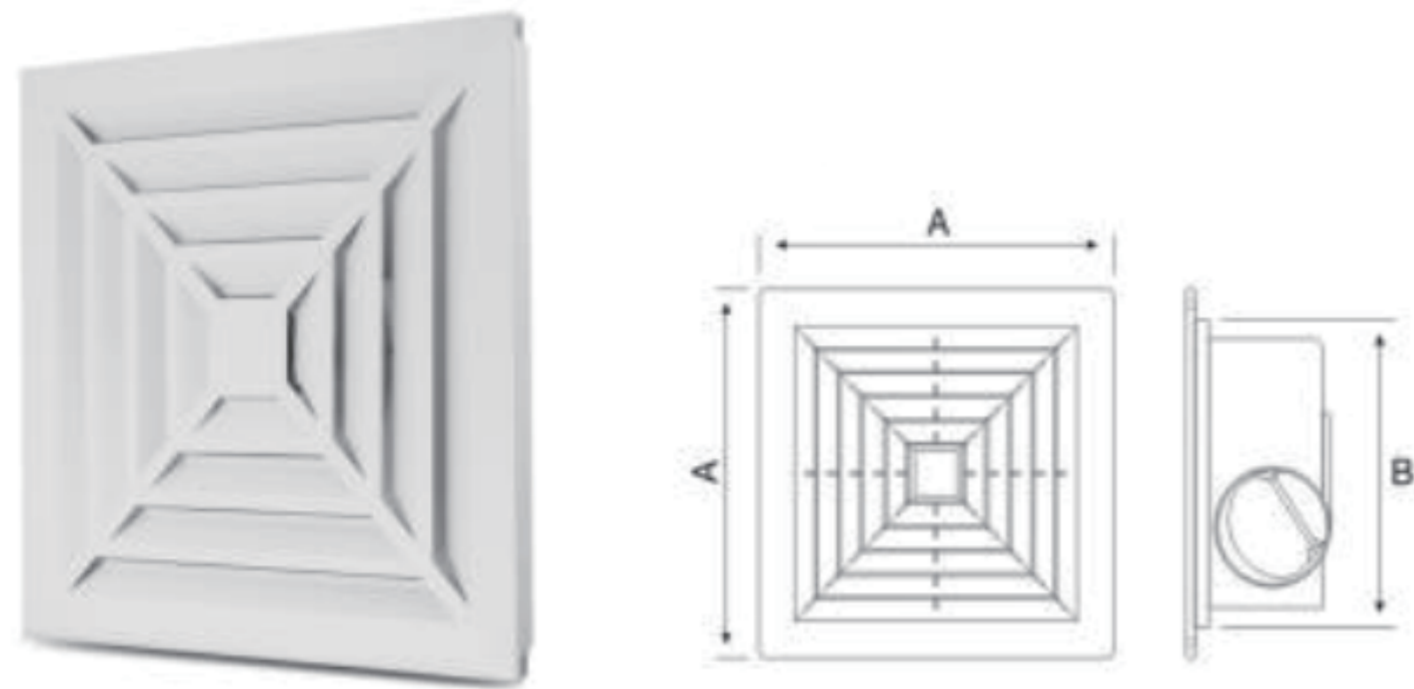
Luxury Integrated Ceiling Ventilator Fan



Technical Specifications

Model	A (mm)	B (mm)	Voltage (V~/Hz)	Air Volume (m³/h)	Speed (RPM)	Power (W)	Package Size (mm)	Packages (set)
LWEA300*450SP-060	300x450	300x450	220/50	200	1200	30W	715x465x465	5

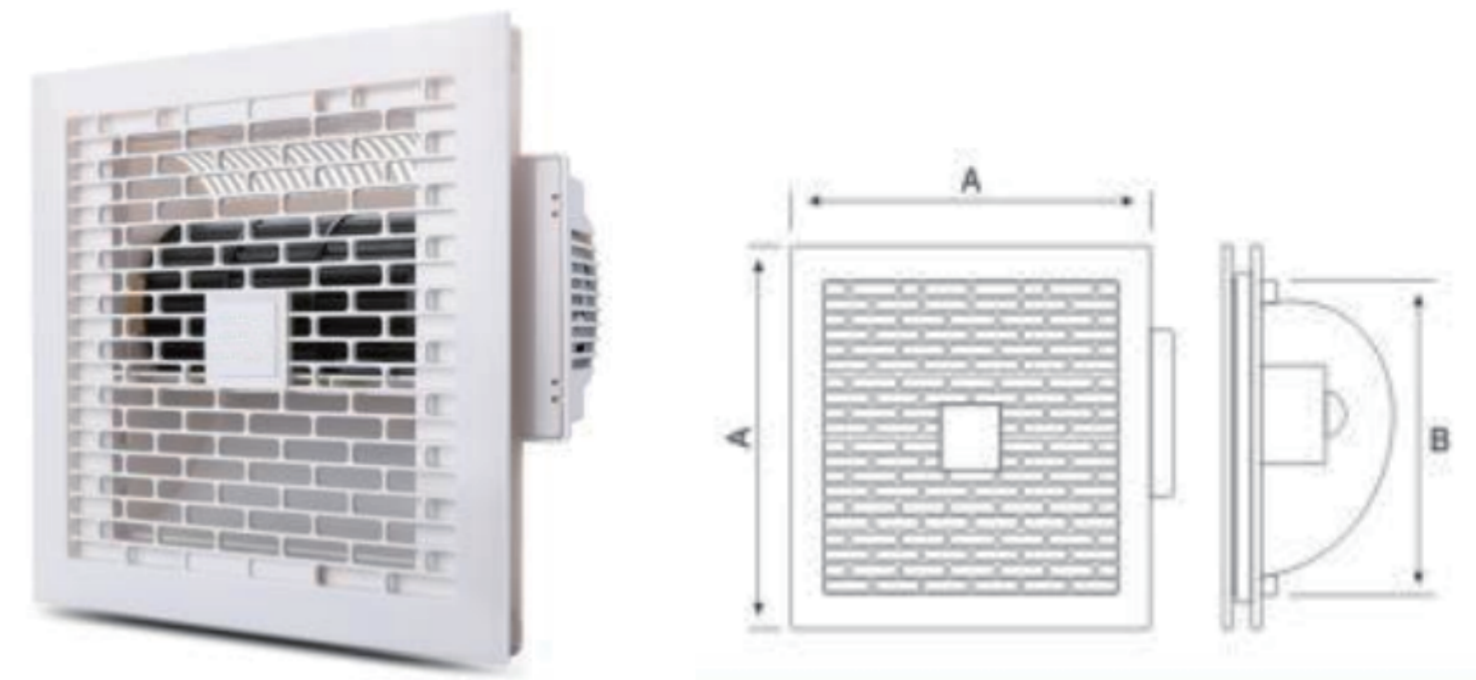
Luxury Integrated Ceiling Ventilator Fan



Technical Specifications

Model	A (mm)	B (mm)	Voltage (V~/Hz)	Air Volume (m³/h)	Speed (RPM)	Power (W)	Package Size (mm)	Packages (set)
LWEA450*450SP-061	450x450	450x450	220/50	200	1200	30W	715x365x465	5

Luxury Type Cool Ventilator Fan

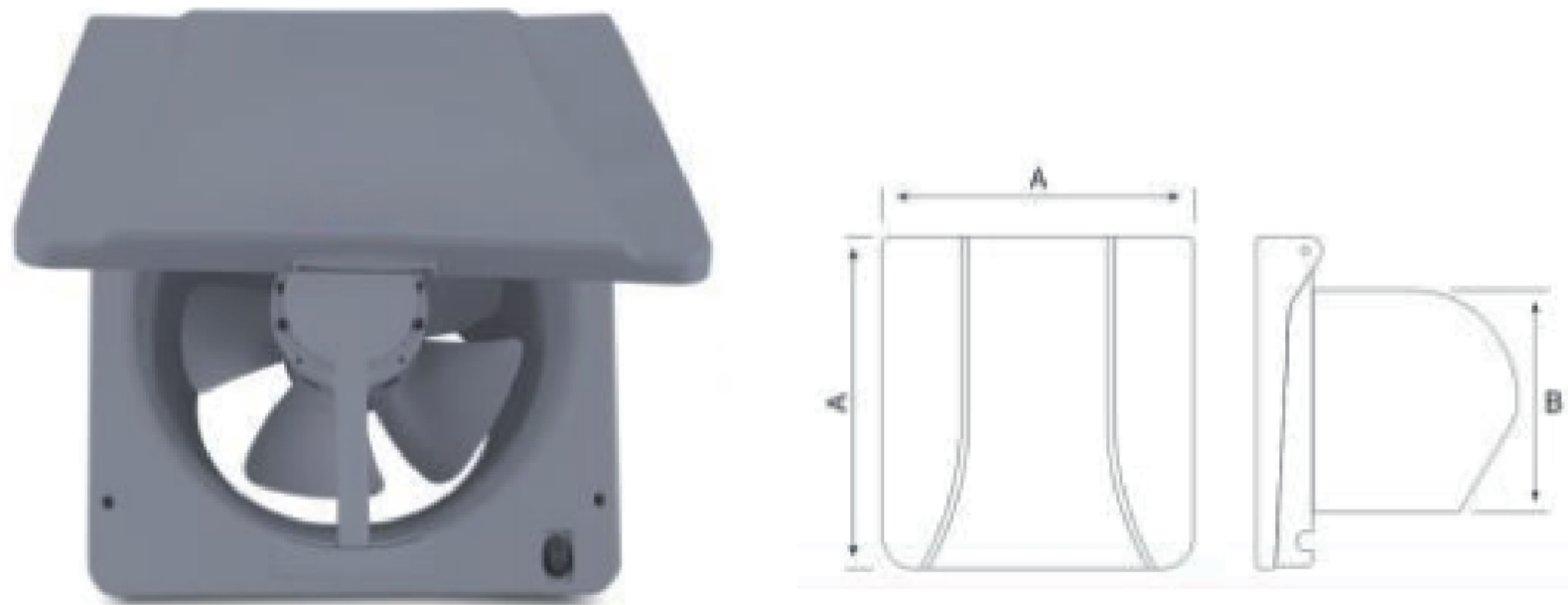


Technical Specifications

Installation method reference PO9

Model	A (mm)	B (mm)	Voltage (V~/Hz)	Air Volume (m³/h)	Speed (RPM)	Power (W)	Package Size (mm)	Packages (set)
LWEA300*300SP-064	300x300	245x245	220/50	250	1200	30W	750x355x355	5

King Fume Ventilation Fan

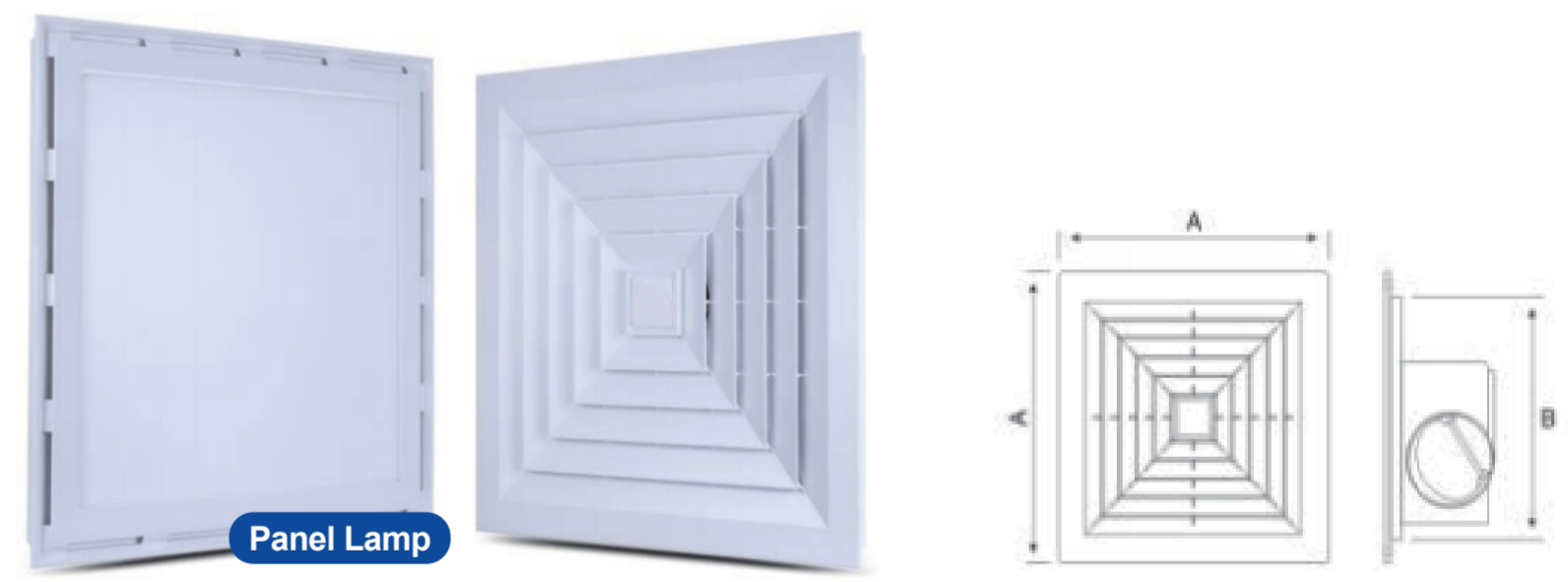


Technical Specifications

Installation method reference PO5

Model	A (mm)	B (mm)	Voltage (V~/Hz)	Air Volume (m³/h)	Speed (RPM)	Power (W)	Package Size (mm)	Packages (set)
LWEA250(10")SP-062	335x335	305x305	220/50	750	1300	35W	520x340x340	2
LWEA250(10")UP-063	335x335	305x305	110/60	750	1300	35W	520x340x340	2

Integrated Pipeline Ventilating Fan



Technical Specifications

Installation method reference PO9

Model	A (mm)	B (mm)	Voltage (V~/Hz)	Air Volume (m³/h)	Speed (RPM)	Power (W)	Package Size (mm)	Packages (set)
LWEA600(24")SP-065	600x600	600x600	220/50	720	1200	50W	660x180x650	1
LWEA600(24")SP-066	600x600	600x600	220/50	720	1200	100W	660x180x650	1