

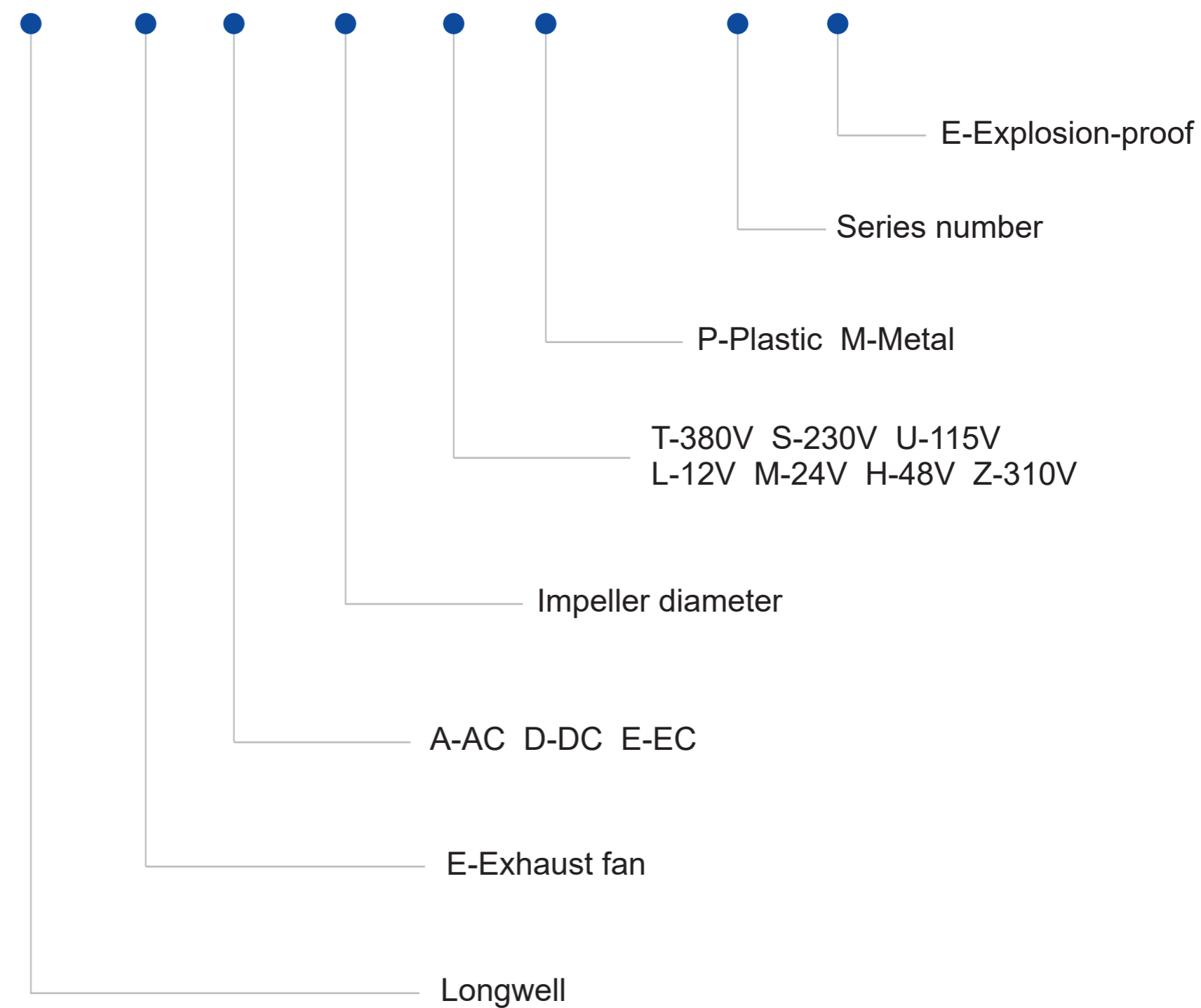
# Exhaust Fan

Professional HVAC Fan & Motors Manufacturer



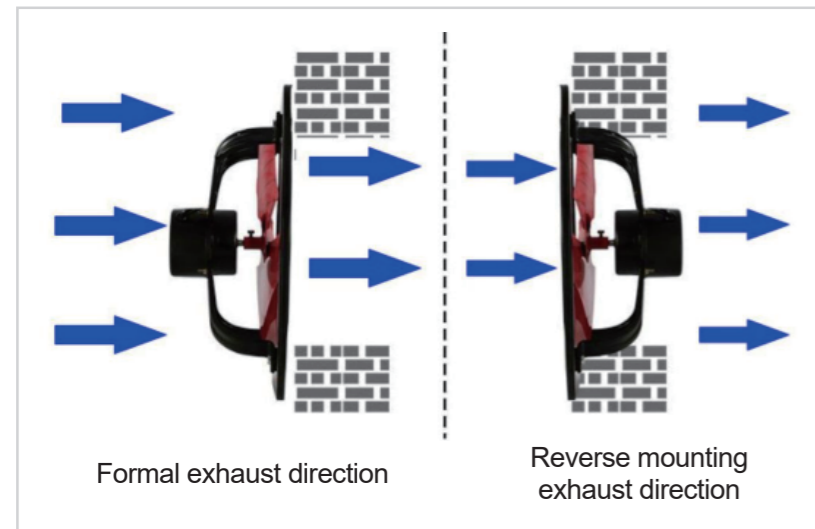
## Type Code

LW E A 100 L M - 001 E



## Industrial Exhaust Fan

- 100% pure copper wire motor
- Full metal body
- Powerful airflow, various sizes for choose
- Optional for front grill, optional metal shutters



### Technical Parameters

Model	Voltage (V)	Frequency (Hz)	Power (W)	Volume (m³/min)	Speed (RPM)	Package size (cm)
LWEA200(8")S(U)M-112	110~120 220~240	50/60	32	9	1350	80x28x27(6pcs)
LWEA250(10")S(U)M-113		50/60	36	12	1350	73x31x32(5pcs)
LWEA300(12")S(U)M-114		50/60	42	17	1350	79x37x38(5pcs)
LWEA355(14")S(U)M-115		50/60	55	22.5	1350	42x18x42
LWEA400(16")S(U)M-116		50/60	110	48	1350	49x25x49
LWEA450(18")S(U)M-117		50/60	160	80	1350	58x26x58
LWEA500(20")S(U)M-118		50/60	180	95	1350	62x28x62
LWEA600(24")S(U)M-119		50/60	280	145	1350	72x28x72

Model	Voltage/Frequency (V/Hz)	Power (W)	Air flow (m³/h)	Speed (RPM)	Noise (dBA)	Hole pitch (mm)	Product size (LXW mm)
LWEA200(8")SM-001	220/50	50	750	1400	>40	190x190	250x250x140
LWEA250(10")SM-002	220/50	60	850	1400	>46	240x240	290x290x140
LWEA300(12")SM-003	220/50	80	1080	1400	>51	290x290	350x350x150
LWEA355(14")SM-004	220/50	100	2280	1400	>55	340x340	400x400x180
LWEA400(16")SM-005	220/50	140	2880	1400	>58	390x390	480x480x230

## Industrial Exhaust Fan



- 100% pure copper wire motor
- Full metal body,black color
- Powerful airflow, various sizes for choose
- Optional for front grill, optional metal shutters

### Technical Parameters

Model	Voltage (V)	Frequency (Hz)	Power (W)	Volume (m³/min)	Speed (RPM)	Package size (cm)
LWEA200(8")S(U)M-120	110~120 220~240	50/60	32	9	1350	80x28x27(6pcs)
LWEA250(10")S(U)M-121		50/60	36	12	1350	73x31x32(5pcs)
LWEA300(12")S(U)M-122		50/60	42	17	1350	79x37x38(5pcs)
LWEA355(14")S(U)M-123		50/60	55	22.5	1350	42x18x42
LWEA400(16")S(U)M-124		50/60	110	48	1350	49x25x49
LWEA450(18")S(U)M-125		50/60	160	80	1350	58x26x58
LWEA500(20")S(U)M-126		50/60	180	95	1350	62x28x62
LWEA600(24")S(U)M-127		50/60	280	145	1350	72x28x72

# Square Type Axial Fan with Shutter

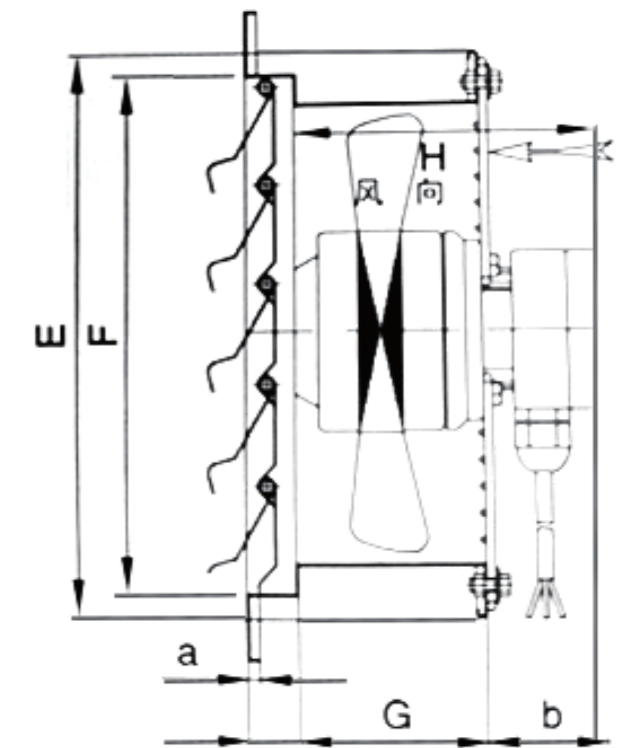
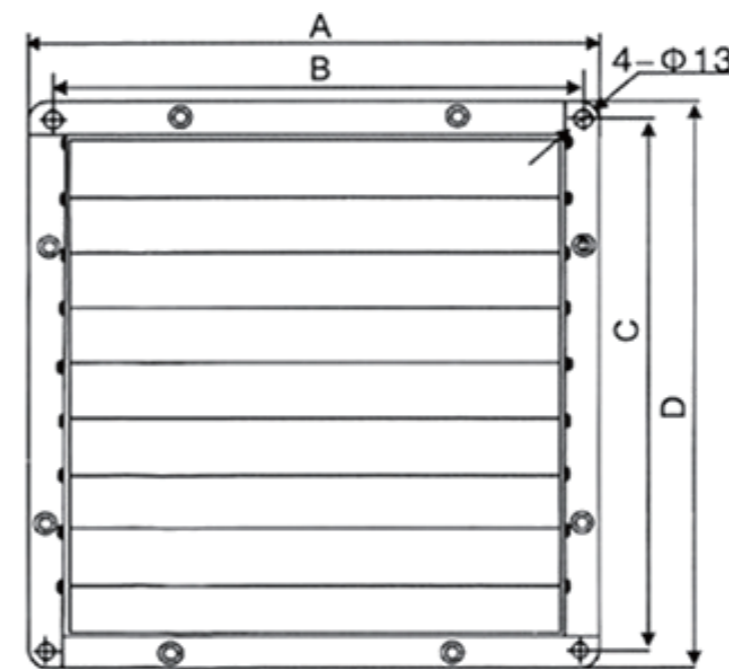


## Technical Parameters

Model	Voltage (V)	Frequency (Hz)	Current (A)	Power (W)	Speed (RPM)	Air Flow (m³/h)	Air pressure (Pa)	Noise (dBA)	Capacitor (uF)
LWEA2D200TM-077	380	50	0.25	80	2700	1080	122	57	-
LWEA2E200SM-078	220	50	0.3	70	2650	1050	120	56	2.5
LWEA4D200TM-079	380	50	0.2	50	1400	500	60	50	-
LWEA4E200SM-080	220	50	0.2	40	1400	510	55	50	1.5
LWEA2D250TM-081	380	50	0.25	105	2650	1850	192	65	-
LWEA2E250SM-082	220	50	0.53	115	2550	1800	190	65	4
LWEA4D250TM-083	380	50	0.23	55	1450	1250	60	55	-
LWEA4E250SM-084	220	50	0.3	60	1440	1230	60	55	2.5
LWEA2D300TM-085	380	50	0.28	140	2480	3250	205	66	-
LWEA2E300SM-086	220	50	0.8	180	2550	3300	210	66	6
LWEA4D300TM-087	380	50	0.25	70	1400	1950	70	60	-
LWEA4E300SM-088	220	50	0.35	75	1400	1950	70	60	3
LWEA2D350TM-089	380	50	0.72	400	2400	4850	225	73	-
LWEA2E350SM-090	220	50	1.8	400	2350	4750	223	72	10
LWEA4D350TM-091	380	50	0.45	130	1400	3270	93	64	-
LWEA4E350SM-092	220	50	0.55	125	1400	3270	93	64	4
LWEA2D400TM-093	380	50	1.05	580	2350	6480	240	74	-
LWEA2E400SM-094	220	50	2.4	510	2280	6100	240	80	12
LWEA4D400TM-095	380	50	0.6	180	1400	4800	125	68	-
LWEA4E400SM-096	220	50	0.9	190	1400	4800	125	68	6
LWEA4D450TM-097	380	50	0.53	210	1390	5410	155	70	-
LWEA4E450SM-098	220	50	1.25	280	1380	5380	150	69	10
LWEA6D450TM-099	380	50	0.42	155	950	4650	100	60	-
LWEA6E450SM-100	220	50	0.85	165	950	4650	100	60	8

LWEA4D500TM-101	380	50	0.62	280	1390	8850	192	72	-
LWEA4E500SM-102	220	50	1.75	370	1390	8850	190	72	12
LWEA6D500TM-103	380	50	0.9	210	950	5800	125	65	-
LWEA6E500SM-104	220	50	0.9	230	950	5800	125	65	8
LWEA4D550TM-105	380	50	0.9	450	1350	10800	215	74	-
LWEA4E550SM-106	220	50	2.5	500	1350	10800	215	74	12
LWEA6D550TM-107	380	50	1	210	950	6500	135	68	-
LWEA6E550SM-108	220	50	1.1	300	950	6500	135	68	8
LWEA4D600TM-109	380	50	1.55	680	1380	13000	230	75	-
LWEA4E600SM-110	220	50	3.25	750	1380	13000	230	75	15
LWEA6D600TM-111	380	50	1.2	360	930	9600	150	70	-

## Outline Dimension Drawing

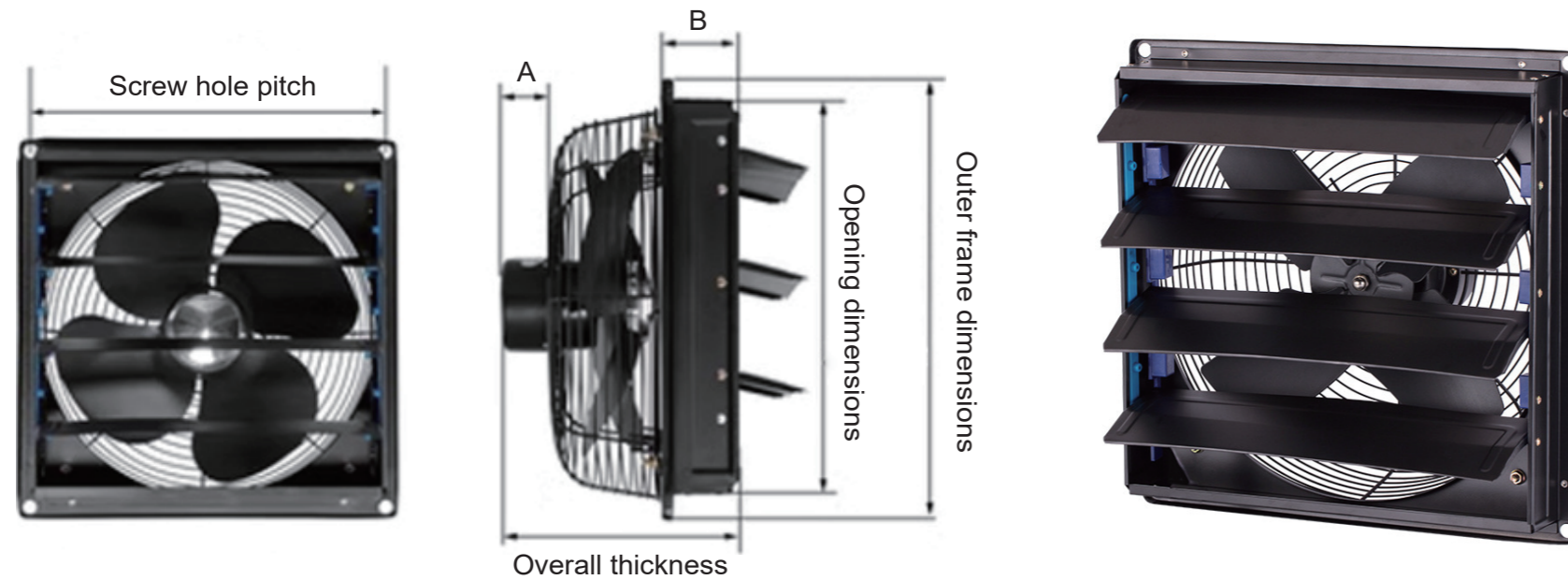


## Dimension Table

Model	AxD	BxC	E	F	G	H	a	b
LWEA-200	270X270	240X240	/	210	120	148	12	53
LWEA-250	320X320	290X290	270	260	120	148	12	53
LWEA-300	370X370	340X340	320	310	132	158	12	53
LWEA-350	420X420	390X390	375	365	138	168	12	41
LWEA-400	470X470	440X440	425	415	148	181	12	57
LWEA-500	570X570	540X540	525	515	175	183	12	57
LWEA-600	670X670	640X640	625	615	209	218	12	57

Unit:mm

## Industrial Exhaust Fan

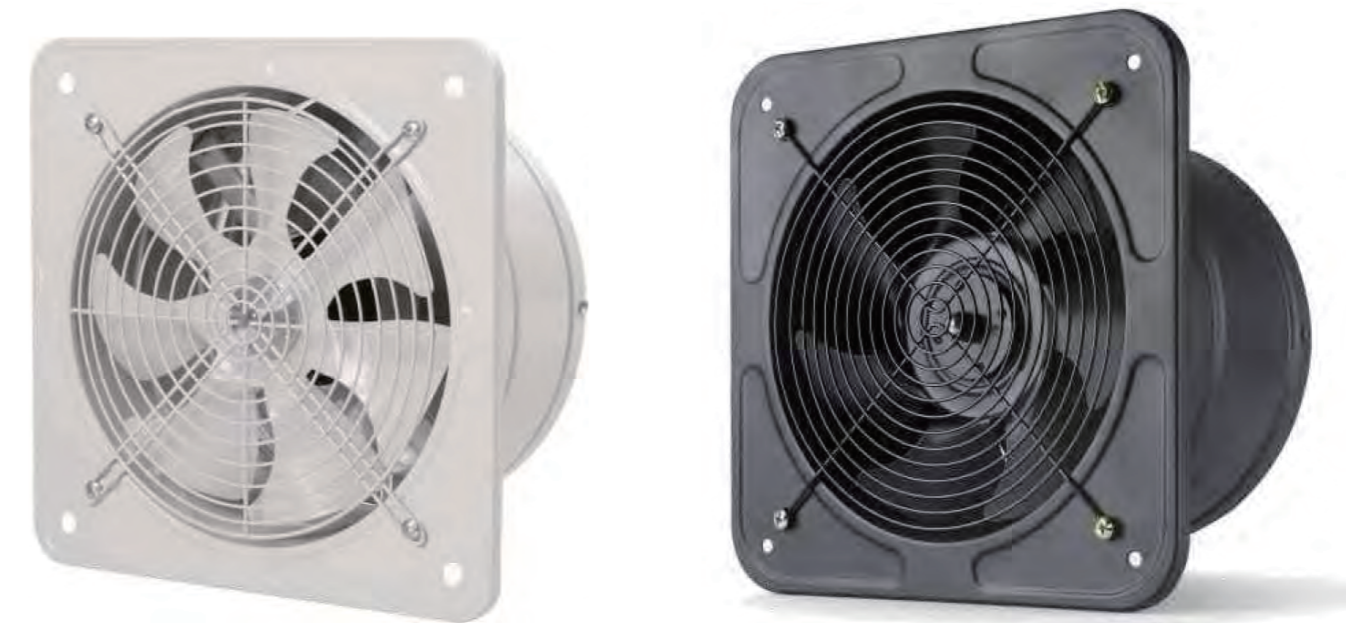


Model	A (cm)	B (cm)	Screw hole pitch(cm)	Overall thickness(cm)	Blade diameter(cm)	Outer frame dimensions(cm)	Opening dimensions(cm)
LWEA250(10")SM-140	4.5	6	28.5	19	250	32×32	27.5
LWEA300(12")SM-141	4.5	6	33.5	19	300	35.5×35.5	32.5
LWEA350(14")SM-142	6	6	38.5	21.5	350	41×41	37.5
LWEA400(16")SM-143	8	6	44	30	400	48.5×48.5	43
LWEA500(20")SM-144	9	6	55	30	500	60×60	53

### Technical Parameters

Model	Power (w)	Speed (r/min)	Air Volume (m³/h)	Noise (dBA)	Voltage (V)
LWEA250(10")SM-140	42	1400	1100	52	220
LWEA300(12")SM-141	52	1400	1470	55	220
LWEA350(14")SM-142	70	1400	1500	59	220
LWEA400(16")SM-143	170	1400	3000	64	220
LWEA500(20")SM-144	350	1400	5100	70	220

## High Speed Metal Exhaust Fan



- 100% pure copper wire motor
- Full metal body, metal 7 blades
- Powerful airflow with low noise
- Front square panel with arill, and round backside duct with valve

### Technical Parameters

Model	Voltage (V)	Frequency (Hz)	Power (W)	Volume (m³/min)	Speed (RPM)	Package size (cm)
LWEA100(4")S(U)M-128	110~120 220~240	50/60	20	5.3	1800	73x29x23(20pcs)
LWEA150(6")S(U)M-129		50/60	28	14	2200	42x42x37(8pcs)
LWEA200(8")S(U)M-130		50/60	40	19	2400	53x53x37(8pcs)
LWEA250(10")S(U)M-131		50/60	45	33	2600	68x34x37(4pcs)
LWEA300(12")S(U)M-132		50/60	50	45	2600	74x38x47(4pcs)

## Heavy Duty Exhaust Fan



- 100% pure copper wire motor
- Full metal body, metal fan blade
- Powerful airflow with low noise
- Optional for front grill



### Technical Parameters

Model	Voltage (V)	Frequency (Hz)	Power (W)	Volume (m³/min)	Speed (RPM)	Noise (dBA)
LWEA300(12")S(U)M-133	110~120 220~240	50/60	180	35	1400	60
LWEA400(16")S(U)M-134		50/60	250	65	1400	64
LWEA450(18")S(U)M-135		50/60	350	95	1400	65
LWEA600(24")S(U)M-136		50/60	800	200	1400	68

## Tobacco Specific Axial Fan Bake

### Brief Introduction

Tobacco baking special fan is special designed for tobacco Leaf flue—curing.the insulation class of which motor is class F and class H,it has remarkable characteristics of high temperature resistance,high humidity resistance, high efficiency,large air quality low noise,energy saving etc.,the fans is used by six panels arc aluminum blades.the angle of can be adjusted the air volume according to the clients' requirements. It is extensive operated in the high ltemperature / humidily places of tobacco Leaf flue—curing wood drying kiln.



### Stand Form

- 1.Rated voltage: 220V, 220/440V,220/380/660V  
230/400/690V,240/415/720V
- 2.Rated frequency: 50Hz/60Hz
- 3.Working Method: continuous(S1)running
- 4.Cooling Method: IC41 1
- 5.Protection Class: IP54/IP55
- 6.Insulation Class: Class F(120℃), Class H(180℃)

### Applied Conditions

Max. Ambient Temp: <130℃, Relative humidity: ≤ 98%, In the ambient of weak acid, weak alkali, vapor and no flammable gas,the motor can be also used in the vacuum drying equipment according to the specific conditions.

### Technical Parameters

Model	Power (kw-P)	Speed (r/min)	Air volume (m³/h)	Total pressure (Pa)	Noise (dBA)	Inner diameter (mm)	Outer diameter (mm)
LWEA300M-145	0.37-2	2900	2400	194	≤68	300	360
LWEA400M-146	1.1-2	2900	6500	353	≤75	400	460
LWEA500M-147	0.55-4	1450	4500	120	≤69	500	560
LWEA560M-148	0.75-4	1450	8500	160	≤79	560	620
LWEA600M-149	1.1-4	1450	12800	175	≤76	600	660
LWEA700M-150	1.5-4	1450	17500	200	≤78	700	760
LWEA800M-151	2.2-4	1450	27000	260	≤81	800	860
LWEA800M-152	3-4	1450	30000	260	≤82	800	860
LWEA800M-153	4-4	1450	32000	310	≤86	800	860
LWEA1000M-154	5.5-4	1450	40500	390	≤88	1000	1060

# Explosion-proof Axial Fan

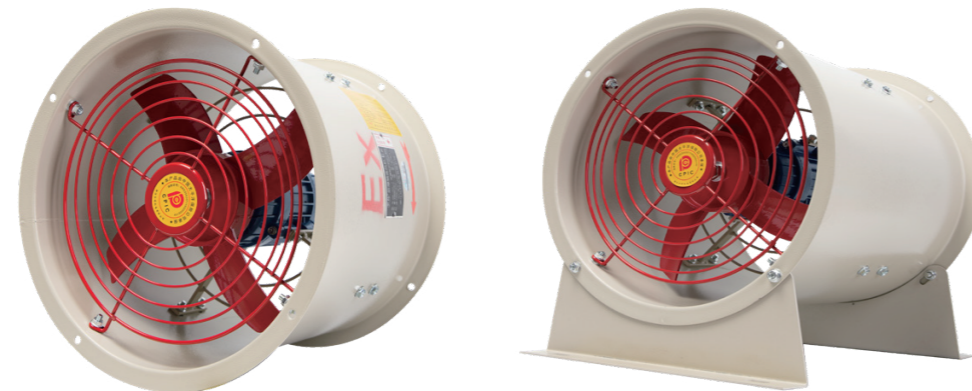
## Product Characteristic

This series of products consists of explosion-proof motors, impellers, wind tubes, etc. The impellers are casted with aluminum alloy, and the wind tubes are welded with steel plates and profiles, then surface treated with high-voltage electrostatic spraying. Steel pipe wiring or cable wiring can be used for power supply leads, with grounding screws outside the housing. It has the characteristics of low noise, low energy consumption, and excellent performance. The CBF explosion-proof exhaust fan can be divided into pipeline axial flow fan, fixed explosion-proof axial flow fan, and post-type explosion-proof axial flow fan according to the installation method.



## Usage conditions

1. Hazardous locations with explosive gas mixtures: Zone 1, Zone 2
2. Explosive gas mixtures: IIA, IIB
3. Ambient temperature: -20~+40 °C
4. Relative humidity: <95% (+25 °C)
5. Places without heavy corrosion or significant dust
6. Operating voltage: 220/380V, 50Hz

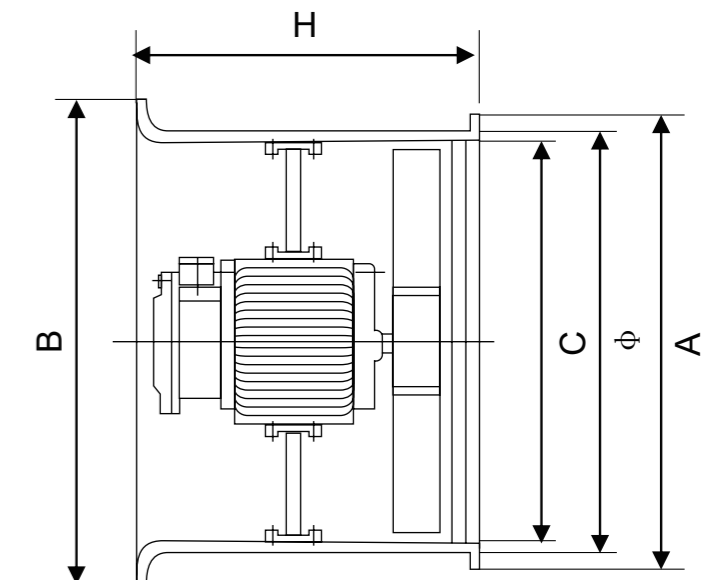
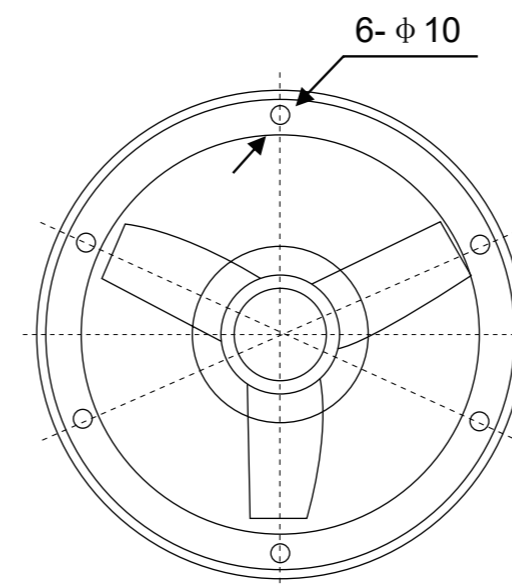


## Parameter table

Model	Impeller diameter(mm)	Power (kw)	Air Volume (m³/h)	Spindle speed(r³/min)	Voltage (V)	Explosion-proof marking	Protection class	Inlet thread	Wire outer diameter(Ømm)
LWEAF300-01	300	0.18	2280	1450	220/380	ExdII BT4	IP55	3/4	10~14
LWEAF400-01	400	0.37	2880	1450	220/380	ExdII BT4	IP55	3/4	10~14
LWEAF500-01	500	0.55	5700	1450	220/380	ExdII BT4	IP55	3/4	10~14
LWEAF600-01	600	0.75	8700	1450	220/380	ExdII BT4	IP55	3/4	10~14
LWEAF700-01	700	1.1	10200	1450	380	ExdII BT4	IP55	3/4	10~14
LWEAF750-01	750	1.5	10500	1450	380	ExdII BT4	IP55	3/4	10~14

## Installation and usage

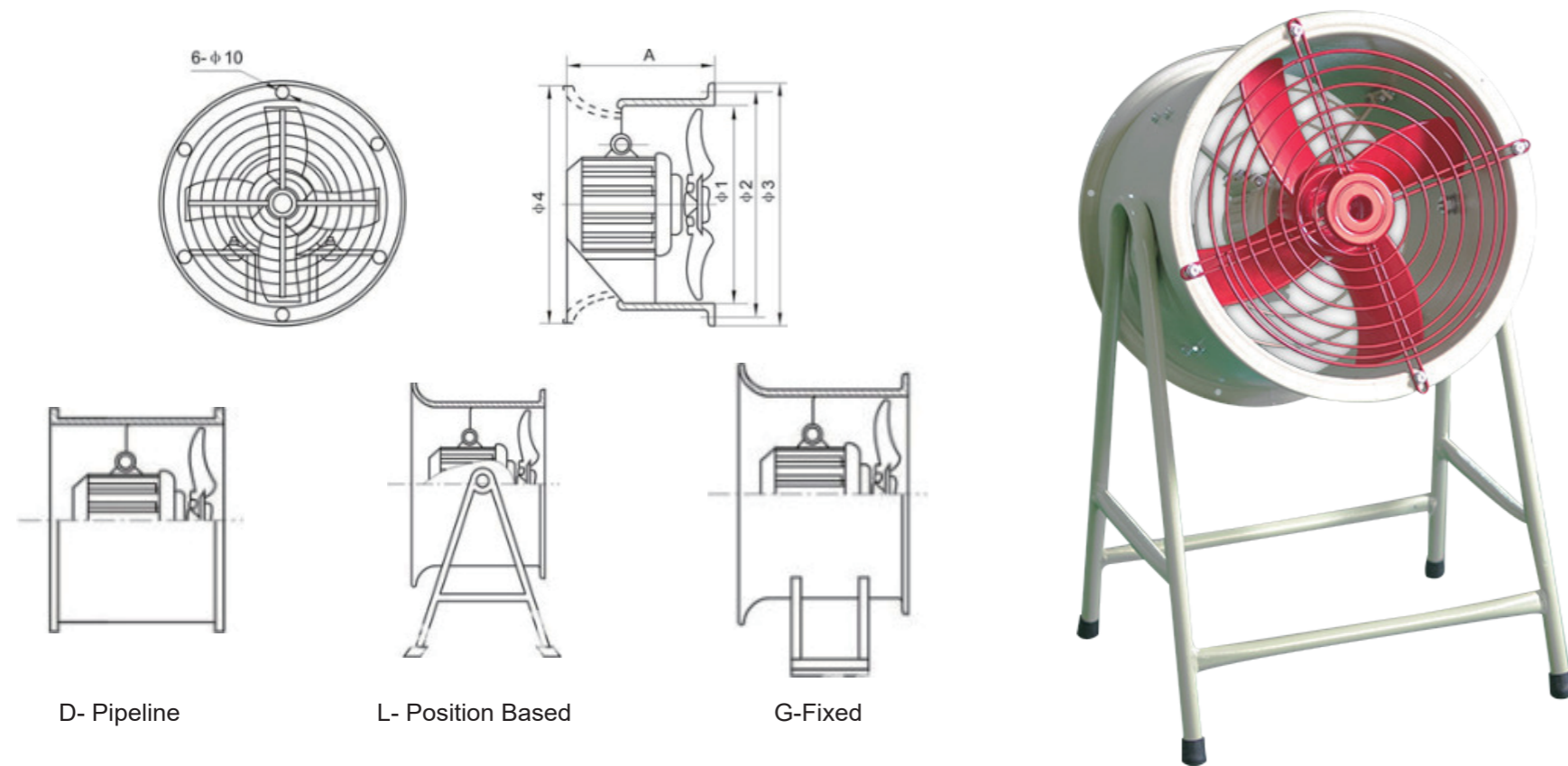
- Before installation, check whether the basic data listed on the product nameplate matches the actual use conditions.
- The product should be reliably grounded.
- Regardless of the type of cable used, the sealing ring of the inlet device must be pressed tight.
- During installation and maintenance, ensure that the clearance between the phases in the wire chamber is not less than 8mm, and the creepage distance is not less than 10mm.
- When maintenance is required, cut off the power supply to the front stage and open the cover.
- During installation and maintenance, protect the flameproof surface and apply 204-1 rust preventive oil.
- The sealing ring of the inlet device is made of oil-resistant rubber 301, which has a certain Shore hardness. If users find it aging during use or maintenance, they should contact the company for purchase and replacement in a timely manner to ensure explosion-proof performance.



## Parameter table

Model	A	B	C	Ø	H	Mounting hole	Remark
LWEAF300-01	355	365	355	312	310	4-Ø7.5	/
LWEAF400-01	455	470	435	412	310	4-Ø7.5	/
LWEAF500-01	555	572	535	512	325	4-Ø7.5	/
LWEAF600-01	655	670	630	610	325	4-Ø7.5	/
LWEAF700-01	766	766	738	710	397	4-Ø7.5	double flange on both sides
LWEAF750-01	808	808	778	750	397	4-Ø7.5	double flange on both sides

# Explosion-proof Axial Fan



Model	A	Φ1	Φ2	Φ3	Installation hole
LWEA280S(T)M	290	290	310	330	Φ8
LWEA315S(T)M	315	317	340	36	Φ8
LWEA355S(T)M	315	365	390	410	Φ8
LWEA400S(T)M	315	410	430	450	Φ8
LWEA450S(T)M	315	460	480	50	Φ8
LWEA500TM	355	510	535	56	Φ8
LWEA560TM	355	565	595	615	Φ8
LWEA630TM	460	610	635	655	Φ10
LWEA710TM	520	710	740	765	Φ10
LWEA800TM	520	810	845	875	Φ10
LWEA900TM	640	910	945	975	Φ12
LWEA1000TM	640	1010	1045	1075	Φ12
LWEA1120TM	750	1120	1155	1190	Φ12

## Technical Parameters

Model	Impeller diameter (mm)	Power (KW)	Speed (r/min)	Air volume (m³/h)	Air pressure (Pa)	Voltage (V)	Explosion-Proof Sign
LWEA280S(T)M-155E	280	0.18	1450	1605	60	220/380	Exd II BT4
LWEA280S(T)M-156E	280	0.25	2900	3202	232	220/380	Exd II BT4
LWEA315S(T)M-157E	315	0.25	1450	2273	74	220/380	Exd II BT4
LWEA315S(T)M-158E	355	0.37	2900	4545	373	220/380	Exd II BT4
LWEA355S(T)M-159E	355	0.37	1450	3265	93	220/380	Exd II BT4
LWEA355S(T)M-160E	355	0.75	2900	6542	373	220/380	Exd II BT4
LWEA400S(T)M-161E	400	0.55	1450	4687	119	220/380	Exd II BT4
LWEA400S(T)M-162E	400	1.1	2900	9336	474	220/380	Exd II BT4
LWEA450S(T)M-163E	450	0.55	1450	6658	150	220/380	Exd II BT4
LWEA500TM-164E	500	0.75	1450	9133	185	380	Exd II BT4
LWEA560TM-165E	560	1.1	1450	12812	232	380	Exd II BT4
LWEA560TM-166E	560	1.1	960	8471	110	380	Exd II BT4
LWEA630TM-167E	600	1.5	1450	18250	294	380	Exd II BT4
LWEA710TM-168E	710	3	1450	26120	373	380	Exd II BT4
LWEA800TM-169E	800	4	1450	37370	474	380	Exd II BT4
LWEA800TM-170E	800	2.2	960	24739	208	380	Exd II BT4
LWEA1000TM-171E	1000	4	960	48326	321	380	Exd II BT4

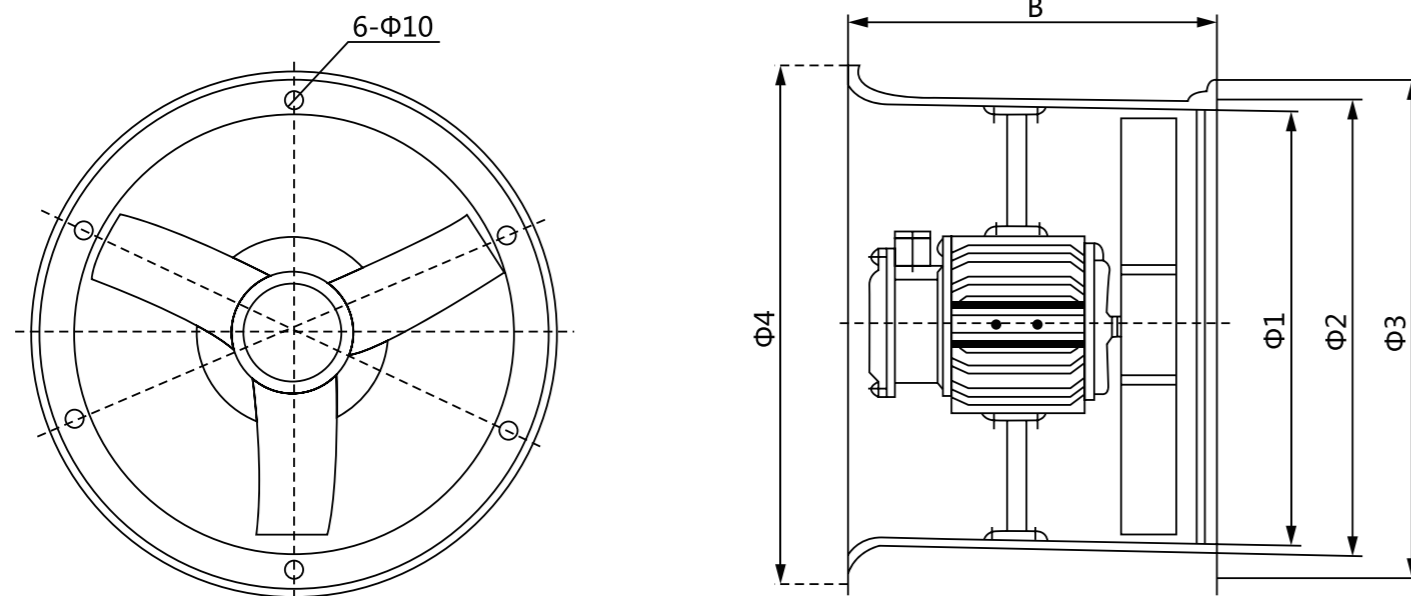
# Flameproof Axial Flow AC Exhaust Fan

## Scope Of Application And Use

This series of products are suitable for II B level T4 group and the following groups of explosive gas mixture (zone 1 and 2) places, as workshop, warehouse ventilation or strengthen HVAC. The working conditions of this series of products are: A site of AC 50HZ, voltage 220/380V without severe corrosion and significant dust. This series of products can also be added mounting racks according to user requirements. This series of products meet the requirements of explosion-proof mark Exd II BT4.



## Outline Dimension Drawing



Model	B	Φ1	Φ2	Φ3	Φ4
LWEA300S(T)M-067E	315	310	330	350	380
LWEA400S(T)M-068E	315	410	400	450	485
LWEA500S(T)M-069E	315	510	530	550	585
LWEA600S(T)M-070E	315	610	630	650	685
LWEA700S(T)M-071E	350	710	735	765	790
LWEA750S(T)M-072E	350	760	785	815	840

## Structural Characteristics

This series of products are made of explosion-proof motor, blades, air duct, etc. The blades are made of high quality aluminum die-casting, the air duct is made of iron plate and profile processing and welding, the power lead is used for steel pipe wiring and cable, and the shell is equipped with ground screws.

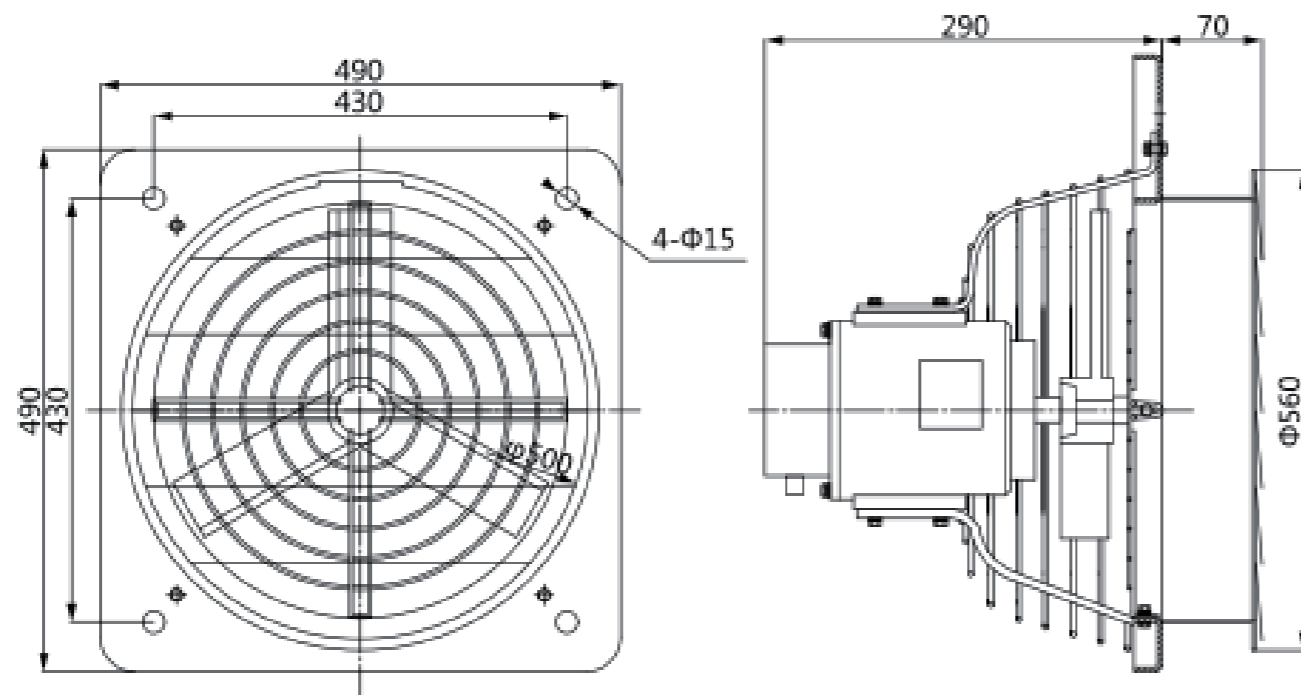
## Technical Parameters

Model	Diameter (mm)	Air Volume (m <sup>3</sup> /h)	Voltage (V)	Power (kw)	Angle	Cable OD/thread (mm/G <sup>2</sup> )	Speed (RPM)
LWEA300S(T)M-067E	300	2280	220/380	0.18	20°	Φ10~Φ4 3-4G	1450
LWEA400S(T)M-068E	400	2880		0.37	/		1450
LWEA500S(T)M-069E	500	5700		0.55	/		1450
LWEA600S(T)M-070E	600	8700		0.75	/		1450
LWEA700S(T)M-071E	700	10200		1.1	/		1450
LWEA750S(T)M-072E	750	10500		1.5	/		1450

# Flameproof Axial Flow AC Exhaust Fan

## Scope Of Application And Use

Flameproof axial flow AC exhaust fan is made into flameproof type according to GB3836.1 "General Requirements for explosion-proof Electrical Equipment for Explosive Environment" GB3836.2 "flameproof electrical equipment for Explosive environment flameproof electrical equipment 'd'". The explosion-proof mark is Exd II BT4, which is suitable for the environment of explosive gases in Class II, B and T4 groups. This product has reliable explosion-proof performance. Large air volume, small noise, power consumption and other advantages.



## Technical Parameters

Model	Diameter (mm)	Air Volume (m³/h)	Voltage (V)	Power (kw)	Speed (RPM)	Hole size (mm)
LWEA300S(T)M-073E	300	2200	220/380	0.12	1450	285x285
LWEA400S(T)M-074E	400	2400		0.18	1450	385x385
LWEA500S(T)M-075E	500	4900		0.25	1450	440x440
LWEA600S(T)M-076E	600	9500		0.37	1450	540x540