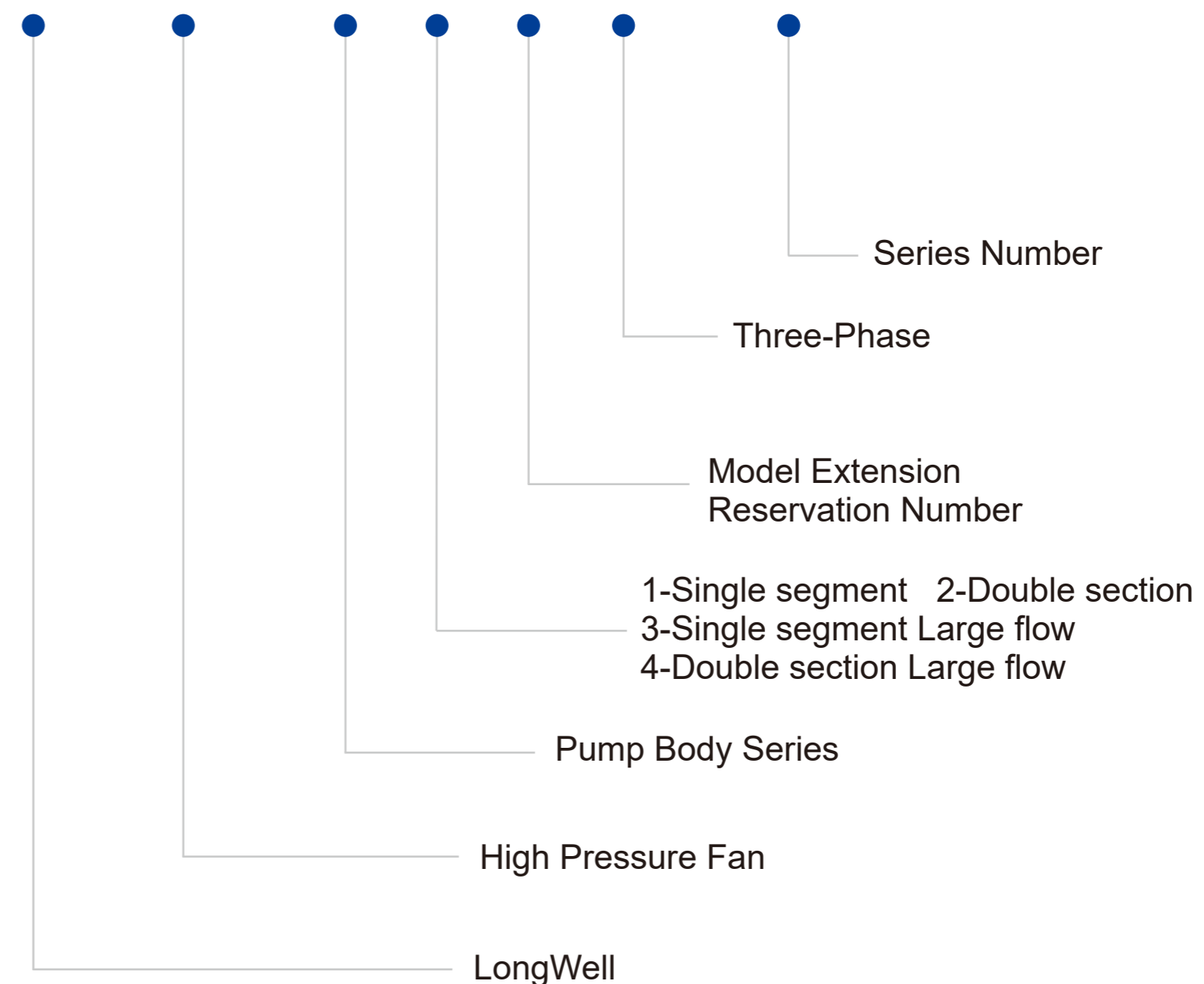


# Oxygen-increasing Air Blower

Professional HVAC Fan & Motors Manufacturer

## Type Code

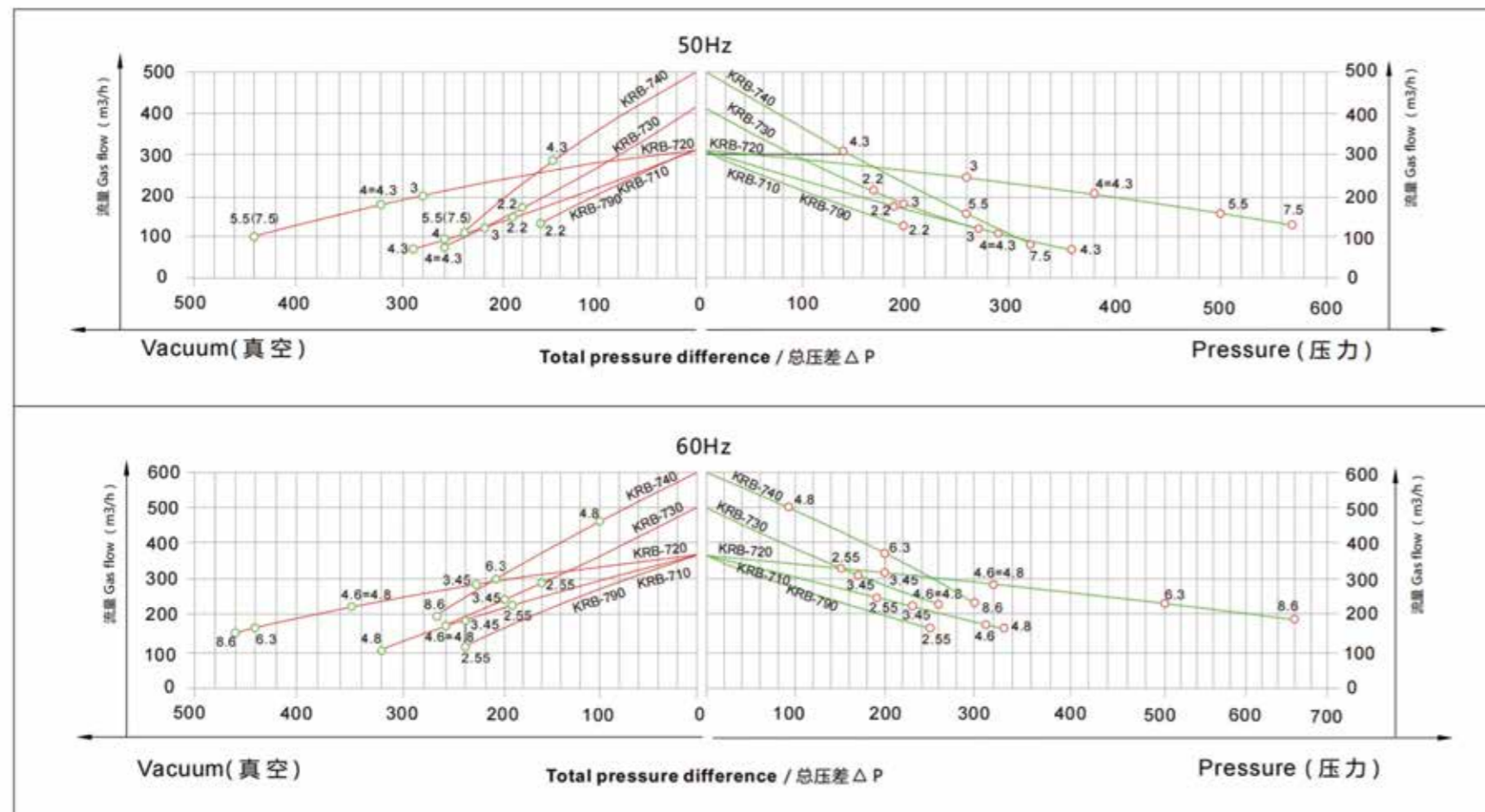
LW HPF - 7 1 0 S - 2



# Oxygen-increasing air blower



## Vacuum Compression Type Curve

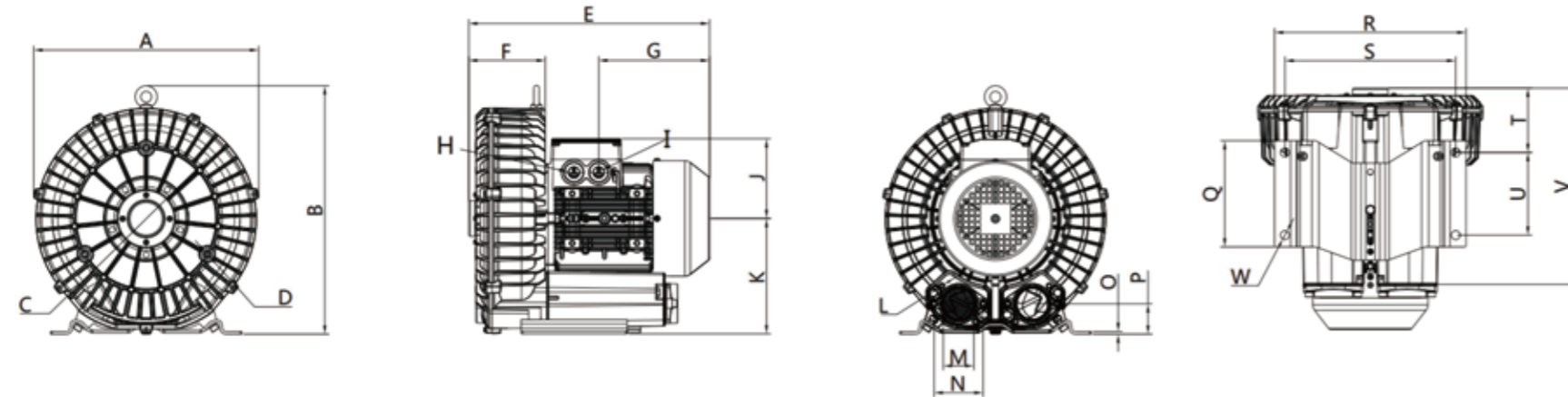


The performance curves are valid for pumping air at 15°C at the inlet flanges with an air pressure of 1.103 mbar of ±10%  
The total pressure differences are valid up to an intake and ambient of 25°C

Model	Single/Double	Frequency (Hz)	Power (KW)	Voltage (V)	Current (A)	Max Airflow (m³/h)	Rated Vacuum(mbar)	Rated Compress(mbar)	Noise dB(A)
LWHPF-710S-2	Single	50	2.2	220-240△ 345-415Y	9.7△ 5.6Y	318	-190	190	69
		60	2.55	220-275△ 380-480Y	10.3△ 6Y	376	-190	190	72
LWHPF-710S-3	Single	50	3	200-240△ 345-415Y	12.5△ 7.2Y	318	-260	270	69
		60	3.45	220-275△ 380-480Y	12.6△ 7.3Y	376	-240	230	72

Model	Single/Double	Frequency (Hz)	Power (KW)	Voltage (V)	Current (A)	Max Airflow (m³/h)	Rated Vacuum(mbar)	Rated Compress(mbar)	Noise dB(A)
LWHPF-710S-4	Single	50	4	345-415△ 600-720Y	9△ 5.2Y	318	-290	360	69
		60	4.6	380-480△ 660-720Y	9△ 5.5Y	376	-320	310	72
LWHPF-710S-5	Single	50	4.3	345-415△ 600-720Y	9.5△ 5.5Y	318	-295	335	69
		60	4.8	380-480△ 660-720Y	9.5△ 5.5Y	376	-335	335	72
LWHPF-720S-1	Double	50	3	200-240△ 345-415Y	12.5△ 7.2Y	320	-280	260	73
		60	3.45	220-275△ 380-480Y	12.6△ 7.3Y	380	-230	200	76
LWHPF-720S-2	Double	50	4	345-415△ 600-720Y	9△ 5.2Y	320	-335	375	73
		60	4.6	380-480△ 660-720Y	9.4△ 5.2Y	380	-345	315	76
LWHPF-720S-3	Double	50	4.3	345-415△ 600-720Y	10△ 5.2Y	320	-360	380	73
		60	4.8	380-480△ 660-720Y	10.4△ 6Y	380	-350	320	76
LWHPF-720S-4	Double	50	5.5	345-415△ 600-720Y	13.3△ 7.7Y	320	-440	500	73
		60	6.3	380-480△ 660-720Y	13.3△ 7.7Y	380	-440	500	76
LWHPF-720S-5	Double	50	7.5	345-415△ 600-720Y	16.7△ 9.6Y	320	-440	570	73
		60	8.6	380-480△ 660-720Y	17.3△ 10Y	280	-460	660	76
LWHPF-730S-2	Single	50	2.2	200-240△ 345-415Y	8.8△ 5.1Y	420	-180	170	70
		60	2.55	220-275△ 380-480Y	9.7△ 5.6Y	500	-160	150	73
LWHPF-730S-3	Single	50	3	200-240△ 345-415Y	12.5△ 7.2Y	420	-220	200	70
		60	3.45	220-275△ 380-480Y	12.6△ 7.3Y	500	-200	170	73
LWHPF-730S-4	Single	50	4	345-415△ 600-720Y	9△ 5.2Y	420	-260	280	70
		60	4.6	380-480△ 660-720Y	9△ 5.2Y	500	-260	260	73
LWHPF-730S-5	Single	50	4.3	345-415△ 600-720Y	9.5△ 5.5Y	420	-260	280	70
		60	4.8	380-480△ 660-720Y	9.5△ 5.5Y	500	-260	260	73
LWHPF-740S-1	Double	50	4.3	345-415△ 600-720Y	9△ 5.2Y	500	-150	140	74
		60	4.8	380-480△ 660-720Y	9△ 5.2Y	600	-100	90	78
LWHPF-740S-2	Double	50	5.5	345-415△ 600-720Y	13.3△ 7.7Y	500	-240	260	74
		60	6.3	380-480△ 660-720Y	13.3△ 7.7Y	600	-210	200	78
LWHPF-740S-3	Double	50	7.5	345-415△ 600-720Y	16.7△ 9.6Y	500	-240	320	74
		60	8.6	380-480△ 660-720Y	17.3△ 10Y	600	-270	300	78
LWHPF-790S-1	Single	50	2.2	200-240△ 345-415Y	12.5△ 7.2Y	320	-160	200	69
		60	2.55	220-275△ 380-480Y	12.6△ 7.3Y	370	-240	250	72

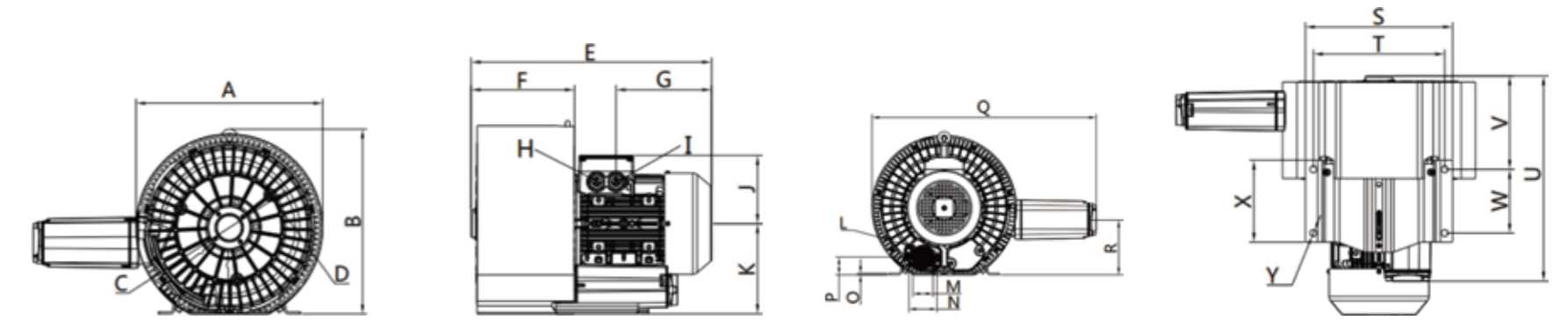
### Single Stage Mounting Dimensions



Model	Phase	A	B	C	D	E	F	G	H	I	J	K
LWHPF-710S-2	3~	382	420	240	M10x20	377	130	190	M16X1.5	M25X1.5	128	195
LWHPF-710S-3	3~	382	420	240	M10x20	409	130	188	M32X1.5	M32X1.5	135	195
LWHPF-710S-4	3~	382	420	240	M10x20	446	130	225	M32X1.5	M32X1.5	135	195
LWHPF-710S-5	3~	382	420	240	M10x20	430	130	209	M32X1.5	M32X1.5	148	195
LWHPF-730S-2	3~	382	420	240	M10x20	387	140	191	M16X1.5	M25X1.5	128	195
LWHPF-730S-3	3~	382	420	240	M10x20	418	140	188	M32X1.5	M32X1.5	135	195
LWHPF-730S-4	3~	382	420	240	M10x20	455	140	225	M32X1.5	M32X1.5	135	195
LWHPF-730S-5	3~	382	420	240	M10x20	439	140	209	M32X1.5	M32X1.5	148	195
LWHPF-790S-2	3~	382	420	240	M10x20	387	130	191	M16X1.5	M25X1.5	128	195
LWHPF-710S-2	3~	382	420	240	M10x20	404	130	217	M16X1.5	M25X1.5	128	195

Model	L	M	N	O	P	Q	R	S	T	U	V	W
LWHPF-710S-2	M8X17	G2	83	4.5	51	180	325	290	109	140	355	15
LWHPF-710S-3	M8X17	G2	83	4.5	51	180	325	290	109	140	355	15
LWHPF-710S-4	M8X17	G2	83	4.5	51	180	325	290	109	140	355	15
LWHPF-710S-5	M8X17	G2	83	4.5	51	180	325	290	109	140	355	15
LWHPF-730S-2	M8X17	G2	83	4.5	51	180	325	290	118	140	364	15
LWHPF-730S-3	M8X17	G2	83	4.5	51	180	325	290	118	140	364	15
LWHPF-730S-4	M8X17	G2	83	4.5	51	180	325	290	118	140	364	15
LWHPF-730S-5	M8X17	G2	83	4.5	51	180	325	290	118	140	364	15
LWHPF-790S-2	M8X17	G2	83	4.5	51	180	325	290	118	140	355	15
LWHPF-710S-2	M8X17	G2	83	4.5	51	180	325	290	109	140	355	15

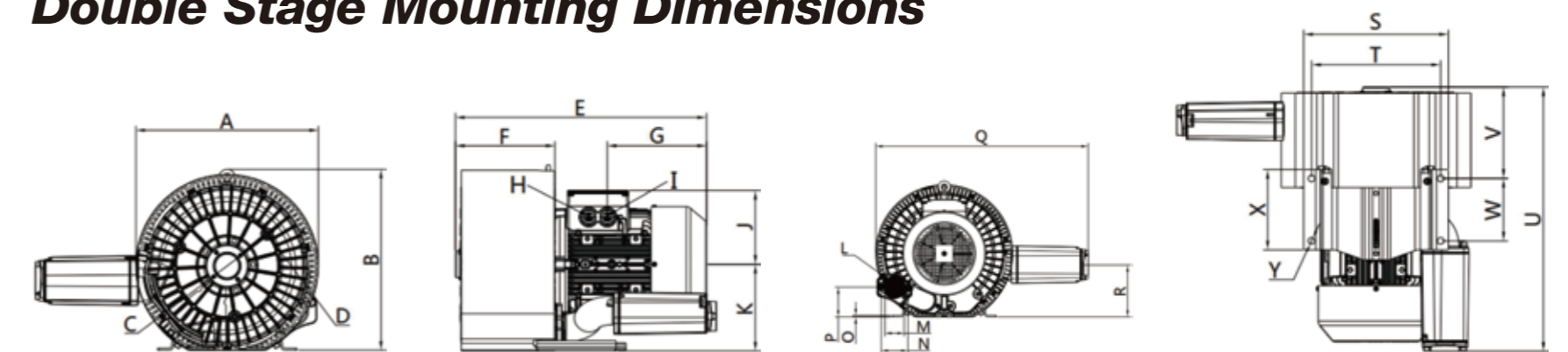
### Double Stage Mounting Dimensions



Model	Phase	A	B	C	D	E	F	G	H	I	J	K
LWHPF-720S-1	3~	426	420	240	M10x20	505	226	188	M32X1.5	M32X1.5	135	195
LWHPF-720S-2	3~	426	420	240	M10x20	541	226	188	M32X1.5	M32X1.5	135	195
LWHPF-720S-3	3~	426	420	240	M10x20	526	226	209	M32X1.5	M32X1.5	148	195

Model	L	M	N	O	P	Q	R	S	T	U	V	W
LWHPF-720S-1	M8X17	G2	83	4.5	51	661	161	325	290	451	205	15
LWHPF-720S-2	M8X17	G2	83	4.5	51	661	161	325	290	451	205	15
LWHPF-720S-3	M8X17	G2	83	4.5	51	661	161	325	290	451	205	15

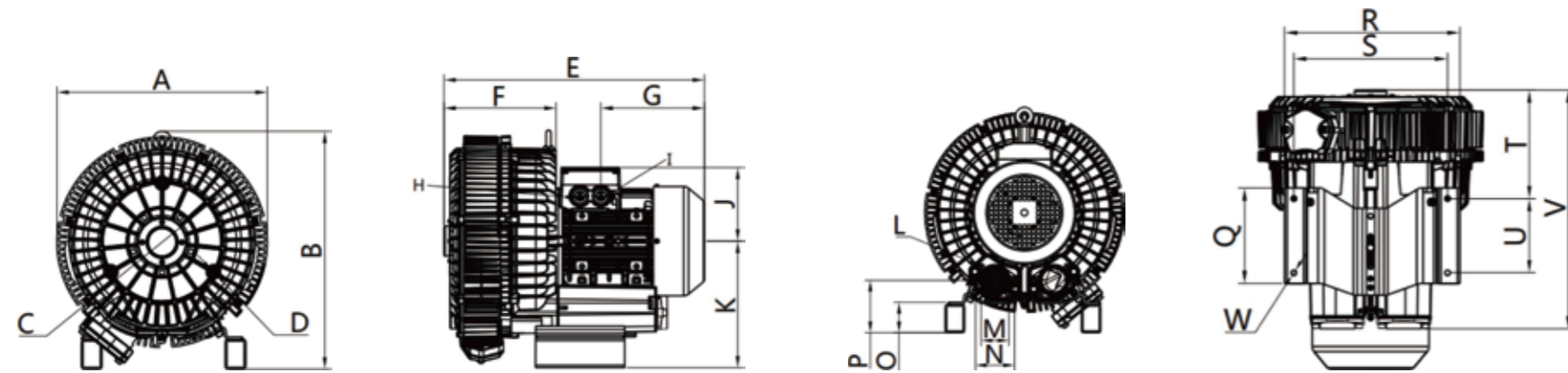
### Double Stage Mounting Dimensions



Model	Phase	A	B	C	D	E	F	G	H	I	J	K
LWHPF-720S-4	3~	426	420	240	M10x20	571	226	226	M32X1.5	M32X1.5	167	196
LWHPF-720S-5	3~	426	420	240	M10x20	571	226	226	M32X1.5	M32X1.5	167	196

Model	L	M	N	O	P	Q	R	S	T	U	V	W	X	Y
LWHPF-720S-4	M8X17	G2	83	4.5	92	638	161	325	290	593	205	140	180	15
LWHPF-720S-5	M8X17	G2	83	4.5	92	638	161	325	290	593	205	140	180	15

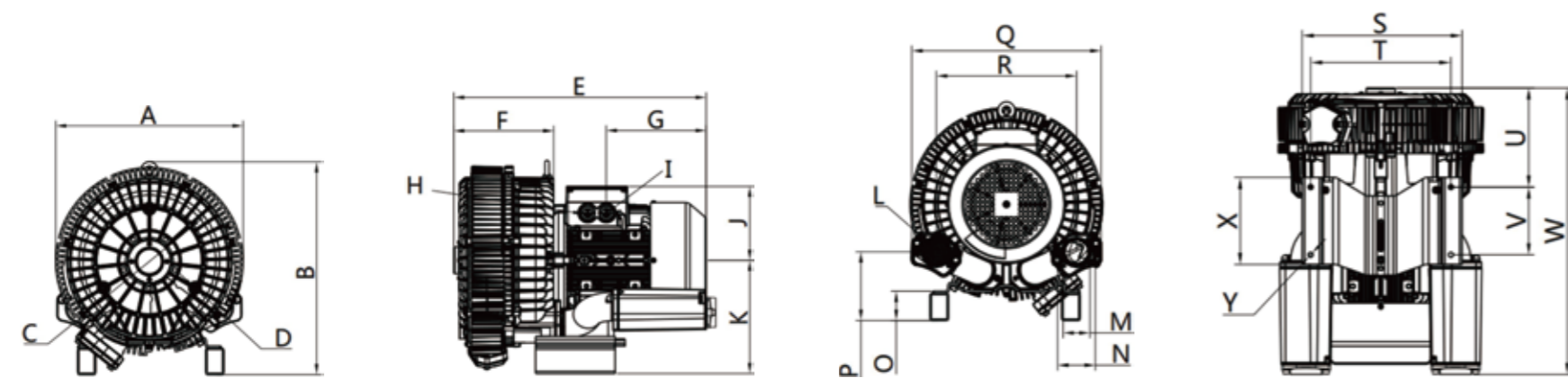
### Double Stage Mounting Dimensions



Model	Phase	A	B	C	D	E	F	G	H	I	J	K
LWHPF-740S-1	3~	424	480	240	M10x20	525	226	209	M32X1.5	M32X1.5	148	255

Model	L	M	N	O	P	Q	R	S	T	U	V	W
LWHPF-720S-1	M8X17	G2	83	65	111	180	331	290	205	140	450	15

### Double Stage Mounting Dimensions



Model	Phase	A	B	C	D	E	F	G	H	I	J	K
LWHPF-720S-2	3~	424	480	240	M12x20	571	226	226	M32X1.5	M32X1.5	167	255
LWHPF-720S-3	3~	424	480	240	M12x20	571	226	226	M32X1.5	M32X1.5	167	255

Model	L	M	N	O	P	Q	R	S	T	U	V	W	X	Y
LWHPF-720S-2	M8X17	G2	83	65	151	417	308	331	290	205	140	593	180	15
LWHPF-720S-3	M8X17	G2	83	65	151	417	308	331	290	205	140	593	180	15