



Website

Ningbo Longwell Electric Technology Co.,Ltd

TEL:+86 (574) 6218 9863

Whatsapp:+0086 18358274663

Fax:+86 18358274663

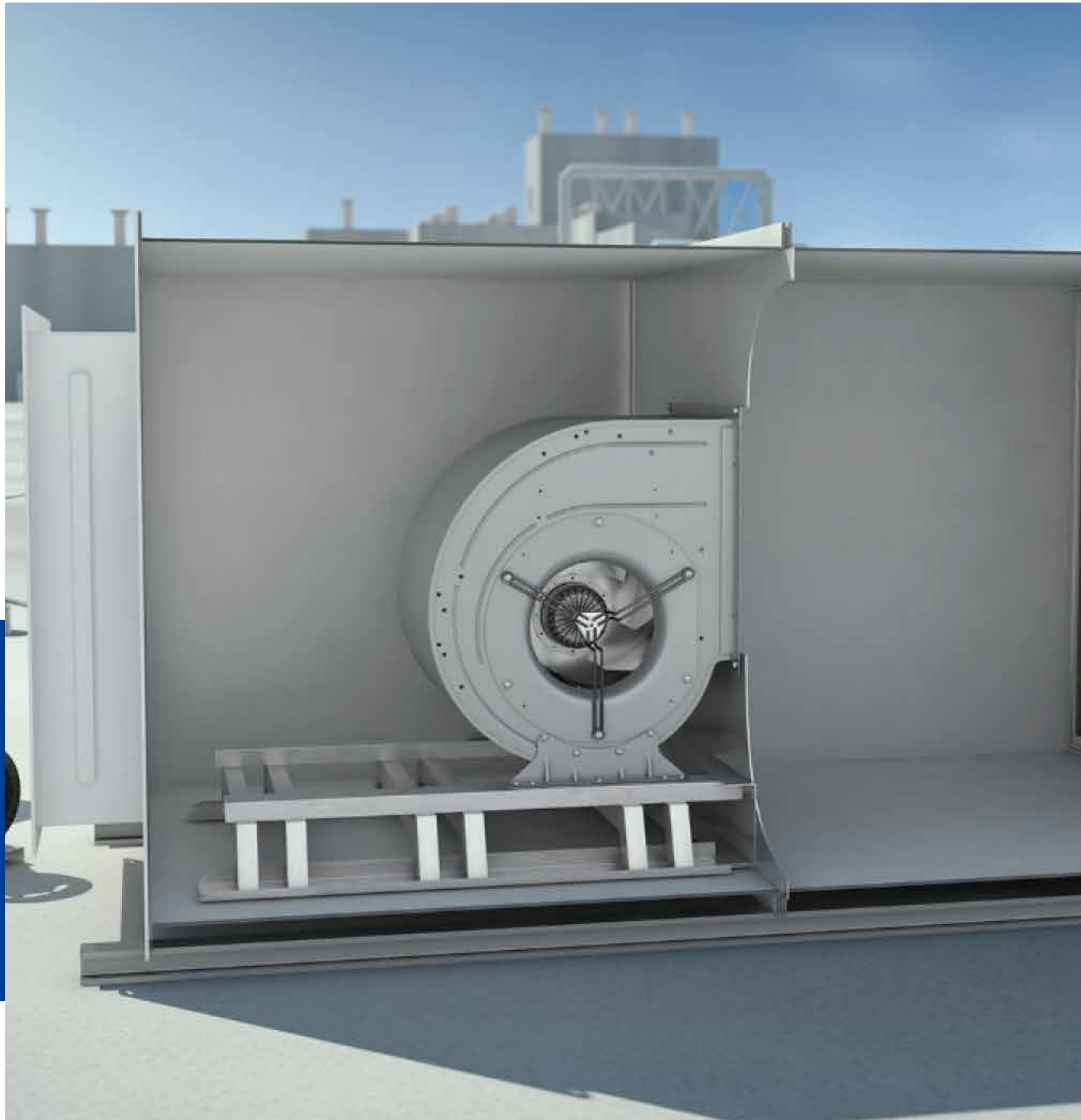
E-mail:sales@zjlongwell.com

Web:<https://www.longwellfans.com/>

Address:#NO.100 ,South of Xuxiang River ,Ditang District, Yuyao,Ningbo
Zhejiang Province,China 315400

***Professional HVAC Fan
& Motors Manufacturer***

— Centrifugal Blower



CATALOGUE

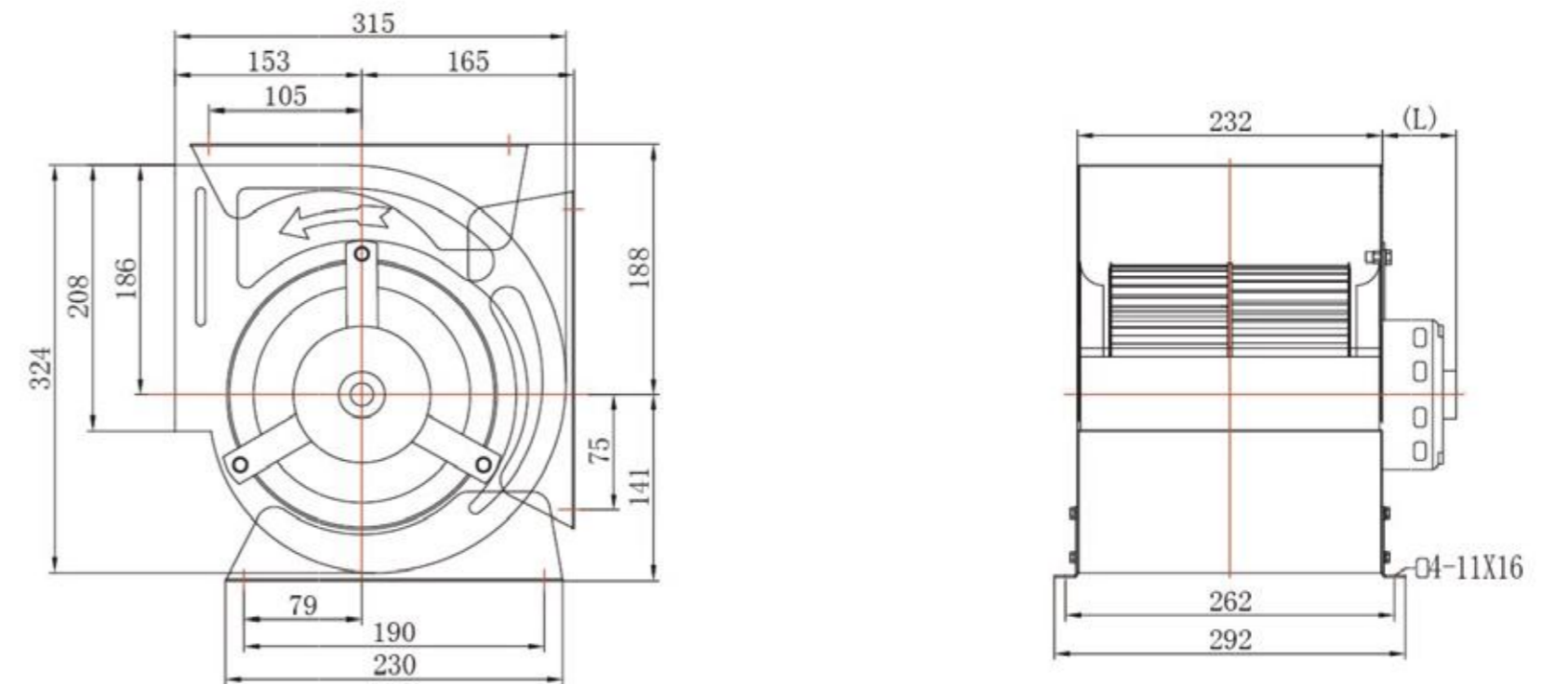
- 01-06 DD Series Centrifugal Blower
- 07-16 LWFA Series Centrifugal Blower
- 17-27 DD Series Centrifugal Blower(EC Motor)
- 28-48 ADH Series Centrifugal Blower
- 49-65 AT Series Centrifugal Blower
- 66-85 RDH Series Centrifugal Blower
- 86-102 RLM Series Centrifugal Blower

DD Series Centrifugal Blower

Professional HVAC Fan & Motors Manufacturer



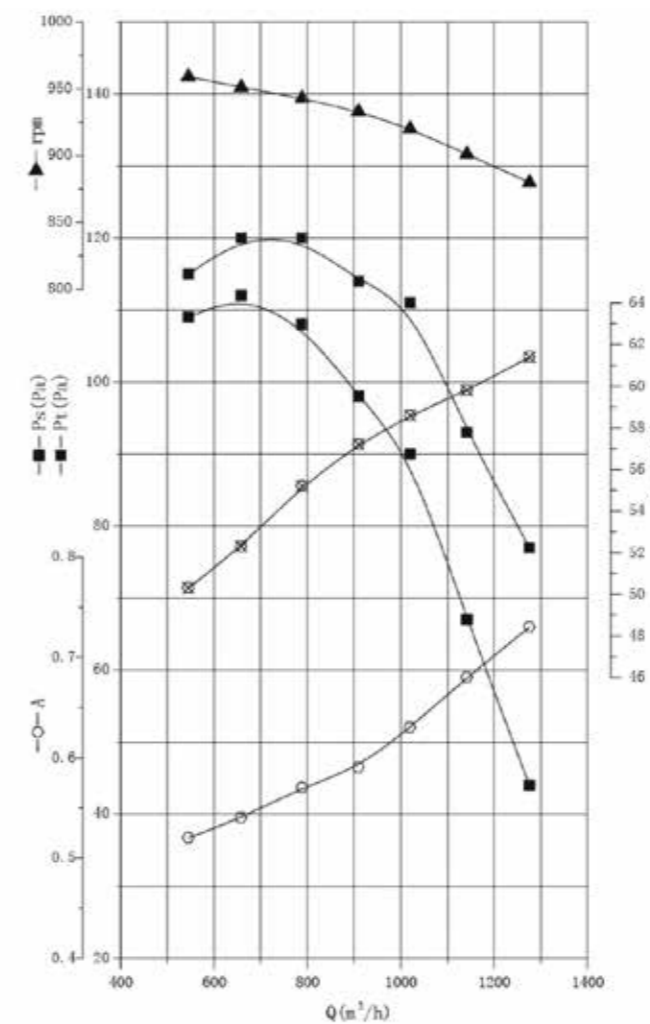
DD 7-7I Series



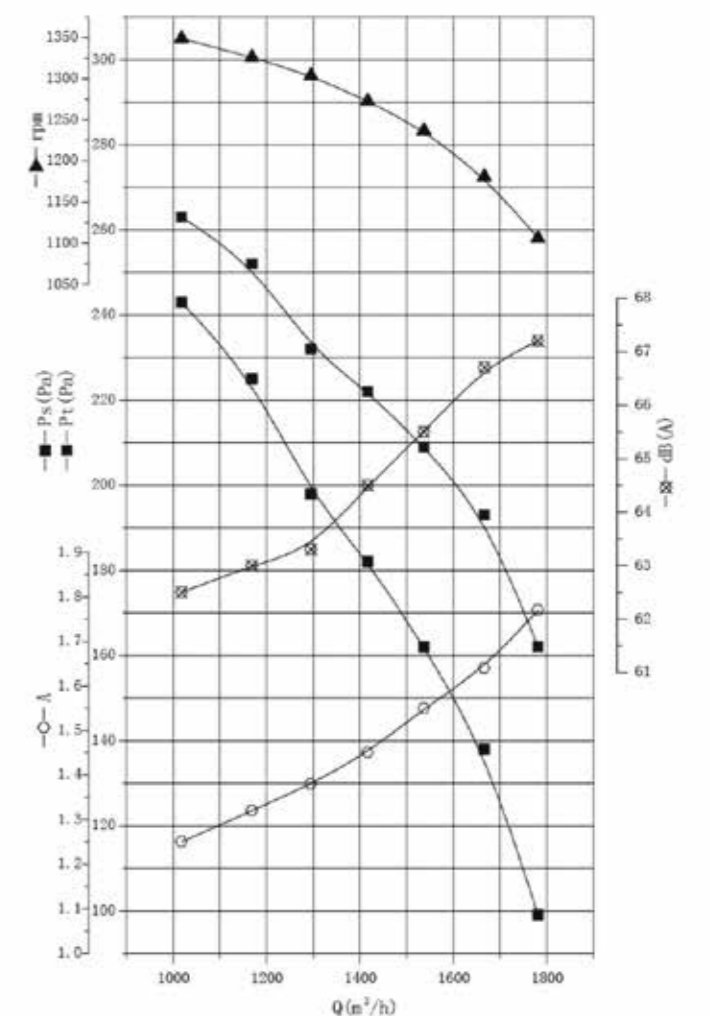
Technical Specifications

Motor	Power	Speed	Vol/Frequency	Current	L
90W-6	90W 6P	850RPM	230V/50Hz	0.9A	46
200W-4	200W 4P	1150RPM	230V/50Hz	1.8A	68

Flow Rate Curve

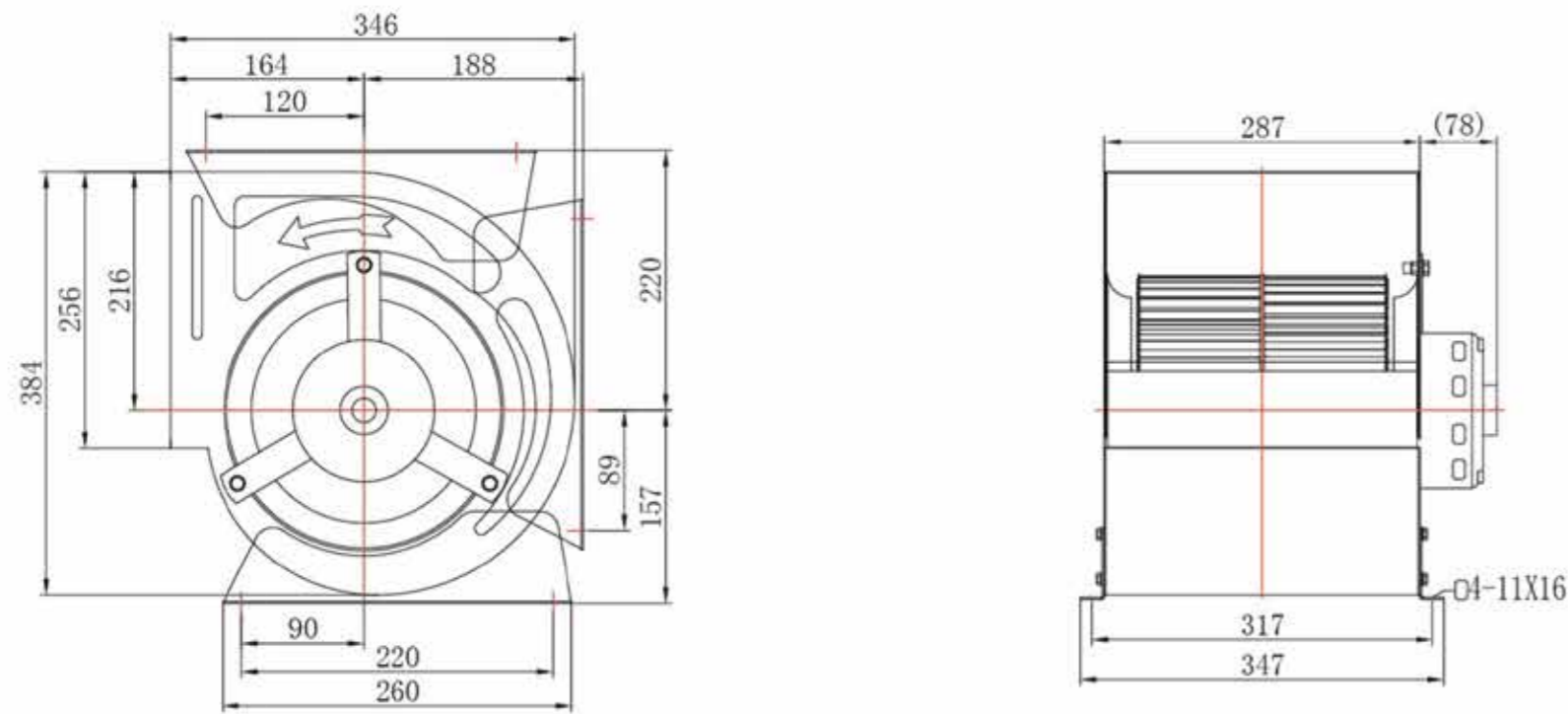


90W-6



200W-4

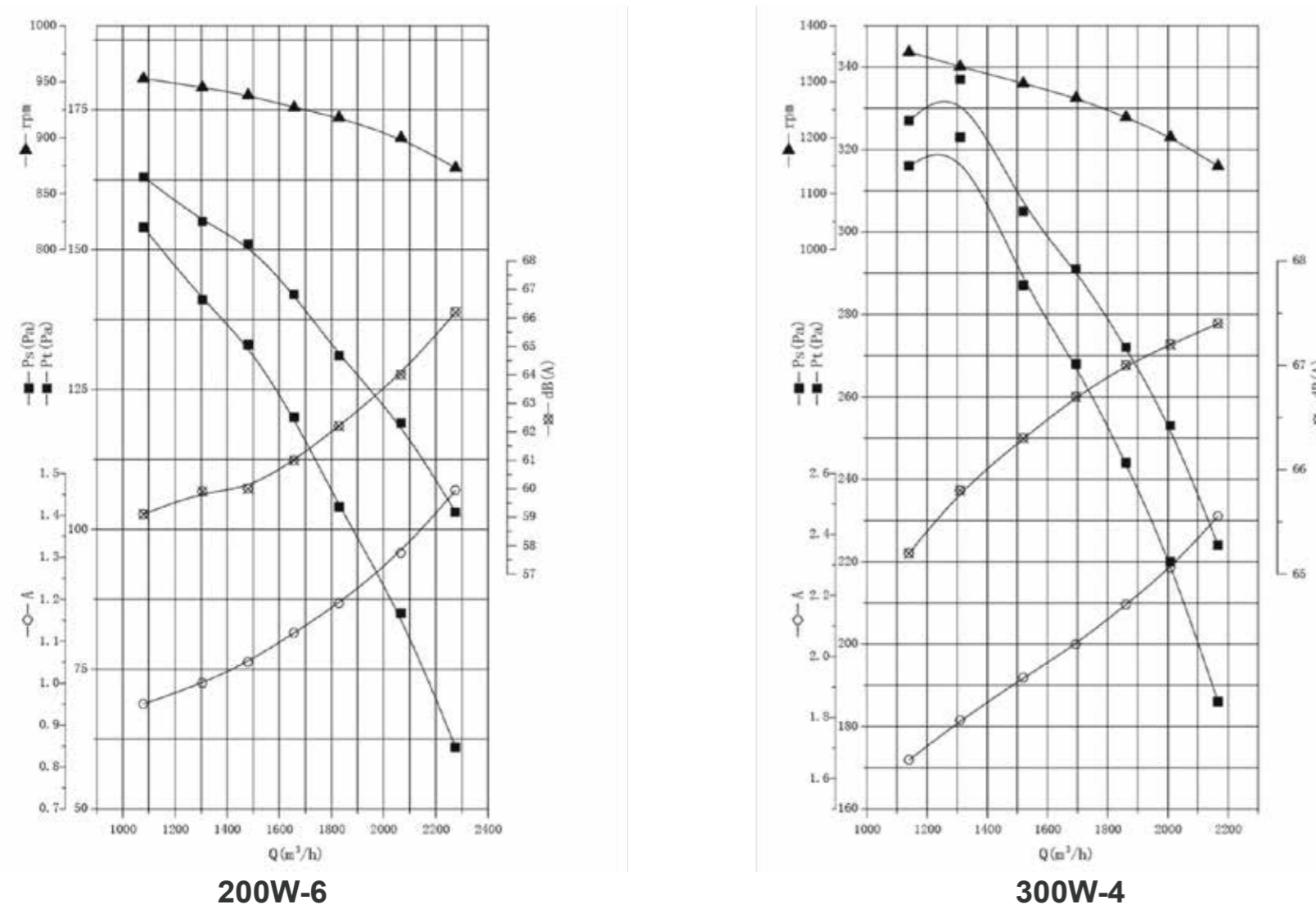
DD 8-8I Series



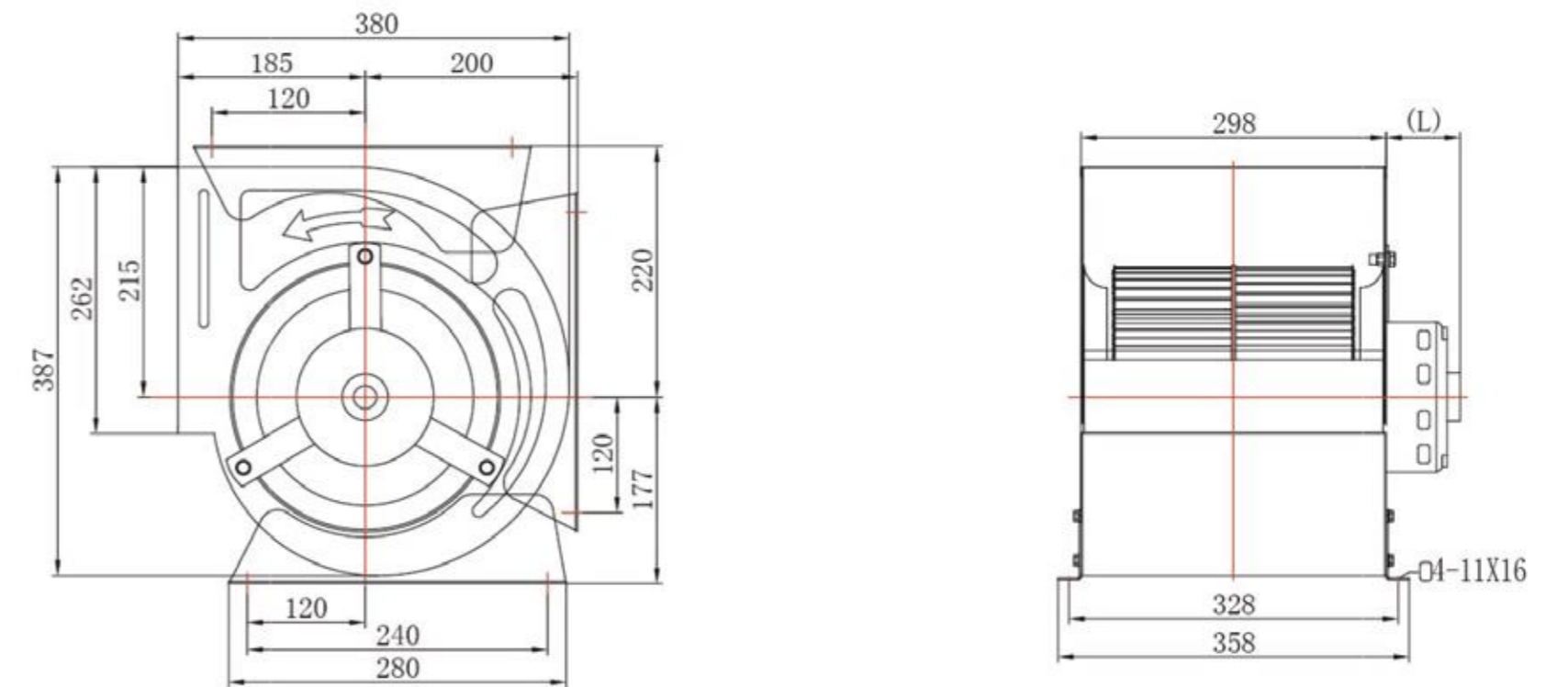
Technical Specifications

Motor	Power	Speed	Vol/Frequency	Current
200W-6	200W 6P	820RPM	230V/50Hz	2.0A
300W-4	300W 4P	1200RPM	230V/50Hz	3.0A

Flow Rate Curve



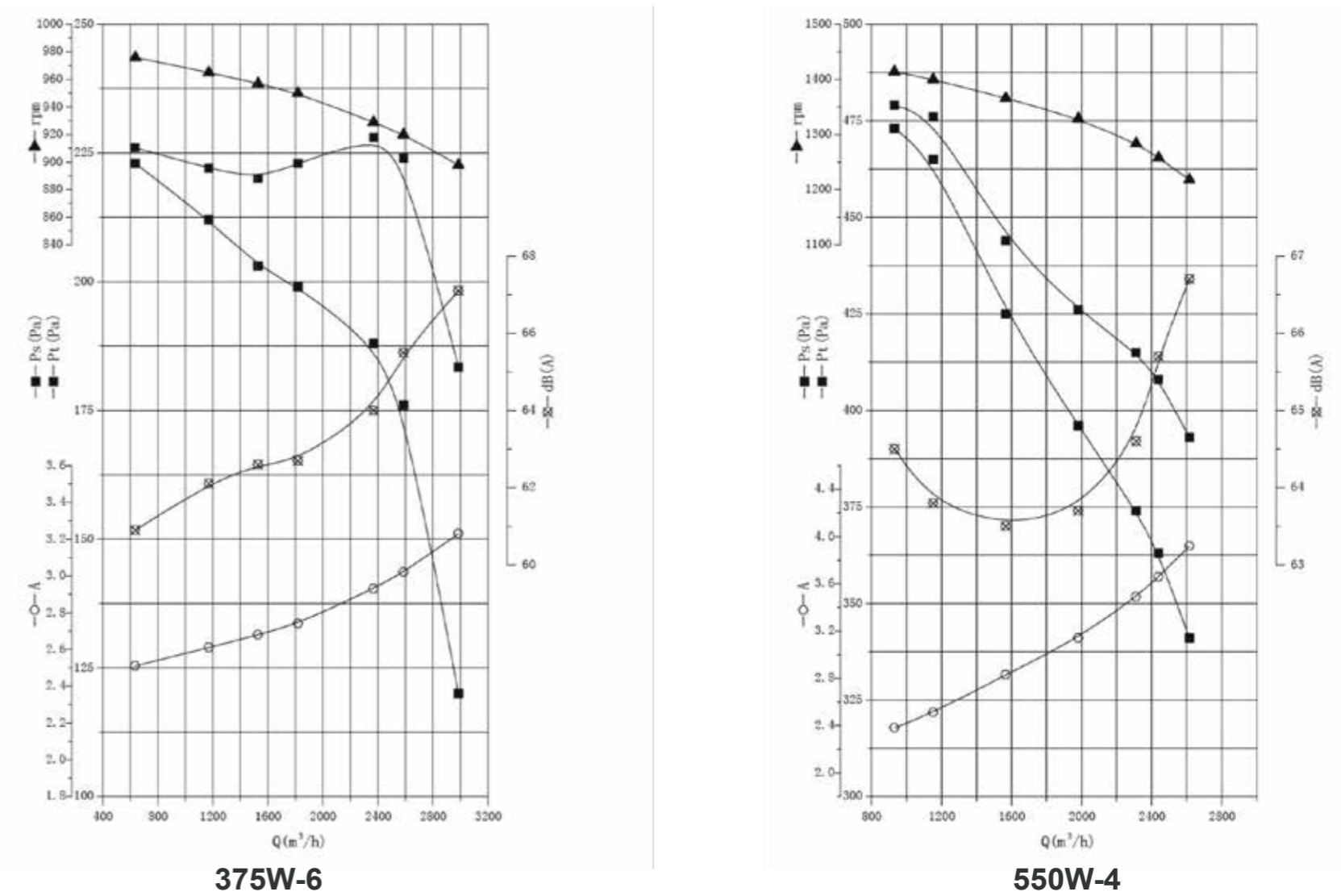
DD 9-9I Series



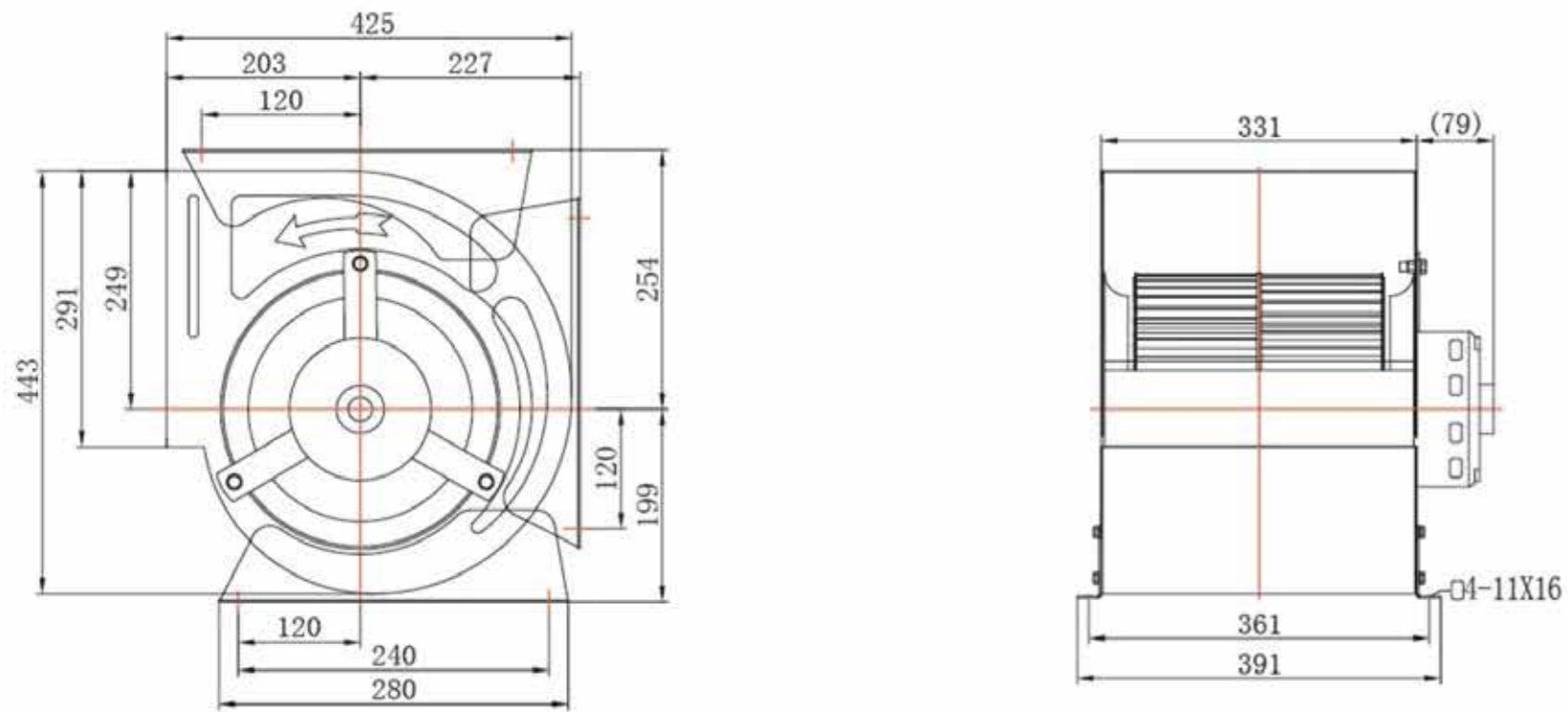
Technical Specifications

Motor	Power	Speed	Vol/Frequency	Current	L
375W-6	375W 6P	850RPM	230V/50Hz	3.5A	93
550W-4	550W 4P	1150RPM	230V/50Hz	4.6A	96

Flow Rate Curve



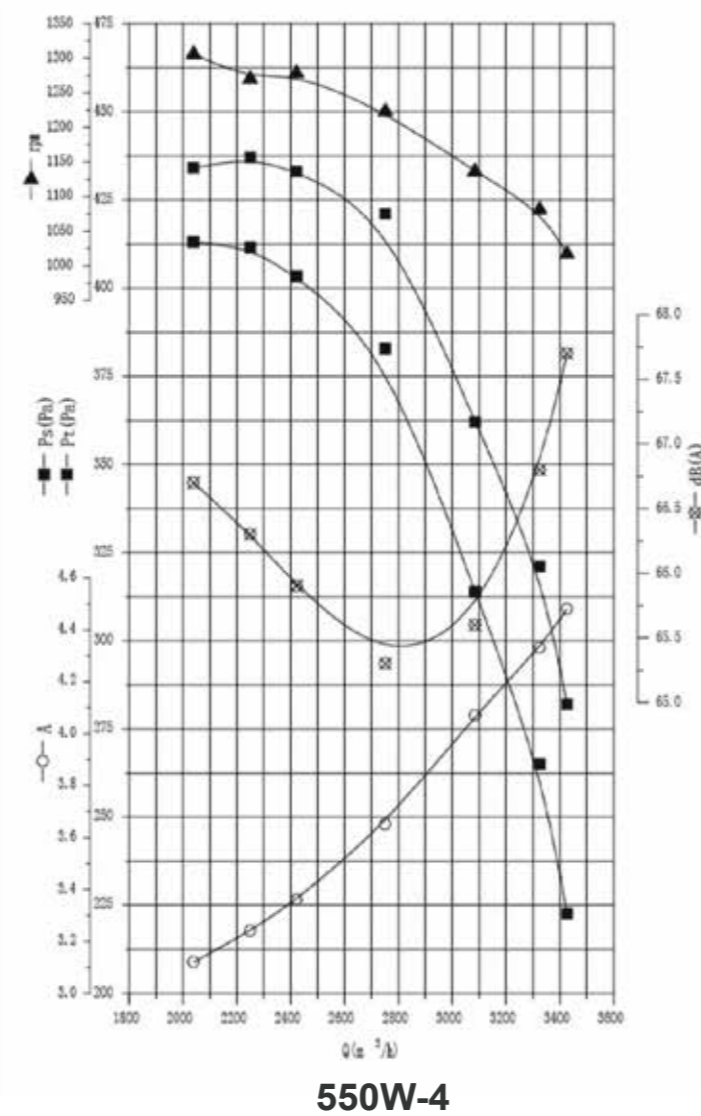
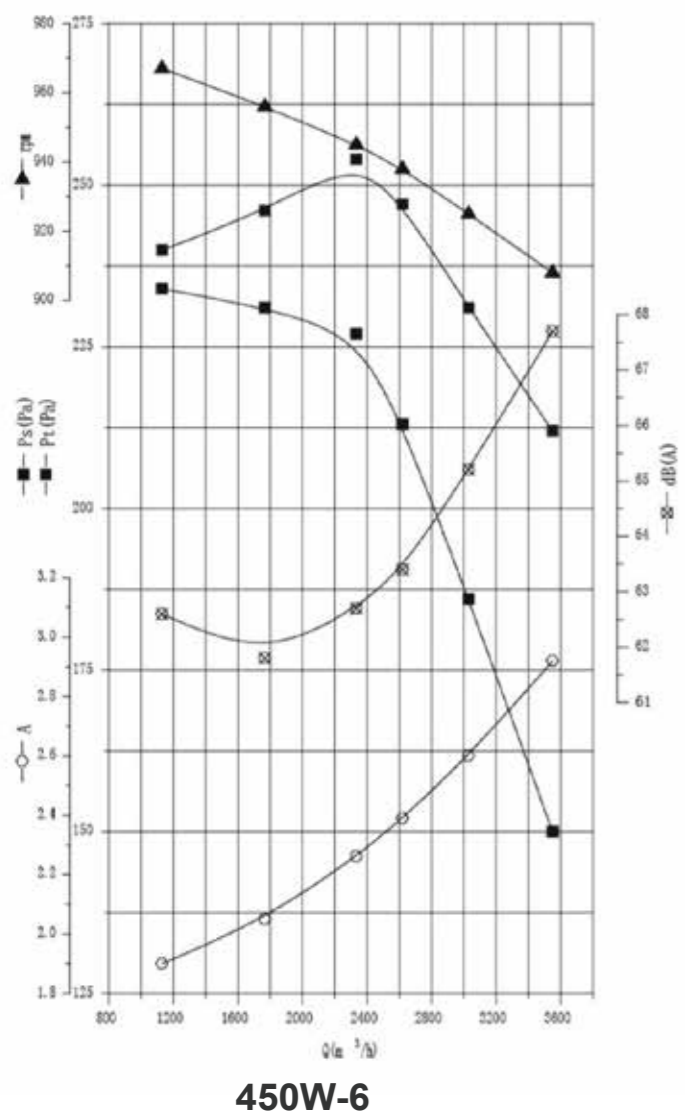
DD 10-10I Series



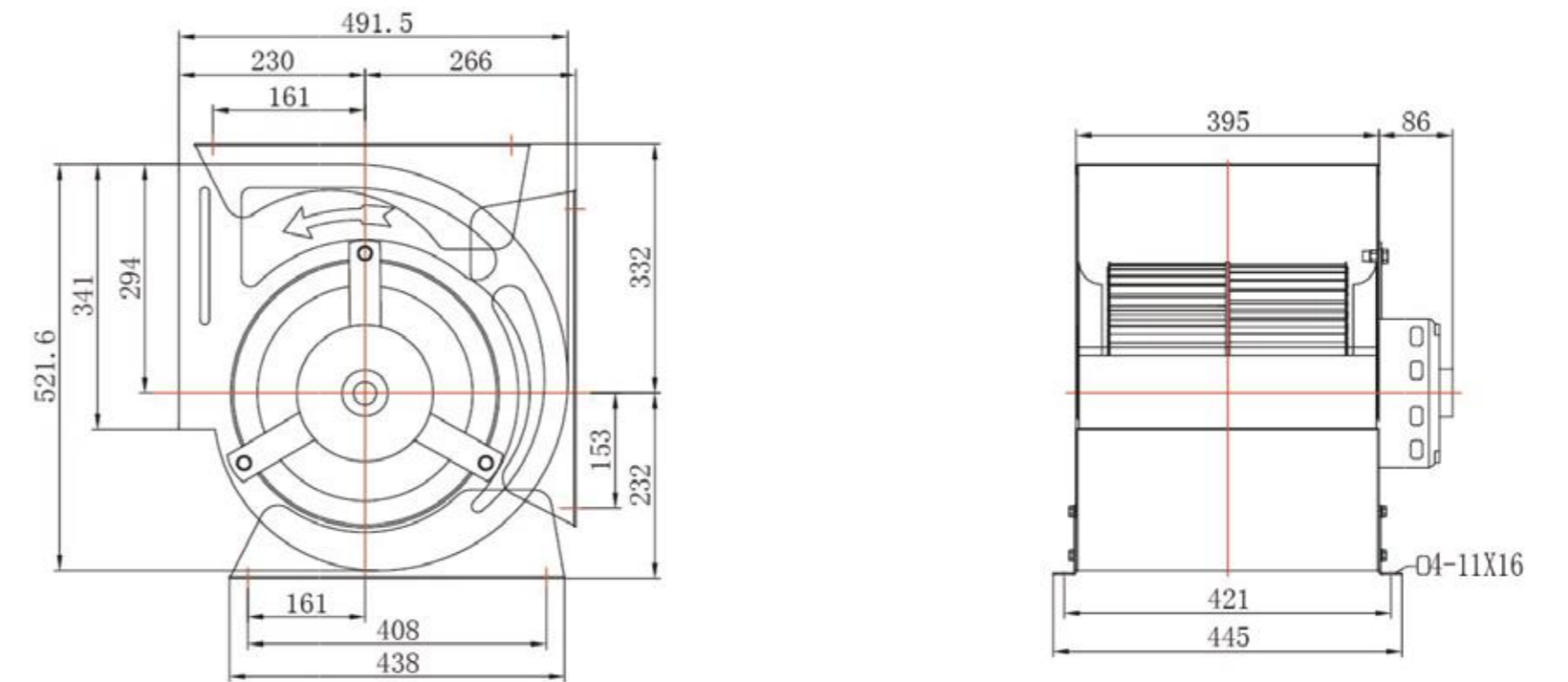
Technical Specifications

Motor	Power	Speed	Vol/Frequency	Current
450W-6	450W 6P	850RPM	230V/50Hz	3.5A
550W-4	550W 4P	1150RPM	230V/50Hz	4.6A

Flow Rate Curve



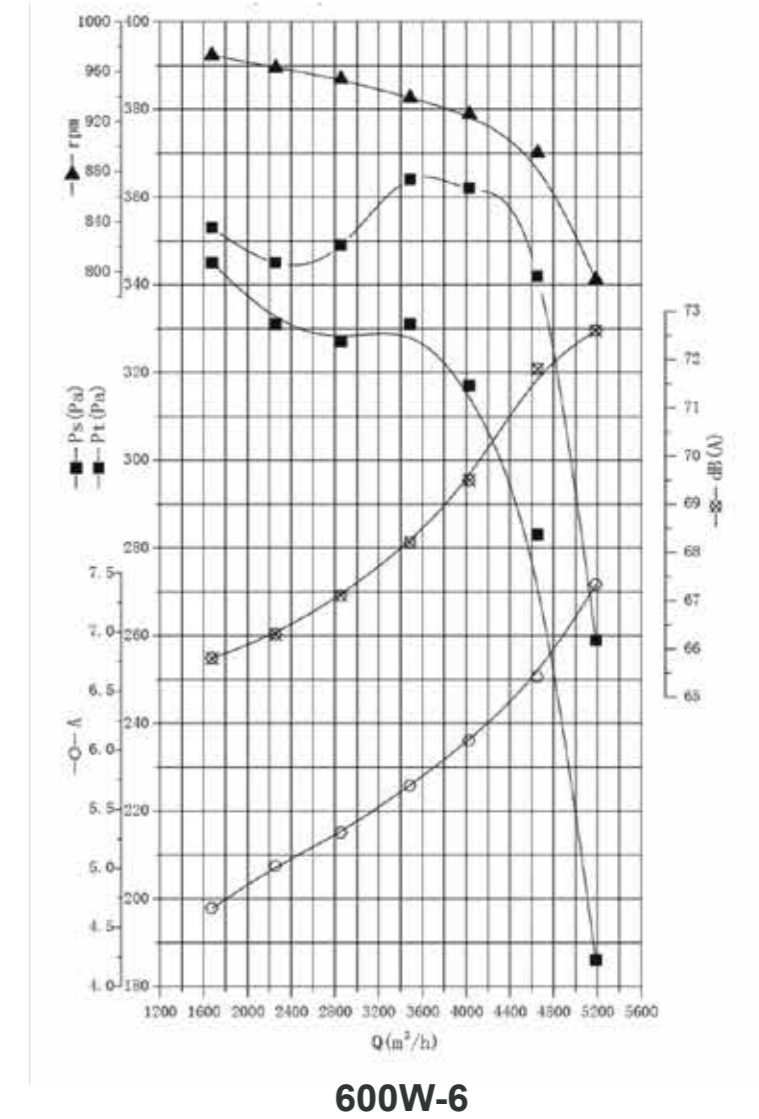
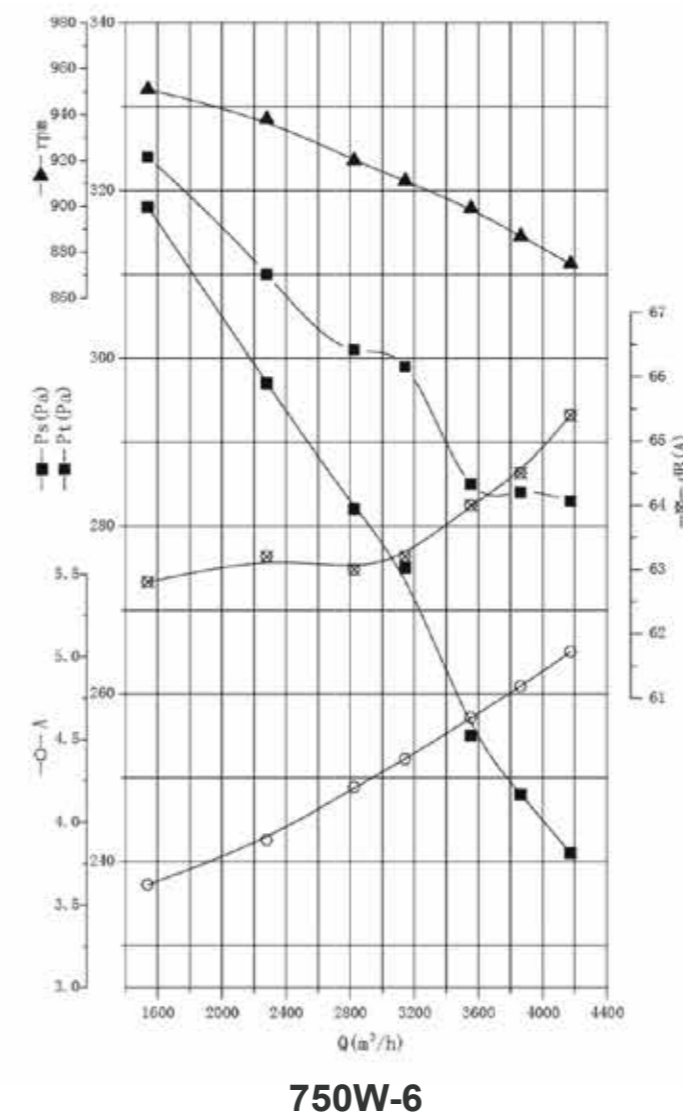
DD 12-12I Series



Technical Specifications

Motor	Power	Speed	Vol/Frequency	Current
750W-6	750W 6P	830RPM	230V/50Hz	7.2A
600W-6	600W 6P	880RPM	230V/50Hz	8.6A

Flow Rate Curve



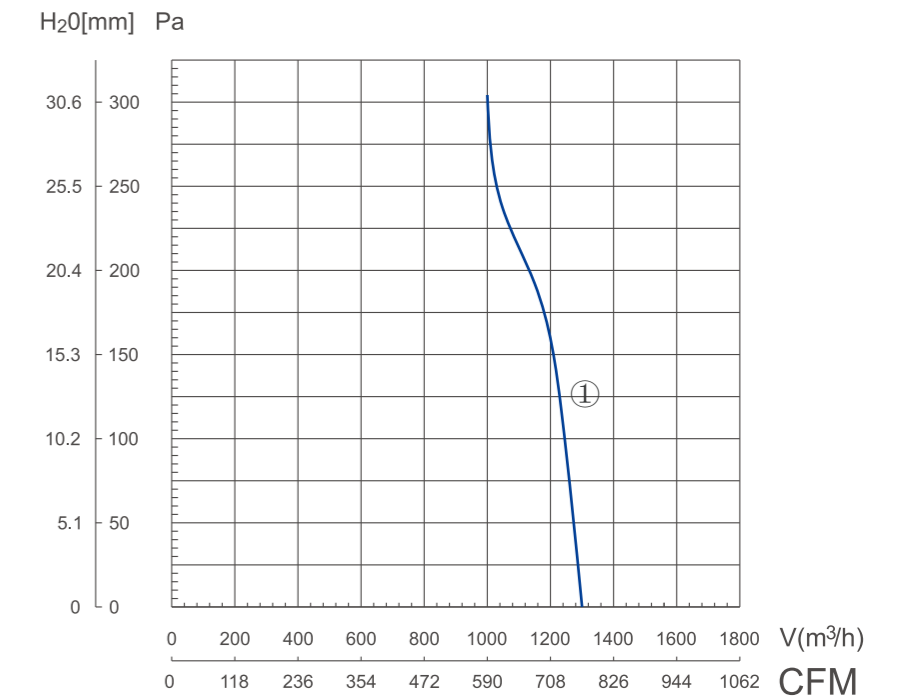
LWFA Series Centrifugal Blower

Professional HVAC Fan & Motors Manufacturer



LWFA-E-200 Series

Air Conditioning Fan



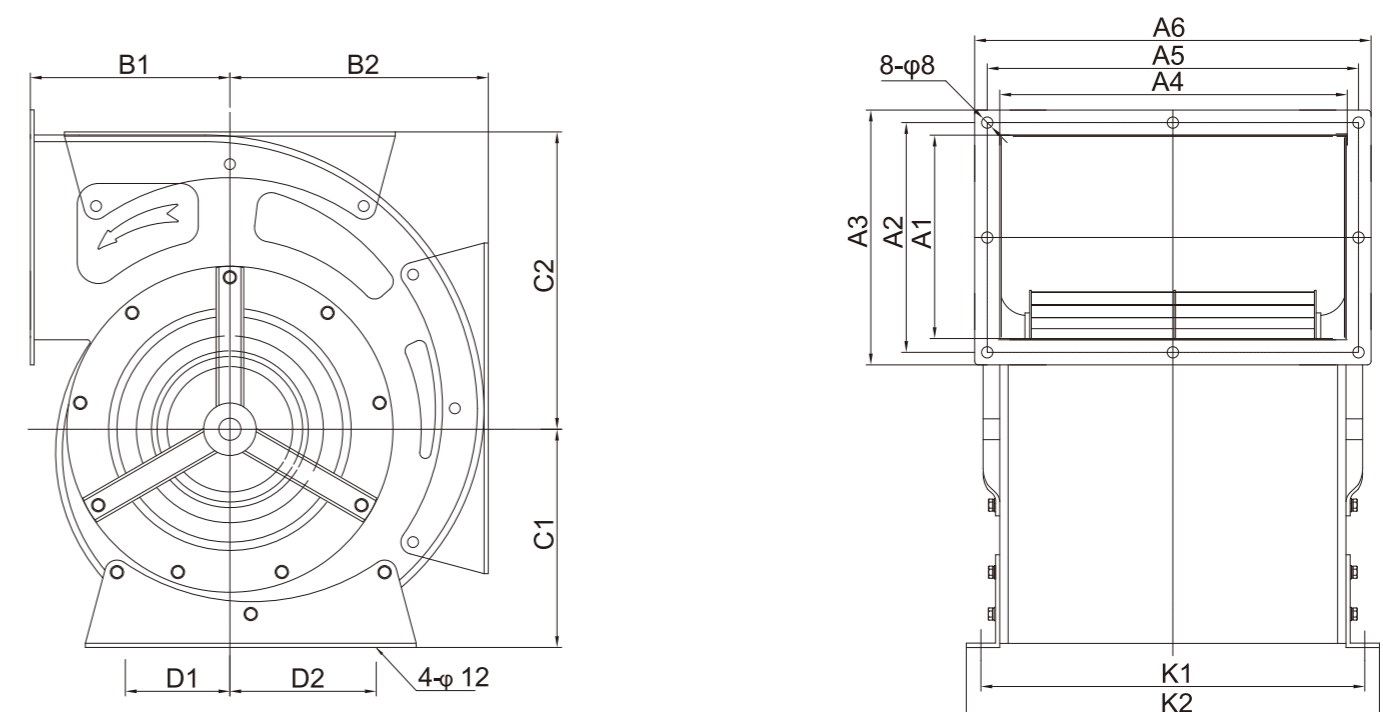
Technical Specifications

Model	Motor Power (kW)	Air Flow (m³/h)	Total Pressure (Pa)	Noise (dBA)	Curve No.
LWFA-E-200-01	0.25KW-4P	1000-1300	305-300	58	①

Installation dimension sheet

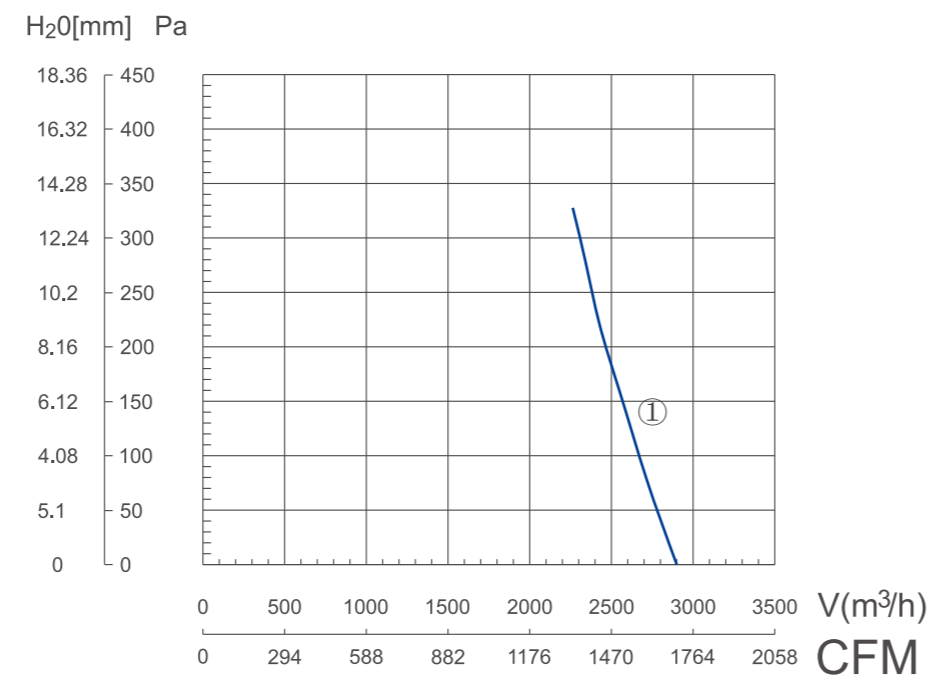
Model	Outlet Dimensions						Mounting Dimensions							
	A1	A2	A3	A4	A5	A6	B1	B2	C1	C2	D1	D2	K1	K2
LWFA-E-200	130	162	190	226	258	286	150	168	151	188	90	90	255	285

Product Drawing (mm)



LWFA-E-225 Series

Air Conditioning Fan



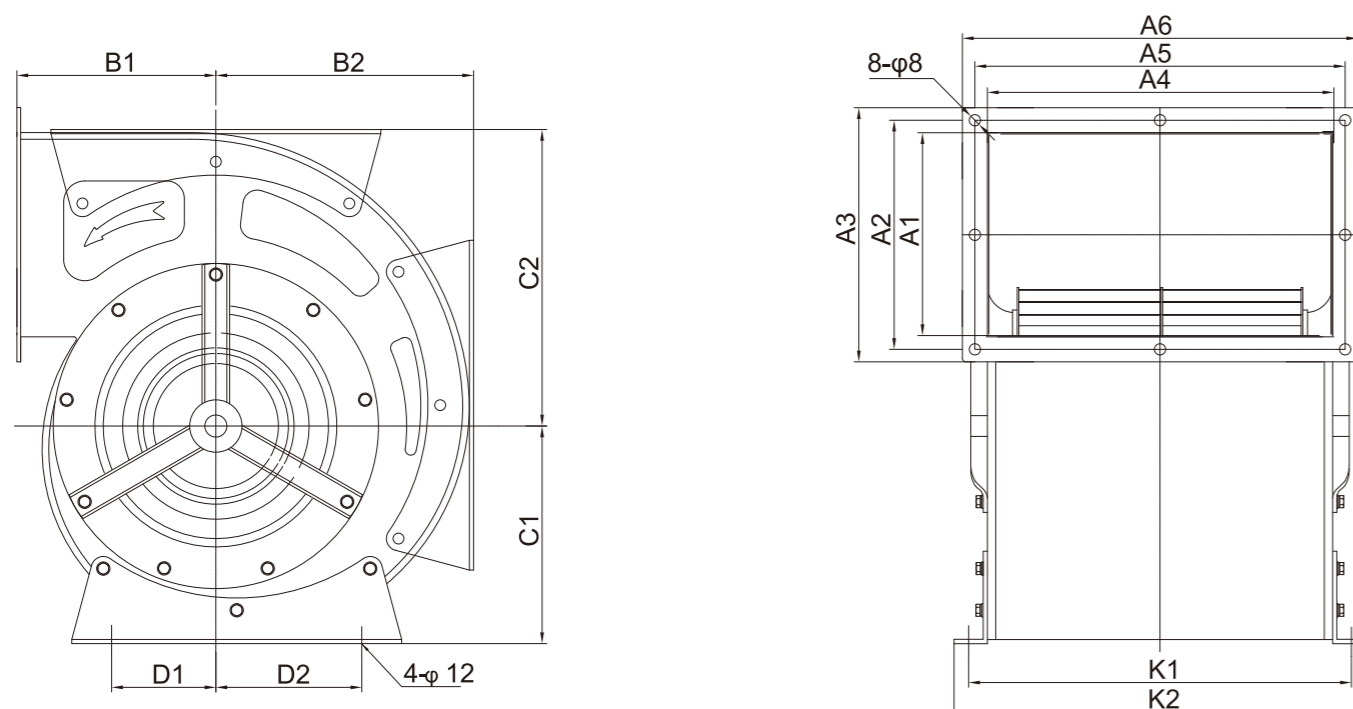
Technical Specifications

Model	Motor Power	Air Flow (m³/h)	Total Pressure (Pa)	Noise (dBA)	Curve No.
LWFA-E-225-01	0.45KW-4P	2300-2900	325-300	65	①

Installation dimension sheet

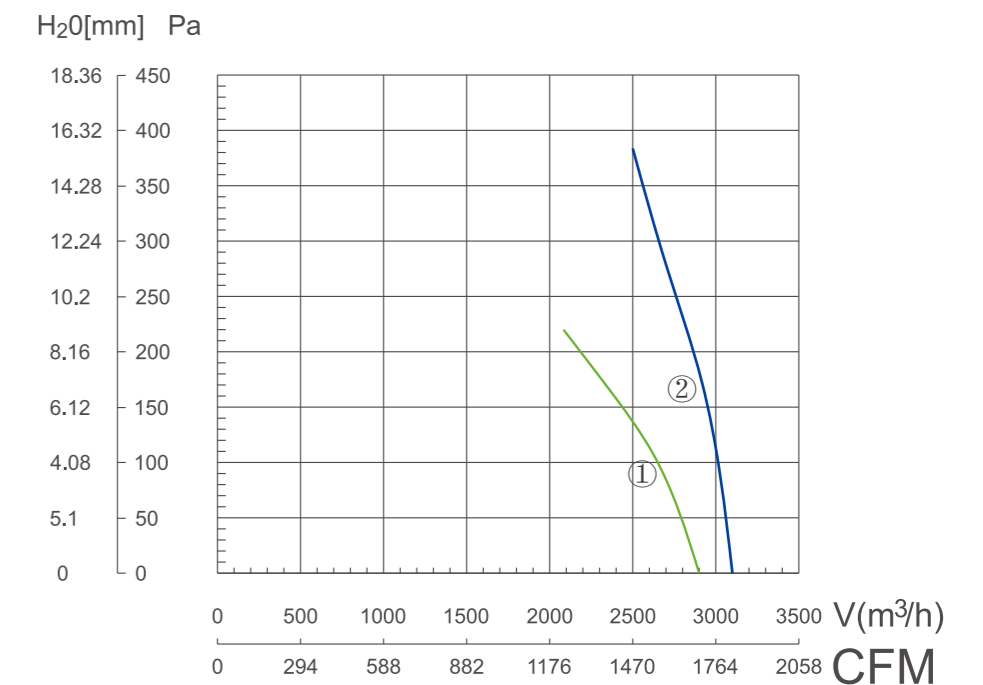
Model	Outlet Dimensions						Mounting Dimensions							
	A1	A2	A3	A4	A5	A6	B1	B2	C1	C2	D1	D2	K1	K2
LWFA-E-225	146	178	206	256	288	316	170	194	173	218	89	117	286	308

Product Drawing (mm)



LWFA-E-250 Series

Air Conditioning Fan



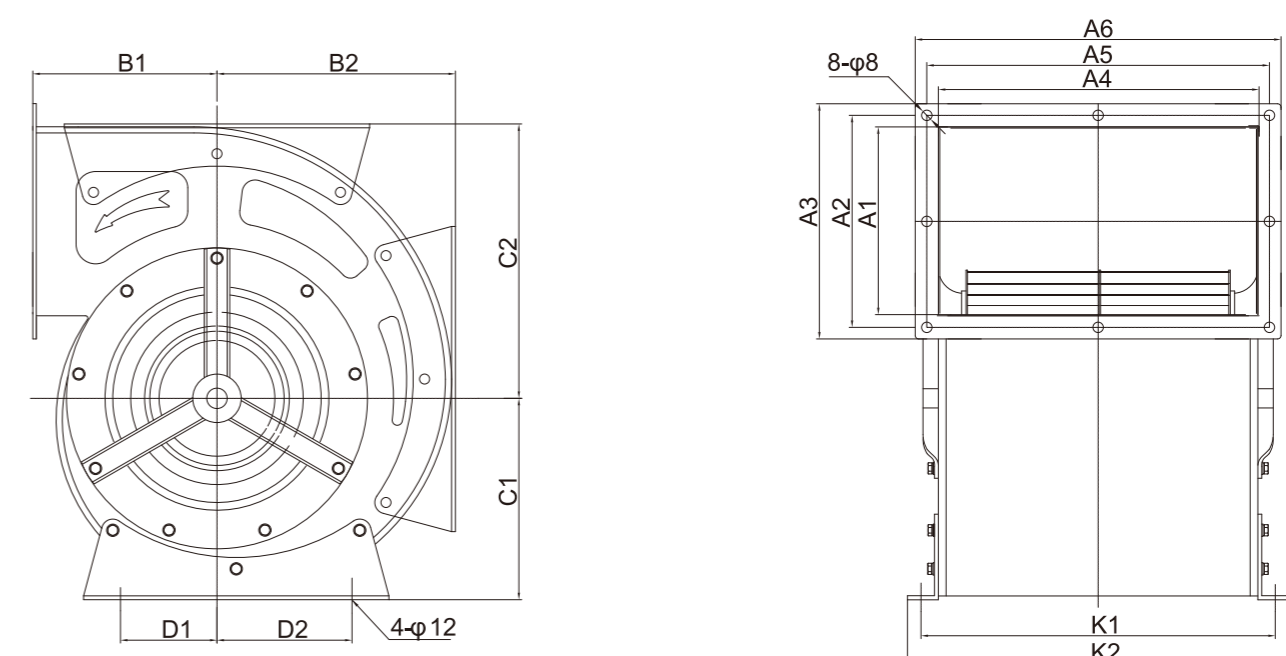
Technical Specifications

Model	Motor Power	Air Flow (m³/h)	Total Pressure (Pa)	Noise (dBA)	Curve No.
LWFA-E-250-01	0.55KW-4P	2500-3100	380-330	70	①
LWFA-E-250-02	0.37KW-6P	2100-2900	215-200	64	②

Installation dimension sheet

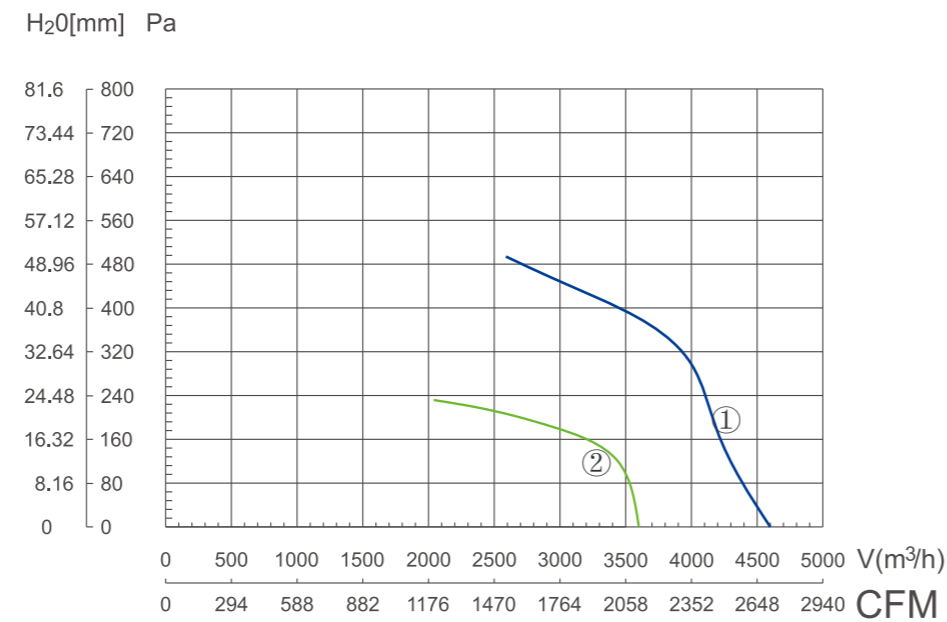
Model	Outlet Dimensions						Mounting Dimensions							
	A1	A2	A3	A4	A5	A6	B1	B2	C1	C2	D1	D2	K1	K2
LWFA-E-250	160	192	220	283	315	343	185	203	182	228	105	135	315	343

Product Drawing (mm)



LWFA-E-280 Series

Air Conditioning Fan



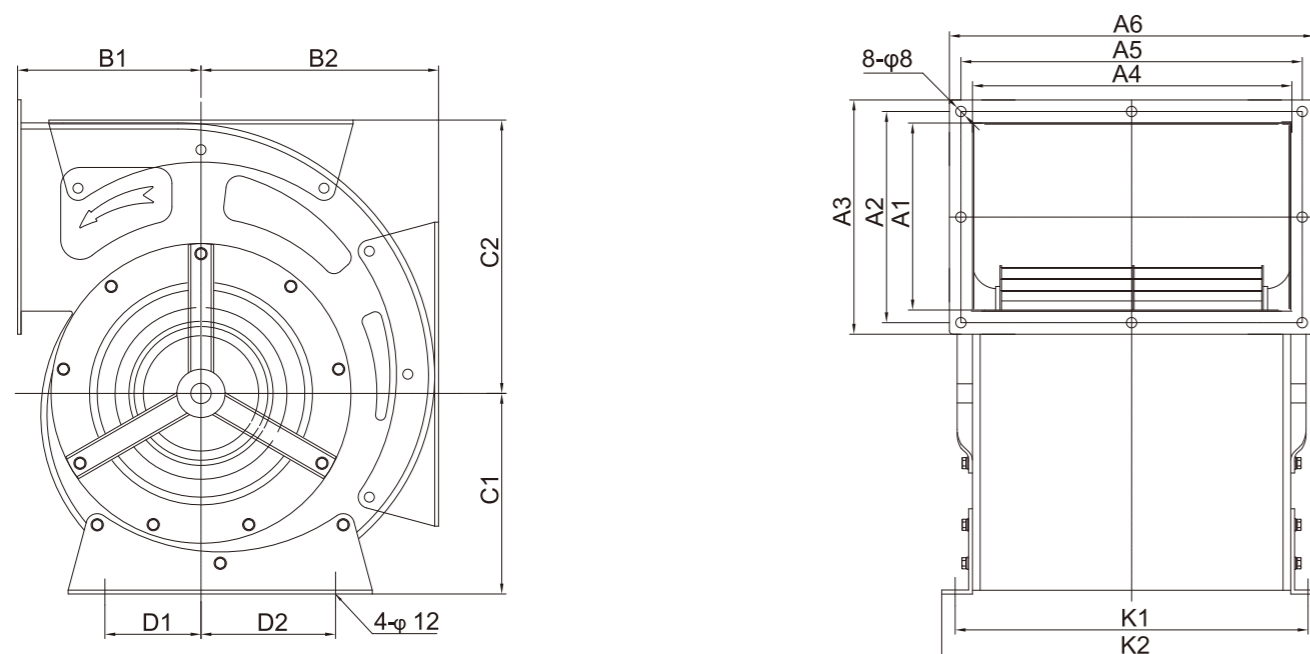
Technical Specifications

Model	Motor Power	Air Flow (m³/h)	Total Pressure (Pa)	Noise (dBA)	Curve No.
LWFA-E-280-01	0.8KW-4P	2600-4600	490-420	69	①
LWFA-E-280-02	0.55KW-6P	2100-3600	220-190	64	②

Installation dimension sheet

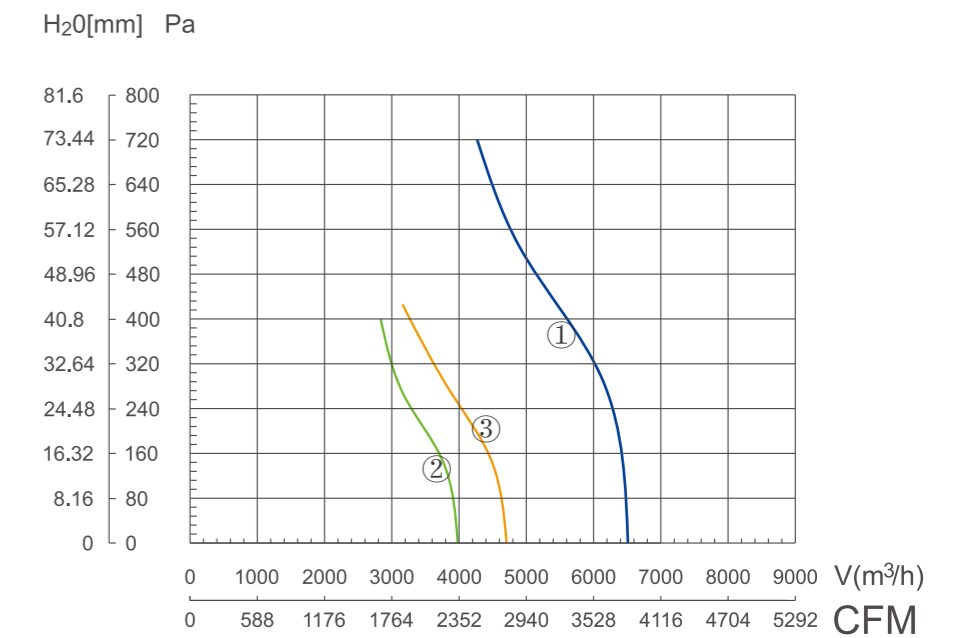
Model	Outlet Dimensions						Mounting Dimensions							
	A1	A2	A3	A4	A5	A6	B1	B2	C1	C2	D1	D2	K1	K2
LWFA-E-280	237	269	297	303	335	363	213	244	226	320	135	135	340	370

Product Drawing (mm)



LWFA-E-300 Series

Air Conditioning Fan



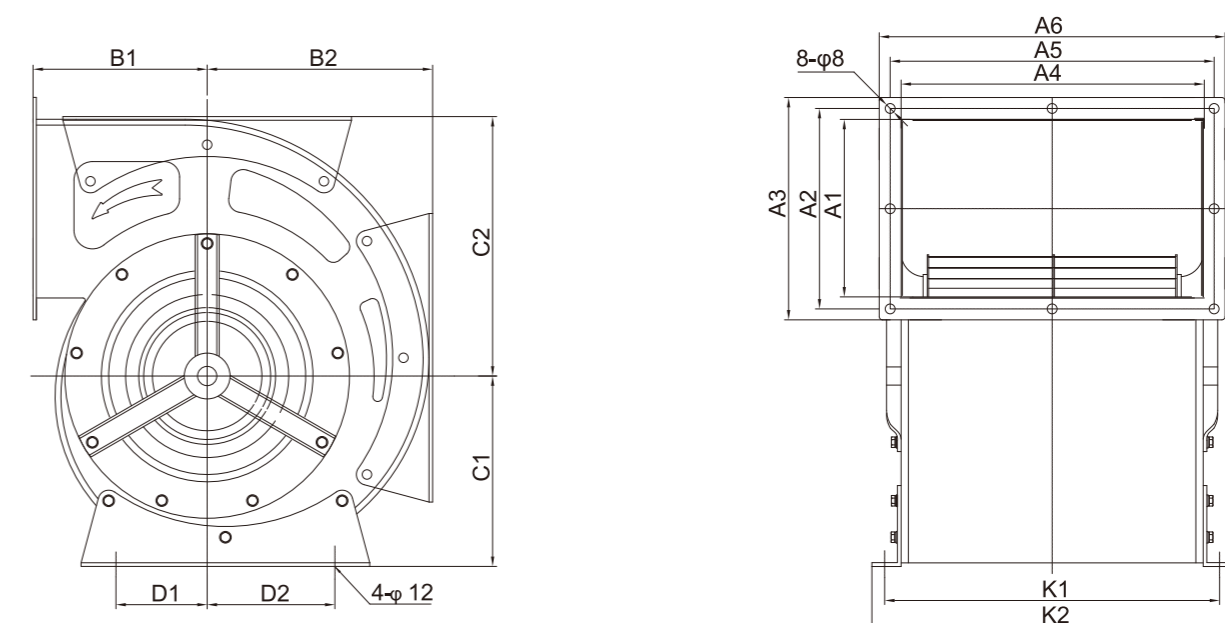
Technical Specifications

Model	Motor Power	Air Flow (m³/h)	Total Pressure (Pa)	Noise (dBA)	Curve No.
LWFA-E-300-01	2.2KW-4P	4300-6500	720-700	72	①
LWFA-E-300-02	0.8KW-6P	2900-4000	408-385	65	②
LWFA-E-300-03	1.1KW-6P	3100-4700	422-412	66	③

Installation dimension sheet

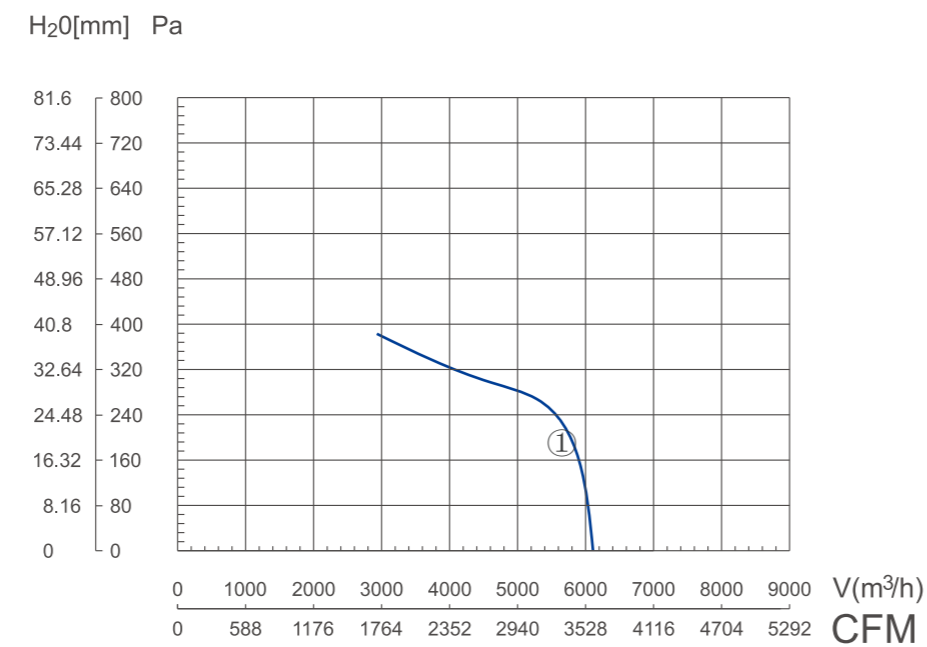
Model	Outlet Dimensions						Mounting Dimensions							
	A1	A2	A3	A4	A5	A6	B1	B2	C1	C2	D1	D2	K1	K2
LWFA-E-300	254	286	314	335	367	395	229	257	235	338	135	135	336	396

Product Drawing (mm)



LWFA-E-350 Series

Air Conditioning Fan



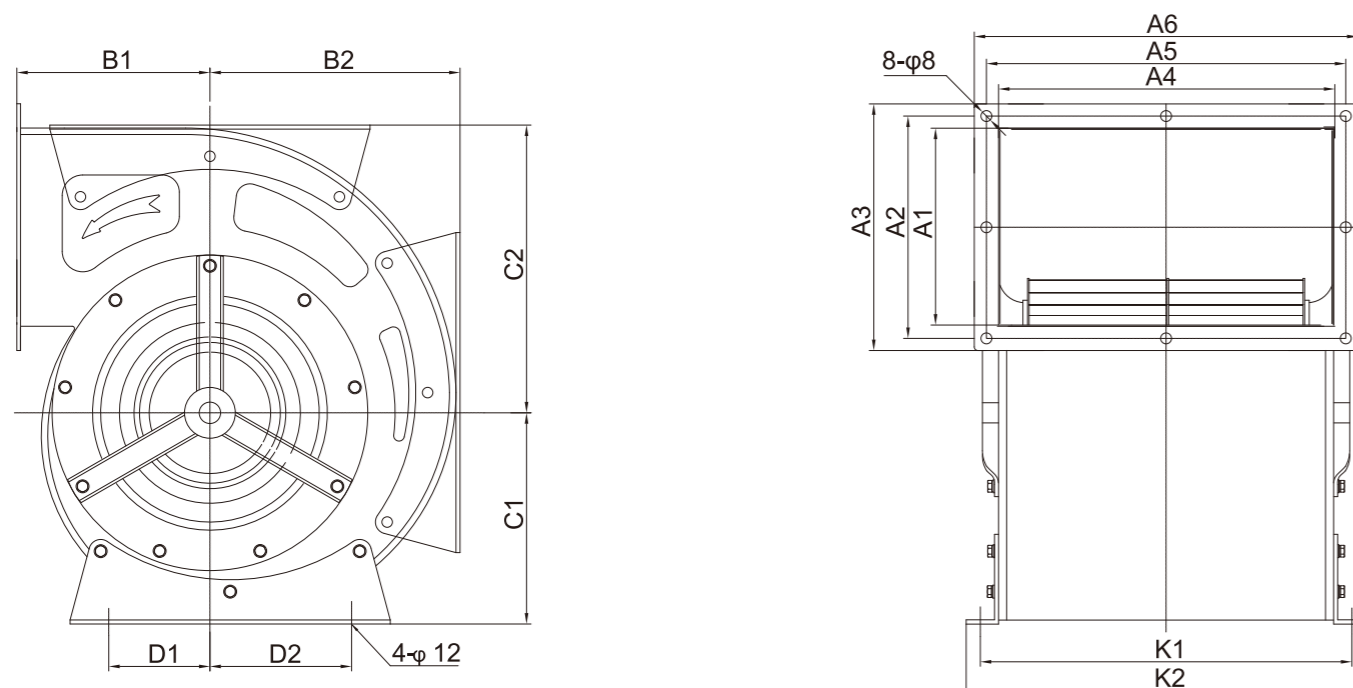
Technical Specifications

Model	Motor Power	Air Flow (m³/h)	Total Pressure (Pa)	Noise (dBA)	Curve No.
LWFA-E-350-01	1.5KW-6P	2950-6100	370-340	65	①

Installation dimension sheet

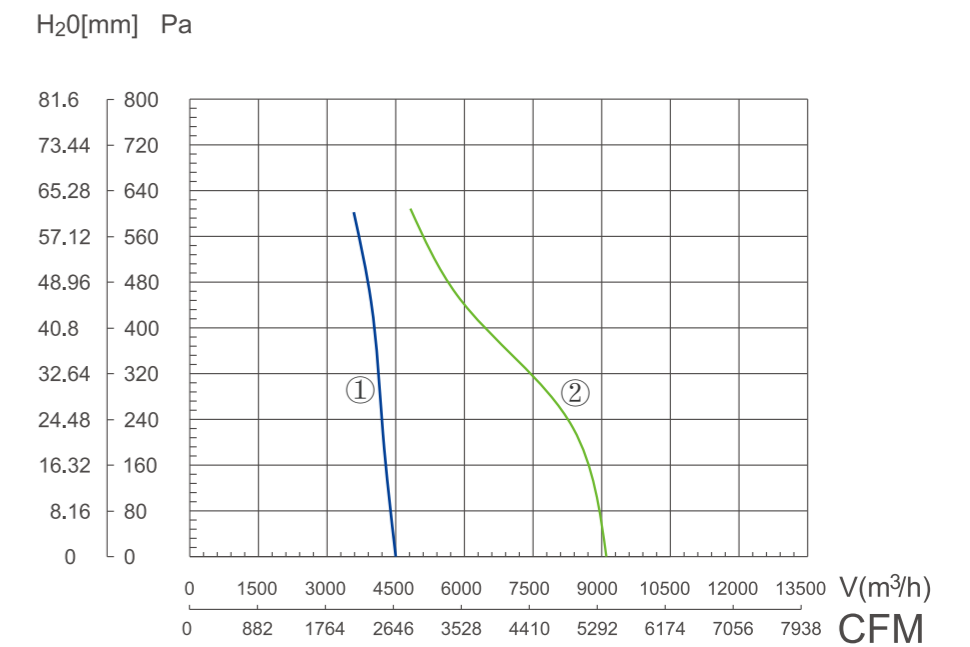
Model	Outlet Dimensions						Mounting Dimensions							
	A1	A2	A3	A4	A5	A6	B1	B2	C1	C2	D1	D2	K1	K2
LWFA-E-350	282	314	342	373	405	433	268	290	261	366	150	190	420	455

Product Drawing (mm)



LWFA-E-400 Series

Air Conditioning Fan



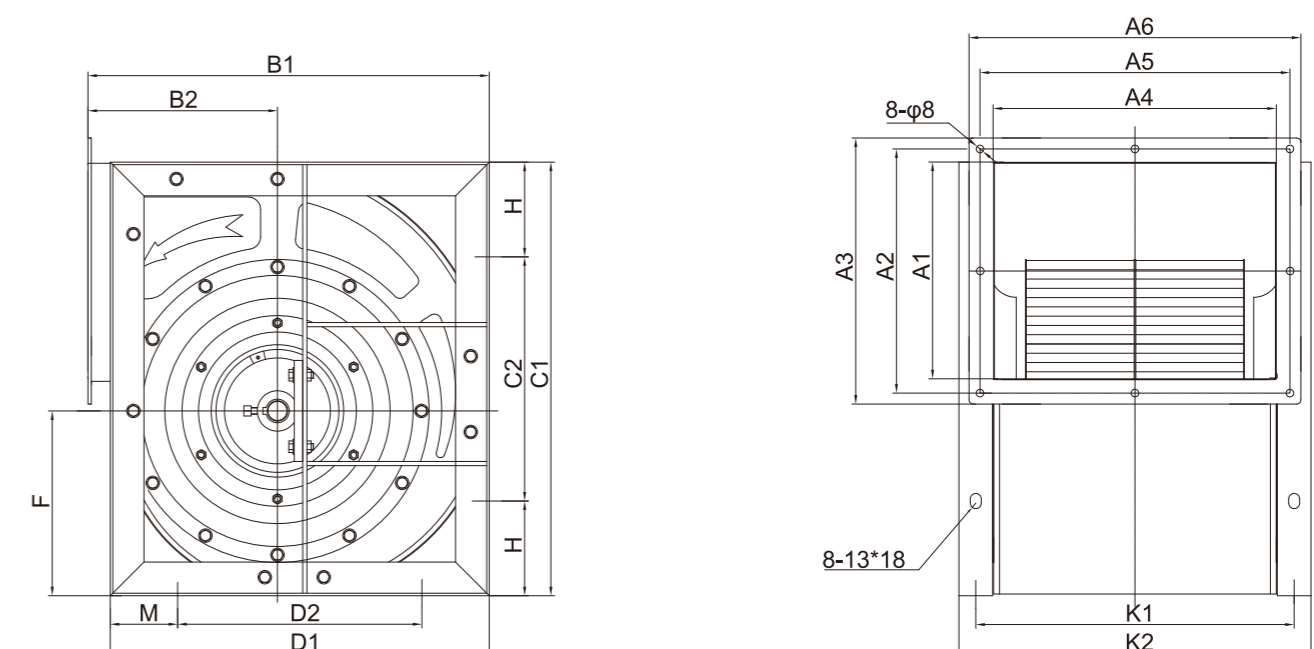
Technical Specifications

Model	Motor Power	Air Flow (m³/h)	Total Pressure (Pa)	Noise (dBA)	Curve No.
LWFA-E-400-01	2.2KW-6P	4500-4050	612-600	68	①
LWFA-E-400-02	3KW-6P	5100-9100	610-590	70	②

Installation dimension sheet

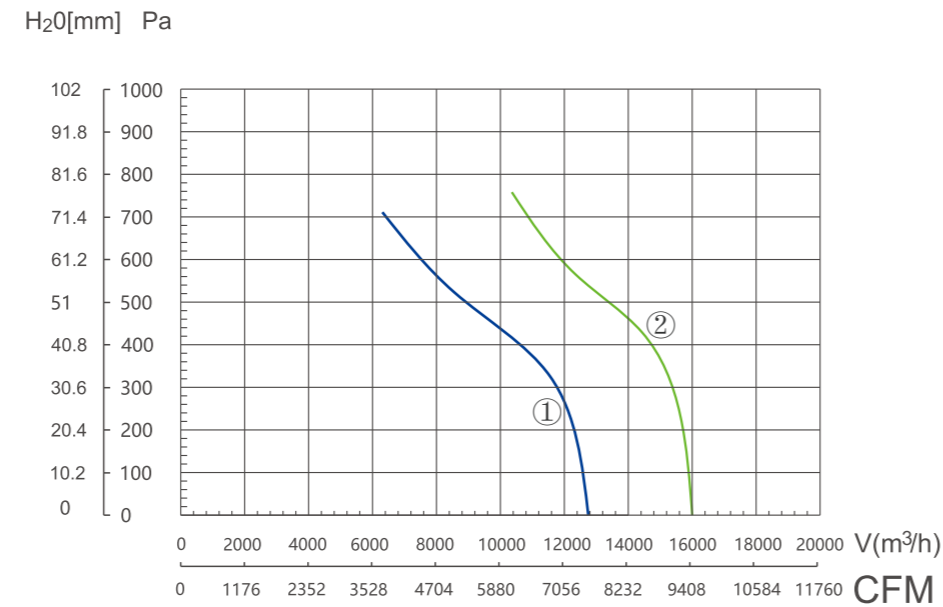
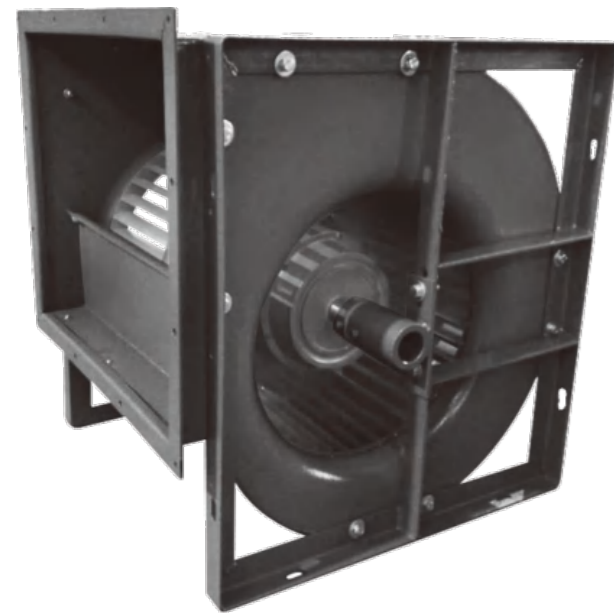
Model	Outlet Dimensions						Mounting Dimensions											
	A1	A2	A3	A4	A5	A6	B1	B2	C1	C2	H	D1	D2	M	F	K1	K2	
LWFA-E-400	322	354	382	416	448	476	627	300	657	355	151	579	355	112	292	459	499	

Product Drawing (mm)



LWFA-E-450 Series

Air Conditioning Fan



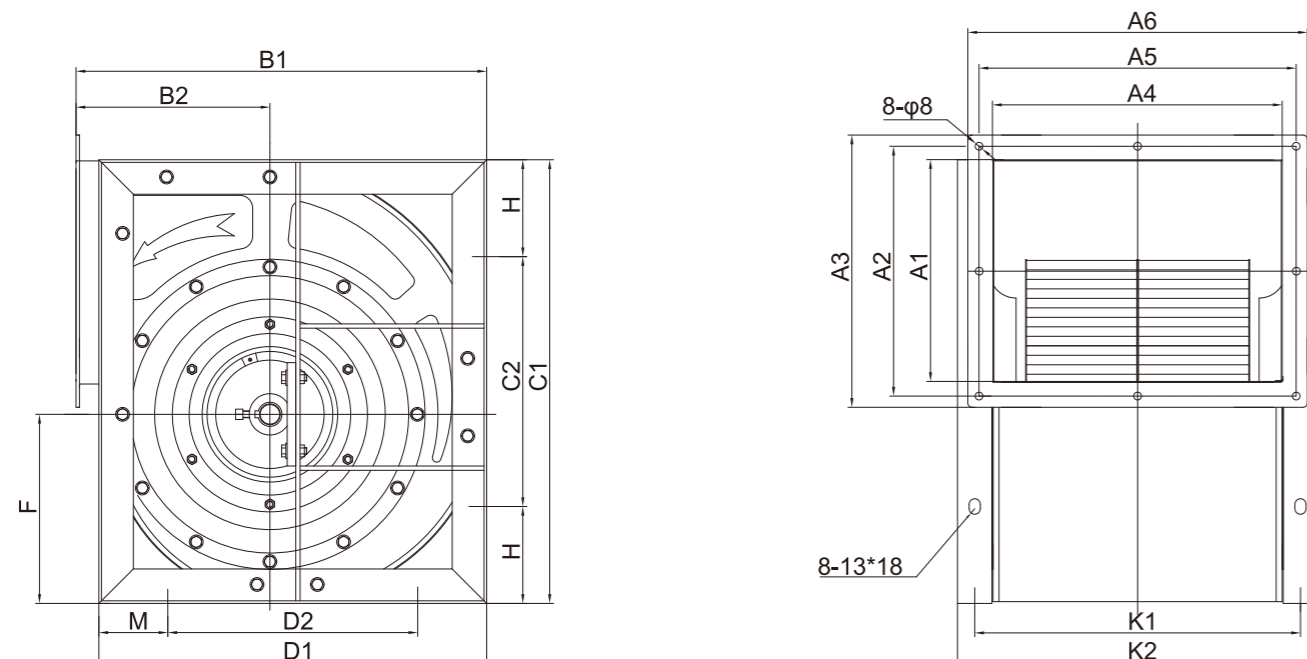
Technical Specifications

Model	Motor Power	Air Flow (m³/h)	Total Pressure (Pa)	Noise (dBA)	Curve No.
LWFA-E-450-01	4KW-6P	6230-12660	710-625	72	①
LWFA-E-450-02	5.5KW-6P	10500-16000	750-700	80	②

Installation dimension sheet

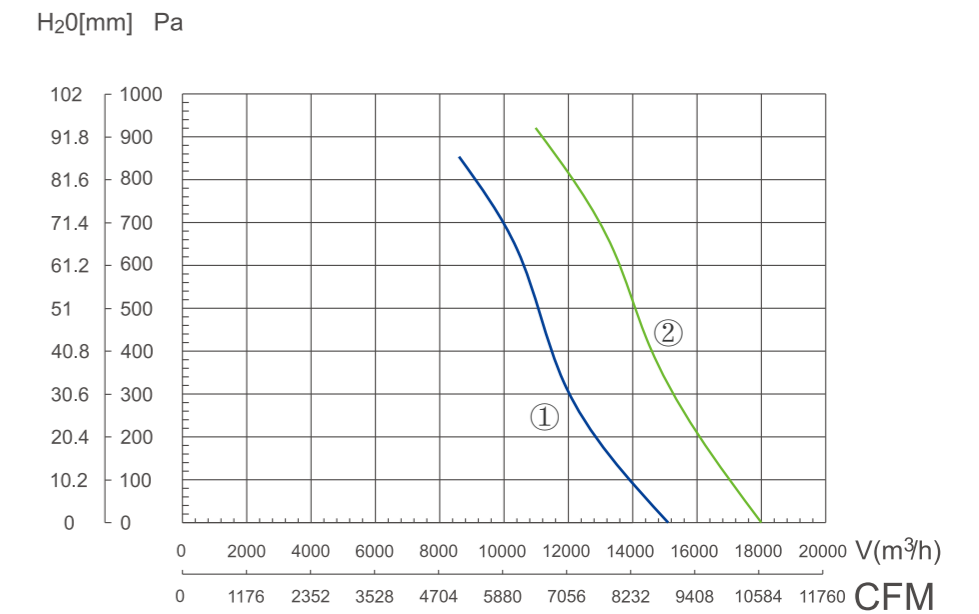
Model	Outlet Dimensions									Mounting Dimensions										
	A1	A2	A3	E	A4	A5	A6	F		B1	B2	C1	C2	H	D1	D2	M	I	K1	K2
LWFA-E-450	467	499	527	166	471	503	531	168		674	325	703	400	152	634	400	117	312	510	550

Product Drawing (mm)



LWFA-E-500 Series

Air Conditioning Fan



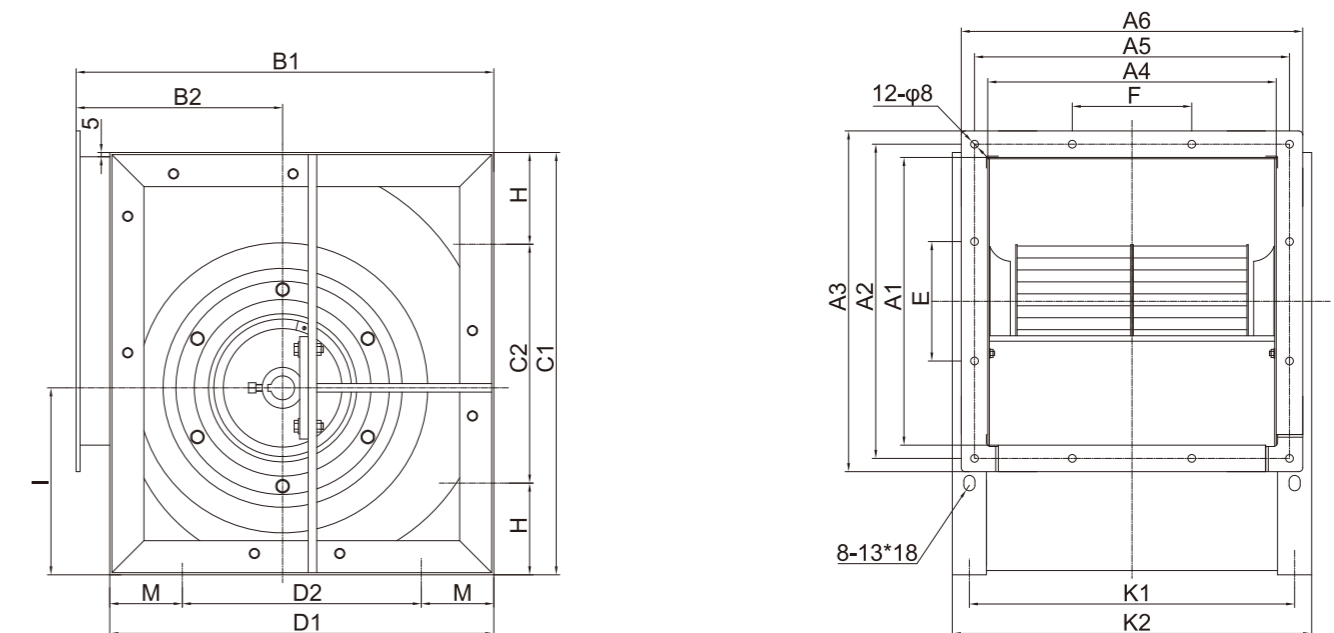
Technical Specifications

Model	Motor Power	Air Flow (m³/h)	Total Pressure (Pa)	Noise (dBA)	Curve No.
LWFA-E-500-01	5.5KW-6P	8380-15660	850-580	75	①
LWFA-E-500-02	7.5KW-6P	11000-18000	910-750	82	②

Installation dimension sheet

Model	Outlet Dimensions									Mounting Dimensions										
	A1	A2	A3	E	A4	A5	A6	F		B1	B2	C1	C2	H	D1	D2	M	I	K1	K2
LWFA-E-500	508	540	568	180	508	540	568	180		744	354	780	450	165	701	450	125	346	561	611

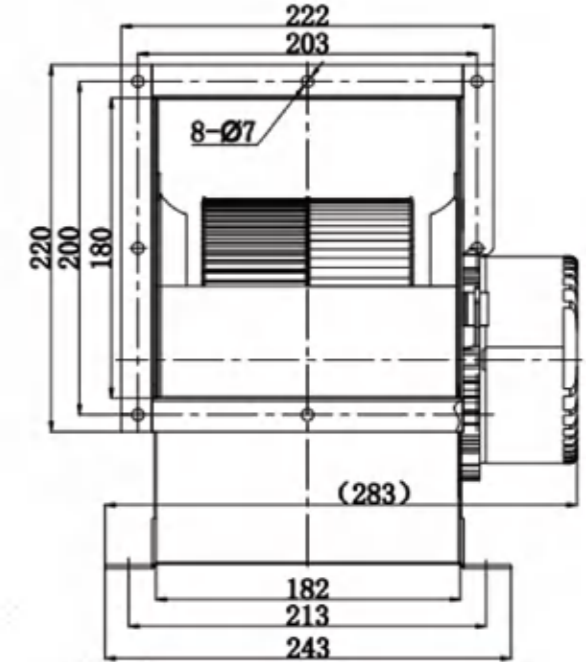
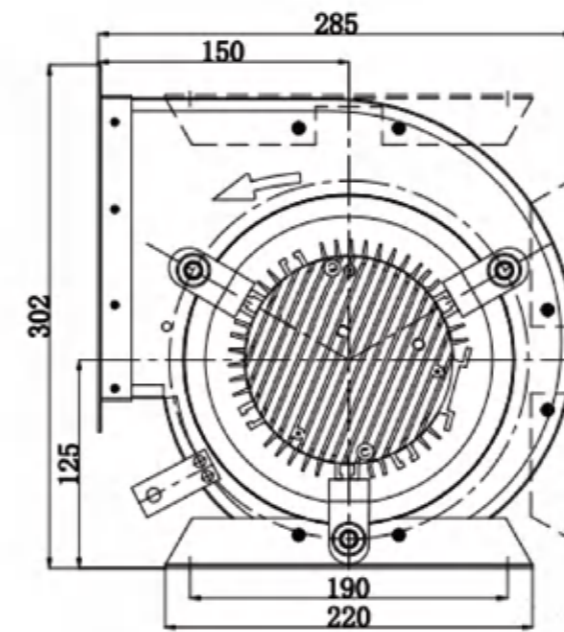
Product Drawing (mm)



DD Series Centrifugal Blower

Professional HVAC Fan & Motors Manufacturer

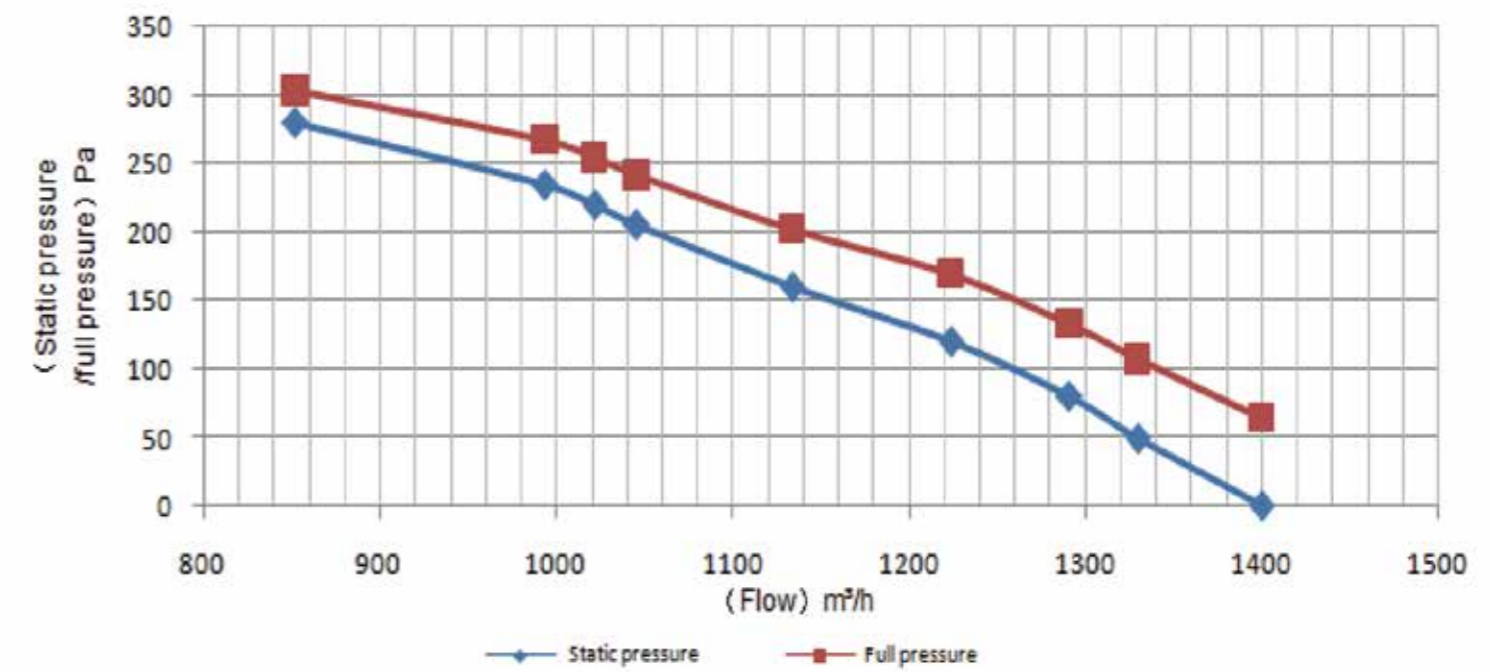
DD7-5 (EC Motor)



Technical Specifications

Model	Voltage	Frequency	Full Pressure	Flow Rate	Rotating Speed	Motor Power
LWDD7-5-EC	220V	50Hz	304~65Pa	852~1400m³/h	1440±10r/min	200W

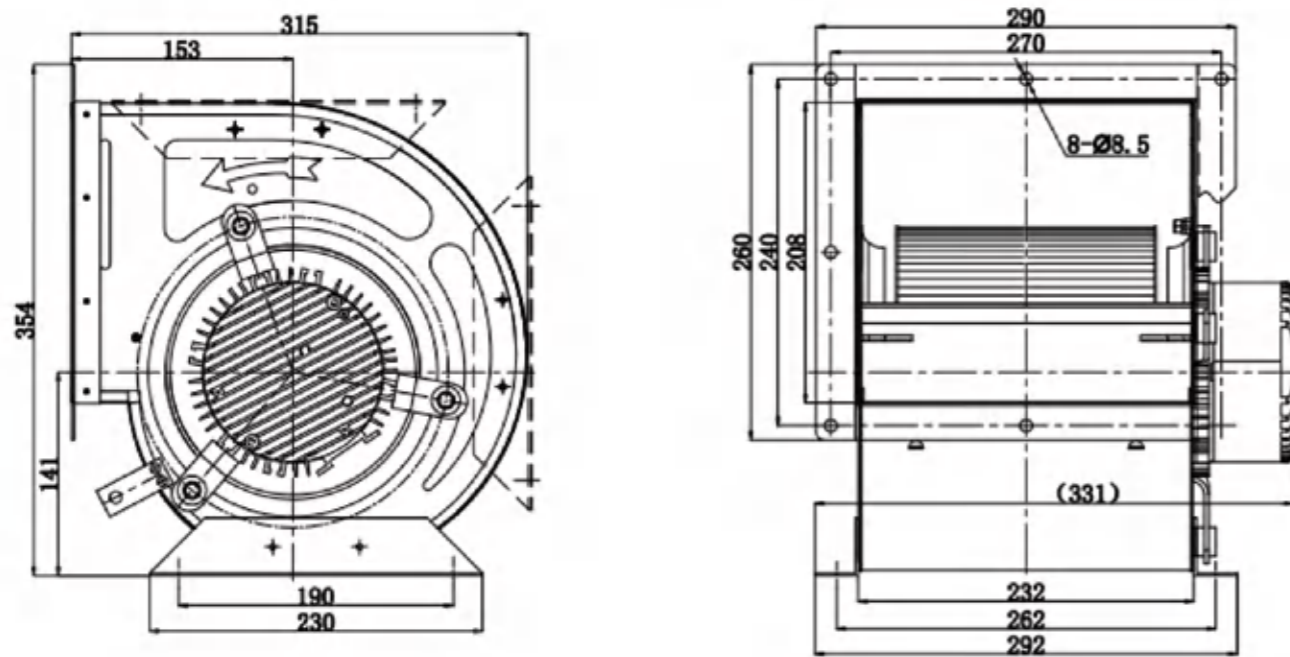
Flow Rate Curve



Air Flow	Static Pressure	Total Pressure	Speed	Noise Level
852m³/h	280Pa	304Pa	1450r/min	60.0dB(A)
994m³/h	235Pa	268Pa	1440r/min	59.9dB(A)
1022m³/h	220Pa	255Pa	1430r/min	60.0dB(A)
1046m³/h	205Pa	242Pa	1430r/min	59.9dB(A)
1134m³/h	160Pa	203Pa	1410r/min	60.1dB(A)
1224m³/h	120Pa	170Pa	1370r/min	60.1dB(A)
1291m³/h	80Pa	134Pa	1300r/min	60.2dB(A)
1330m³/h	50Pa	108Pa	1250r/min	60.2dB(A)
1400m³/h	0Pa	65Pa	1200r/min	60.3dB(A)



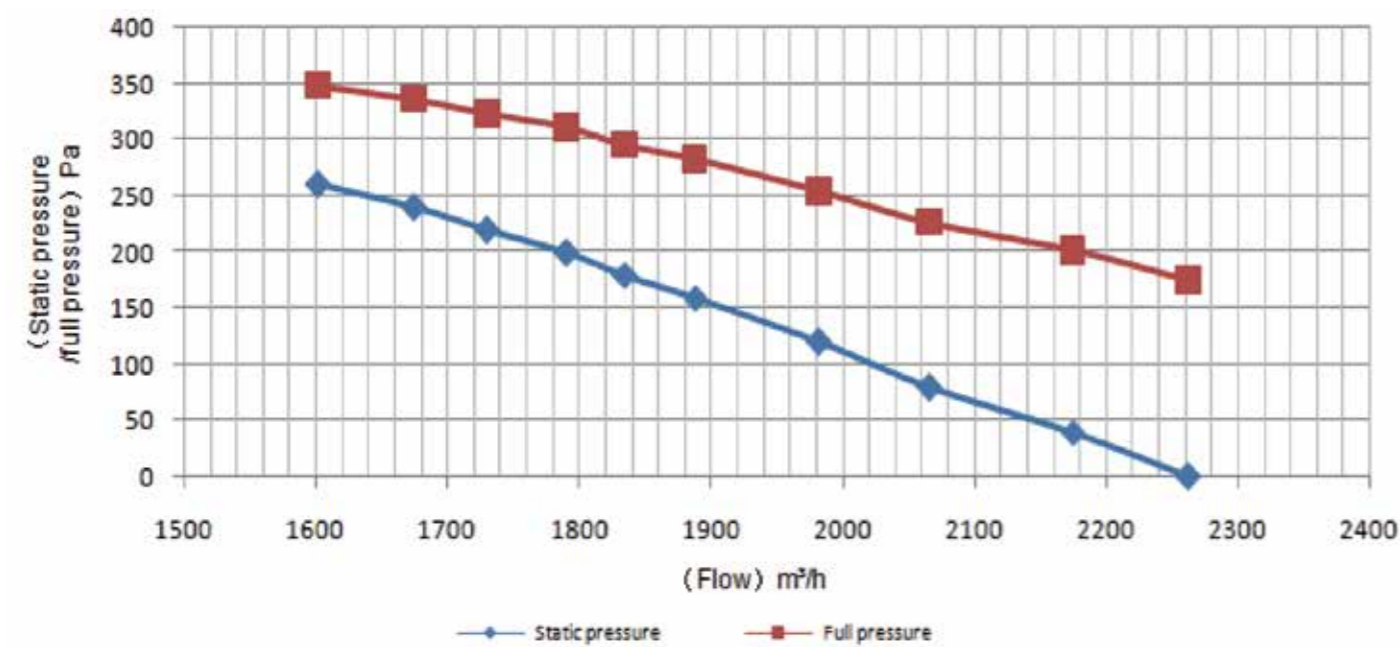
DD7-7 (EC Motor)



Technical Specifications

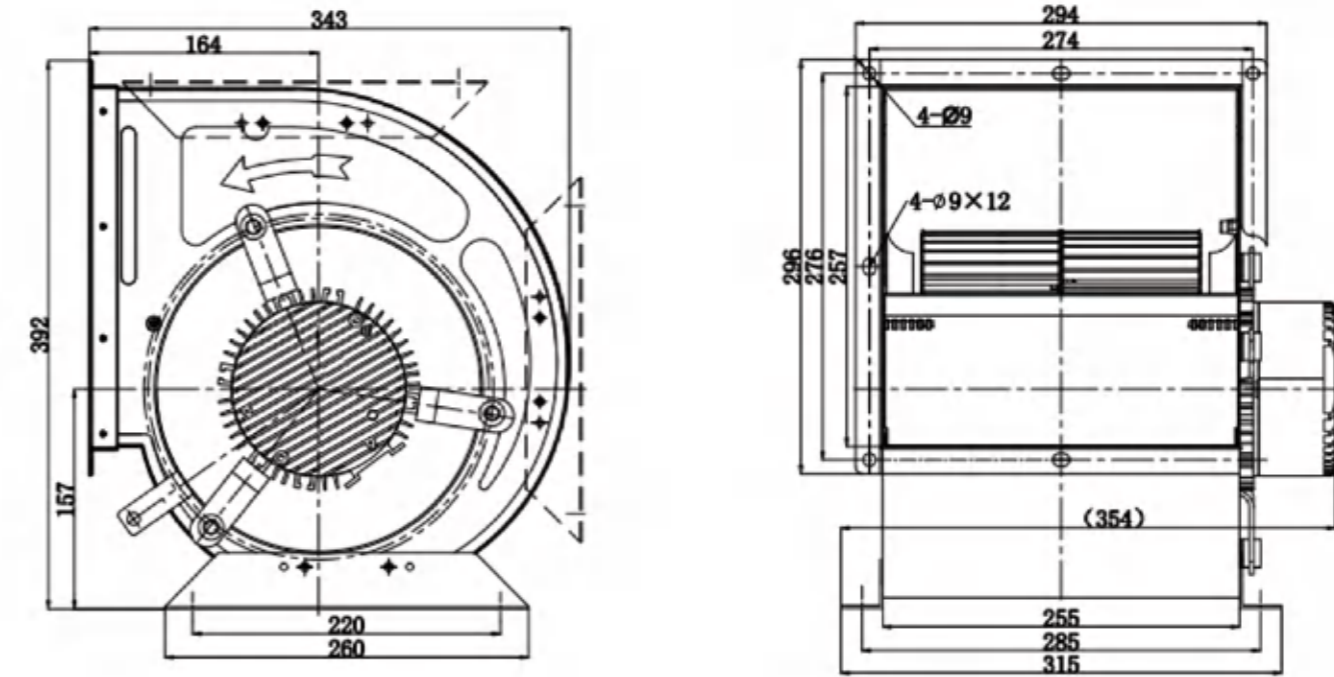
Model	Voltage	Frequency	Full Pressure	Flow Rate	Rotating Speed	Motor Power
LWDD7-7-EC	220V	50Hz	349~175Pa	1602~2263m³/h	1440±30r/min	250W

Flow Rate Curve



Air Flow	Static Pressure	Total Pressure	Speed	Noise Level
1602m³/h	260Pa	349Pa	1470r/min	63.8dB(A)
1675m³/h	240Pa	337Pa	1430r/min	64.3dB(A)
1731m³/h	220Pa	323Pa	1380r/min	64.7dB(A)
1791m³/h	200Pa	311Pa	1370r/min	65.0dB(A)
1835m³/h	180Pa	296Pa	1350r/min	65.3dB(A)
1888m³/h	160Pa	283Pa	1300r/min	65.5dB(A)
1983m³/h	120Pa	255Pa	1250r/min	66.2dB(A)
2066m³/h	80Pa	227Pa	1200r/min	66.8dB(A)
2175m³/h	40Pa	202Pa	1130r/min	67.1dB(A)
2263m³/h	0Pa	175Pa	1080r/min	67.3dB(A)

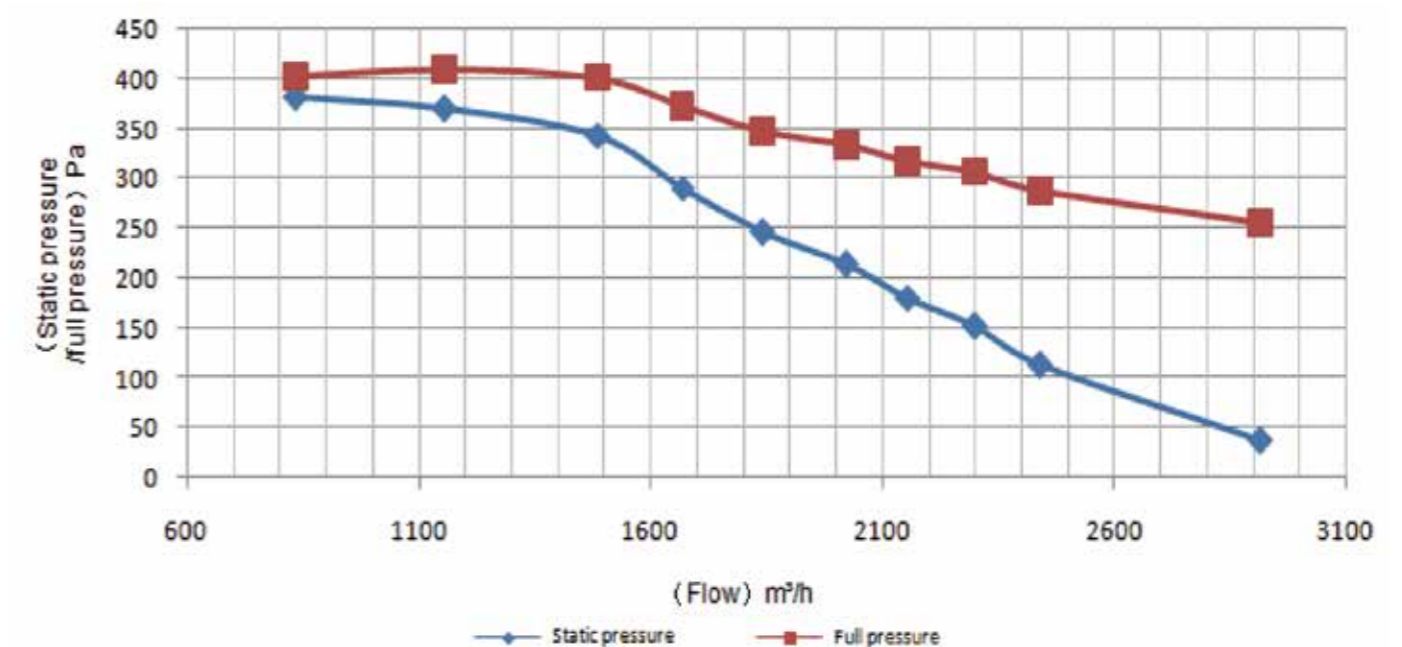
DD8-7 (EC Motor)



Technical Specifications

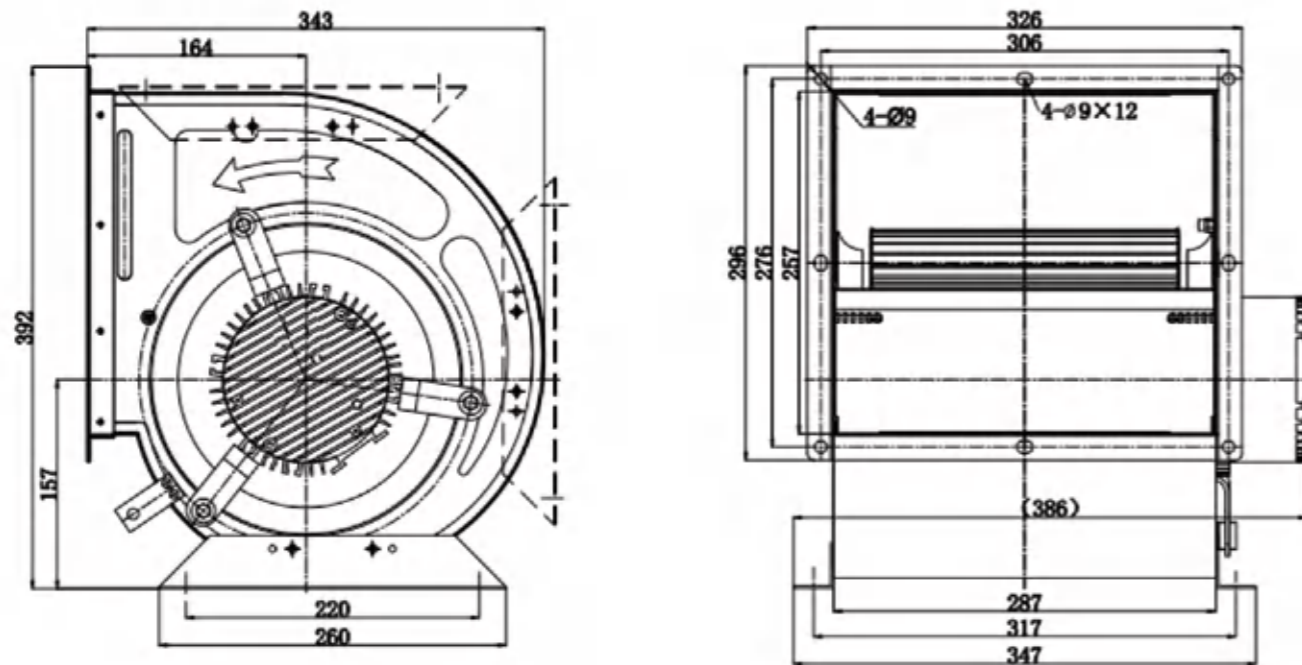
Model	Voltage	Frequency	Full Pressure	Flow Rate	Rotating Speed	Motor Power
LWDD8-7-EC	220V	50Hz	403~255Pa	835~2916m³/h	1440±10r/min	300W

Flow Rate Curve



Air Flow	Static Pressure	Total Pressure	Speed	Noise Level
835m³/h	382Pa	403Pa	1438r/min	64.7dB(A)
1157m³/h	371Pa	410Pa	1413r/min	64.8dB(A)
1487m³/h	344Pa	401Pa	1370r/min	65.6dB(A)
1670m³/h	291Pa	372Pa	1285r/min	66.7dB(A)
1843m³/h	247Pa	347Pa	1231r/min	67.5dB(A)
2025m³/h	214Pa	334Pa	1191r/min	68.3dB(A)
2157m³/h	181Pa	317Pa	1142r/min	69.4dB(A)
2302m³/h	152Pa	307Pa	1081r/min	70.9dB(A)
2442m³/h	113Pa	288Pa	1015r/min	71.7dB(A)
2916m³/h	37Pa	255Pa	962r/min	72.6dB(A)

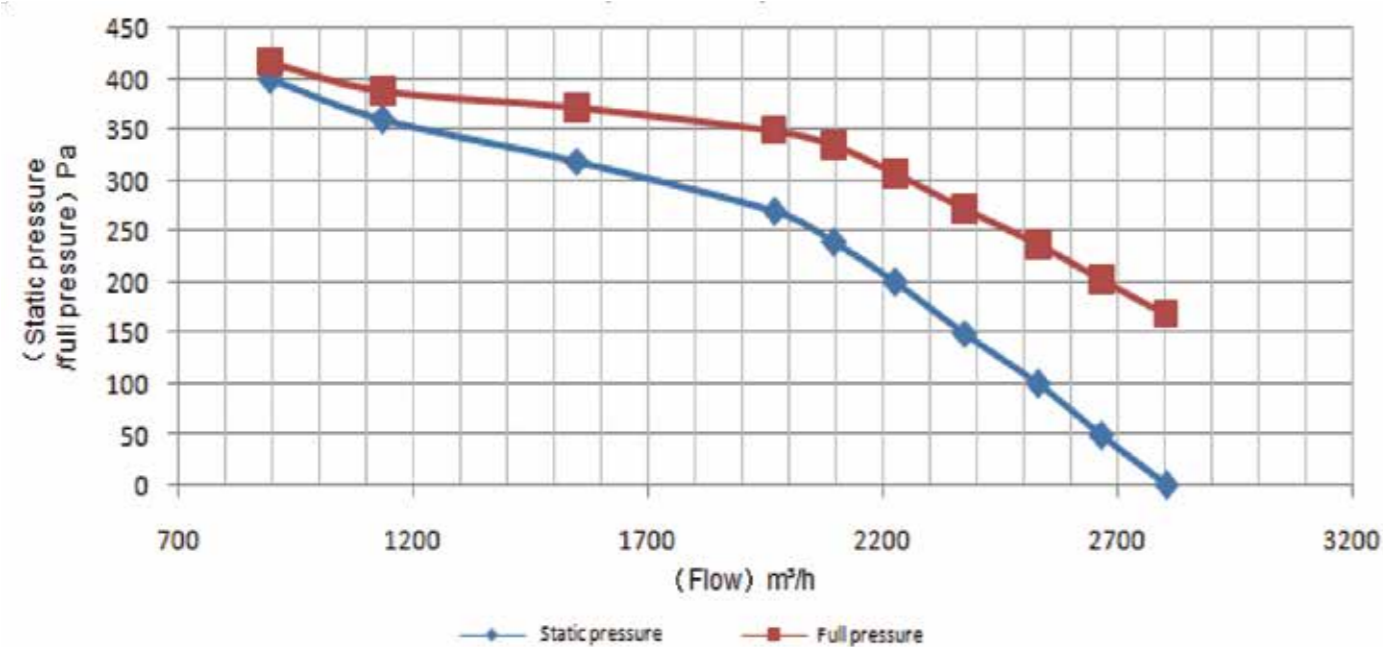
DD8-8 (EC Motor)



Technical Specifications

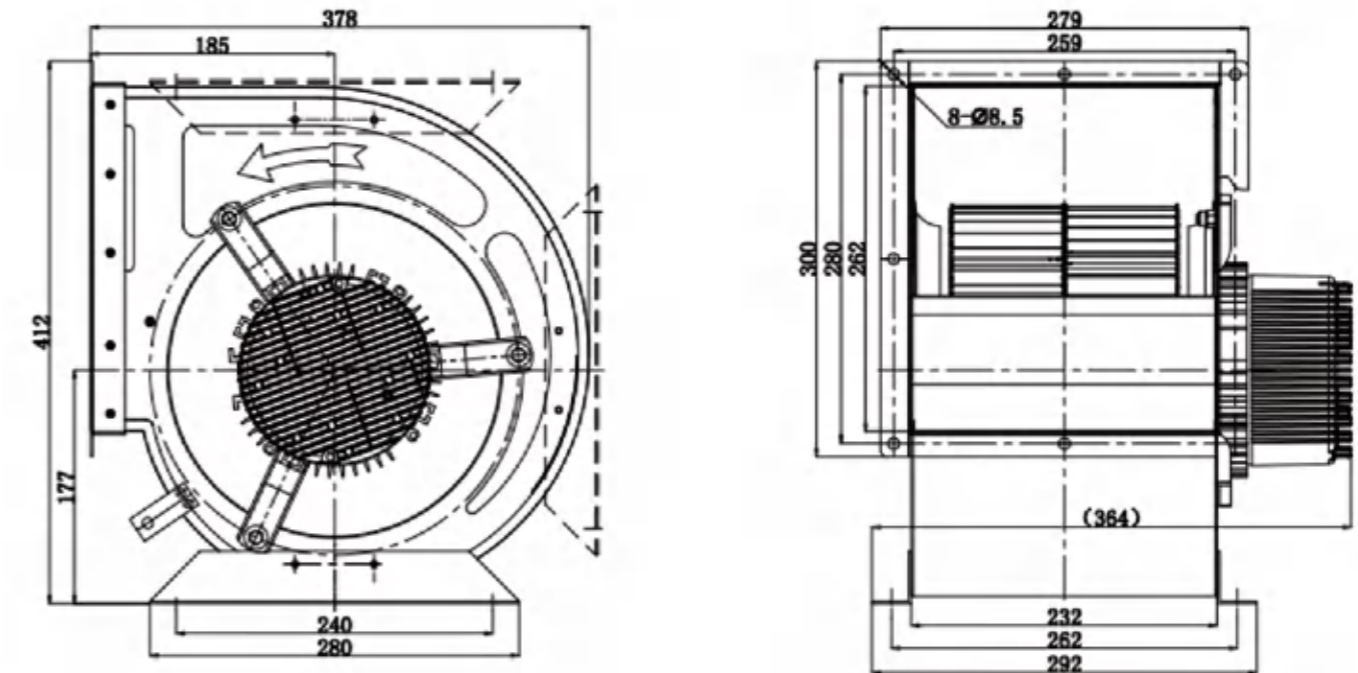
Model	Voltage	Frequency	Full Pressure	Flow Rate	Rotating Speed	Motor Power
LWDD8-8-EC	220V	50Hz	417~169Pa	898~2805m³/h	1440±10r/min	300W

Flow Rate Curve



Air Flow	Static Pressure	Total Pressure	Speed	Noise Level
898m³/h	400Pa	417Pa	1440r/min	64.9dB(A)
1138m³/h	360Pa	388Pa	1410r/min	65.2dB(A)
1549m³/h	320Pa	372Pa	1360r/min	66.2dB(A)
1969m³/h	270Pa	350Pa	1290r/min	66.4dB(A)
2097m³/h	240Pa	335Pa	1220r/min	66.5dB(A)
2229m³/h	200Pa	307Pa	1190r/min	66.8dB(A)
2376m³/h	150Pa	272Pa	1130r/min	66.9dB(A)
2532m³/h	100Pa	238Pa	1070r/min	67.3dB(A)
2666m³/h	50Pa	203Pa	1020r/min	67.5dB(A)
2805m³/h	0Pa	169Pa	970r/min	67.7dB(A)

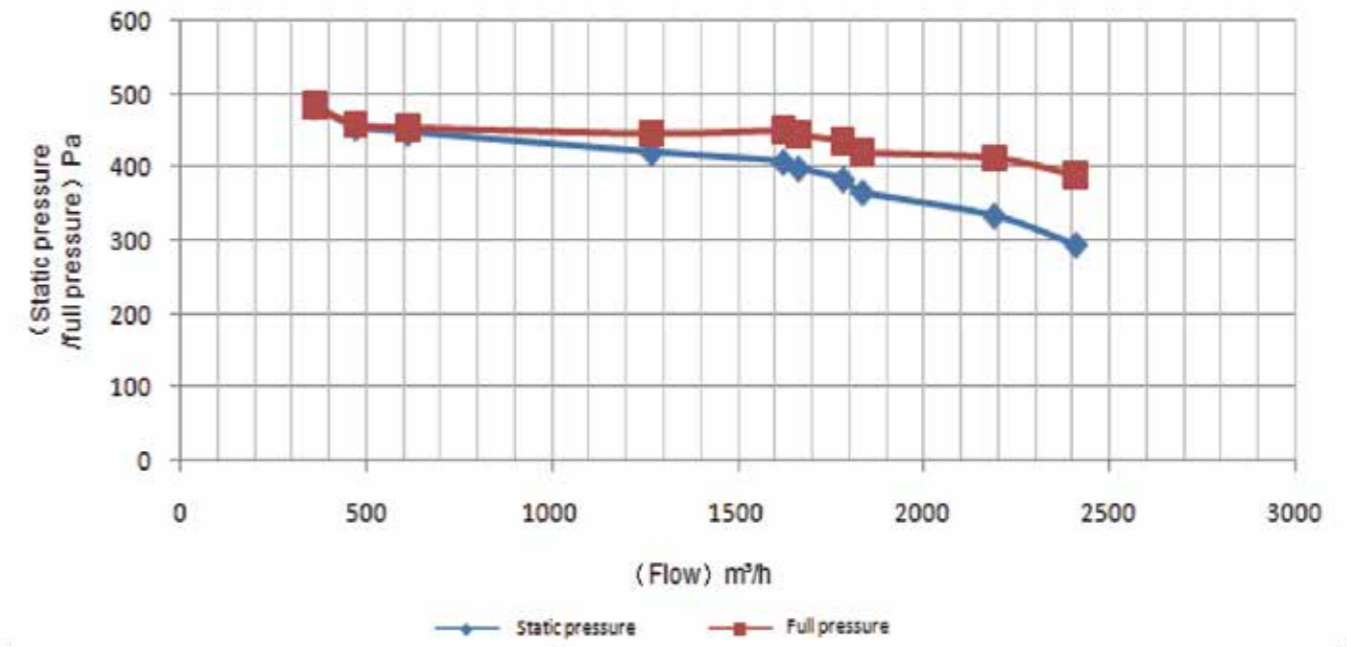
DD9-7 (EC Motor)



Technical Specifications

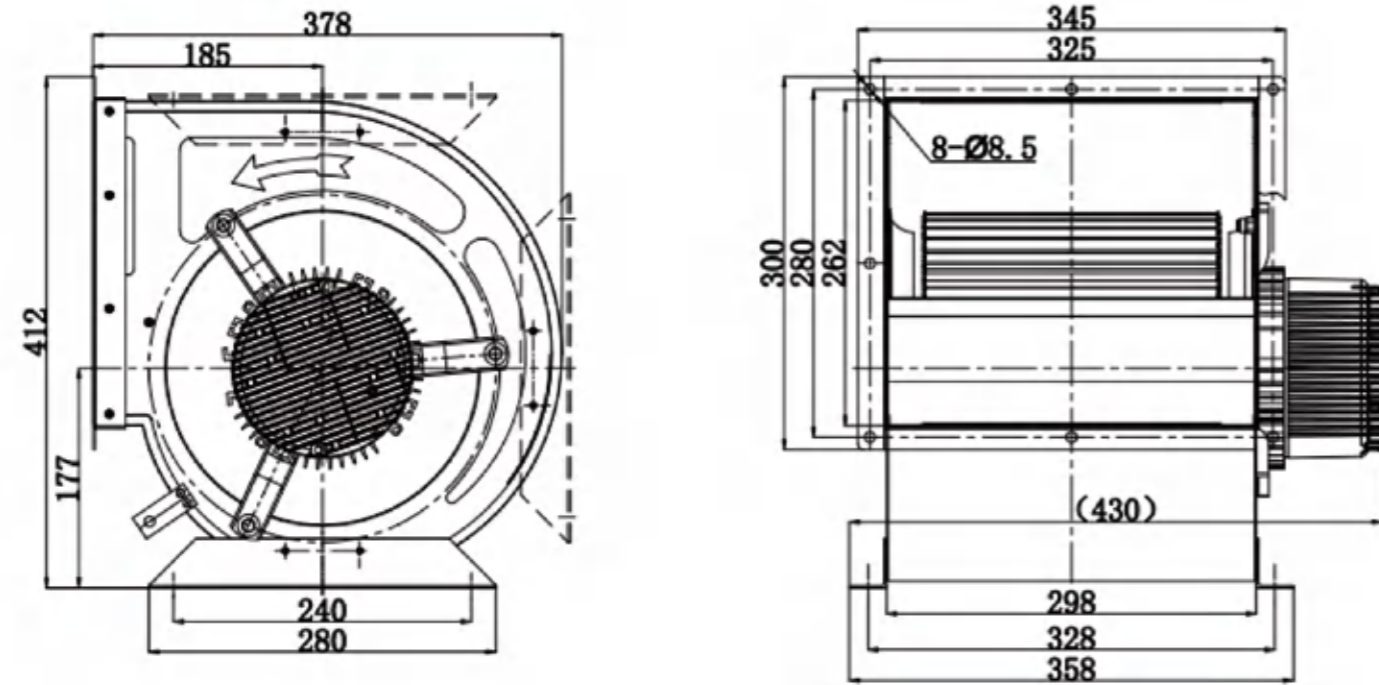
Model	Voltage	Frequency	Full Pressure	Flow Rate	Rotating Speed	Motor Power
LWDD9-7-EC	220V	50Hz	486~389Pa	363~2410m³/h	1440±10r/min	450W

Flow Rate Curve



Air Flow	Static Pressure	Total Pressure	Speed	Noise Level
363m³/h	484Pa	486Pa	1280r/min	67.0dB(A)
473m³/h	455Pa	459Pa	1310r/min	67.3dB(A)
614m³/h	448Pa	455Pa	1370r/min	67.8dB(A)
1269m³/h	421Pa	447Pa	1395r/min	66.3dB(A)
1623m³/h	408Pa	451Pa	1382r/min	66.9dB(A)
1664m³/h	399Pa	445Pa	1373r/min	67.5dB(A)
1784m³/h	384Pa	436Pa	1360r/min	67.4dB(A)
1836m³/h	366Pa	421Pa	1341r/min	67.0dB(A)
2190m³/h	334Pa	413Pa	1325r/min	66.1dB(A)
2410m³/h	294Pa	389Pa	1309r/min	65.6dB(A)

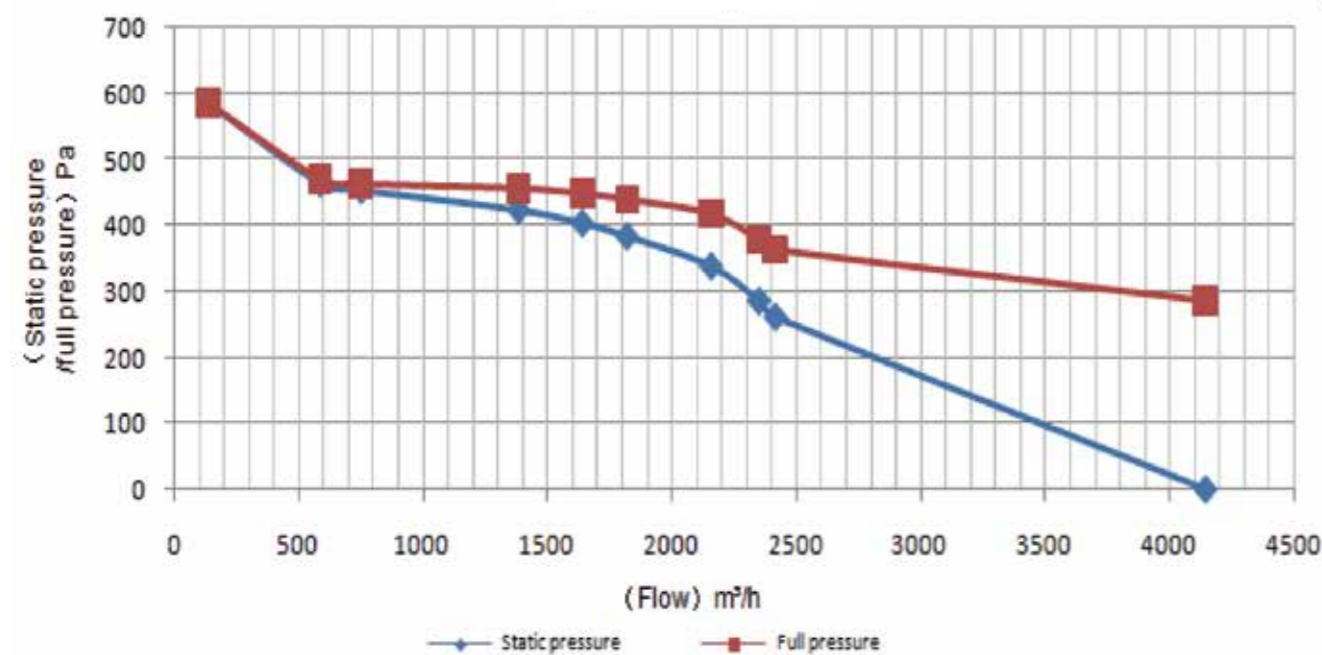
DD9-9 (EC Motor)



Technical Specifications

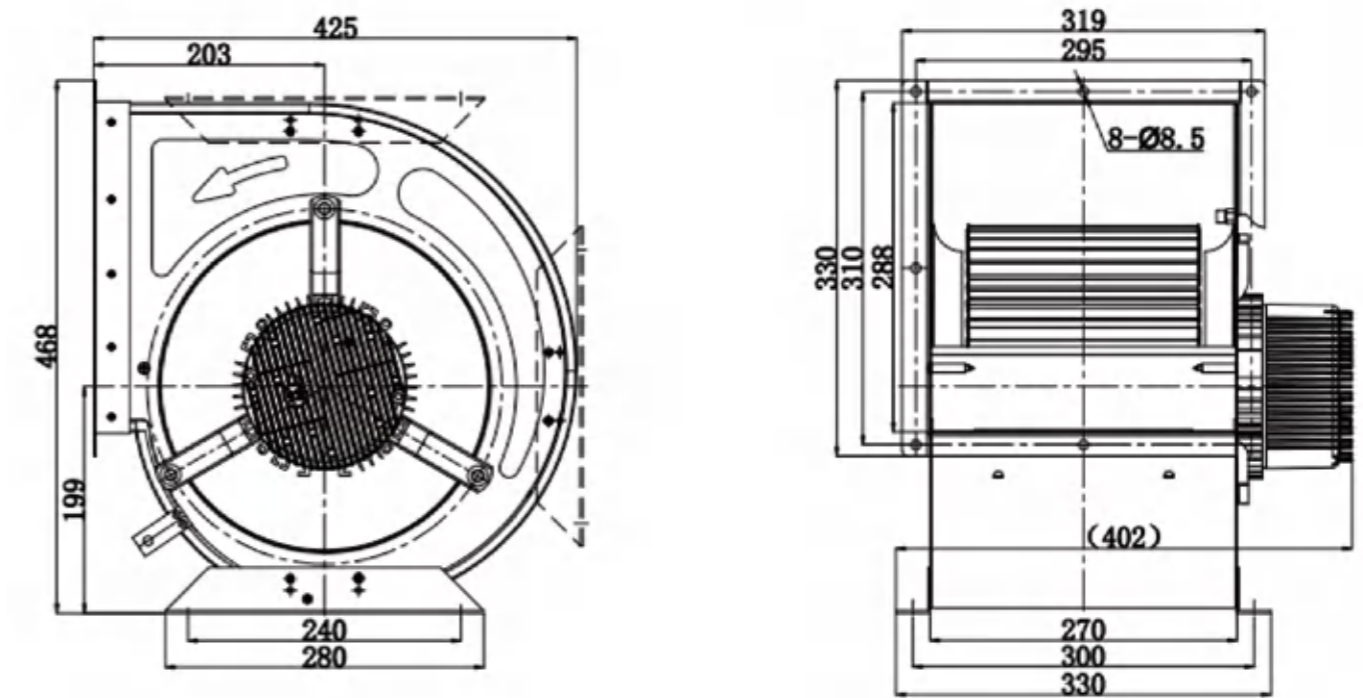
Model	Voltage	Frequency	Full Pressure	Flow Rate	Rotating Speed	Motor Power
LWDD9-9-EC	220V	50Hz	587~285Pa	139~4146m³/h	1440±10r/min	450W

Flow Rate Curve



Air Flow	Static Pressure	Total Pressure	Speed	Noise Level
139m³/h	587Pa	587Pa	1444r/min	63.2dB(A)
590m³/h	465Pa	471Pa	1436r/min	64.2dB(A)
755m³/h	455Pa	464Pa	1427r/min	64.4dB(A)
1387m³/h	425Pa	457Pa	1399r/min	64.0dB(A)
1643m³/h	405Pa	449Pa	1370r/min	64.2dB(A)
1823m³/h	385Pa	440Pa	1362r/min	64.8dB(A)
2161m³/h	340Pa	418Pa	1348r/min	65.2dB(A)
2353m³/h	287Pa	378Pa	1315r/min	65.9dB(A)
2419m³/h	263Pa	363Pa	1211r/min	65.9dB(A)
4146m³/h	2.4Pa	285Pa	1176r/min	66.8dB(A)

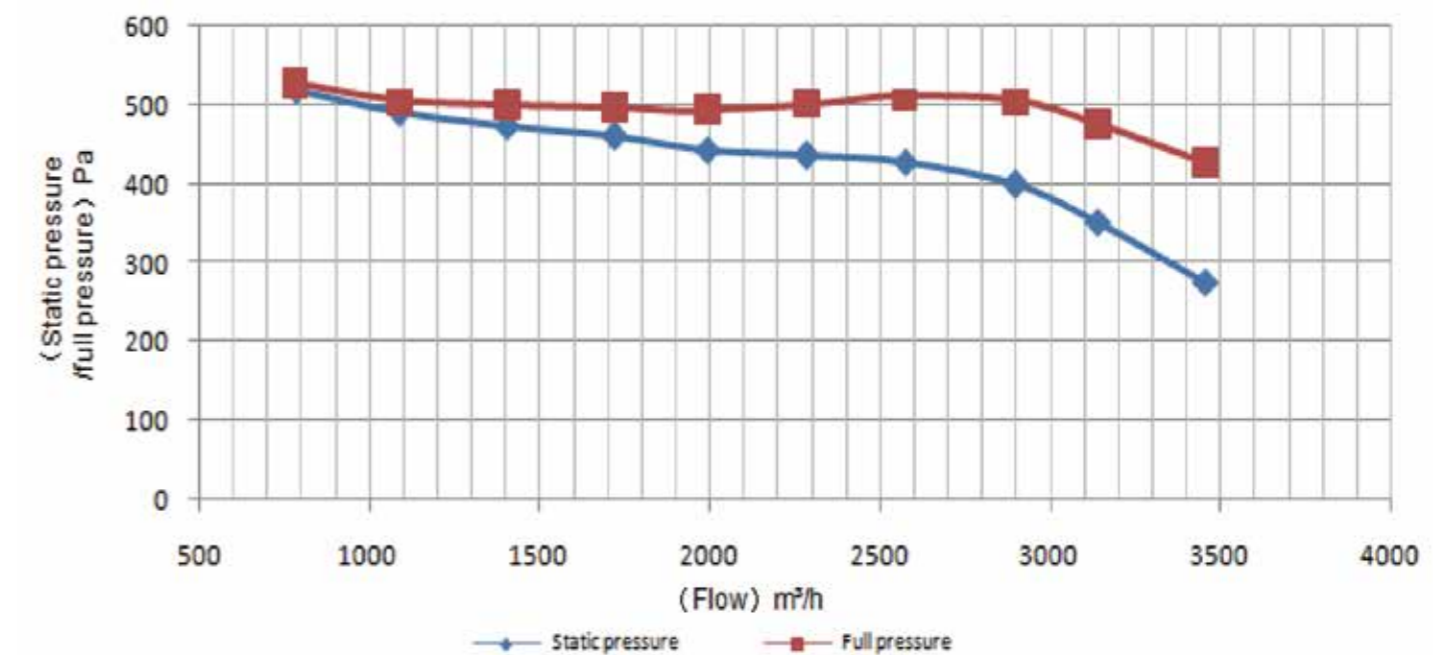
DD10-8 (EC Motor)



Technical Specifications

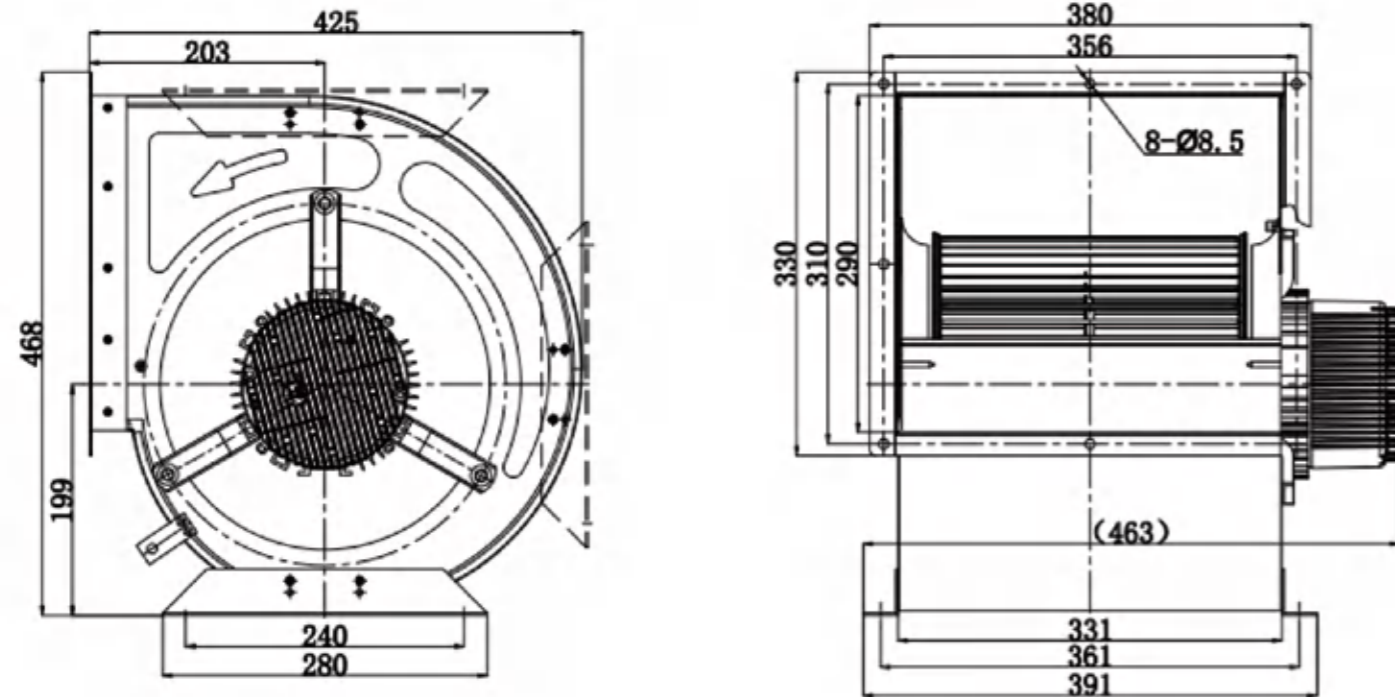
Model	Voltage	Frequency	Full Pressure	Flow Rate	Rotating Speed	Motor Power
LWDD10-8-EC	220V	50Hz	528~427Pa	785~3458m³/h	1440±10r/min	550W

Flow Rate Curve



Air Flow	Static Pressure	Total Pressure	Speed	Noise Level
785m³/h	520Pa	528Pa	1445r/min	63.5dB(A)
1090m³/h	491Pa	506Pa	1438r/min	63.2dB(A)
1407m³/h	475Pa	500Pa	1429r/min	64.1dB(A)
1723m³/h	460Pa	497Pa	1411r/min	64.7dB(A)
1995m³/h	444Pa	494Pa	1377r/min	63.8dB(A)
2289m³/h	436Pa	502Pa	1343r/min	65.0dB(A)
2575m³/h	429Pa	512Pa	1301r/min	64.1dB(A)
2901m³/h	400Pa	506Pa	1253r/min	65.5dB(A)
3142m³/h	353Pa	477Pa	1193r/min	65.8dB(A)
3458m³/h	277Pa	427Pa	1106r/min	66.2dB(A)

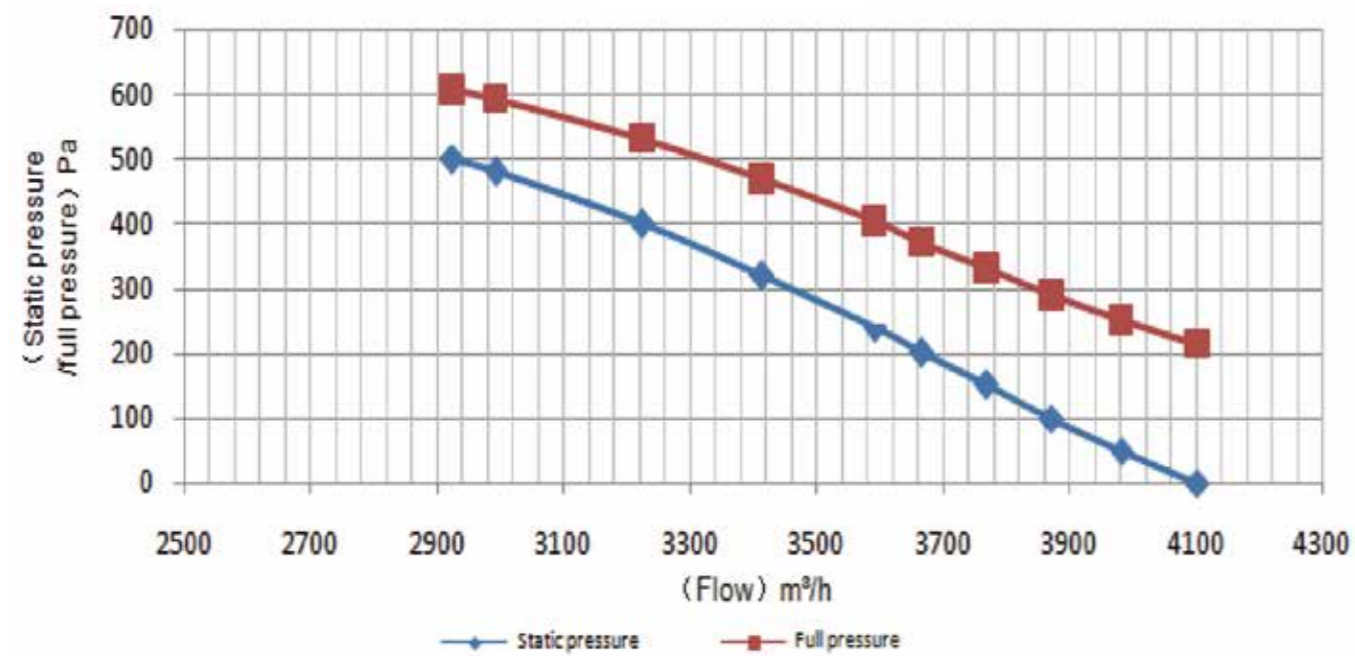
DD10-10 (EC Motor)



Technical Specifications

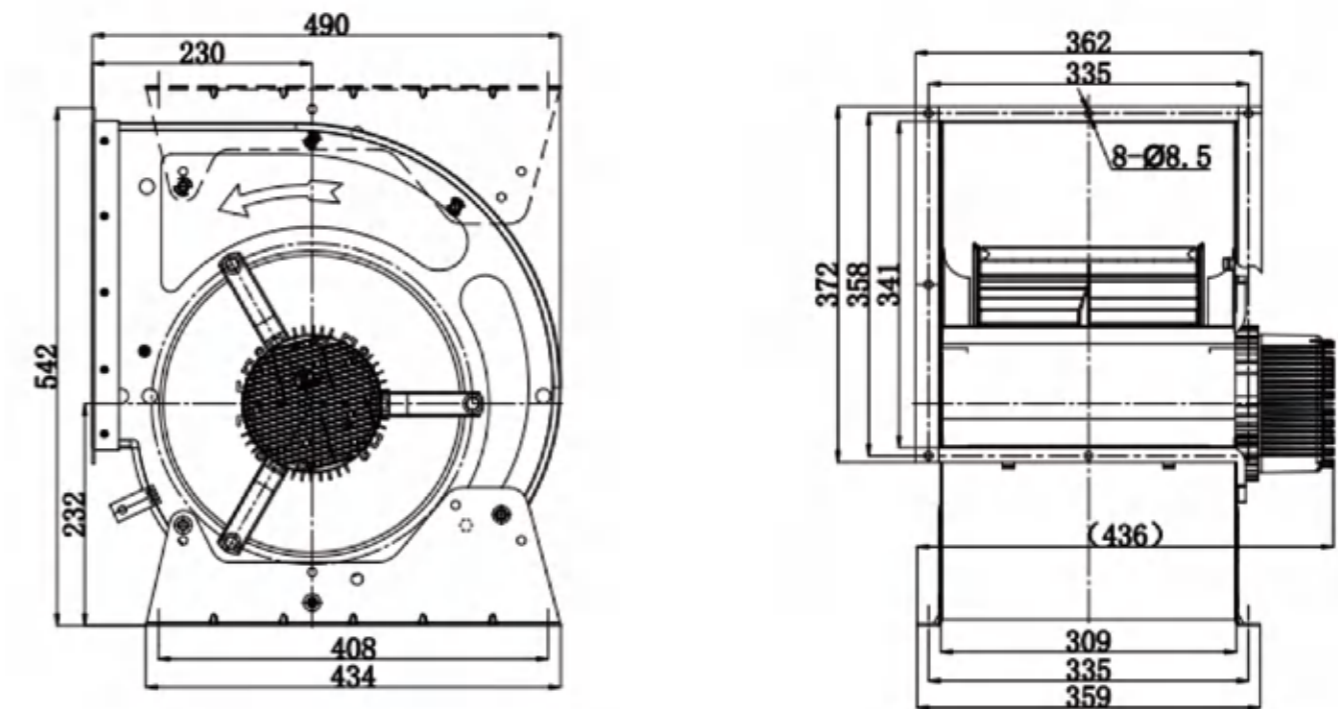
Model	Voltage	Frequency	Full Pressure	Flow Rate	Rotating Speed	Motor Power
LWDD10-10-EC	220V	50Hz	608~214Pa	2923~4102m³/h	1440±30r/min	750W

Flow Rate Curve



Air Flow	Static Pressure	Total Pressure	Speed	Noise Level
2923m³/h	500Pa	608Pa	1465r/min	65.5dB(A)
2993m³/h	480Pa	594Pa	1430r/min	65.6dB(A)
3224m³/h	400Pa	532Pa	1320r/min	66.3dB(A)
3413m³/h	320Pa	468Pa	1230r/min	67.5dB(A)
3592m³/h	240Pa	404Pa	1140r/min	68.5dB(A)
3667m³/h	200Pa	371Pa	1100r/min	68.8dB(A)
3769m³/h	150Pa	330Pa	1030r/min	69.0dB(A)
3871m³/h	100Pa	290Pa	990r/min	69.2dB(A)
3982m³/h	50Pa	251Pa	930r/min	69.5dB(A)
4102m³/h	0Pa	214Pa	860r/min	69.7dB(A)

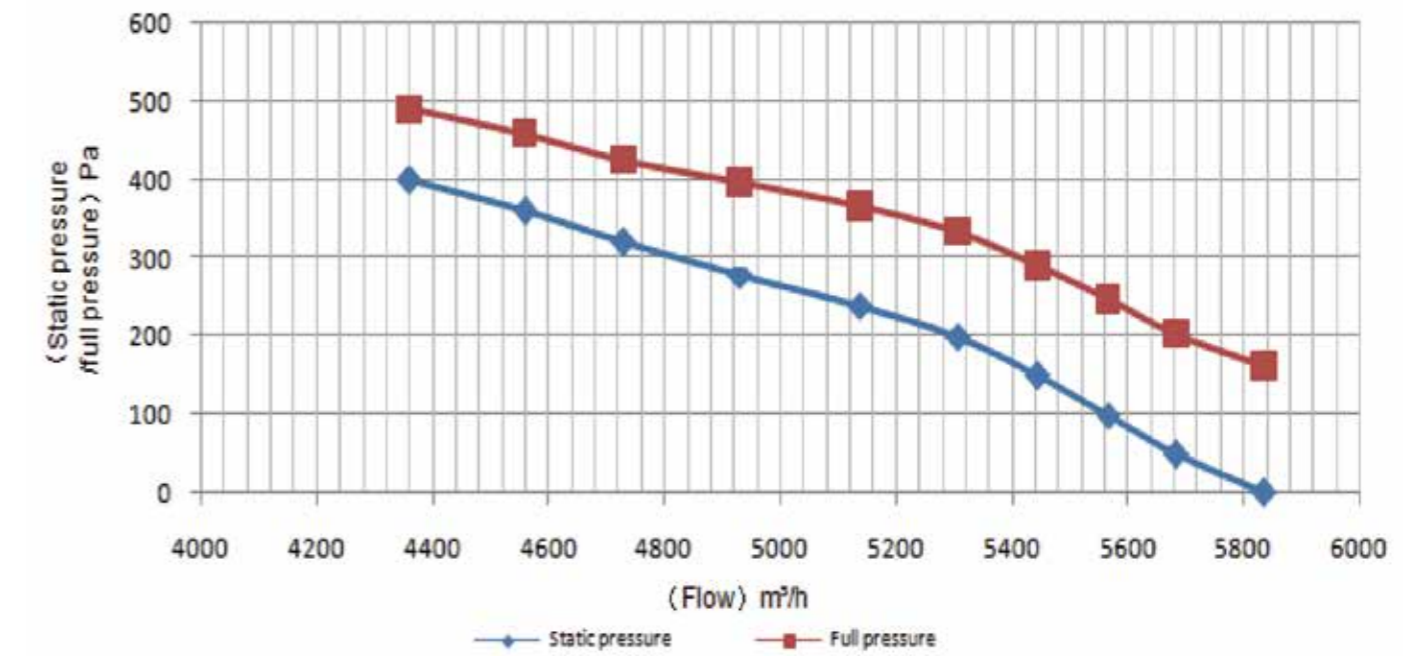
DD12-9 (EC Motor)



Technical Specifications

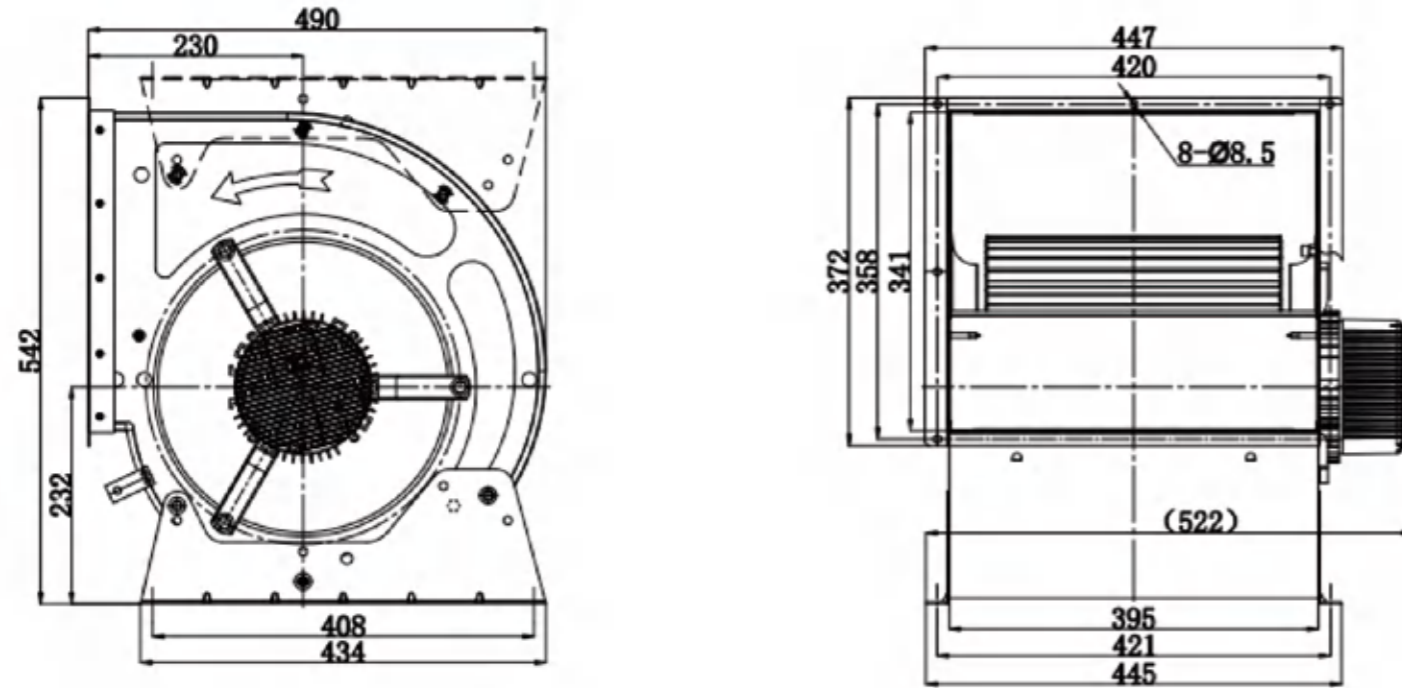
Model	Voltage	Frequency	Full Pressure	Flow Rate	Rotating Speed	Motor Power
LWDD12-9-EC	220V	50Hz	491~162Pa	4362~5836m³/h	1100±10r/min	900W

Flow Rate Curve



Air Flow	Static Pressure	Total Pressure	Speed	Noise Level
4362m³/h	400Pa	491Pa	1100r/min	70.0dB(A)
4560m³/h	360Pa	459Pa	1070r/min	70.1dB(A)
4730m³/h	320Pa	426Pa	1030r/min	70.3dB(A)
4931m³/h	280Pa	396Pa	1000r/min	70.7dB(A)
5138m³/h	240Pa	366Pa	965r/min	71.0dB(A)
5308m³/h	200Pa	334Pa	930r/min	71.1dB(A)
5446m³/h	150Pa	291Pa	880r/min	71.1dB(A)
5567m³/h	100Pa	247Pa	840r/min	71.2dB(A)
5686m³/h	50Pa	203Pa	790r/min	71.3dB(A)
5836m³/h	0Pa	162Pa	720r/min	71.5dB(A)

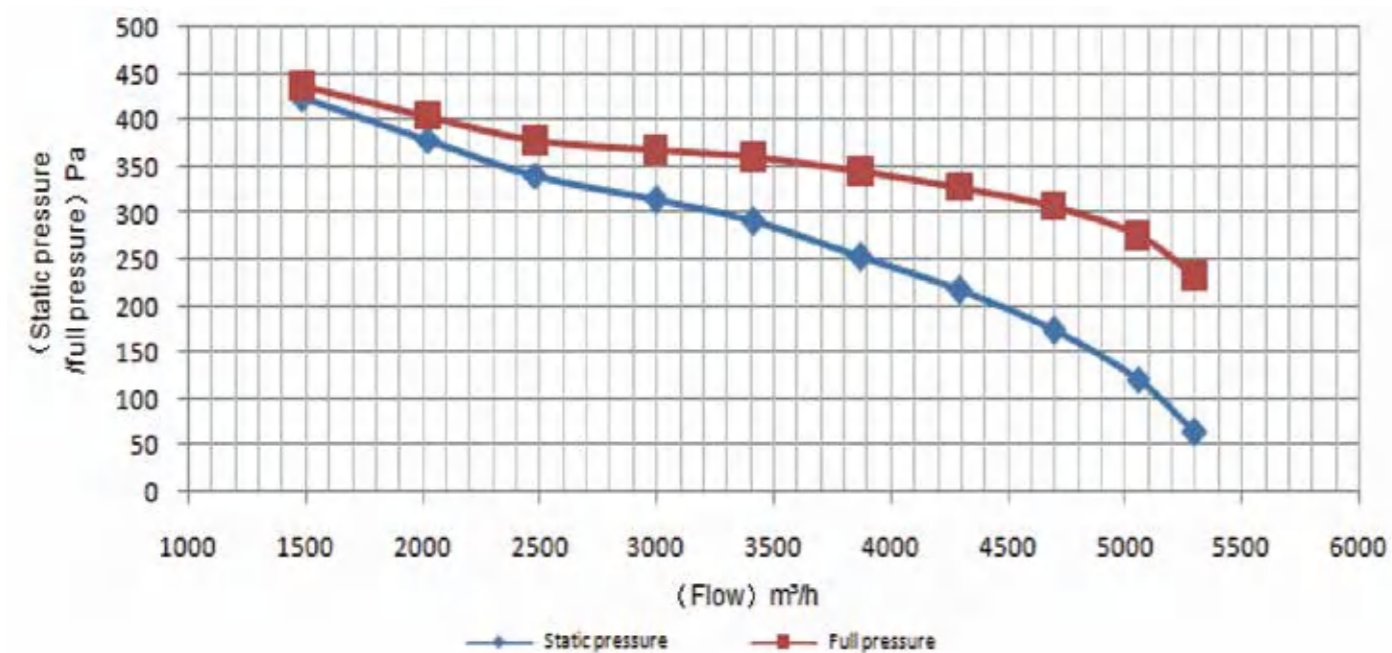
DD12-12 (EC Motor)



Technical Specifications

Model	Voltage	Frequency	Full Pressure	Flow Rate	Rotating Speed	Motor Power
LWDD12-12-EC	220V	50Hz	437~233Pa	1489~5298m³/h	960±10r/min	900W

Flow Rate Curve



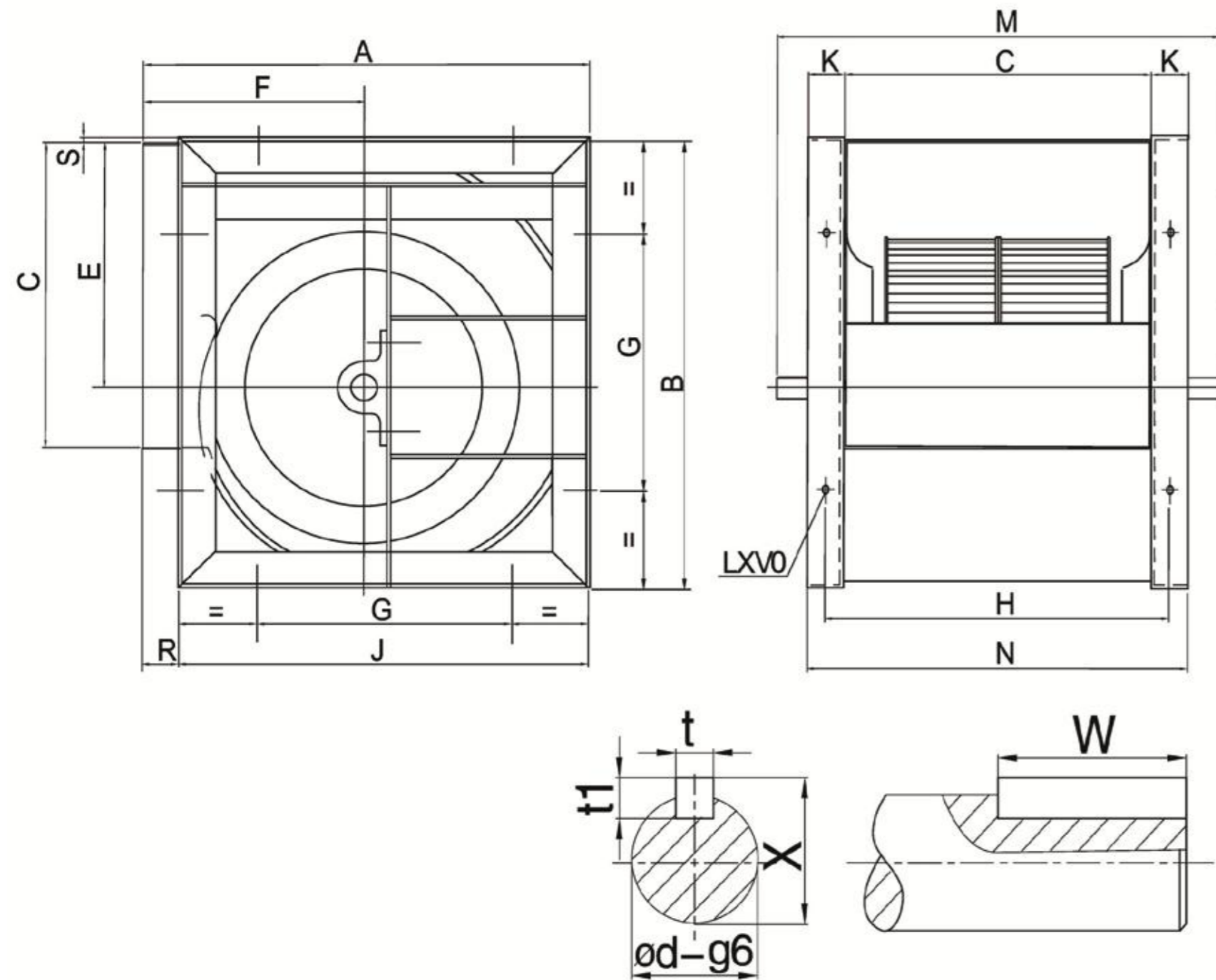
Air Flow	Static Pressure	Total Pressure	Speed	Noise Level
1489m³/h	424Pa	437Pa	1095r/min	66.3dB(A)
2025m³/h	380Pa	405Pa	1065r/min	66.6dB(A)
2484m³/h	341Pa	378Pa	1025r/min	67.2dB(A)
2998m³/h	314Pa	368Pa	1003r/min	67.8dB(A)
3415m³/h	291Pa	361Pa	960r/min	68.7dB(A)
3877m³/h	253Pa	345Pa	910r/min	69.0dB(A)
4294m³/h	218Pa	329Pa	871r/min	70.5dB(A)
4697m³/h	175Pa	308Pa	829r/min	71.3dB(A)
5059m³/h	122Pa	277Pa	783r/min	70.7dB(A)
5298m³/h	64Pa	233Pa	722r/min	70.4dB(A)

ADH Series Centrifugal Blower

Professional HVAC Fan & Motors Manufacturer



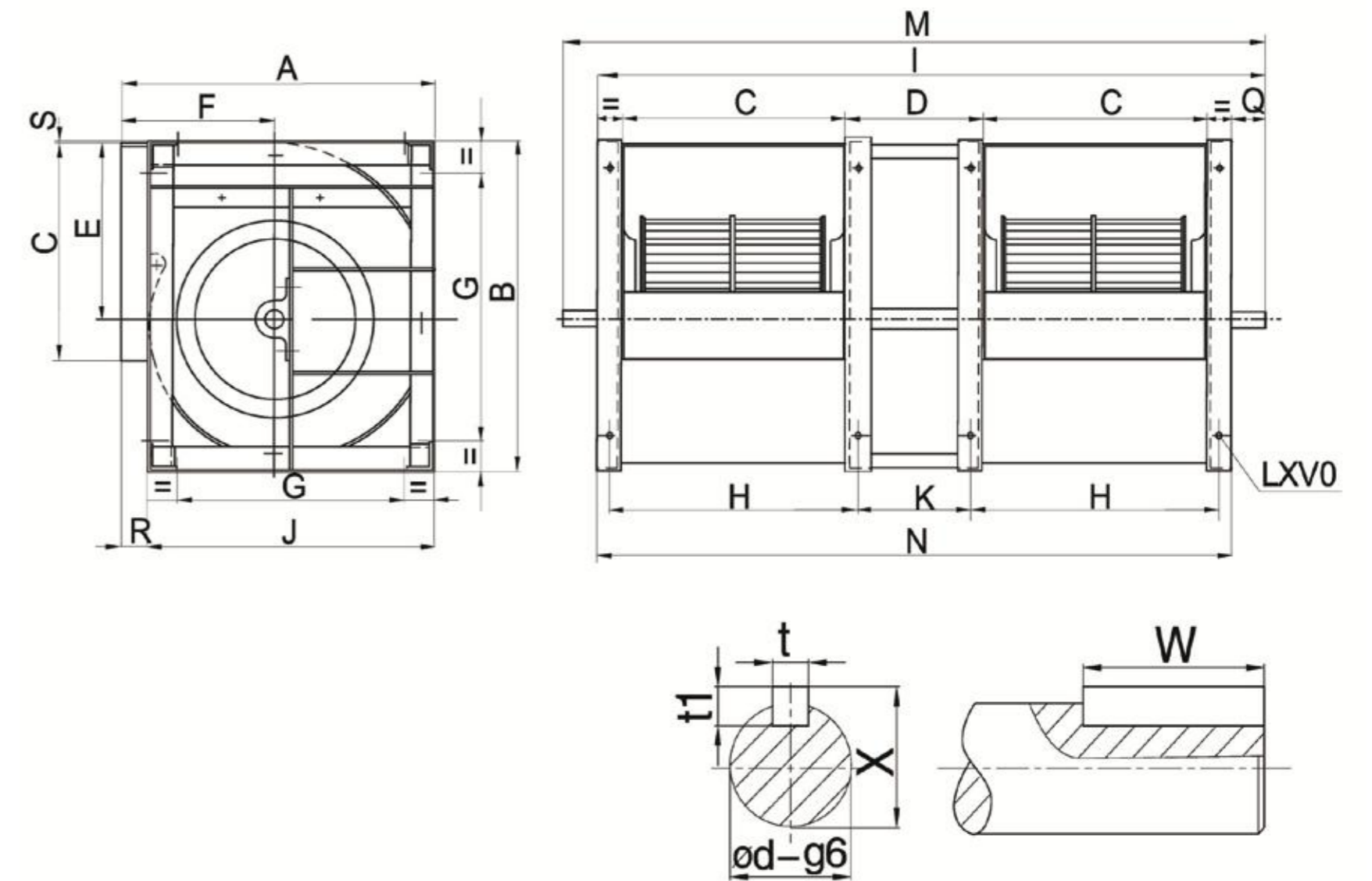
ADH - K



Technical Specifications

Model	A	B	C	E	F	G	H	J	K	M	N	R	S	t	t1	W	X	Φd	LxV
280	466	518	361	302	215	280	391	432	30	580	421	34	5	8	7	40	33	30	13×18
315	518	578	404	340	236	280	434	480	30	625	464	38	3	8	7	40	33	30	13×18
355	578	655	453	383	261	355	493	548	40	685	533	30	6	10	8	50	38	35	13×18
400	651	736	507	431.5	290	355	547	613	40	790	587	38	4.5	10	8	70	38	35	13×18
450	726	827	569	486	322	530	609	681	40	850	649	45	5	12	8	70	43	40	13×18
500	800	918	638	538	352	530	678	750	40	920	718	50	5	12	8	70	43	40	13×18
560	893	1030	715	602	390	530	765	845	50	1070	815	48	8	14	9	90	53.5	50	13×18
630	999	1157	801	678.5	434	530	851	946	50	1155	901	53	7	14	9	90	53.5	50	13×18
710	1121	1303	898	765	485	630	948	1058	50	1290	998	63	7	18	11	90	64	60	17×22
800	1250	1468	1007	862	535	710	1057	1181	50	1450	1107	69	7	18	11	90	64	60	17×22
900	1408	1648	1130	971	604	800	1180	1319	60	1570	1250	89	9	18	11	100	64	60	17×22
1000	1541	1810	1267	1066	657	900	1317	1462	60	1700	1387	79	9	18	11	100	64	60	17×22

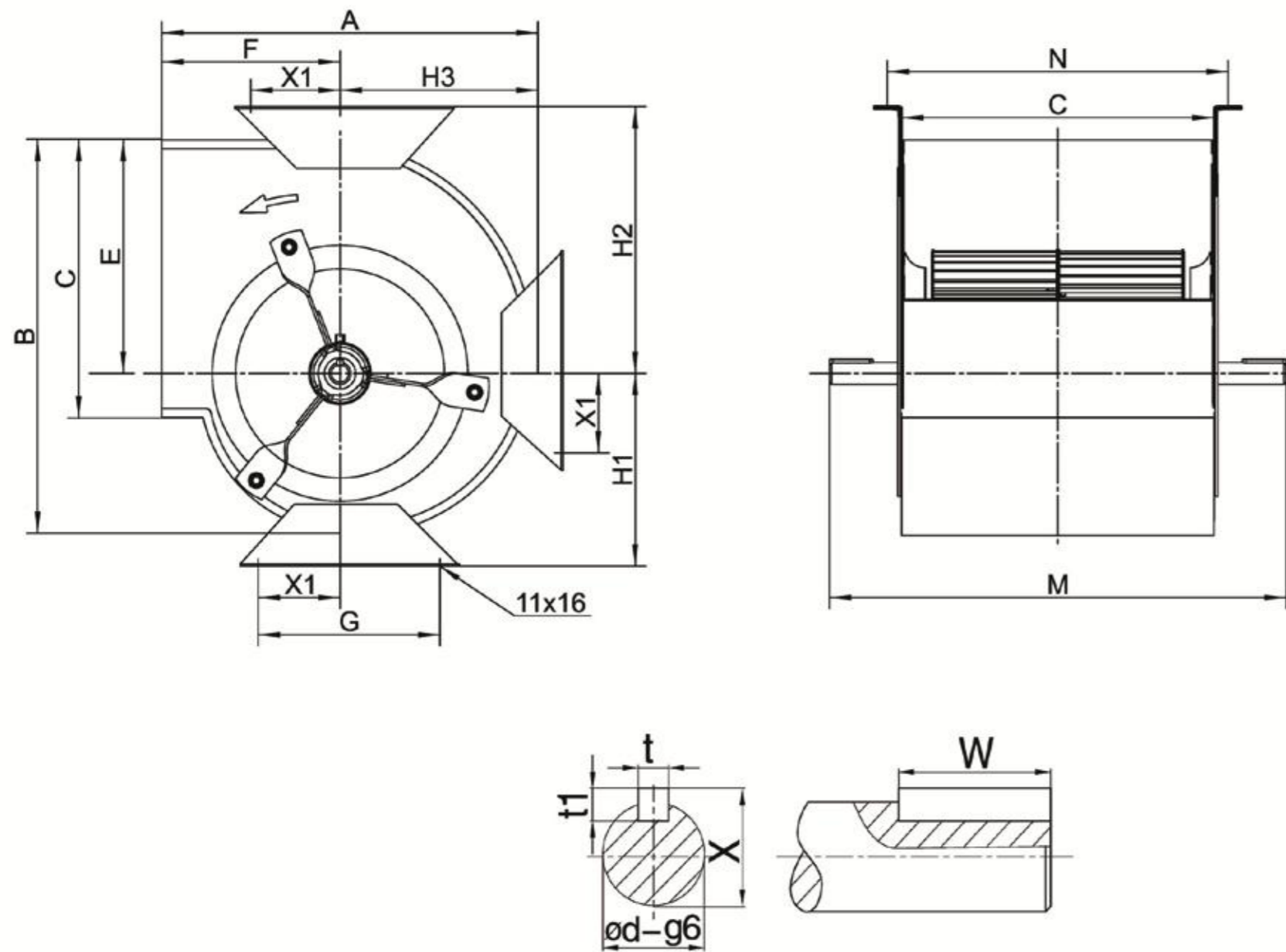
ADH - K2



Technical Specifications

Model	A	B	C	D	E	F	G	H	I	J	K	M	N	Q	R	S	t	t1	Φd	W	X	LxV
355	578	655	453	355	383	261	355	493	1451	548	315	/	1341	110	30	6	8	8	40	70	43	13×18
400	651	736	507	400	431.5	290	355	547	1604	613	360	/	1494	110	38	4.5	8	8	40	70	43	13×18
450	726	827	569	450	486	322	530	609	1803	681	410	/	1668	135	45	5	9	9	45	90	48.5	13×18
500	800	918	638	500	538	352	530	678	1991	750	460	/	1856	135	50	5	9	9	50	90	53.5	13×18
560	893	1030	712	560	603	390	530	765	2217.5	845	510	2345	2090	127.5	48	8	9	9	50	90	53.5	13×18
630	999	1157	801	630	678.5	434	530	851	2459	946	580	2586	2332	127	53	7	9	9	50	90	53.5	13×18
710	1121	1303	898	710	765	485	630	948	2752	1058	660	2898	2606	146	63	7	11	11	60	90	64	17×22
800	1250	1468	1007	800	862	535	710	1057	3085.5	1181	750	3257	2914	171.5	69	7	11	11	60	90	64	17×22
900	1408	1648	1130	900	971	604	800	1180	3420	1319	850	3580	3260	160	89	9	11	11	60	100	64	17×22
1000	1541	1810	1267	1000	1066	657	900	1317	3790.5	1462	950	3947	3634	156.5	79	9	11	11	60	100	64	17×22

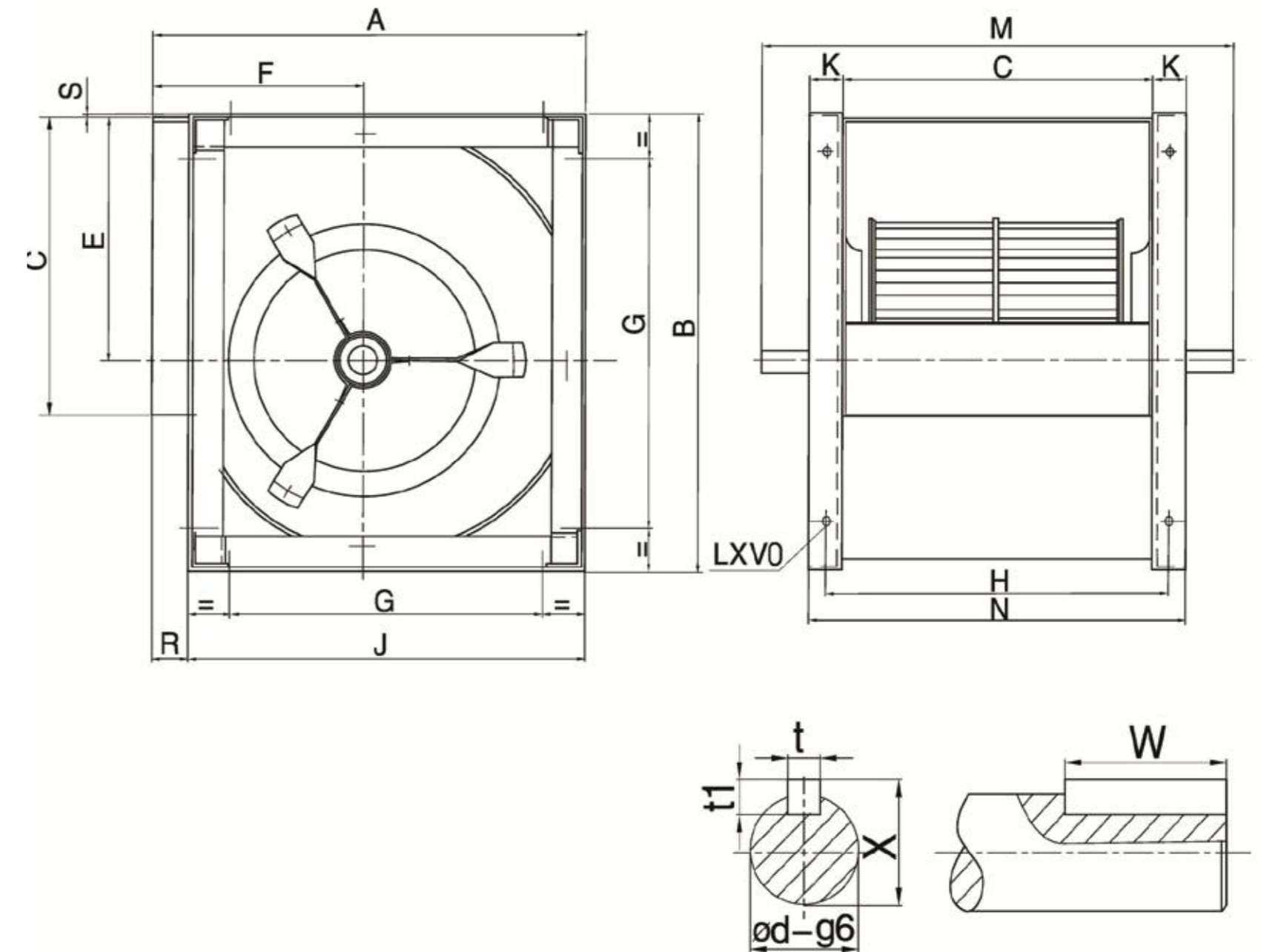
ADH-L



Technical Specifications

Model	A	B	C	E	F	G	J	M	N	X1	H1	H2	H3	t	t1	X	W	Φd
200	342	364	256	215	164	224	281	420	306	112	181	245	184	6	6	22.5	40	20
225	380	407.8	288	243	180	224	313	460	338	112	197	274	204	6	6	22.5	50	20
250	417	454	322	270	195	224	347	490	372	112	210	299	227	6	6	22.5	50	20

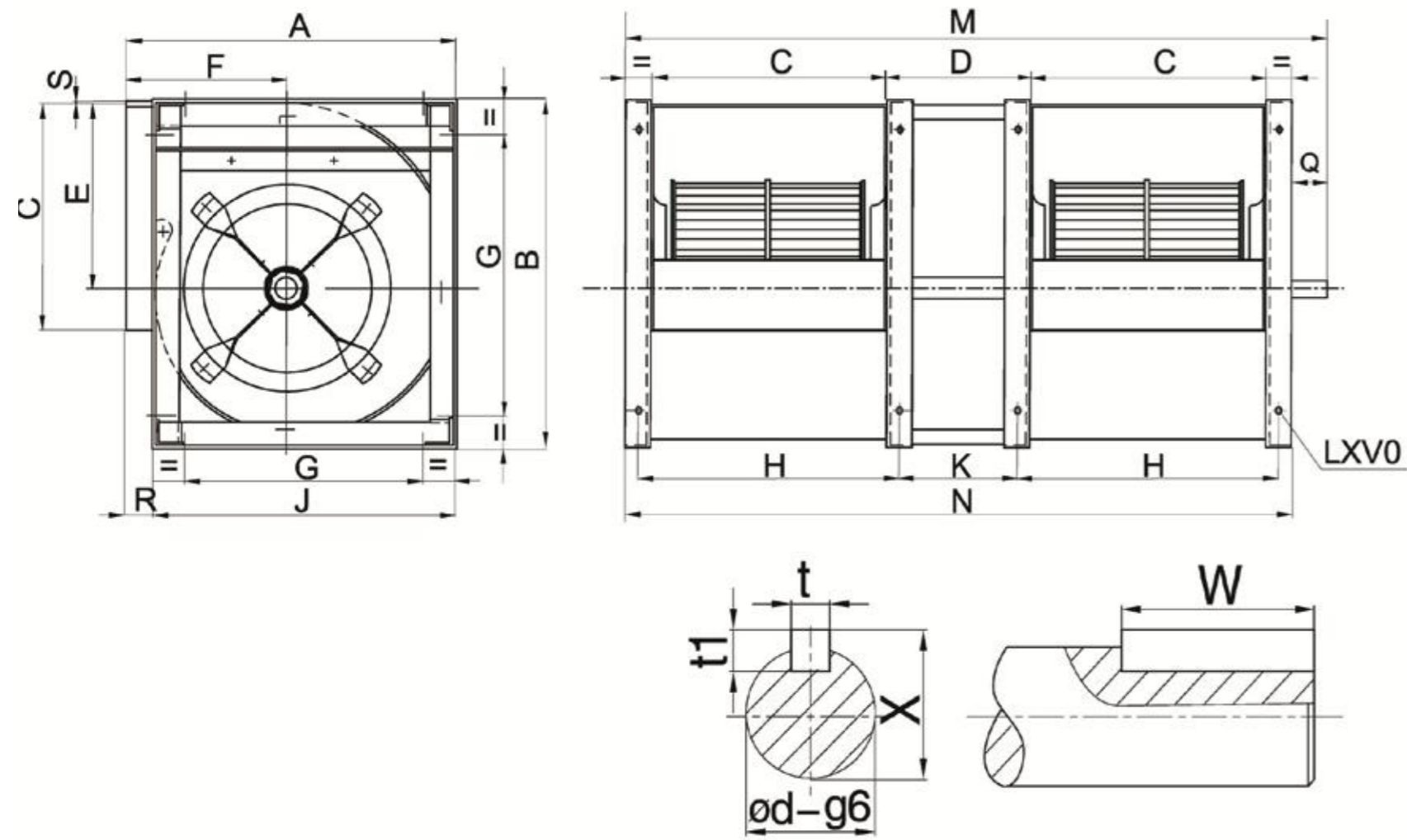
ADH - R



Technical Specifications

Model	A	B	C	E	F	G	H	J	K	M	N	R	S	t	t1	W	X	Φd	LxV
280	466	518	361	302	215	280	391	432	30	555	421	34	5	8	7	40	28	25	13×18
315	518	578	404	340	236	280	434	480	30	600	464	38	3	8	7	40	28	25	13×18
355	578	655	453	383	261	355	493	548	40	675	533	30	6	8	7	65	33	30	13×18
400	651	736	507	431.5	290	355	547	613	40	725	587	38	4.5	8	7	65	33	30	13×18
450	726	827	569	486	322	530	609	681	40	815	649	45	5	10	8	70	38	35	13×18
500	800	914	638	538	352	530	678	750	40	885	718	50	5	10	8	50	38	35	13×18
560	893	1030	715	602	390	530	765	845	50	1000	815	48	8	12	8	70	43	40	13×18
630	999	1157	801	678.5	434	530	851	946	50	1090	901	53	7	14	9	70	48.5	45	13×18
710	1121	1303	898	765	485	630	948	1058	50	1255	998	63	7	14	9	90	53.5	50	17×22

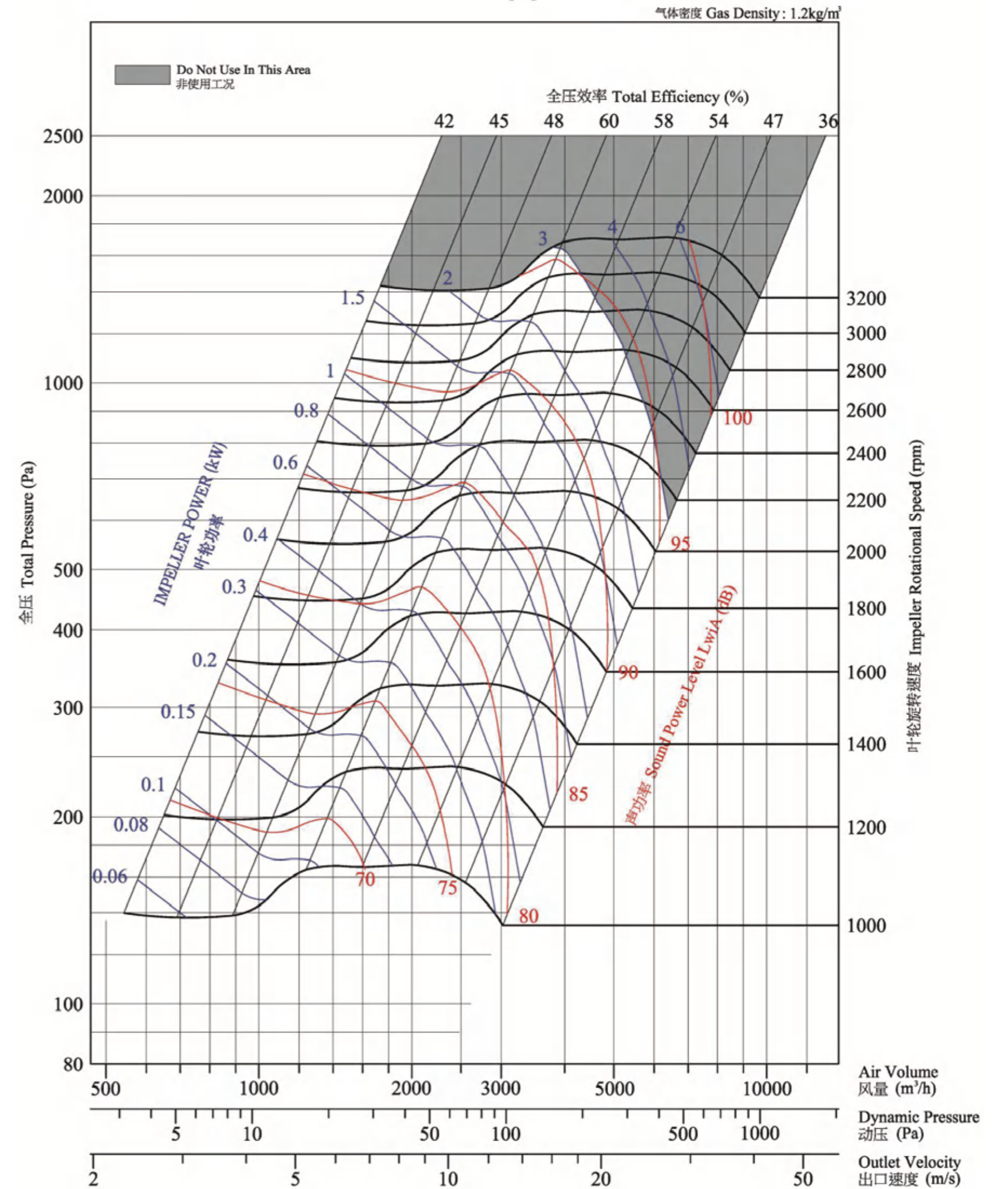
ADH - R2



Technical Specifications

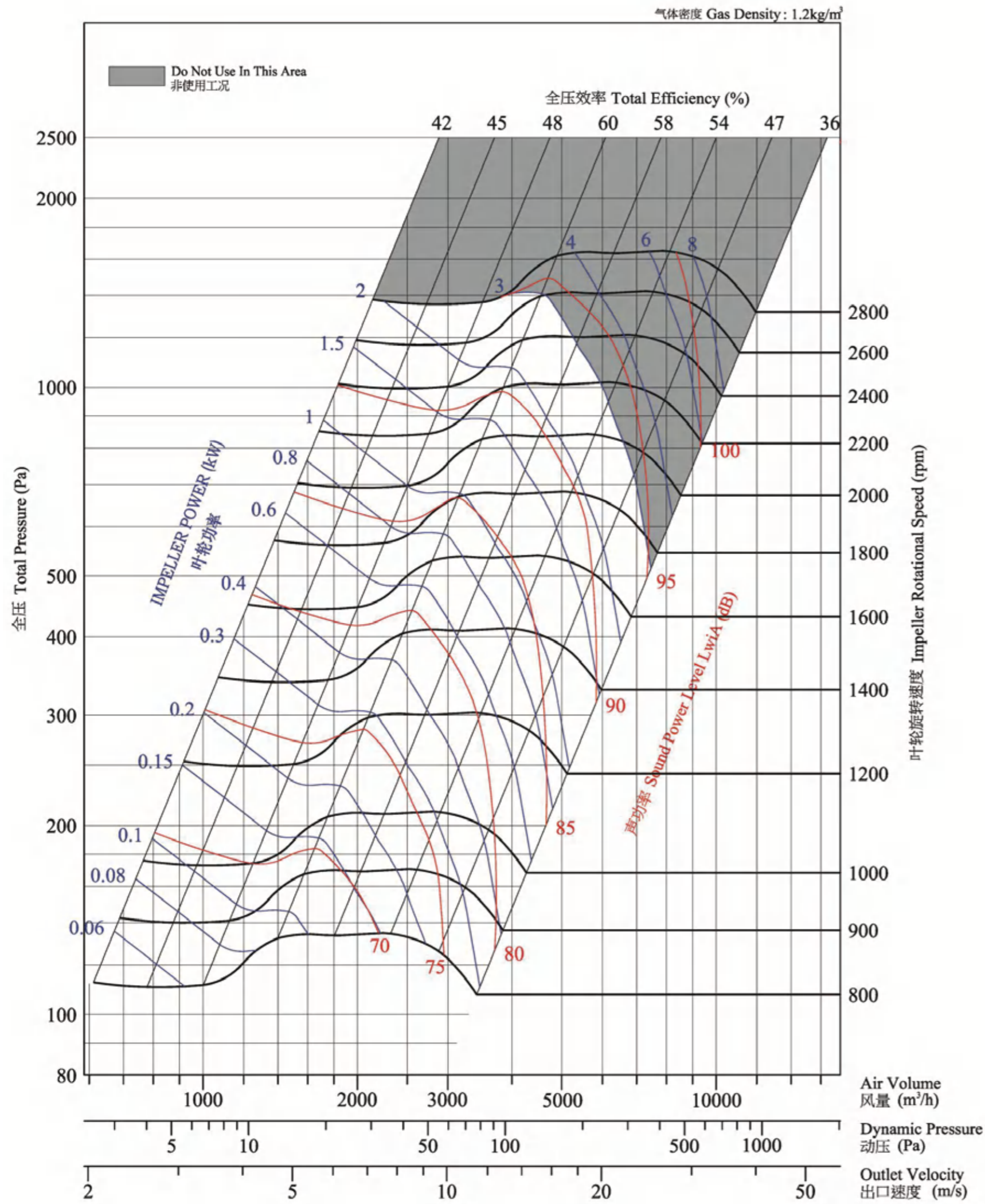
Model	A	B	C	D	E	F	G	H	J	K	M	N	Q	R	S	t	t1	W	X	Φd	LxV
280	466	518	361	280	302	215	280	391	432	250	1140	1062	78	34	5	8	7	60	33	30	13×18
315	518	578	404	315	340	236	280	434	480	285	1263	1183	80	38	3	8	7	60	33	30	13×18
355	578	655	453	355	383	261	355	493	548	315	1431	1341	90	30	6	10	8	50	38	35	13×18
400	650	736	507	400	432	290	355	547	612	360	1582	1494	98	38	4	10	8	50	38	35	13×18
450	726	827	569	450	486	322	530	609	681	410	1768	1668	100	45	5	12	8	70	43	40	13×18
500	800	918	638	500	538	352	530	678	750	460	1956	1856	100	50	5	12	8	70	43	40	13×18

ADH - 200



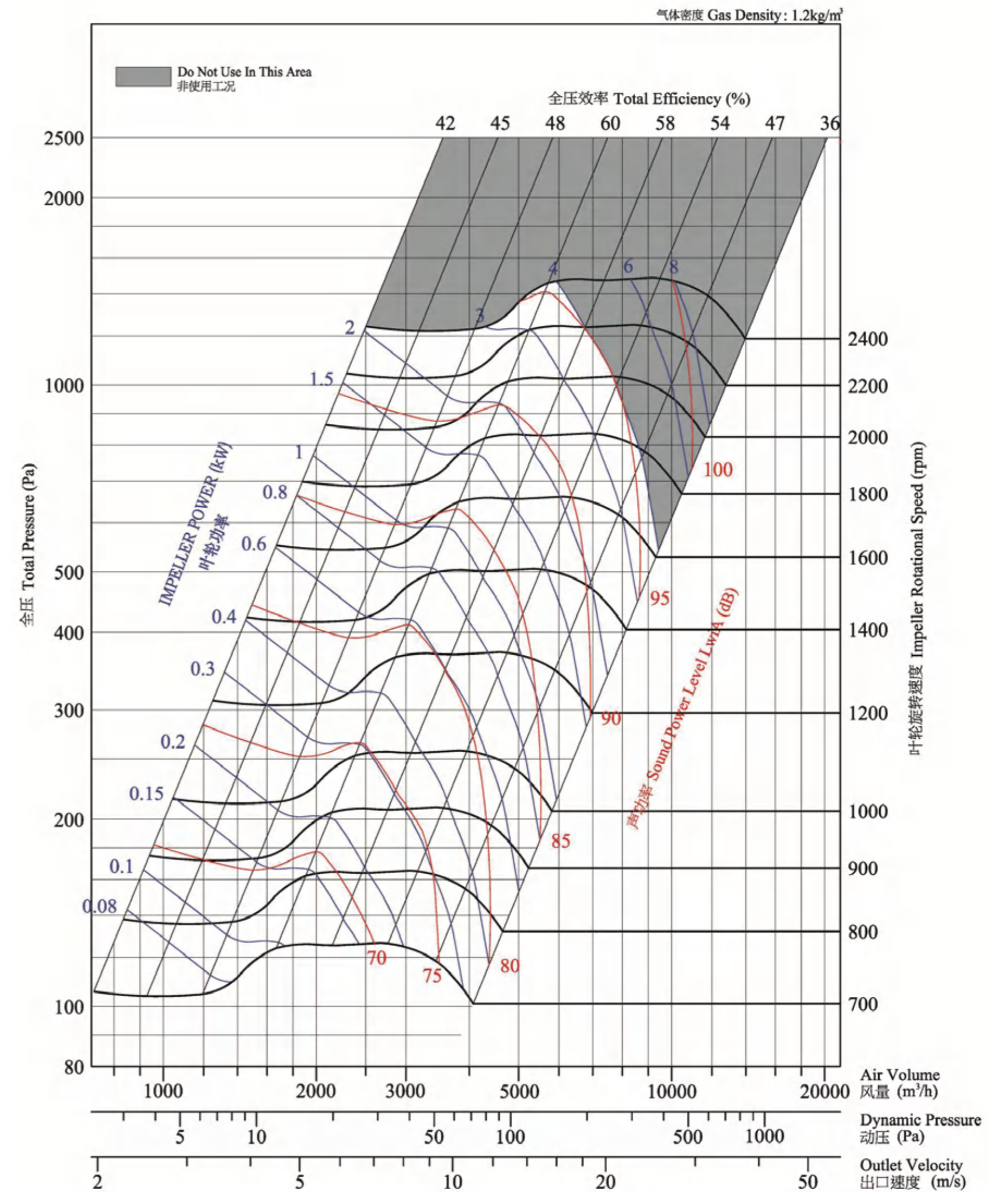
Performance shown is for installation type B, free inlet, duct outlet, and doesn't include the effects of appurtenances in the airstream. Power rating kW doesn't include drive losses.

ADH - 225



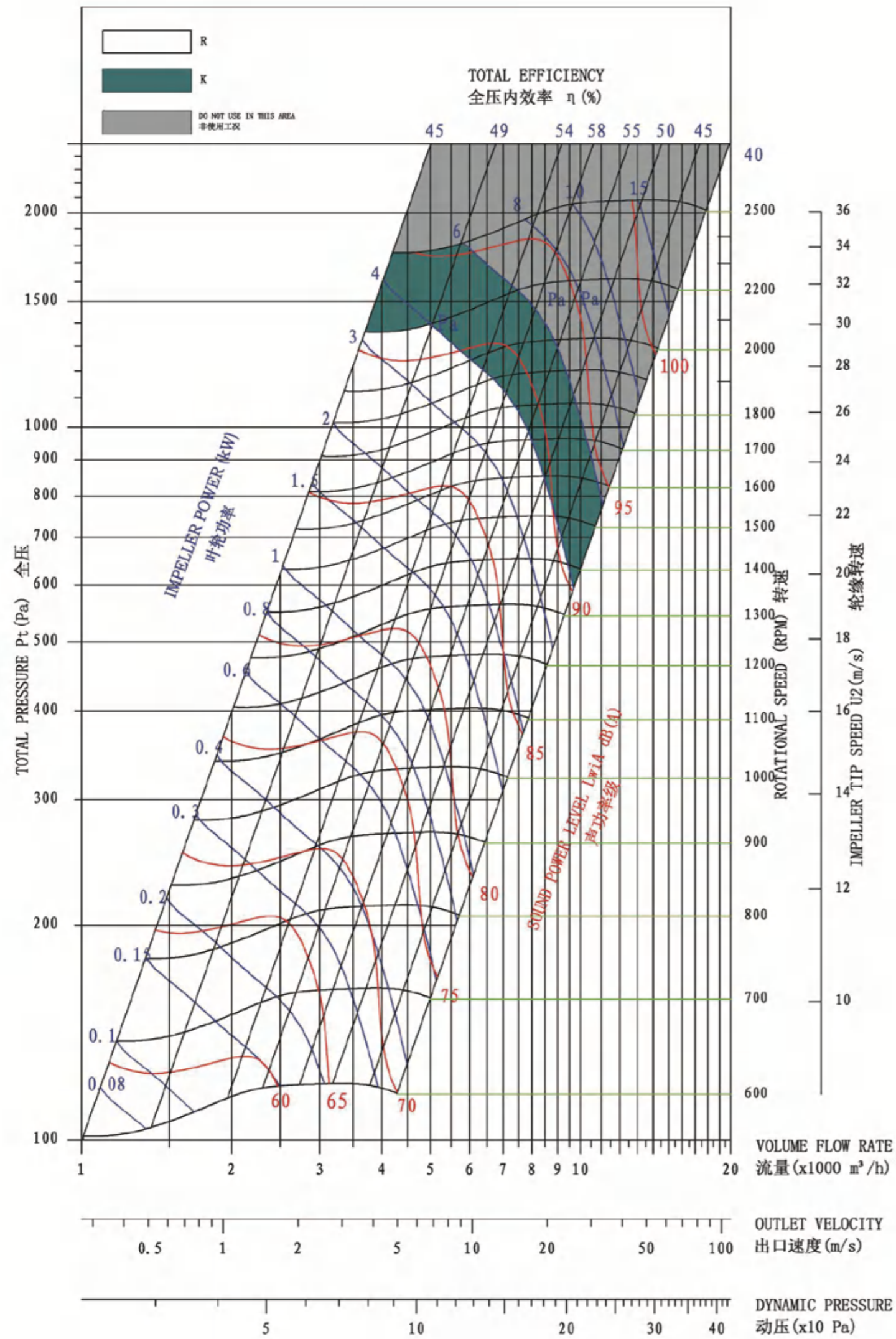
Performance shown is for installation type B, free inlet , duct outlet, and doesn't include the effects of appurtenances in the airstream.Power rating kW doesn't includedrive lesses.

ADH - 250



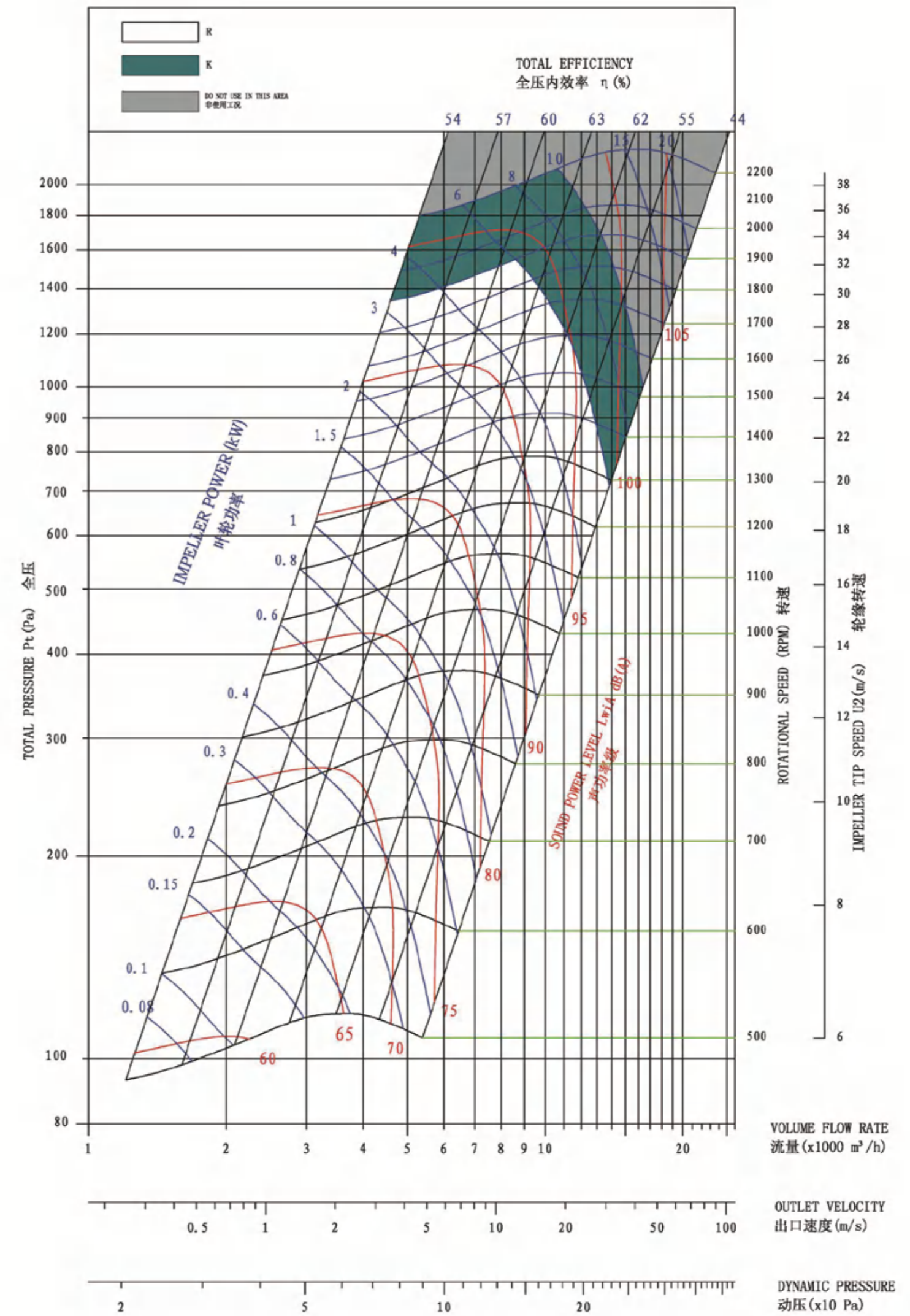
Performance shown is for installation type B, free inlet , duct outlet, and doesn't include the effects of appurtenances in the airstream.Power rating kW doesn't includedrive lesses.

ADH - 280



Performance shown is for installation type B, free inlet , duct outlet, and doesn't include the effects of appurtenances in the airstream.Power rating kW doesn't includedrive lesses.

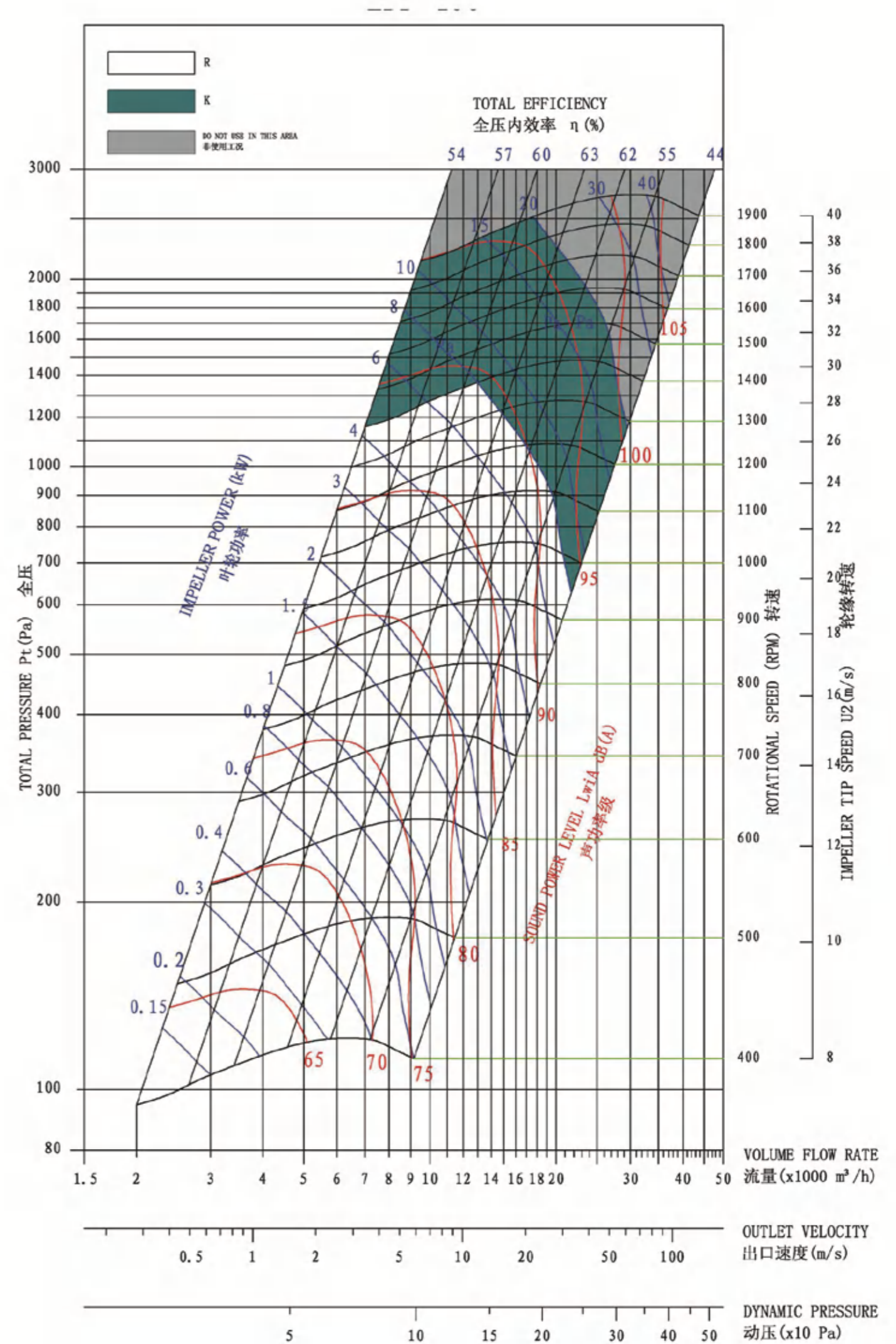
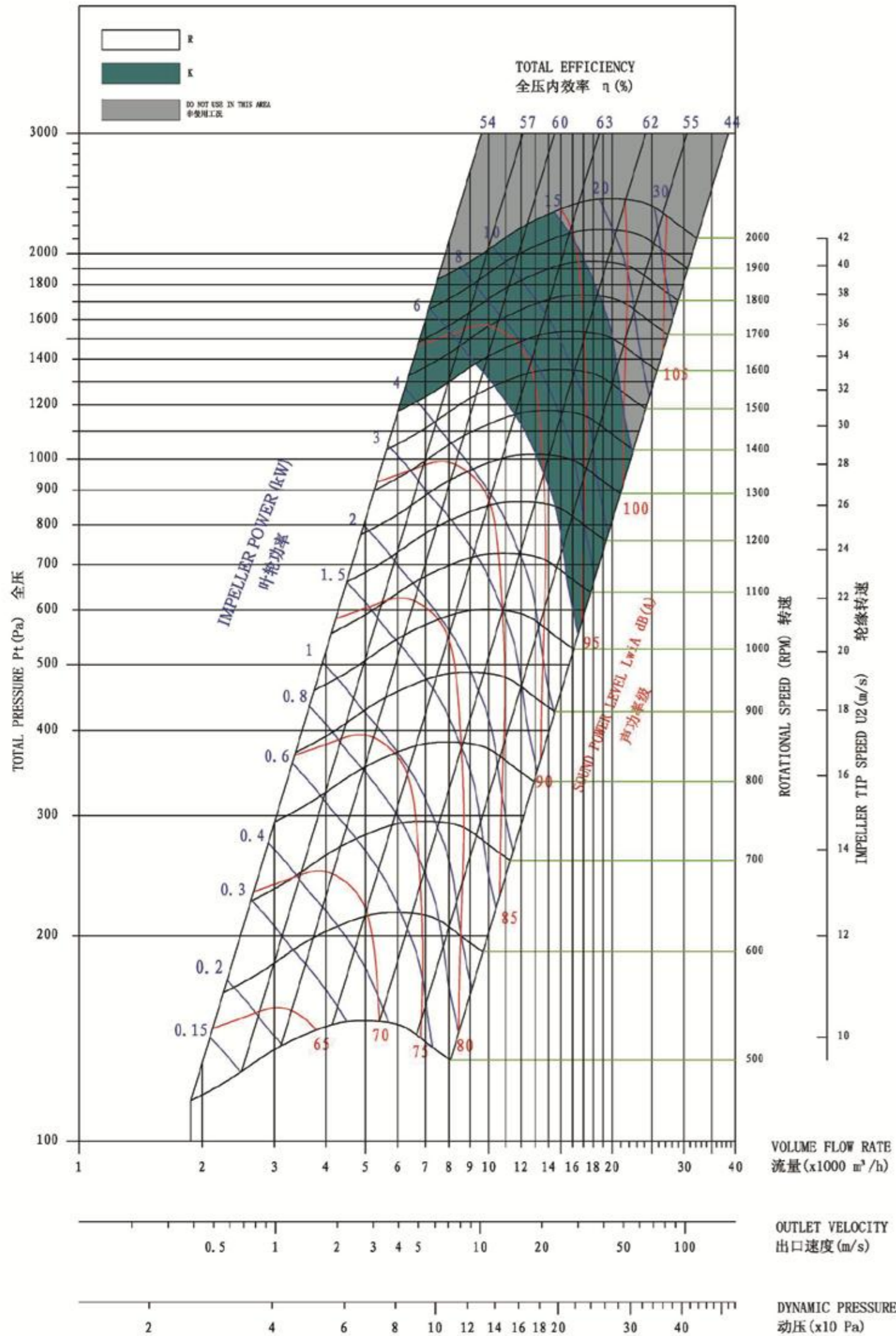
ADH - 315



Performance shown is for installation type B, free inlet , duct outlet, and doesn't include the effects of appurtenances in the airstream.Power rating kW doesn't includedrive lesses.

ADH - 355

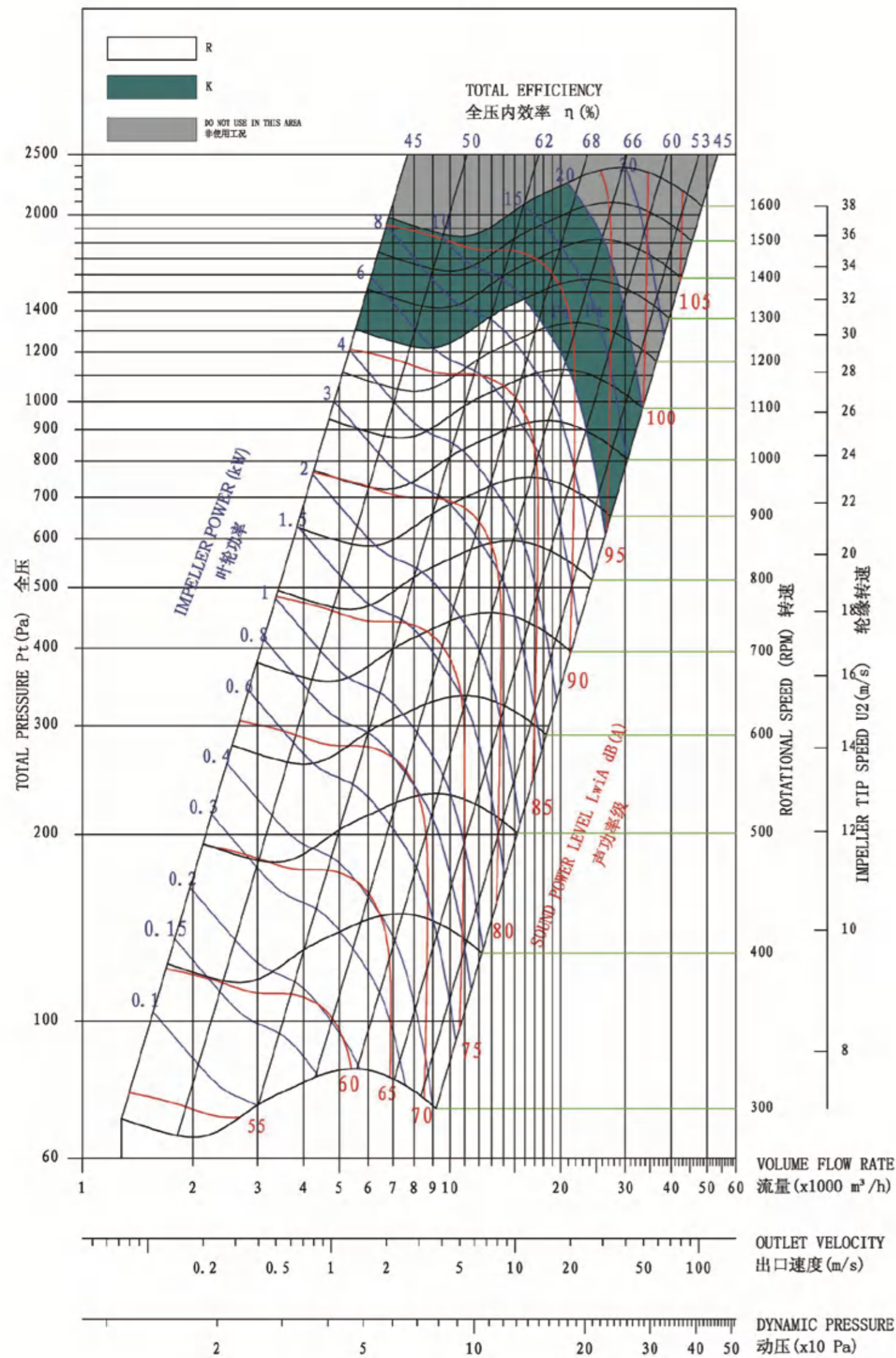
ADH - 400



Performance shown is for installation type B, free inlet , duct outlet, and doesn't include the effects of appurtenances in the airstream. Power rating kW doesn't includedrive lessees.

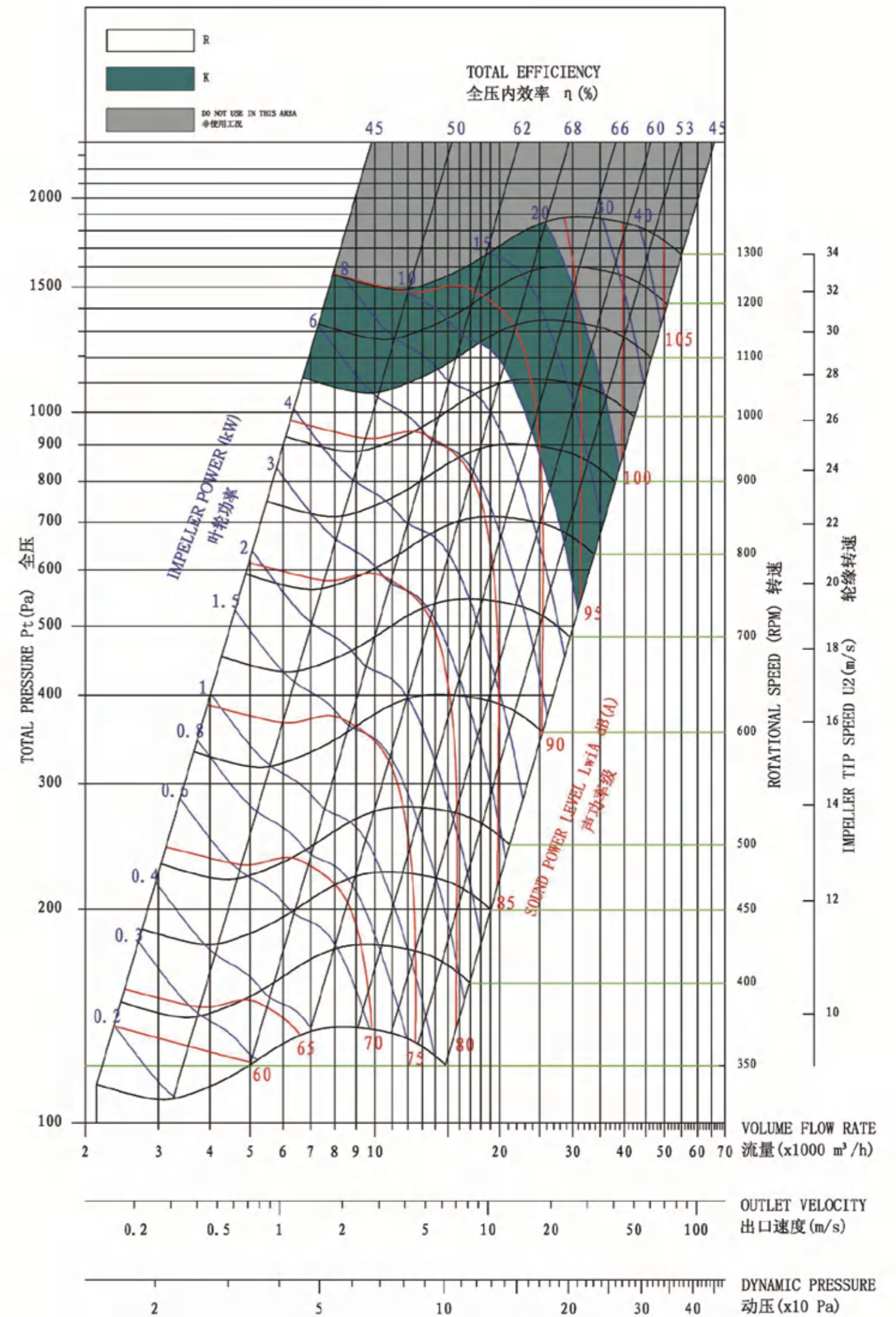
Performance shown is for installation type B, free inlet , duct outlet, and doesn't include the effects of appurtenances in the airstream. Power rating kW doesn't includedrive lessees.

ADH - 450



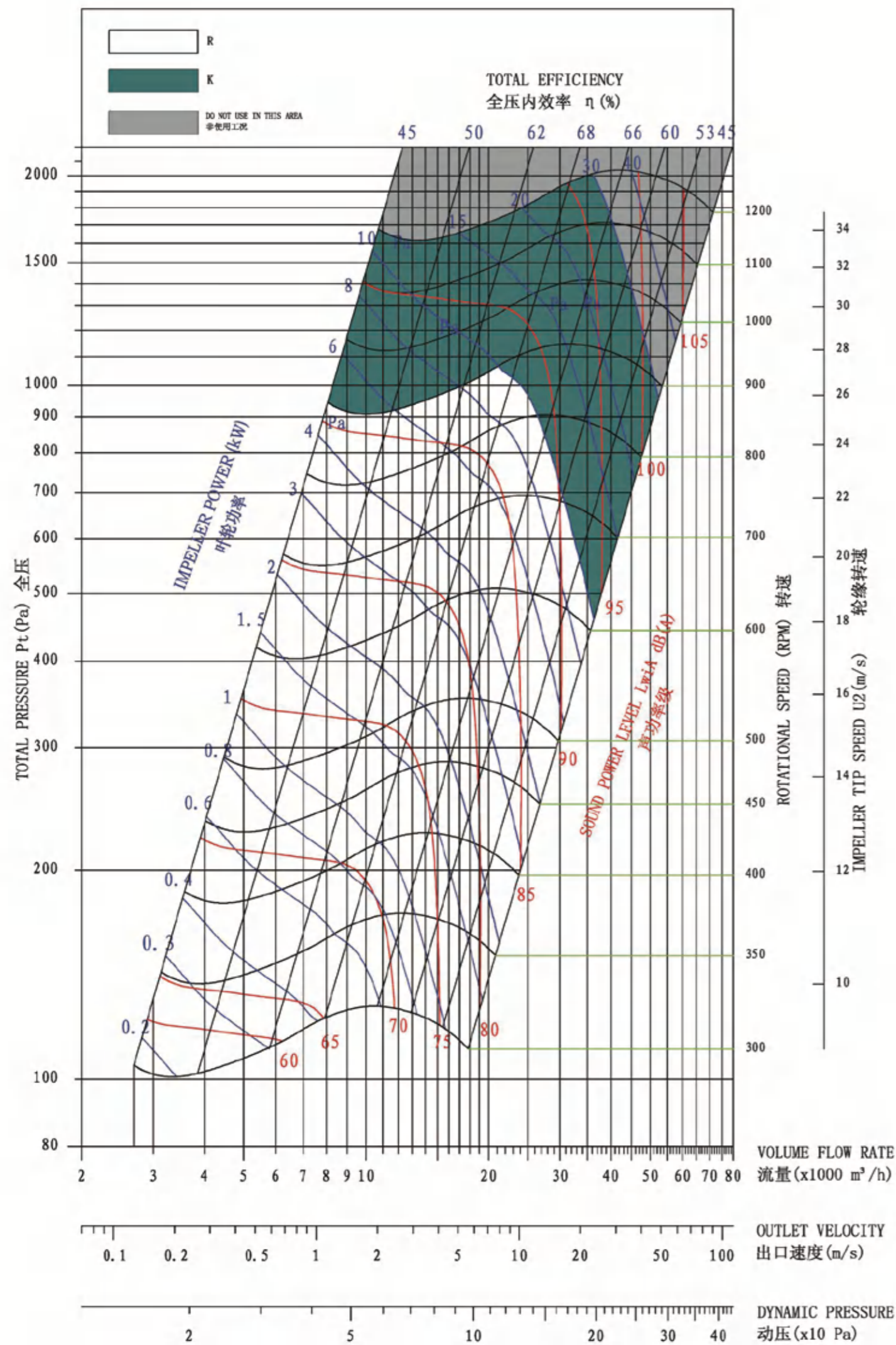
Performance shown is for installation type B, free inlet , duct outlet, and doesn't include the effects of appurtenances in the airstream. Power rating kW doesn't includedrive losses.

ADH - 500



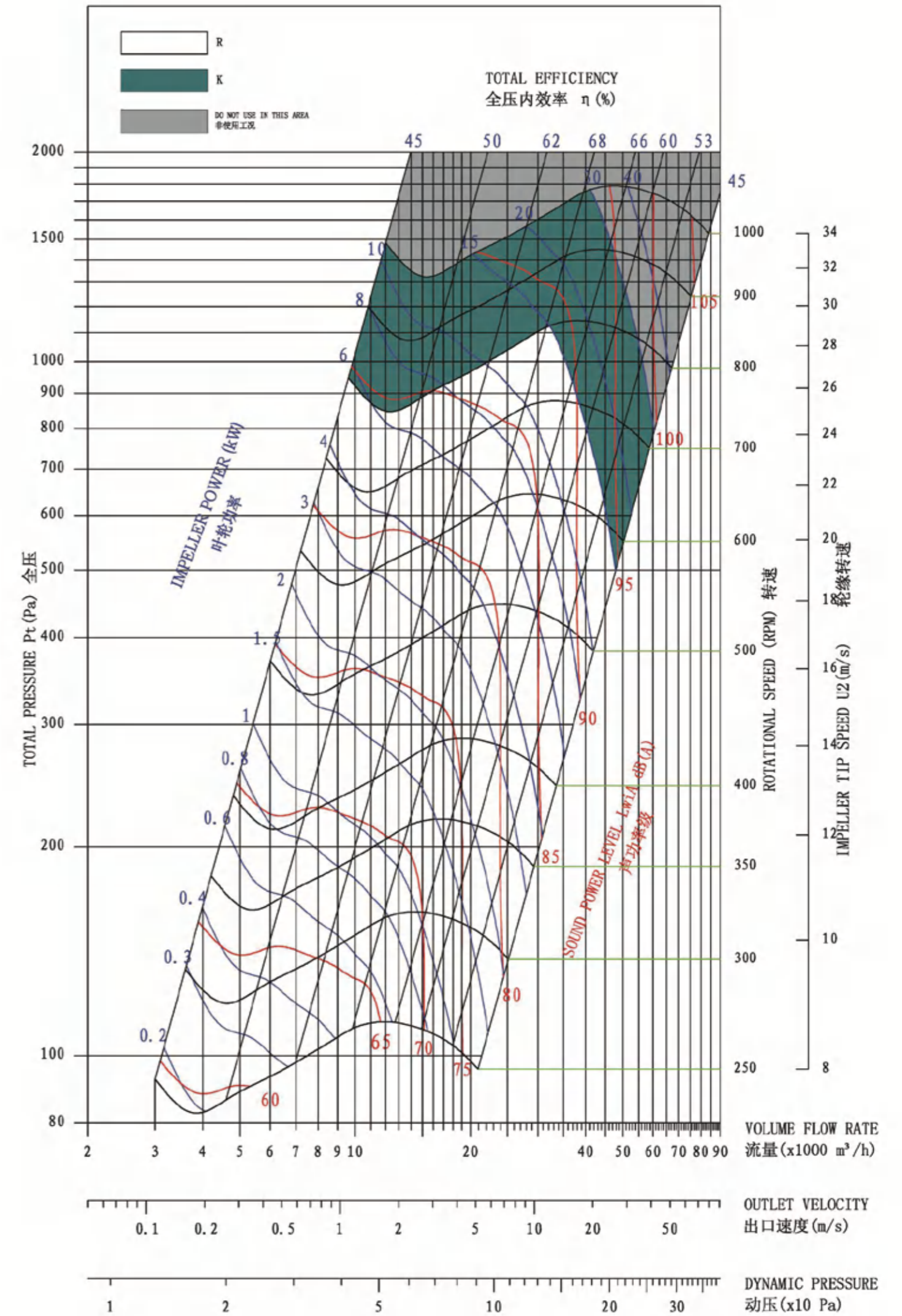
Performance shown is for installation type B, free inlet , duct outlet, and doesn't include the effects of appurtenances in the airstream. Power rating kW doesn't includedrive losses.

ADH - 560



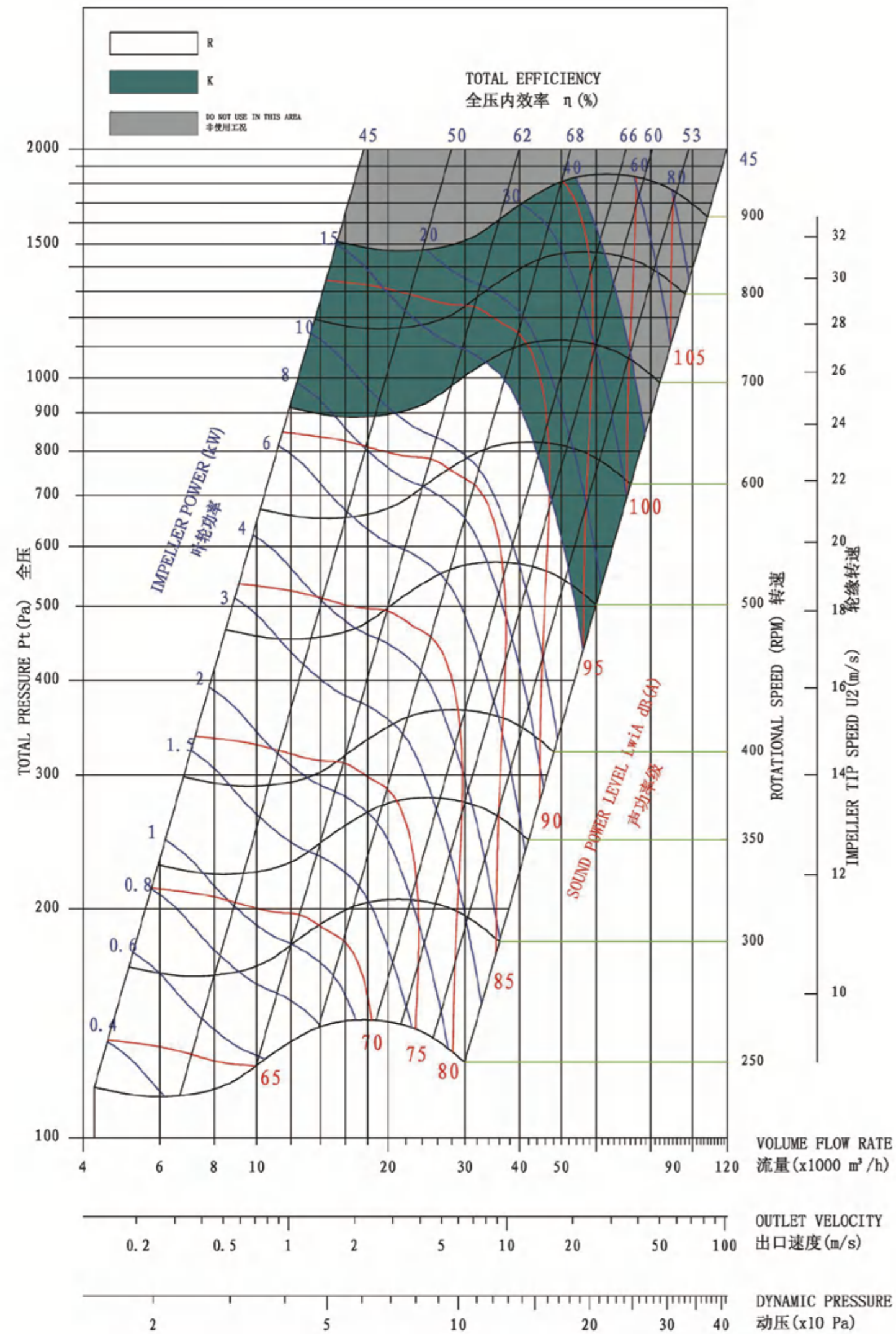
Performance shown is for installation type B, free inlet , duct outlet, and doesn't include the effects of appurtenances in the airstream. Power rating kW doesn't includedrive lesses.

ADH - 630



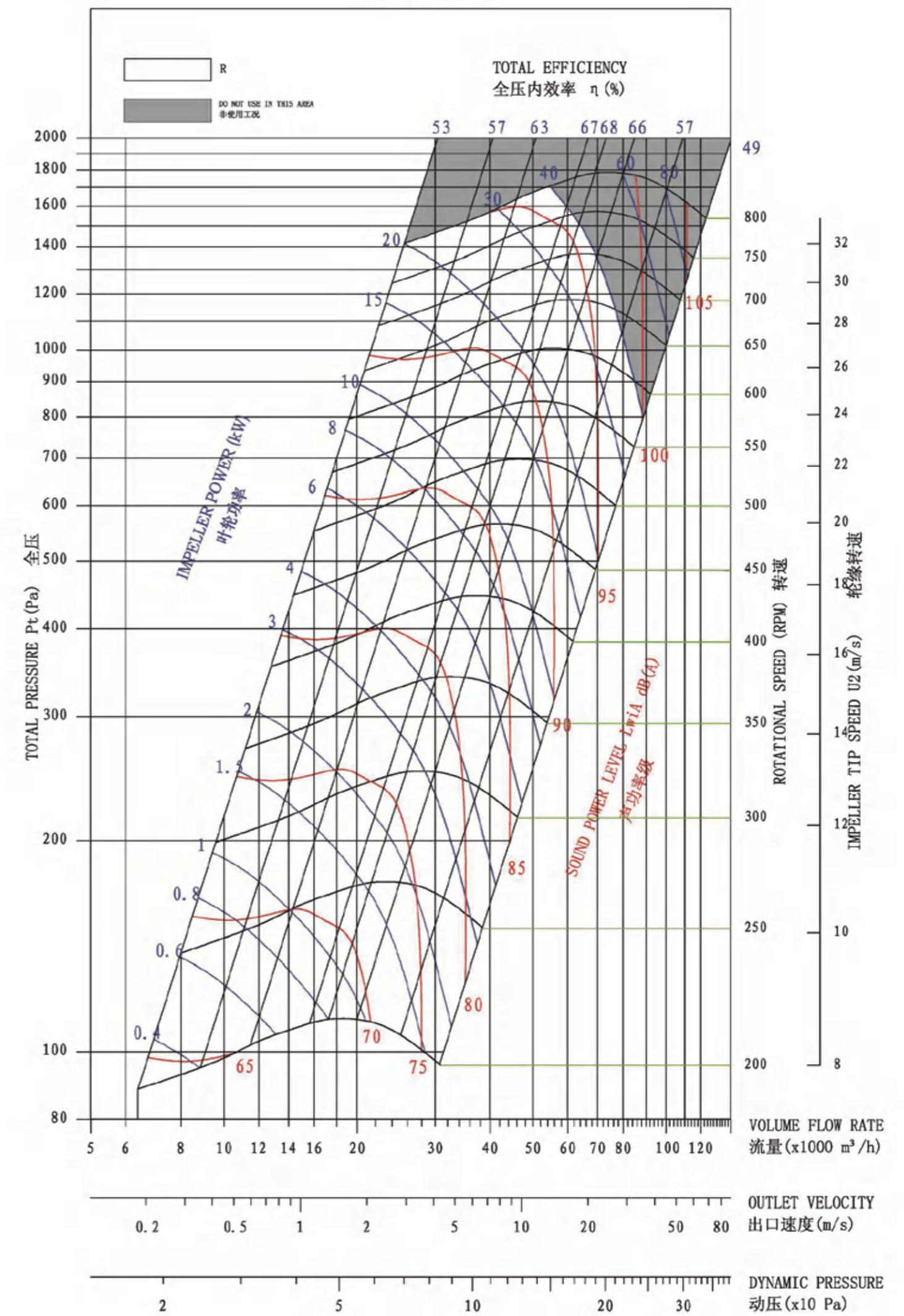
Performance shown is for installation type B, free inlet , duct outlet, and doesn't include the effects of appurtenances in the airstream. Power rating kW doesn't includedrive lesses.

ADH - 710



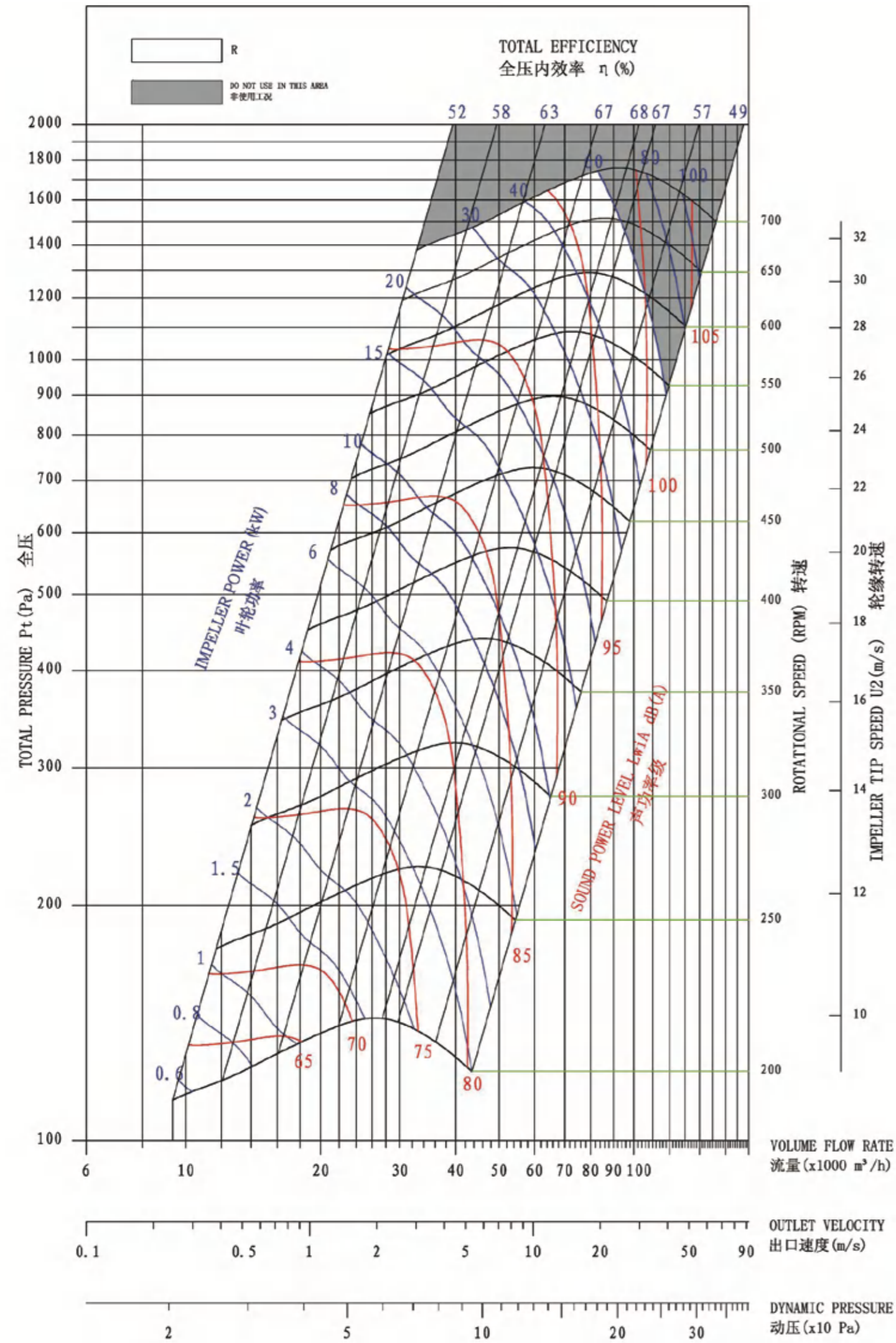
Performance shown is for installation type B, free inlet, duct outlet, and doesn't include the effects of appurtenances in the airstream. Power rating kW doesn't include drive losses.

ADH - 800



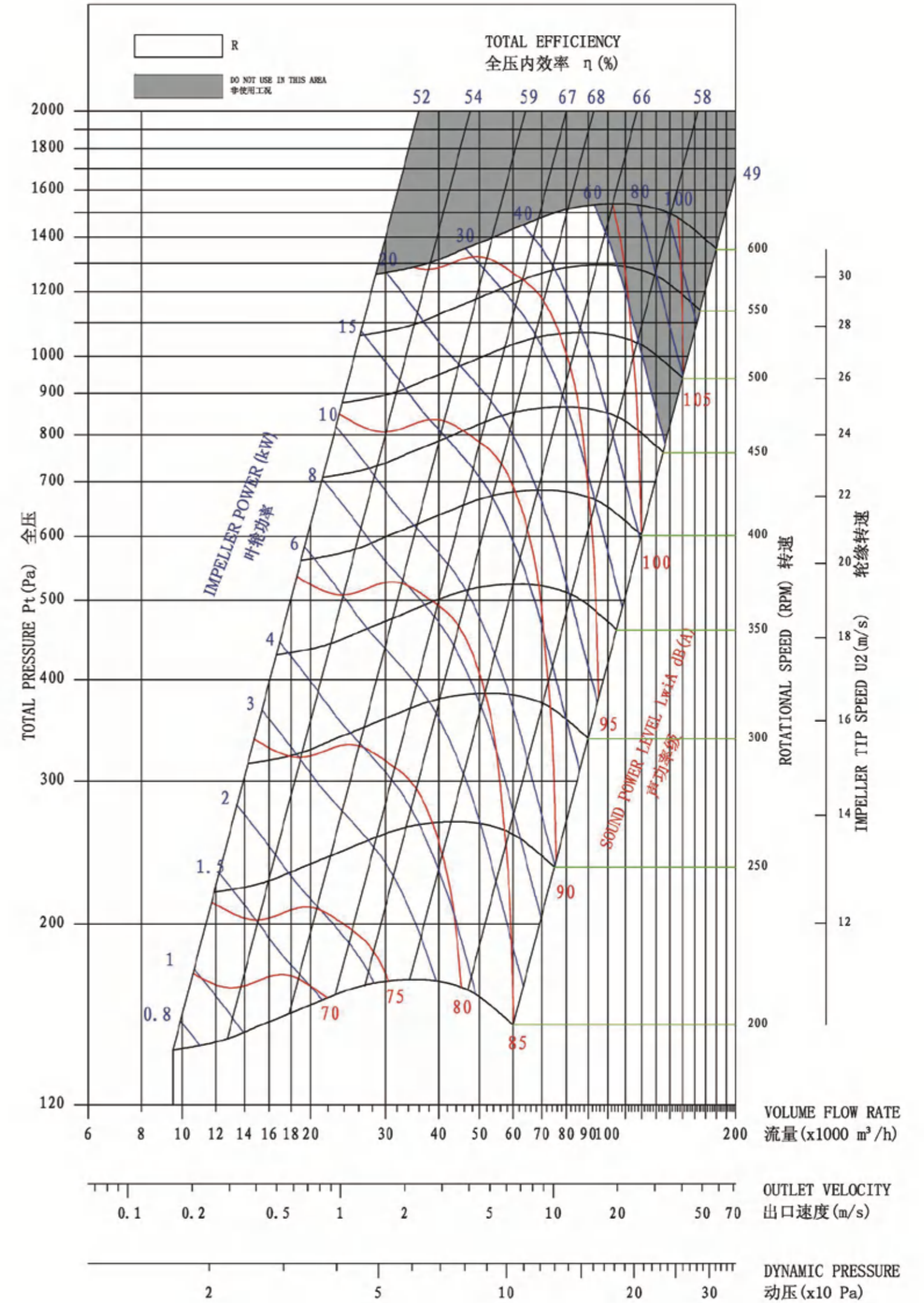
Performance shown is for installation type B, free inlet, duct outlet, and doesn't include the effects of appurtenances in the airstream. Power rating kW doesn't include drive losses.

ADH - 900



Performance shown is for installation type B, free inlet , duct outlet, and doesn't include the effects of appurtenances in the airstream.Power rating kW doesn't includedrive lessees.

ADH - 1000



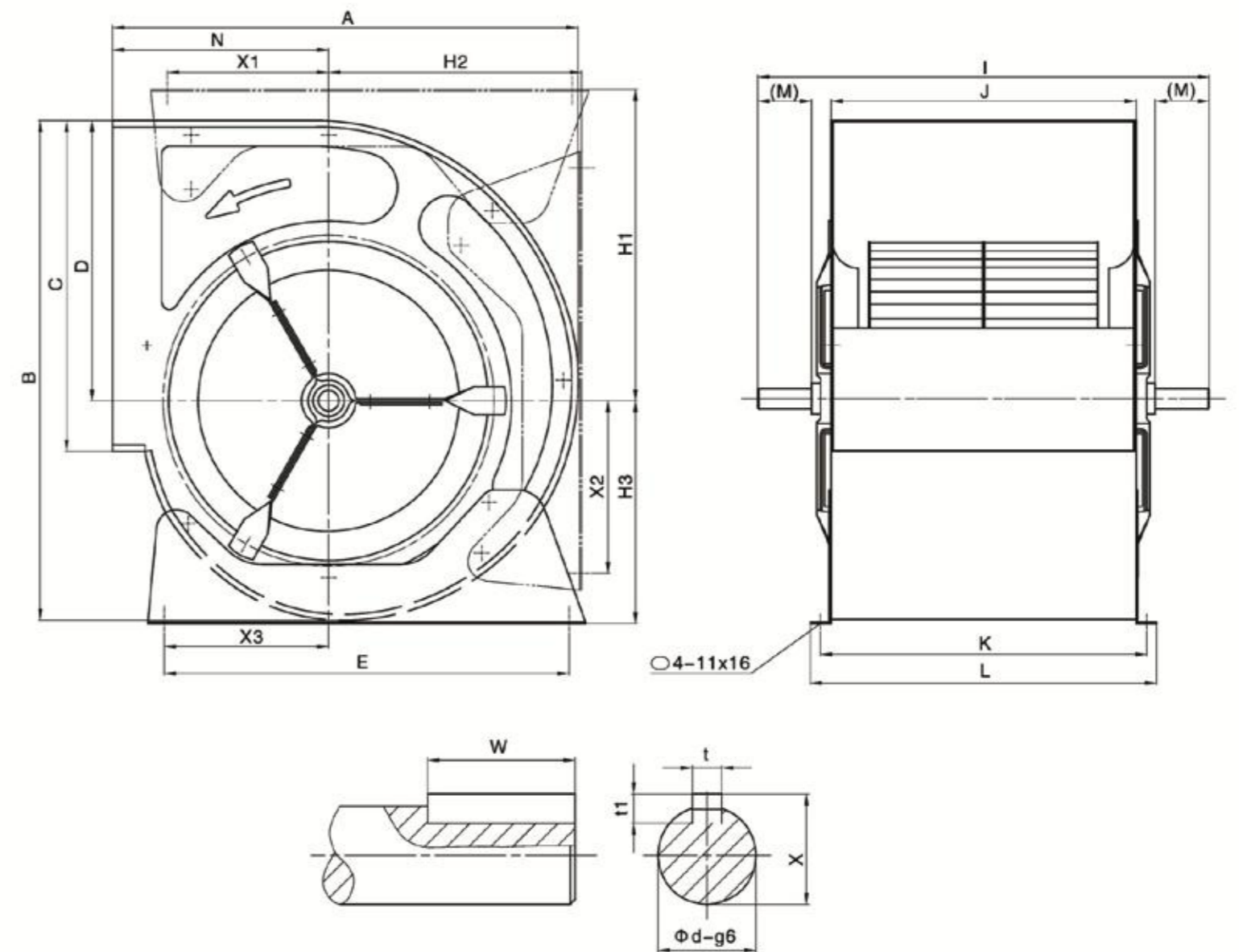
Performance shown is for installation type B, free inlet , duct outlet, and doesn't include the effects of appurtenances in the airstream.Power rating kW doesn't includedrive lessees.

AT Series Centrifugal Blower

Professional HVAC Fan & Motors Manufacturer



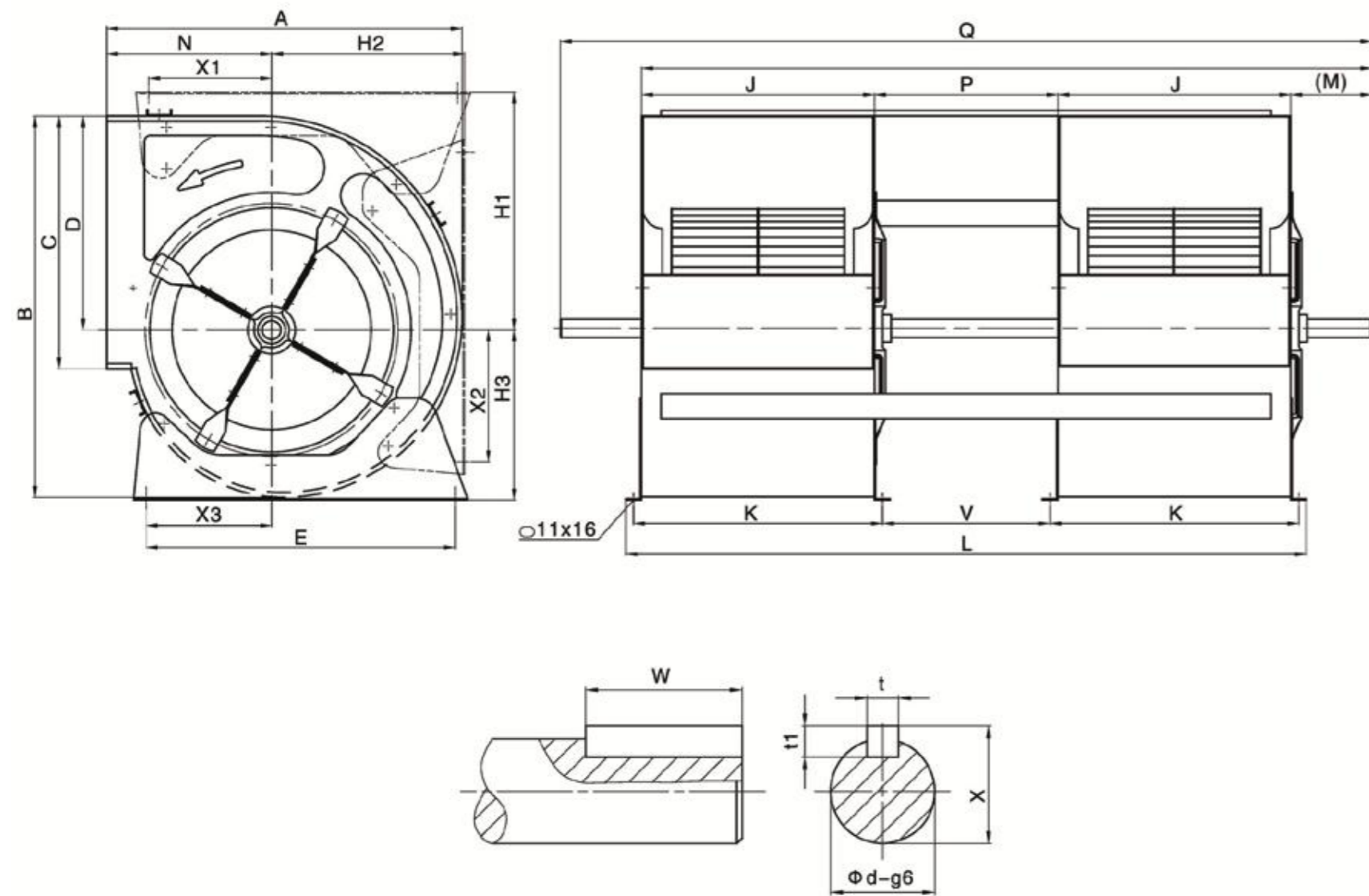
AT - L(LK)



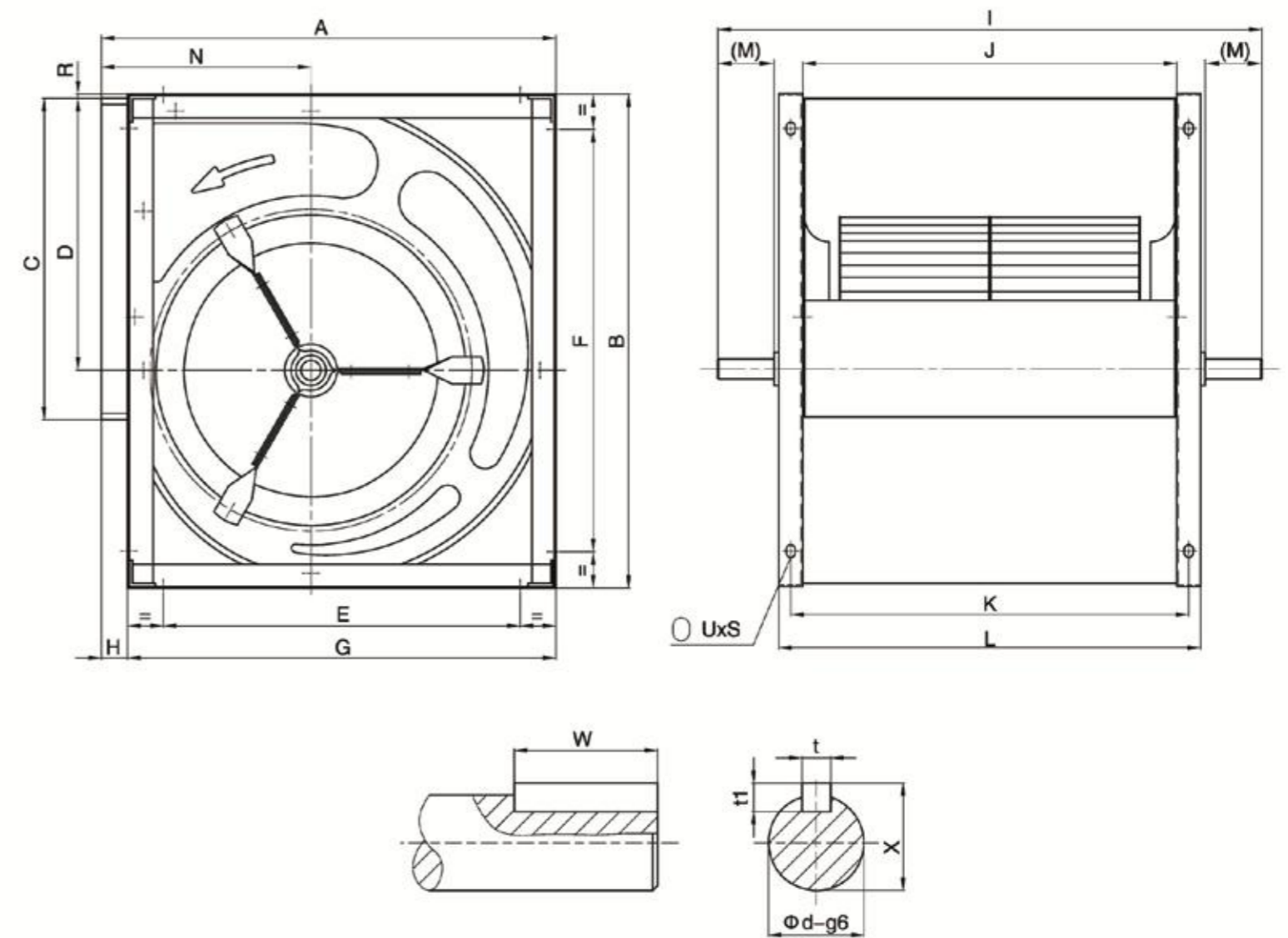
Technical Specifications

Model	A	B	C	D	E	I	J	K	L	M	N	X	t	t1	W	d	H1	H2	H3	X1	X2	X3
7-7L	312	328	228	192	180	370	259	279	299	32	152	22.5	6	6	30	20	224	164	164	90	90	90
8-8L	346	365	256	216	224	420	287	312	337	43	164	22.5	6	6	40	20	245	184	181	112	112	112
9-7L	380	387	262	215	300	370	232	258	282	45.5	185	22.5	6	6	40	20	253	199	177	119	124	123
9-9L	380	387	262	215	300	447	298	324	348	51	185	22.5	6	6	30	20	253	199	177	119	124	123
10-8L	430	446	289	249	340	409	265	291	315	48.5	203	28	8	7	40	25	287	227	198	136	132	135
10-10L	430	446	289	249	340	490	331	357	381	56	203	28	8	7	55	25	287	227	198	136	132	135
12-9L	491.5	521	341	294	408	464	309	335	359	54	230	28	8	7	40	25	332	266	232	161	153	161
12-12L	491.5	521	341	294	408	564	395	421	445	61	230	28	8	7	60	25	332	266	232	161	153	161
15-11L	569	609	404	342	495	552	373	399	423	66	264	28	8	7	50	25	380	309	272	197	211	201
15-11LK	569	609	404	342	495	570	373	399	423	71.8	264	33	8	7	40	30	380	309	272	197	211	201
15-15L	569	609	404	342	495	650	471	497	521	66	264	28	8	7	60	25	380	309	272	197	211	201
15-15LK	569	609	404	342	495	675	471	497	521	75.3	264	33	8	7	65	30	380	309	272	197	211	201
18-13L	684	739	478	415	608	610	430	456	480	66.5	314	28	8	7	65	25	457	376	340	262	283	278
18-13LK	684	739	478	415	608	610	430	456	480	60.6	314	38	10	8	60	35	457	376	340	262	283	278
18-18L	684	739	478	415	608	740	557	583	607	68	314	28	8	7	65	25	457	376	340	262	283	278
18-18LK	684	739	477	415	608	790	557	583	607	87.1	314	38	10	8	70	35	457	376	340	262	283	278

AT - L2



AT - R(RK)



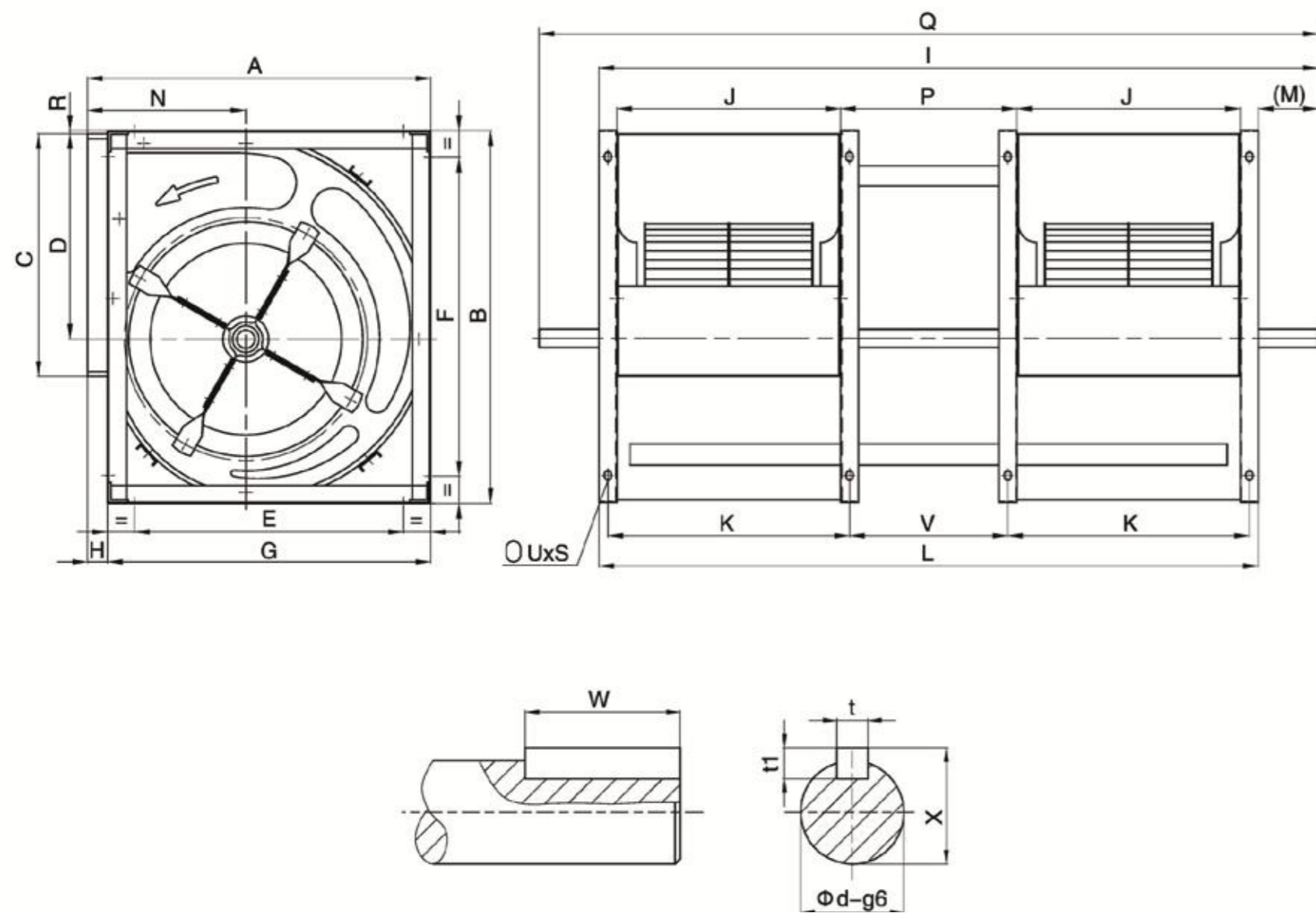
Technical Specifications

Model	A	B	C	D	E	I	J	K	L	M	N	P	Q	V	X	t	t1	W	d	H1	H2	H3	X1	X2	X3
7-7L2	312	328	228	192	180	/	259	279	742	80	152	184	862	164	22.5	6	6	60	20	224	164	164	90	90	90
8-8L2	346	365	256	216	224	/	287	312	838	95	164	214	978	189	22.5	6	6	60	20	245	184	181	112	112	112
9-7L2	380	387	262	215	300	/	232	258	698	90	185	184	828	159	22.5	6	6	60	20	253	199	177	119	124	123
9-9L2	380	387	262	215	300	/	298	324	890	90	185	244	1020	218	28	8	7	60	25	253	199	177	119	124	123
10-8L2	425	443	289	249	340	/	265	291	794	90	203	214	924	188	28	8	7	60	25	287	227	198	136	132	135
10-10L2	425	443	289	249	340	/	331	357	976	90	203	264	1106	238	28	8	7	60	25	287	227	198	136	132	135
12-9L2	491.5	521	341	294	408	/	309	335	912	110	230	244	1082	218	28	8	7	60	25	332	266	232	161	153	161
12-12L2	491.5	521	341	294	408	1224	395	421	1164	110	230	324	/	298	33	8	7	70	30	332	266	232	161	153	161
15-11L2	569	609	404	342	495	1170	373	399	1090	130	264	294	/	268	33	8	7	70	30	380	309	272	197	211	201
15-15L2	569	609	404	342	495	1456	471	497	1376	130	264	384	/	358	33	8	7	70	30	380	309	272	197	211	201
18-13L2	684	739	478	415	608	1343	430	454	1253	140	314	343	/	319	38	10	8	90	35	457	376	340	262	283	278
18-18L2	684	739	478	415	608	1702	557	581	1622	130	314	458	/	434	38	10	8	90	35	457	376	340	262	283	278

Technical Specifications

Model	A	B	C	D	E	F	G	H	I	J	K	L	M	N	R	t	t1	W	X	d	U×S
7-7R	323	336	228	192	180	180	294	29	420	259	281	299	57	152	6	6	6	40	22.5	20	9×12
8-8R	348	370	256	216	224	224	314	34	460	287	312	337	63	164	3	6	6	50	22.5	20	9×12
9-7R	385	399	262	215	274	324	349	36	388	232	254	272	54.5	185	6	6	6	40	22.5	20	9×12
9-9R	385	399	262	215	274	324	349	36	460	298	320	338	57.5	185	6	6	6	50	22.5	20	9×12
10-8R	431	455	289	249	330	390	395	36	425	265	287	305	56.5	203	6	8	7	40	28	25	11×16
10-10R	431	455	289	249	330	390	395	36	490	331	353	371	56	203	6	8	7	55	28	25	11×16
12-9R	494	527	341	294	371	443	458	36	490	309	339	369	67	230	3	8	7	50	28	25	11×16
12-12R	494	527	341	294	371	443	458	36	600	395	425	455	79	230	3	8	7	40	28	25	11×16
15-11R	575	619	402	343	449	531	539	36	585	373	403	433	82.5	266.7	4	8	7	50	28	25	11×16
15-11RK	575	619	402	343	449	531	539	36	625	373	403	433	99.3	266.7	4	8	7	40	33	30	11×16
15-15R	575	619	402	343	449	531	539	36	685	471	501	531	83.5	266.7	4	8	7	65	28	25	11×16
15-15RK	575	619	402	343	449	531	539	36	725	471	501	531	100.3	266.7	4	8	7	65	33	30	11×16
18-13R	690	751	478	415	544	641	654	36	666	430	470	510	94.5	314	6	8	7	65	28	25	11×16
18-13RK	690	751	478	415	544	641	654	36	666	430	470	510	88.6	314	6	10	8	55	38	35	11×16
18-18R	690	751	478	415	544	641	654	36	790	557	597	637	93	314	6	8	7	65	28	25	11×16
18-18RK	690	751	478	415	544	641	654	36	790	557	597	637	89.8	314	6	10	8	70	38	35	11×16

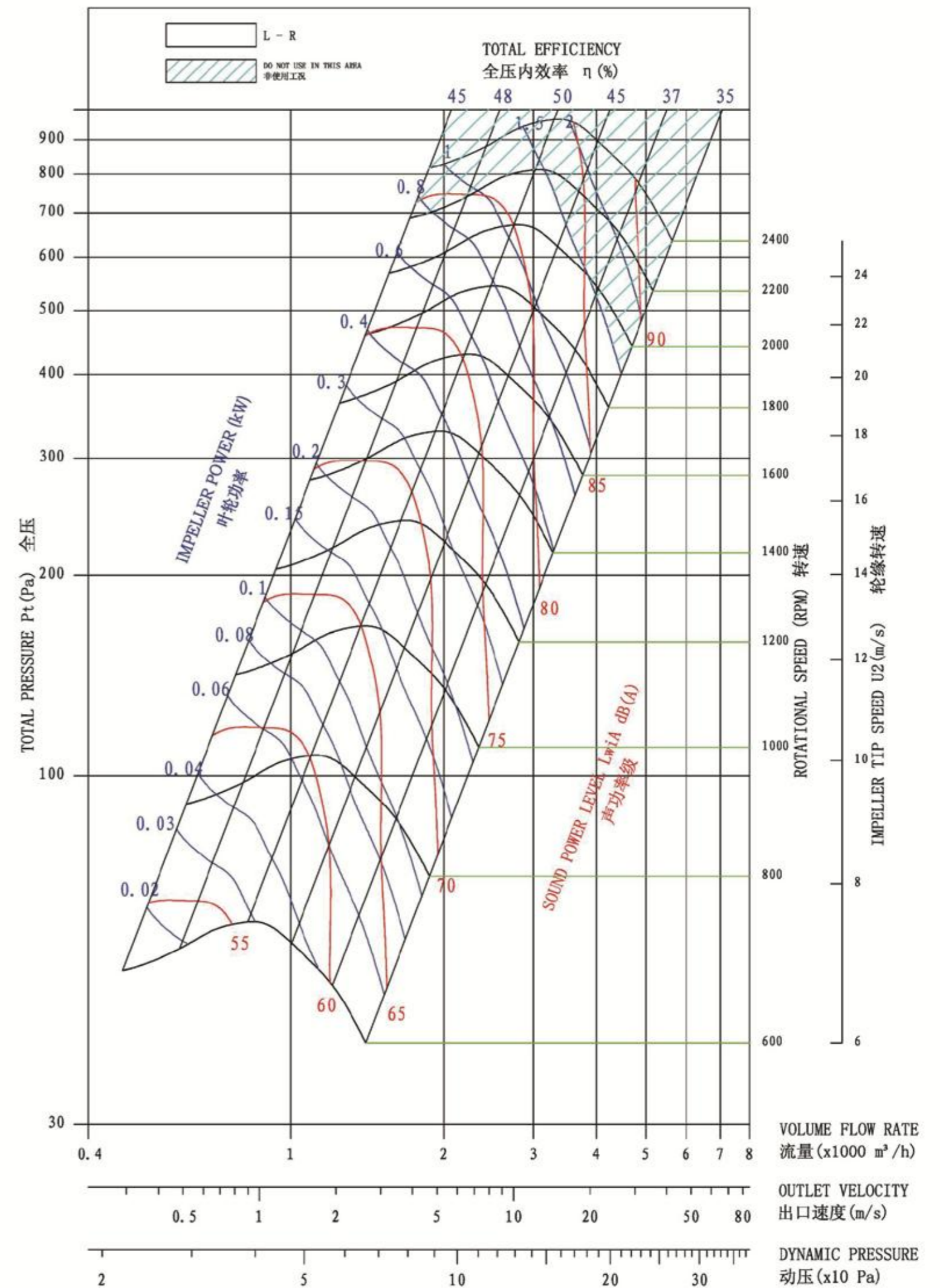
AT - R2



Technical Specifications

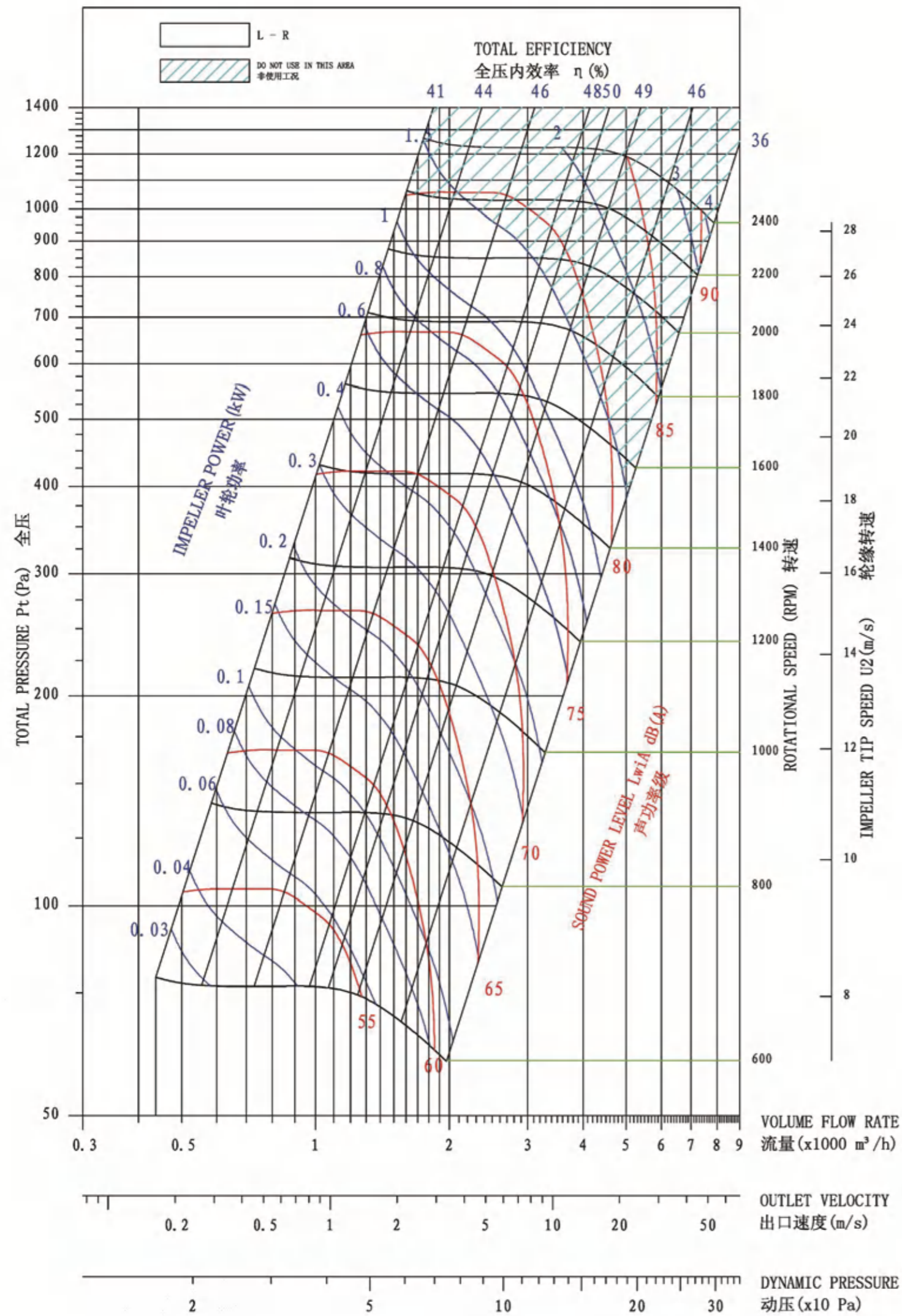
Model	A	B	C	D	E	F	G	H	I	J	K	L	M	N	P	Q	V	R	t1	W	X	d	U×S	
7-7R2	323	336	228	192	180	180	294	29	/	259	281	742	70	152	184	882	162	6	6	6	60	22.5	20	9×12
8-8R2	348	370	256	216	224	224	314	37	/	287	312	838	70	164	214	978	189	3	6	6	60	22.5	20	9×12
9-7R2	385	399	262	215	274	324	349	36	/	232	254	688	70	185	184	828	162	6	6	6	60	22.5	20	9×12
9-9R2	385	397	262	215	274	324	349	36	/	298	320	880	70	185	244	1020	222	6	8	7	60	28	25	9×12
10-8R2	431	455	289	249	330	390	395	36	/	265	287	784	70	203	214	924	192	7	8	7	60	28	25	11×16
10-10R2	431	455	289	249	330	390	395	36	/	331	353	966	70	203	264	1106	242	7	8	7	65	28	25	11×16
12-9R2	494	527	341	294	371	443	458	36	/	309	339	918	82	230	244	1082	214	3	8	7	60	28	25	11×16
12-12R2	494	527	341	294	371	443	458	36	1274	395	425	1174	100	230	324	/	294	3	8	7	60	33	30	11×16
15-11R2	575	619	402	343	449	531	539	36	1200	373	403	1100	100	266.7	294	/	264	4	8	7	70	33	30	11×16
15-15R2	575	619	402	343	449	531	539	36	1486	471	501	1386	100	266.7	384	/	354	4	8	7	70	33	30	11×16
18-13R2	690	751	478	415	544	641	654	36	1383	430	470	1283	100	314	343	/	303	6	10	8	90	38	35	11×16
18-18R2	690	751	478	415	544	641	654	36	1752	557	597	1652	100	314	458	/	418	6	10	8	90	38	35	11×16

AT 7-7



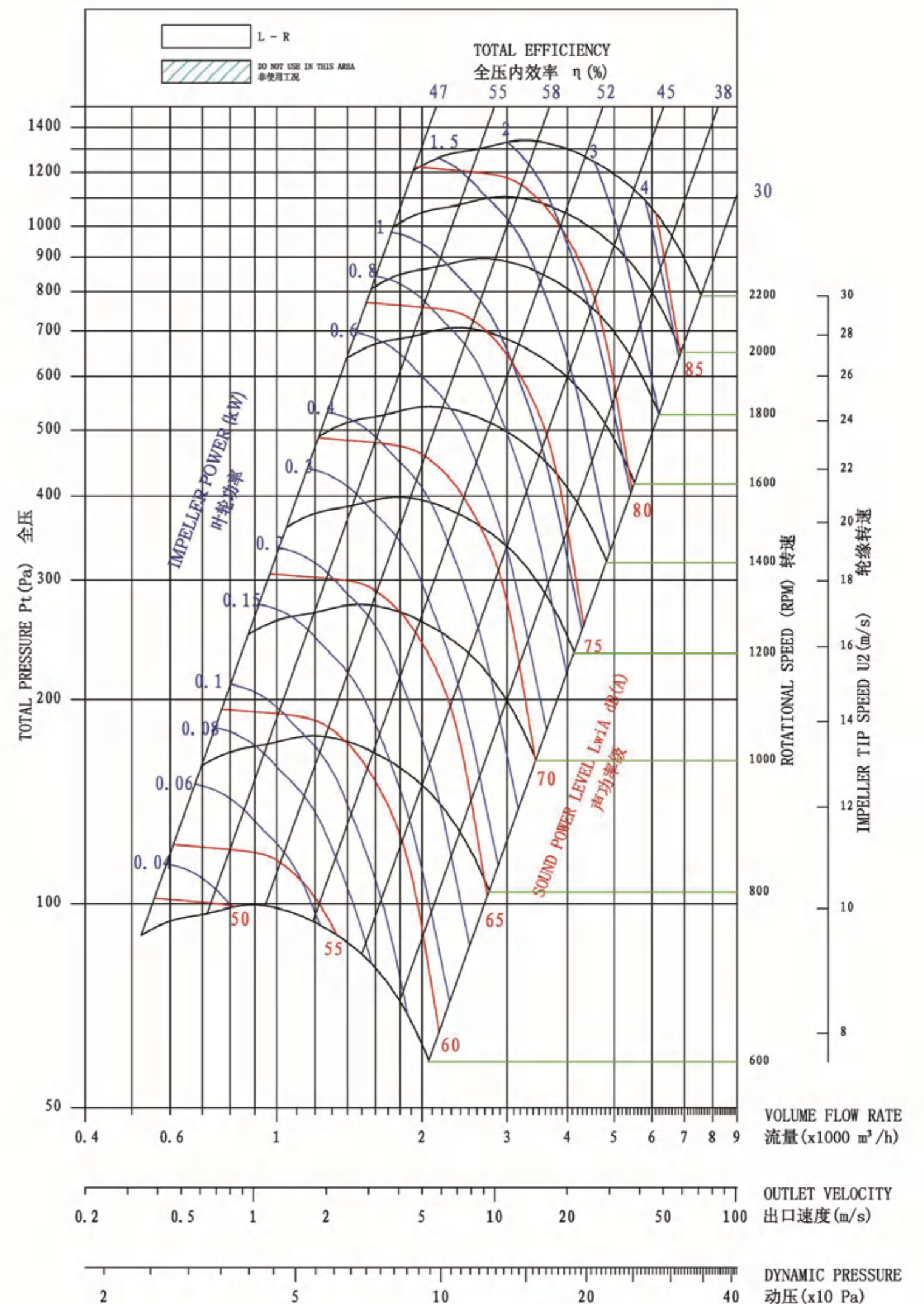
Performance shown is for installation type B, free inlet, duct outlet, and doesn't include the effects of appurtenances in the airstream. Power rating kW doesn't includedrive losses.

AT 8-8



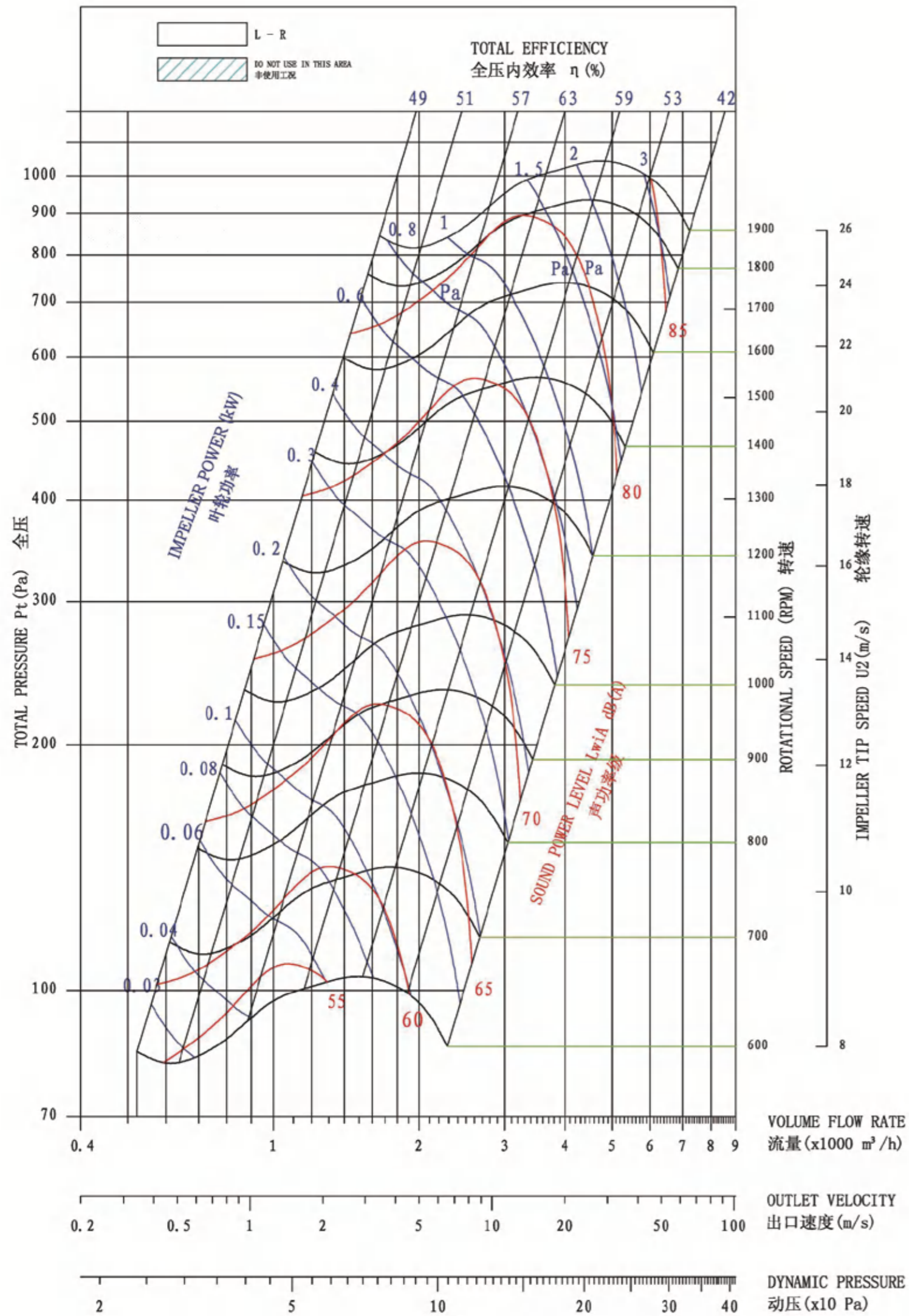
Performance shown is for installation type B, free inlet, duct outlet, and doesn't include the effects of appurtenances in the airstream. Power rating kW doesn't include drive losses.

AT 9-7



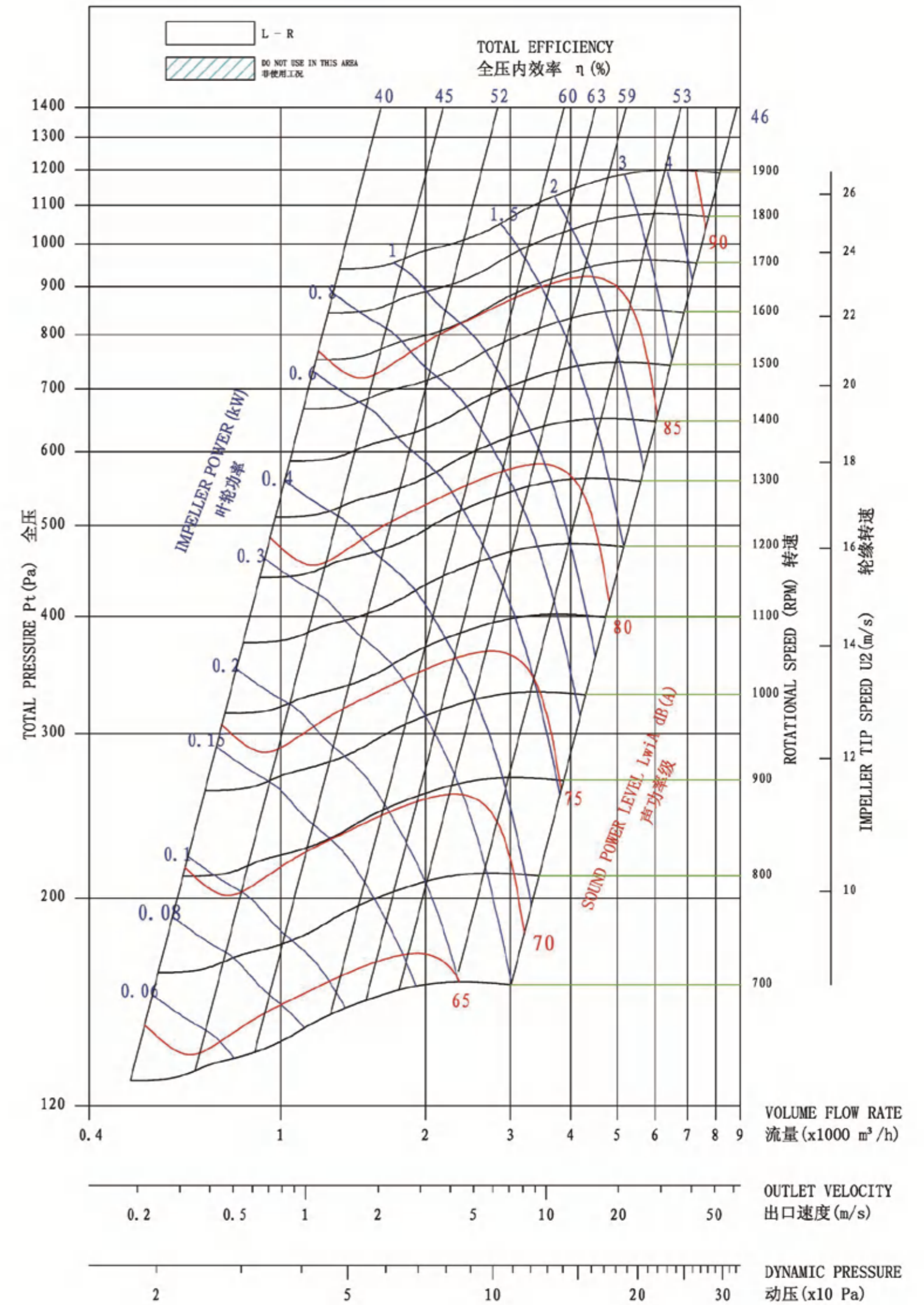
Performance shown is for installation type B, free inlet, duct outlet, and doesn't include the effects of appurtenances in the airstream. Power rating kW doesn't include drive losses.

AT 9-9



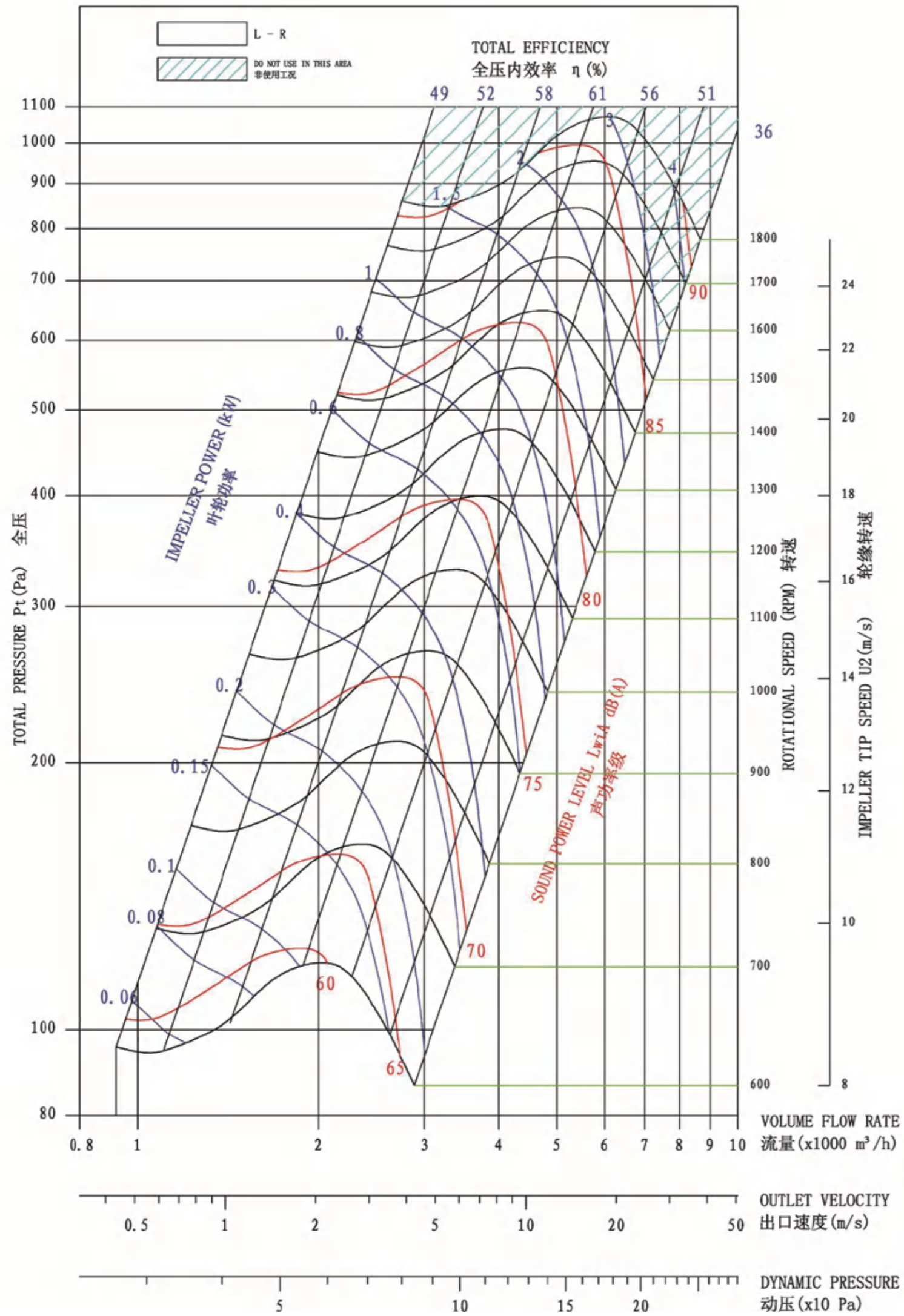
Performance shown is for installation type B, free inlet , duct outlet, and doesn't include the effects of appurtenances in the airstream. Power rating kW doesn't includedrive lessees.

AT 10-8



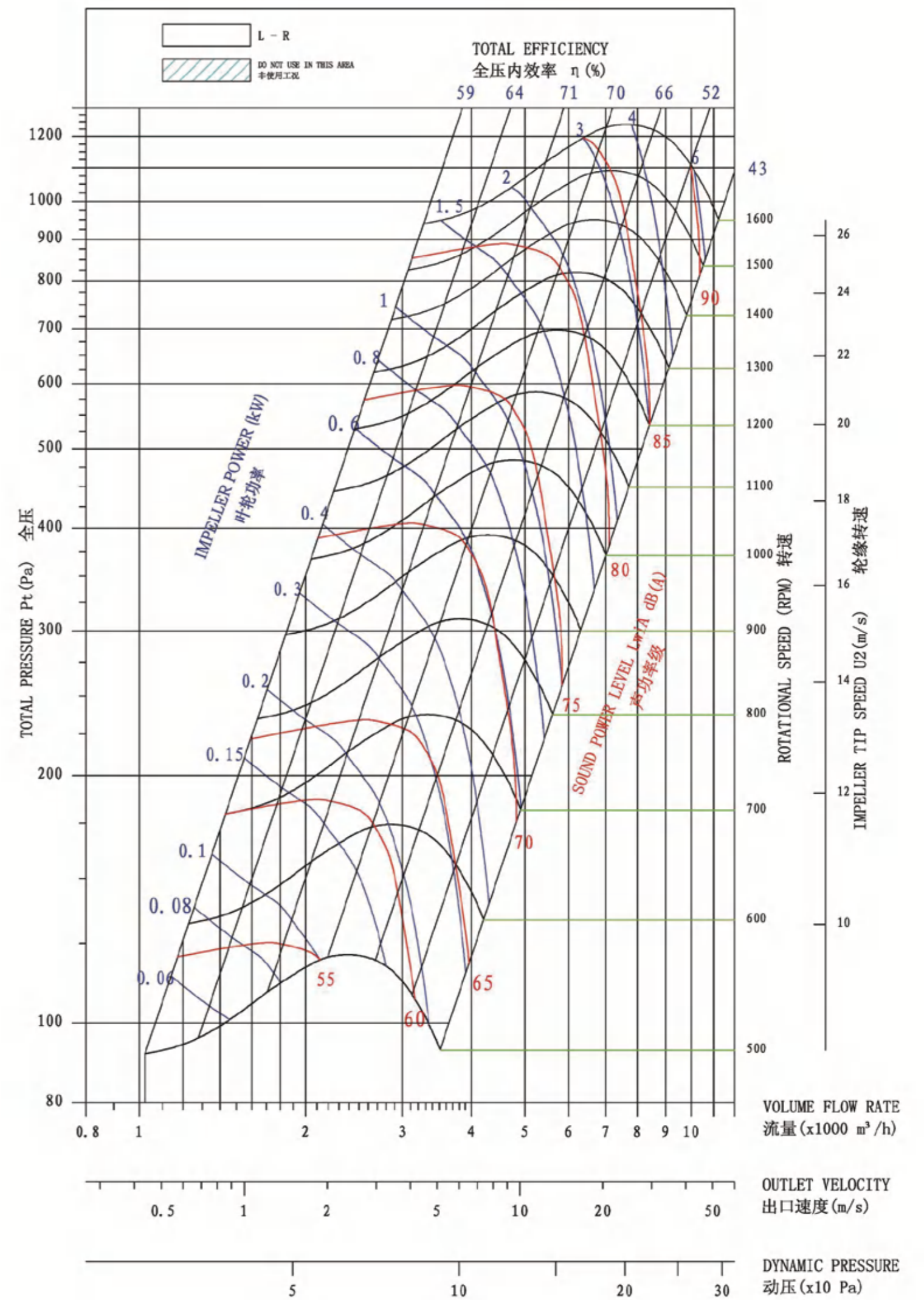
Performance shown is for installation type B, free inlet , duct outlet, and doesn't include the effects of appurtenances in the airstream. Power rating kW doesn't includedrive lessees.

AT 10-10



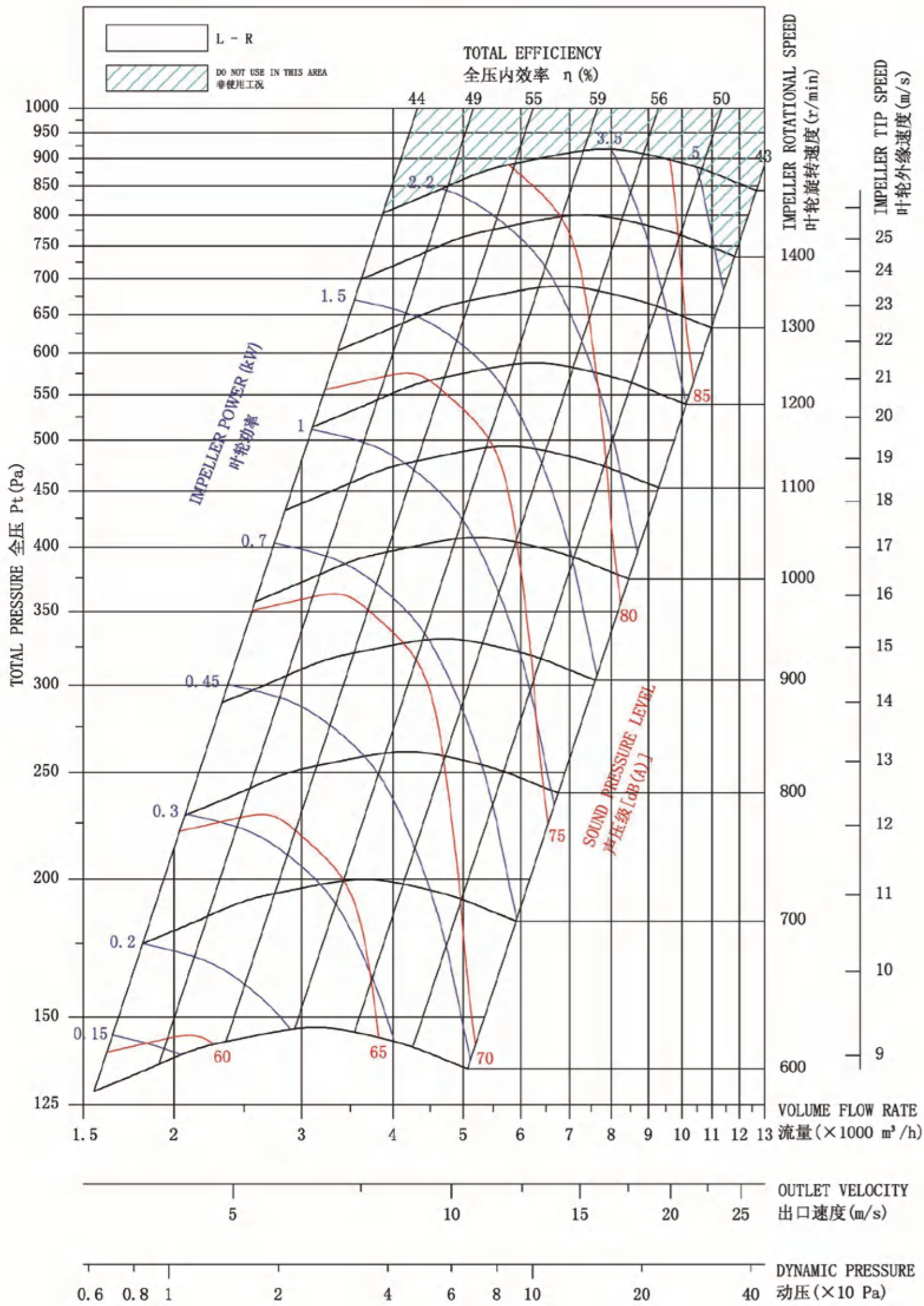
Performance shown is for installation type B, free inlet , duct outlet, and doesn't include the effects of appurtenances in the airstream. Power rating kW doesn't includedrive losses.

AT 12-9



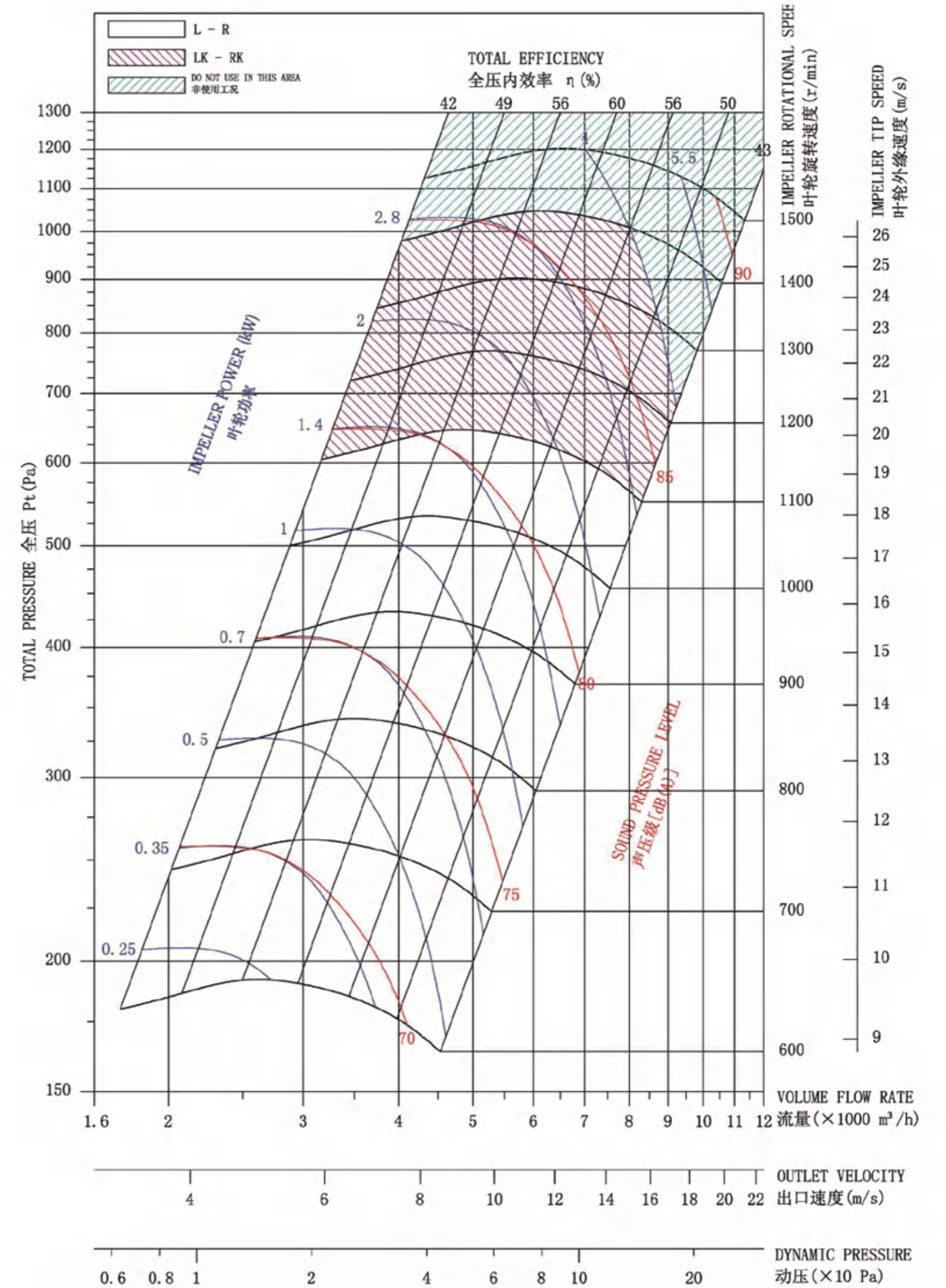
Performance shown is for installation type B, free inlet , duct outlet, and doesn't include the effects of appurtenances in the airstream. Power rating kW doesn't includedrive losses.

AT 12-12



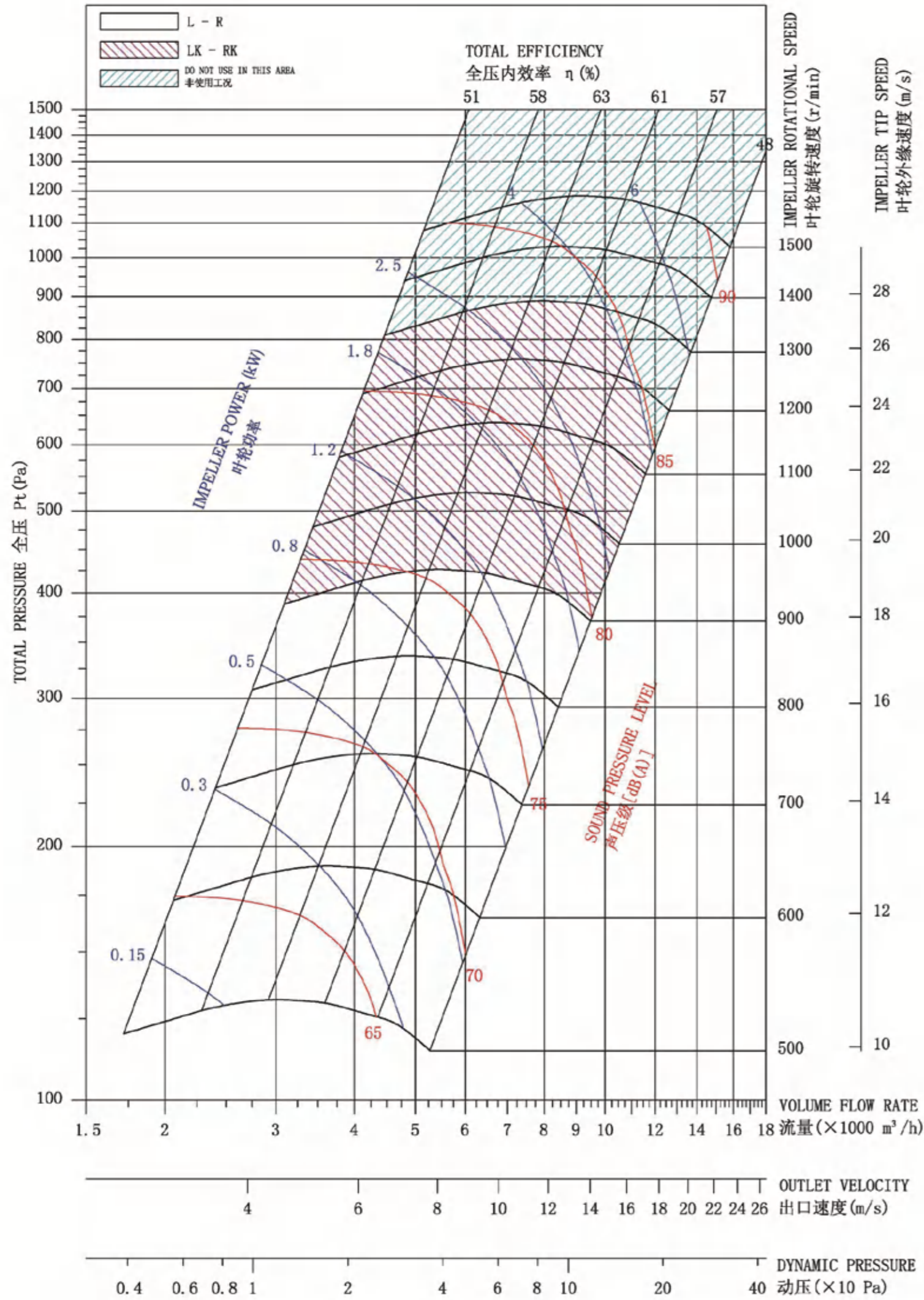
Performance shown is for installation type B, free inlet , duct outlet, and doesn't include the effects of appurtenances in the airstream. Power rating kW doesn't includedrive lesses.

AT 15-11



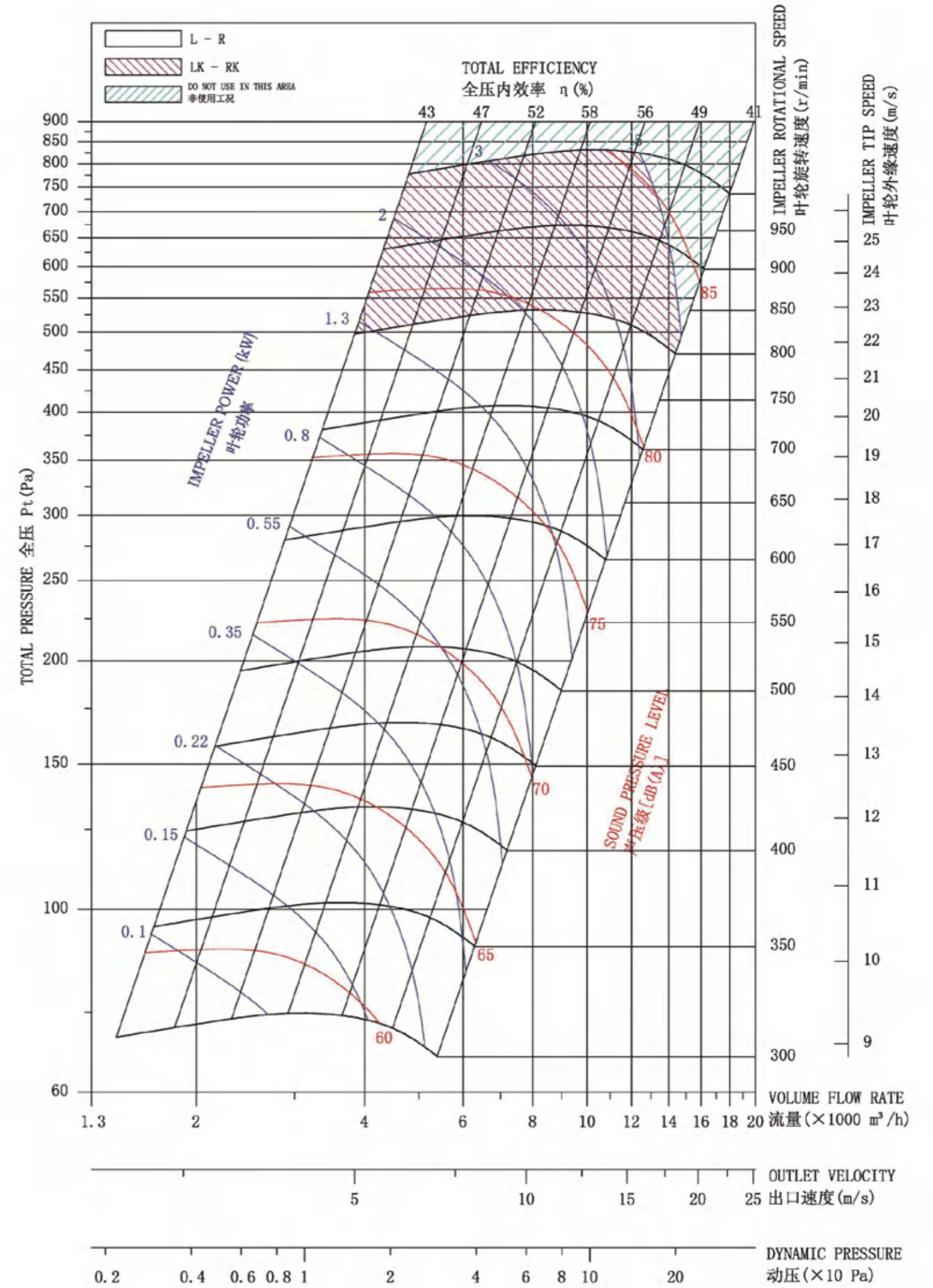
Performance shown is for installation type B, free inlet , duct outlet, and doesn't include the effects of appurtenances in the airstream. Power rating kW doesn't includedrive lesses.

AT 15-15



Performance shown is for installation type B, free inlet , duct outlet, and doesn't include the effects of appurtenances in the airstream. Power rating kW doesn't includedrive lessees.

AT 18-13

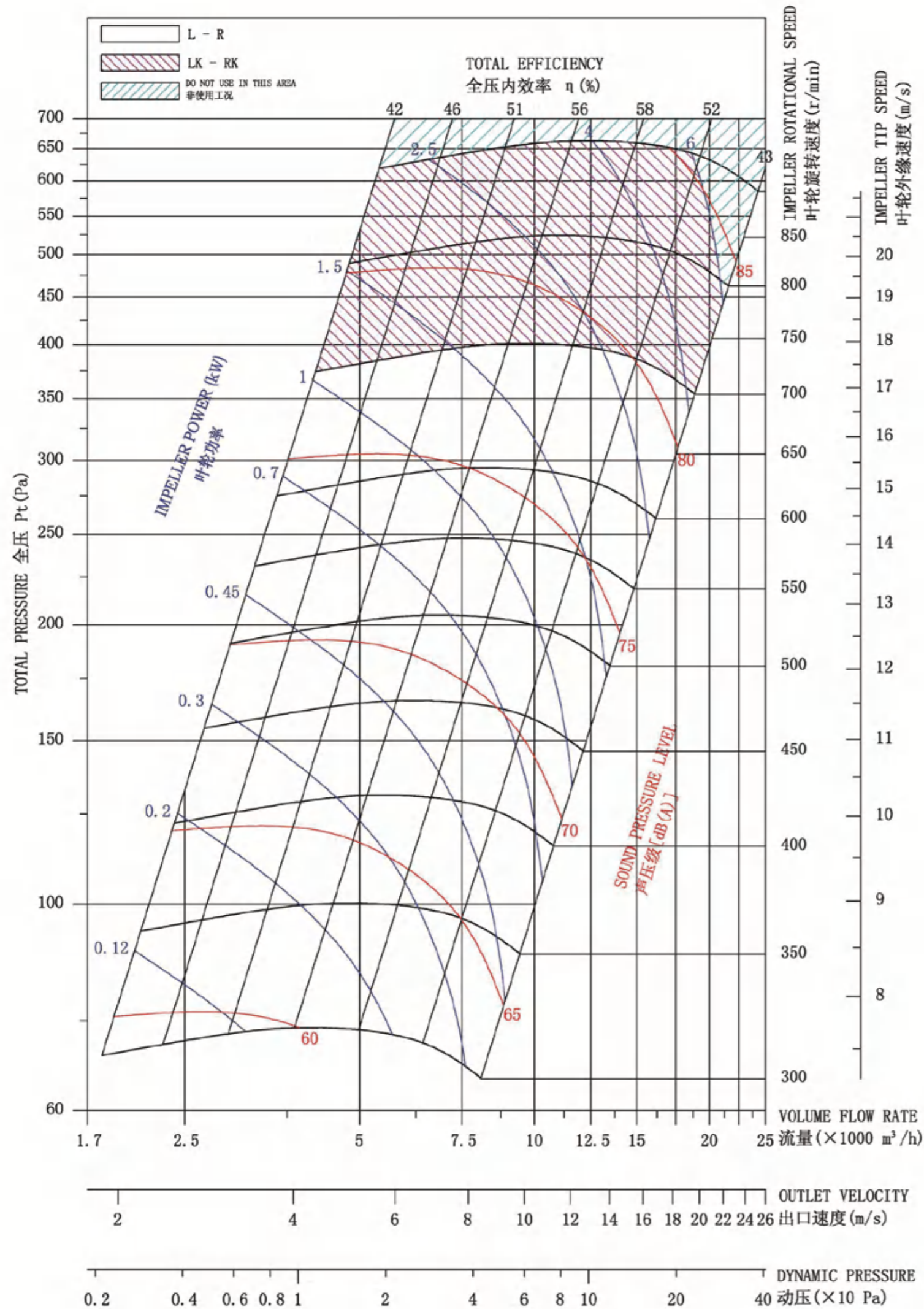


Performance shown is for installation type B, free inlet , duct outlet, and doesn't include the effects of appurtenances in the airstream. Power rating kW doesn't includedrive lessees.

AT 18-18

RDH Series Centrifugal Blower

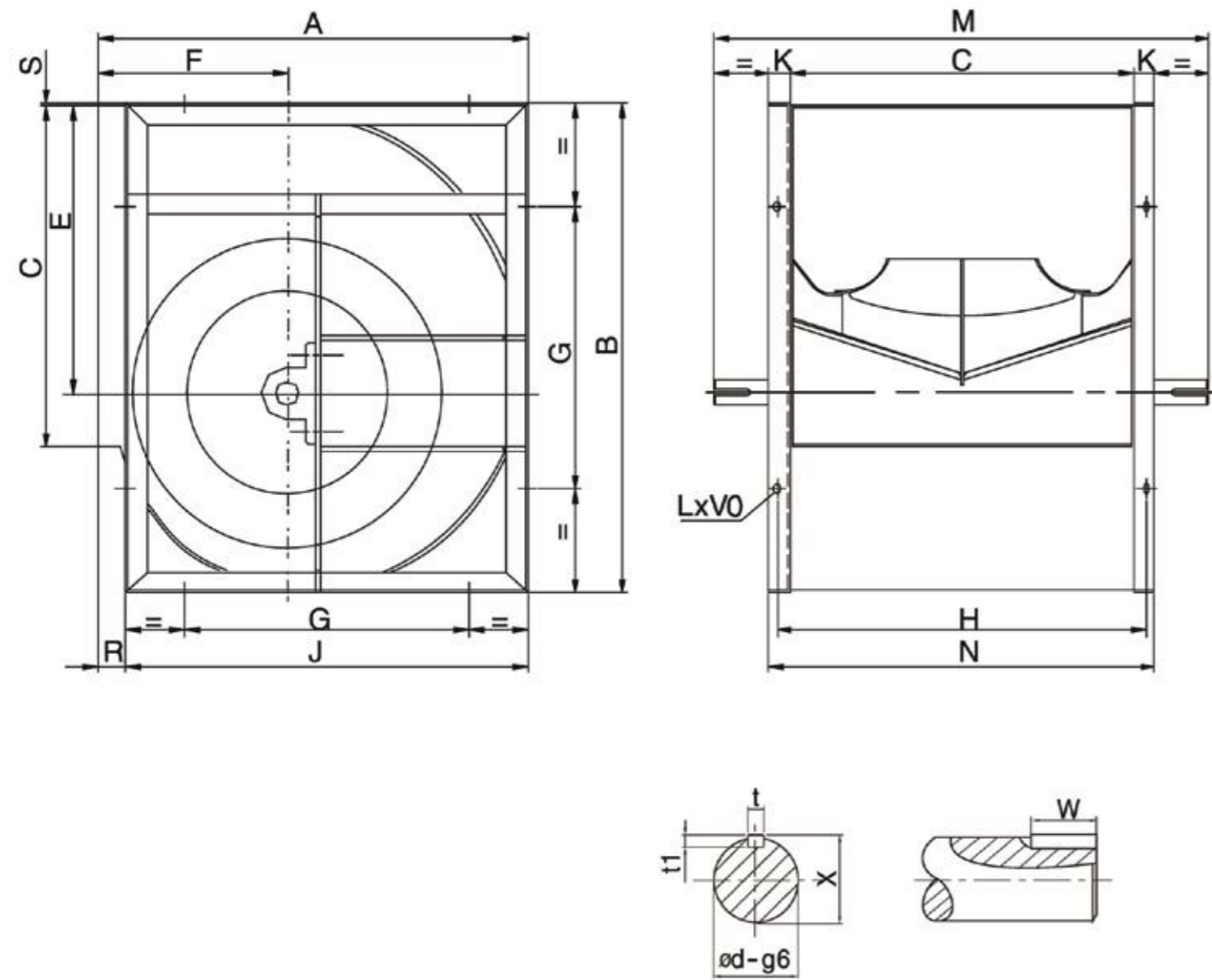
Professional HVAC Fan & Motors Manufacturer



Performance shown is for installation type B, free inlet , duct outlet, and doesn't include the effects of appurtenances in the airstream. Power rating kW doesn't includedrive losses.



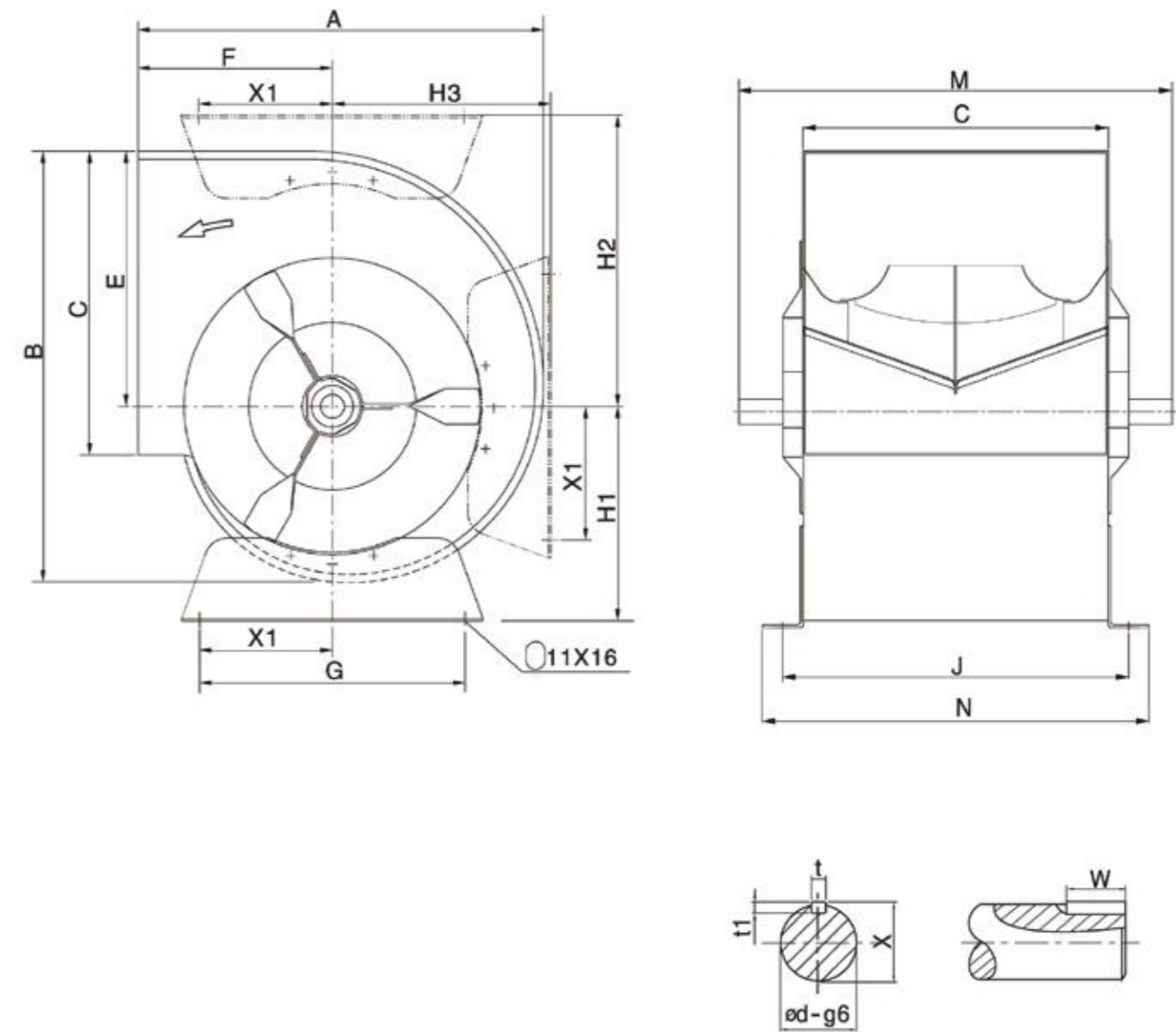
RDH - K(Z)



Technical Specifications

Model	A	B	C	E	F	G	H	J	K	M	N	R	S	t	t1	W	X	Φd	LxV
280	466	518	361	302	215	280	391	432	30	600	421	34	5	8	7	60	33	30	13×18
315	518	578	404	340	236	280	434	480	30	665	464	38	3	8	7	70	33	30	13×18
355	578	655	453	383	261	355	493	548	40	725	533	30	6	10	8	70	38	35	13×18
400	651	736	507	431.5	290	355	547	613	40	790	587	38	4.5	10	8	70	38	35	13×18
450	726	827	569	486	322	530	609	681	40	890	649	45	4.5	12	8	90	43	40	13×18
500	800	918	638	538	352	530	678	750	40	960	718	50	5	12	8	90	43	40	13×18
560	893	1030	715	603	390	530	765	845	50	1070	815	48	8	14	9	90	53.5	50	13×18
630	999	1157	801	678.5	434	530	851	946	50	1155	901	53	7	14	9	90	53.5	50	13×18
710	1121	1303	898	765	485	630	948	1058	50	1290	998	63	7	18	11	90	64	60	17×22
800	1250	1468	1007	862	535	710	1057	1181	50	1450	1107	69	7	18	11	90	64	60	17×22
900	1408	1648	1130	971	604	800	1180	1319	60	1570	1250	89	7	18	11	100	69	65	17×22
1000	1541	1810	1267	1066	657	900	1317	1462	60	1700	1387	79	9	18	11	100	69	65	17×22

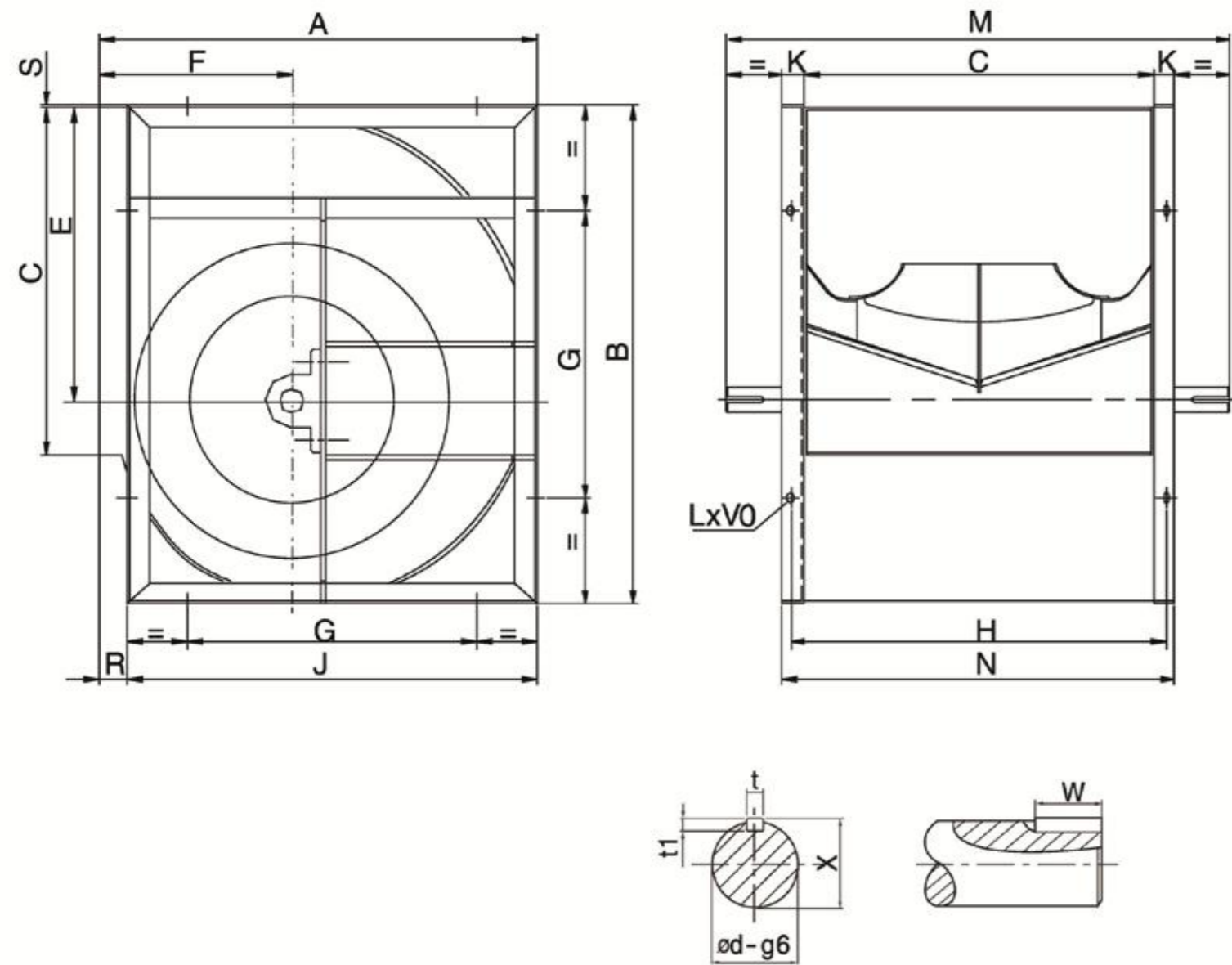
RDH - L



Technical Specifications

Model	A	B	C	E	F	G	J	M	N	X1	H1	H2	H3	t	t1	X	W	Φd
200	342	364	256	215	164	224	281	420	306	112	181	245	184	6	6	22.5	40	20
225	380	408	288	243	180	224	313	460	338	112	197	274	204	6	6	22.5	50	20
250	417	454	322	270	195	224	347	490	372	112	212	299	227	6	6	22.5	55	20

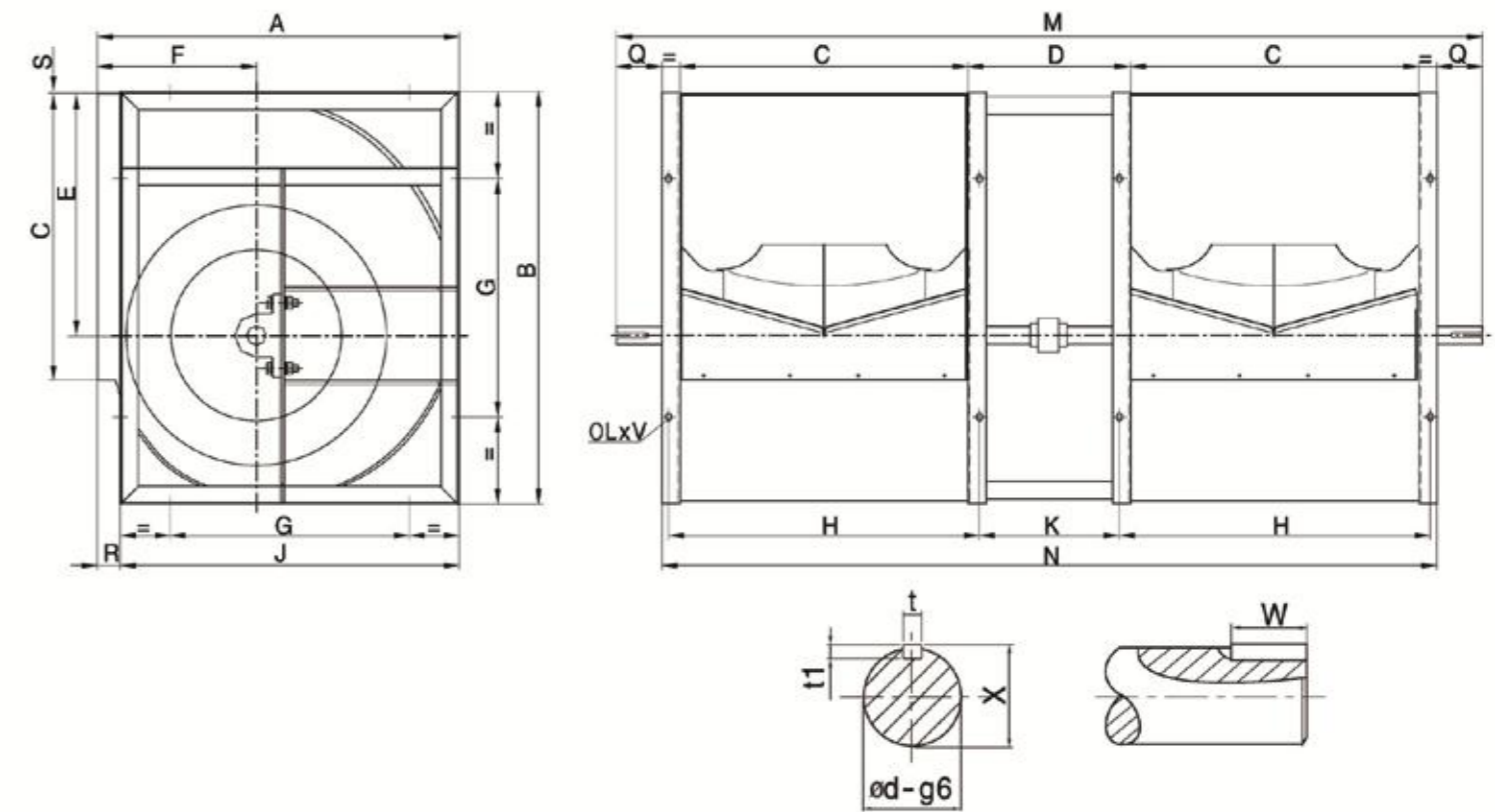
RDH - R



Technical Specifications

Model	A	B	C	E	F	G	H	J	K	M	N	R	S	t	t1	W	X	Φd	LxV
280	466	518	361	302	215	280	391	432	30	575	421	34	5	8	7	50	28	25	13×18
315	518	578	404	340	236	280	434	480	30	640	464	38	3	8	7	60	28	25	13×18
355	578	655	453	383	261	355	493	548	40	700	533	30	6	8	7	60	33	30	13×18
400	651	736	507	431.5	290	355	547	613	40	760	587	38	4.5	8	7	60	33	30	13×18
450	726	827	569	486	322	530	609	681	40	845	649	45	5	10	8	70	38	35	13×18
500	800	918	638	538	352	530	678	750	40	915	718	50	5	10	8	70	38	35	13×18
560	893	1030	715	602	390	530	765	845	50	1000	815	48	8	12	8	70	43	40	13×18
630	999	1157	801	678.5	434	530	851	946	50	1090	901	53	7	14	9	70	48.5	45	13×18
710	1121	1303	898	765	485	630	948	1058	50	1255	998	63	7	14	9	90	53.5	50	17×22

RDH - R(K)2



Technical Specifications

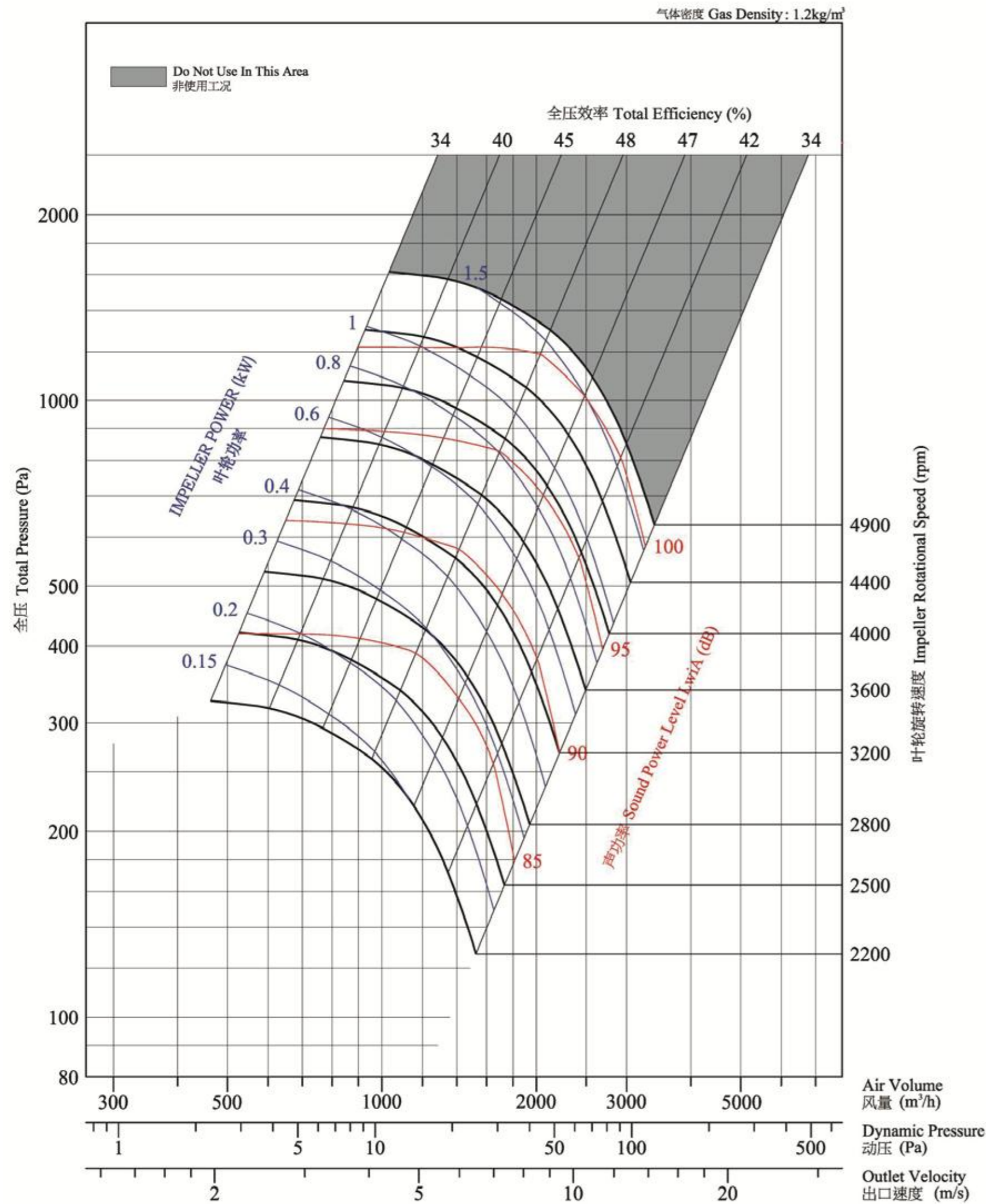
Model	A	B	C	D	E	F	G	H	J	K	M	N	Q	R	S	t	t1	W	X	Φd	LxV
280	466	518	361	280	302	215	280	391	432	250	1216	1060	77	34	5	8	7	50	28	25	13×18
315	518	578	404	315	340	236	280	434	480	285	1359	1183	88	38	3	8	7	60	28	25	13×18
355	578	654	453	355	383	260	355	493	548	315	1508	1339	83.5	30	6	8	7	60	33	30	13×18
400	650	736	507	400	432	290	355	547	612	360	1667	1492	86.5	38	4.5	8	7	60	33	30	13×18
450	726	827	569	450	486	322	530	609	681	410	1864	1666	98	45	5	10	8	70	38	35	13×18
500	800	918	638	500	538	352	530	678	750	460	2053	1856	98.5	50	5	10	8	70	38	35	13×18
560	893	1030	715	560	602	390	530	765	845	510	2275	2090	92.5	48	8	12	8	70	43	40	13×18
630	999	1157	801	630	678.5	434	530	851	946	580	2521	2332	94.5	53	7	14	9	70	48.5	45	13×18
710	1121	1303	898	710	765	485	630	948	1058	660	2863	2606	128.5	63	7	14	9	90	53.5	50	17×22

RDH - R2

RDH - K2

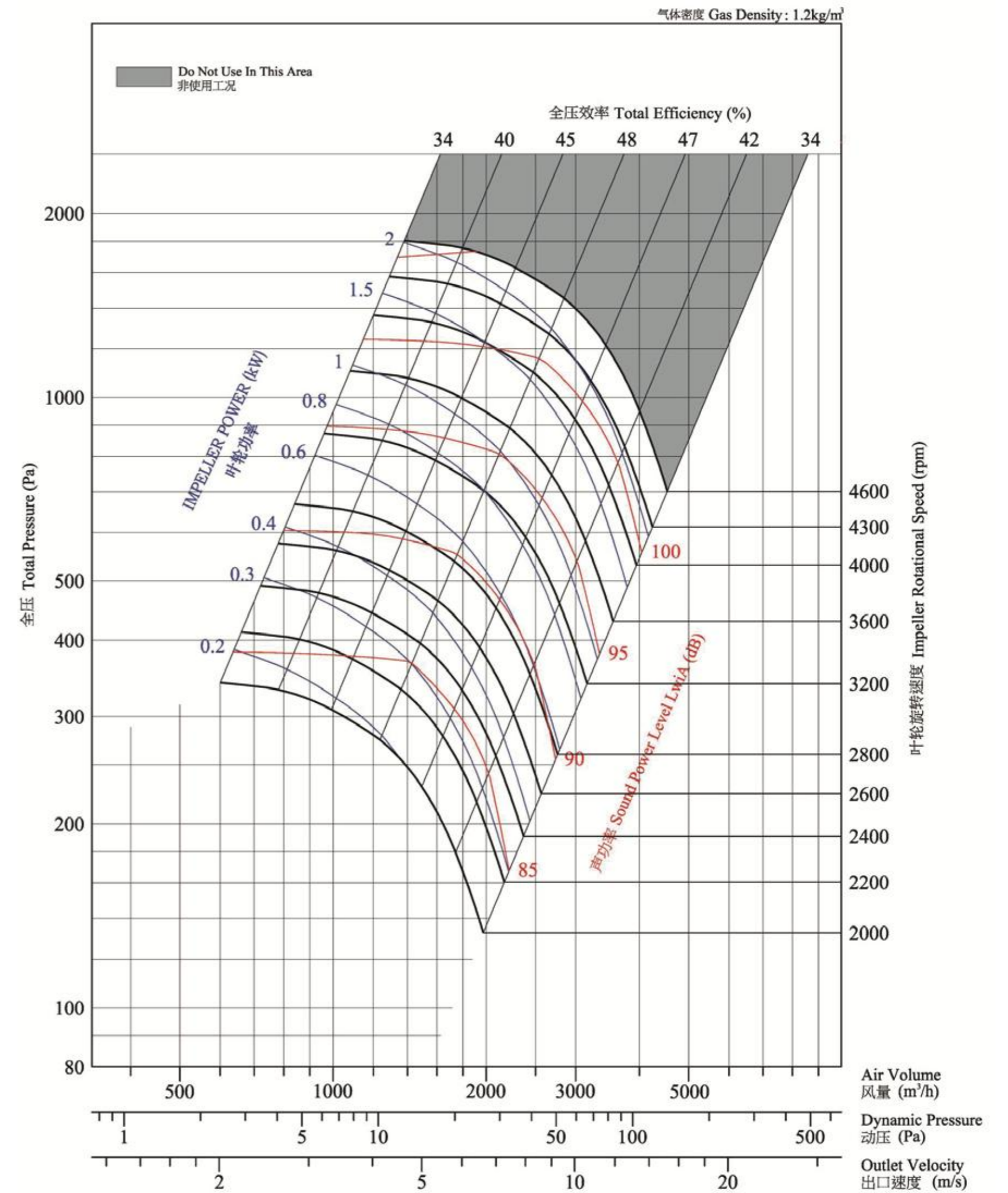
Model	A	B	C	D	E	F	G	H	J	K	M	N	Q	R	S	t	t1	W	X	Φd	LxV
355	578	654	453	355	383	260	355	493	548	315	1533	1339	96	30	6	10	8	70	38	35	13×18
400	650	736	507	400	432	290	355	547	612	360	1697	1492	99	38	4.5	10	8	70	38	35	13×18
450	726	827	569	450	486	322	530	609	681	410	1909	1666	120.5	45	5	12	8	90	43	40	13×18
500	800	918	638	500	538	352	530	678	750	460	2098	1856	121	50	5	12	8	90	43	40	13×18
560	893	1030	715	560	602	390	530	765	845	510	2345	2090	127.5	48	8	14	9	90	53.5	50	13×18
630	999	1157	801	630	678.5	434	530	851	946	580	2586	2332	127	53	7	14	9	90	53.5	50	13×18
710	1121	1303	898	710	765	485	630	948	1058	660	2898	2606	146	63	7	18	11	90	64	60	17×22
800	1250	1468	1007	800	862	535	710	1057	1181	750	3257	2914	171.5	69	7	18	11	90	64	60	17×22
900	1408	1648	1130	900	971	604	800	1180	1319	850	3600	3280	160	89	7	18	11	100	69	65	17×22
1000	1541	1810	1267	1000	1066	657	900	1317	1462	950	3967	3654	156.5	79	7	18	11	100	69	65	17×22

RDH - 200



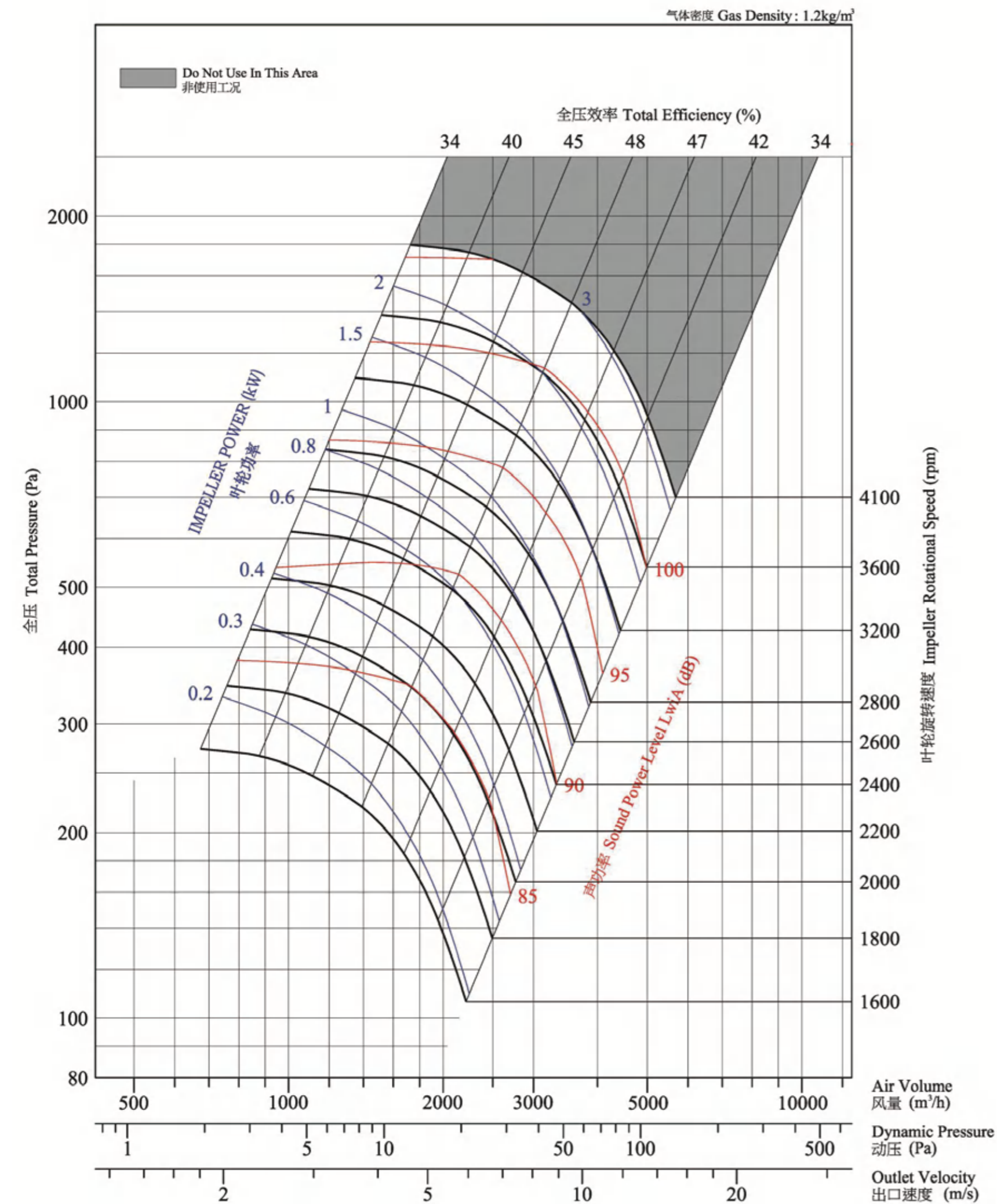
Performance shown is for installation type B, free inlet , duct outlet, and doesn't include the effects of appurtenances in the airstream.Power rating kW doesn't includedrive lesses.

RDH - 225



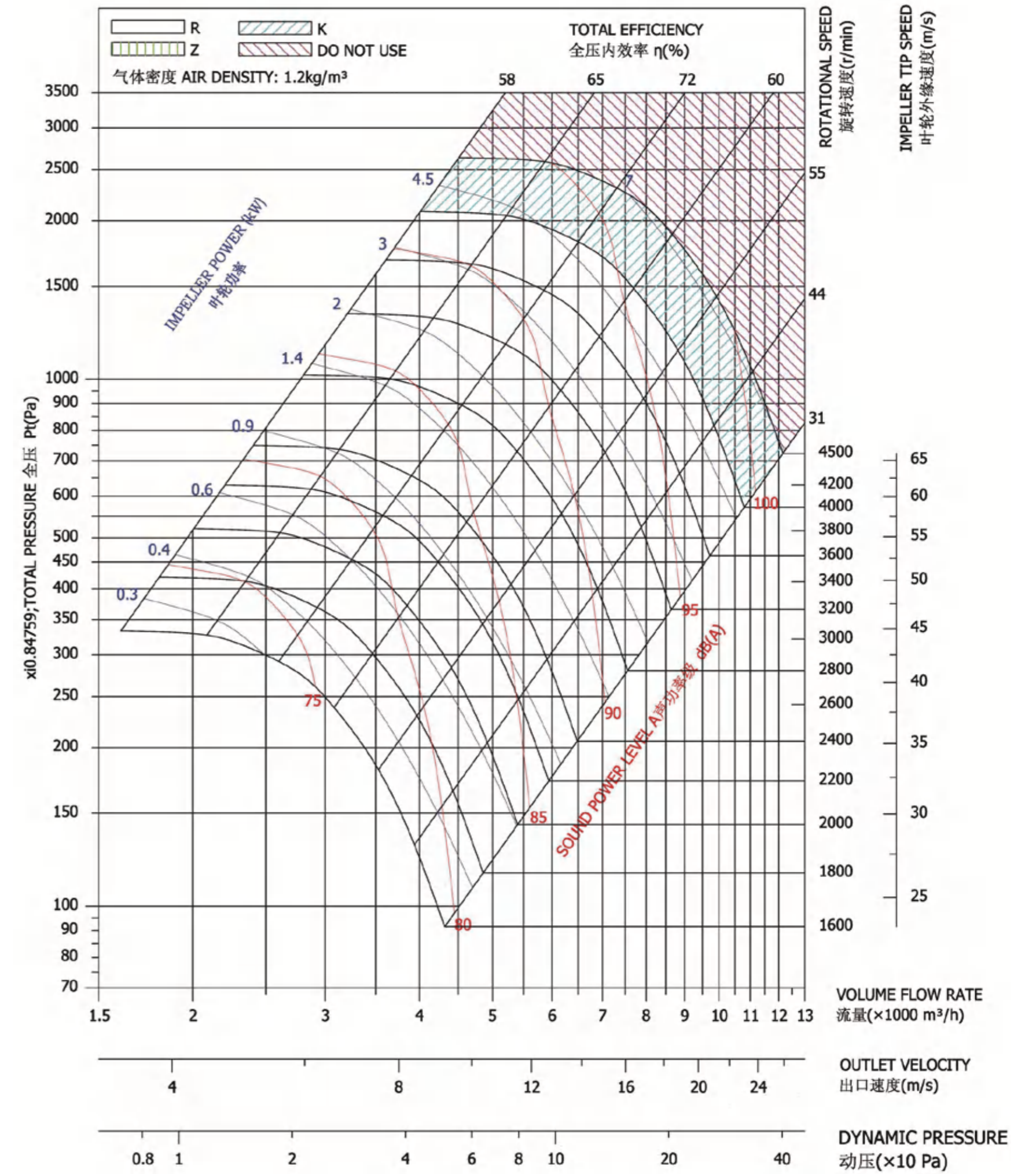
Performance shown is for installation type B, free inlet , duct outlet, and doesn't include the effects of appurtenances in the airstream.Power rating kW doesn't includedrive lesses.

RDH - 250



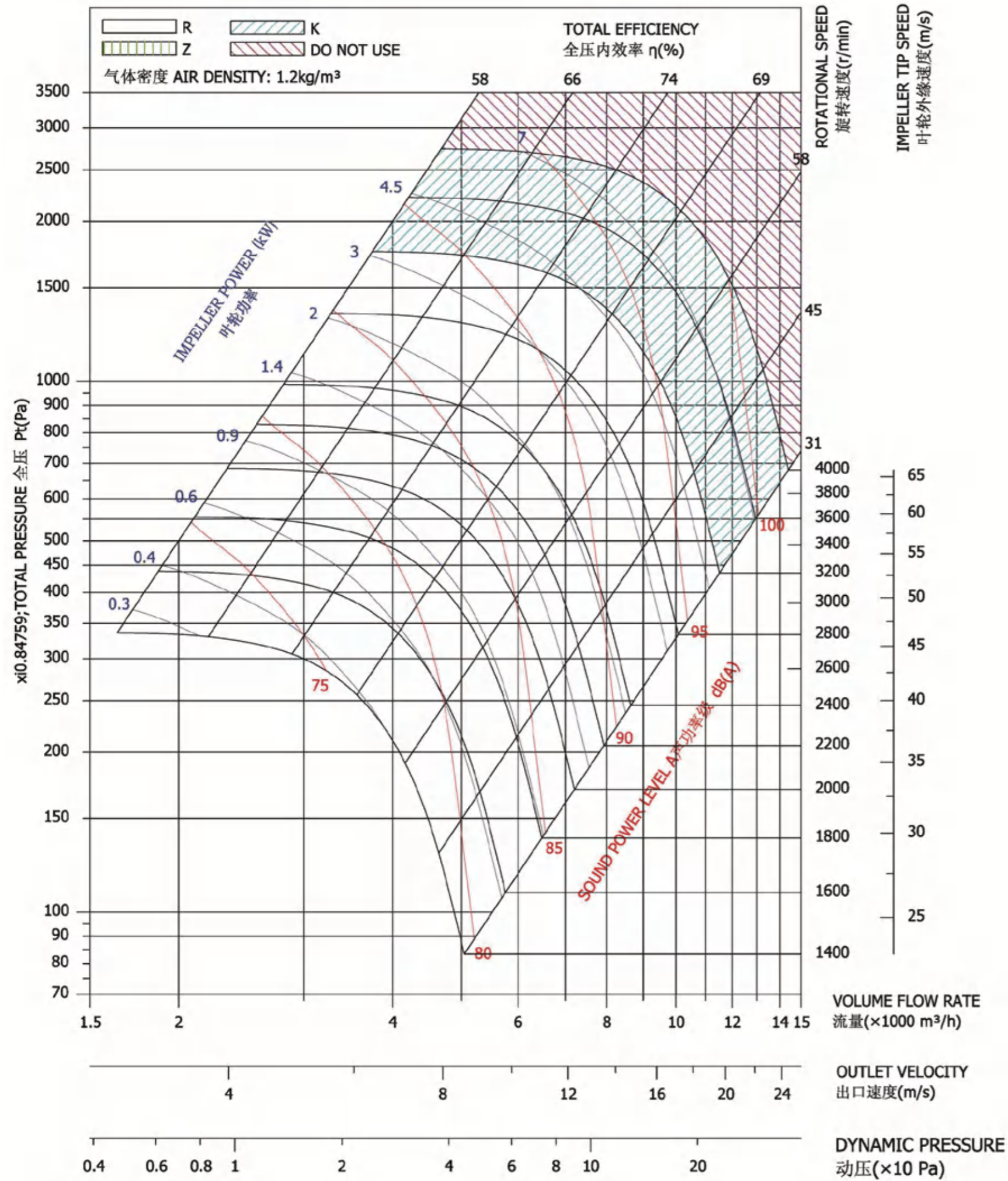
Performance shown is for installation type B, free inlet , duct outlet, and doesn't include the effects of appurtenances in the airstream. Power rating kW doesn't includedrive lesses.

RDH - 280



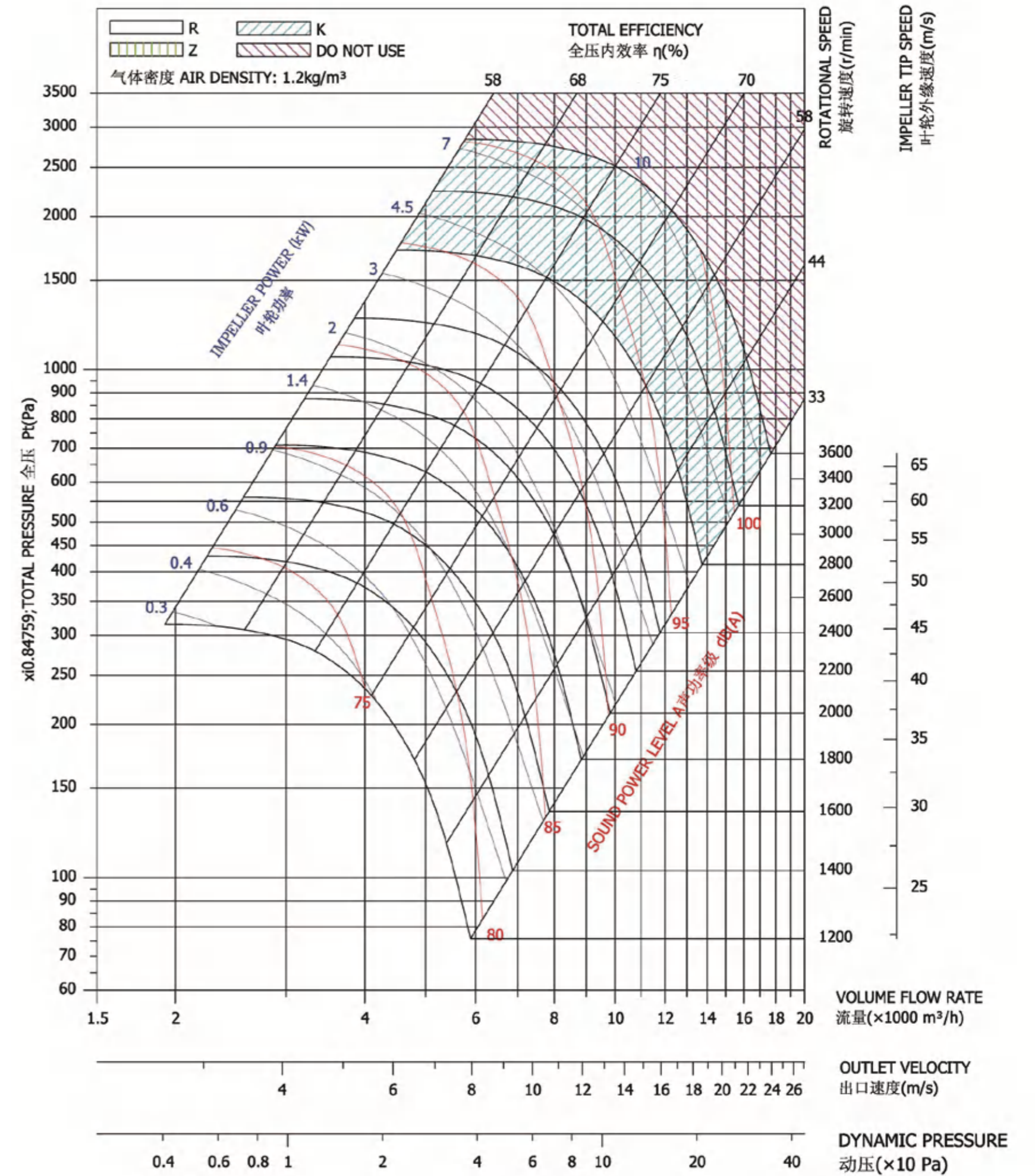
Performance shown is for installation type B, free inlet , duct outlet, and doesn't include the effects of appurtenances in the airstream. Power rating kW doesn't includedrive lesses.

RDH - 315



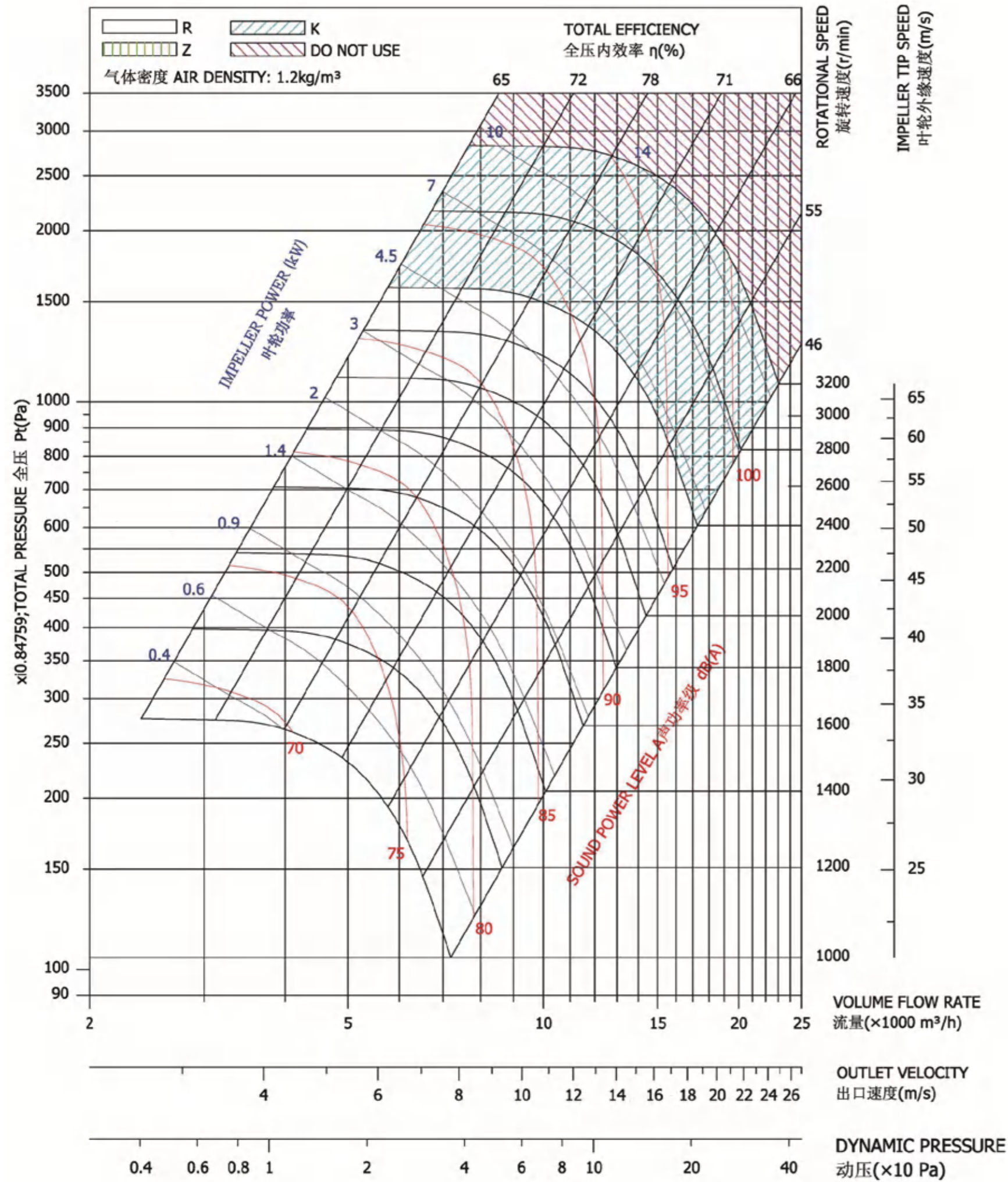
Performance shown is for installation type B, free inlet , duct outlet, and doesn't include the effects of appurtenances in the airstream.Power rating kW doesn't includedrive lessees.

RDH - 355



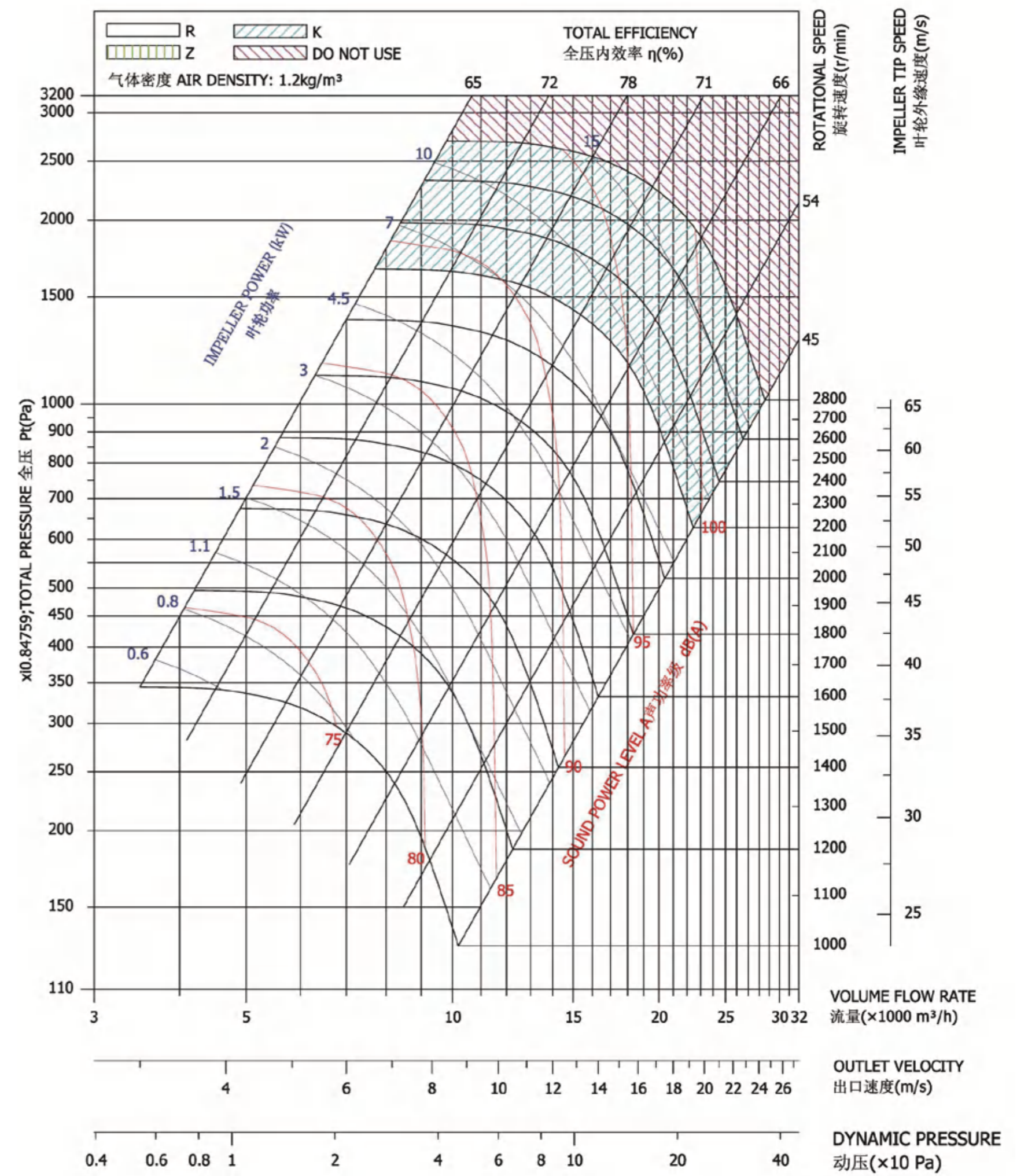
Performance shown is for installation type B, free inlet , duct outlet, and doesn't include the effects of appurtenances in the airstream.Power rating kW doesn't includedrive lessees.

RDH - 400



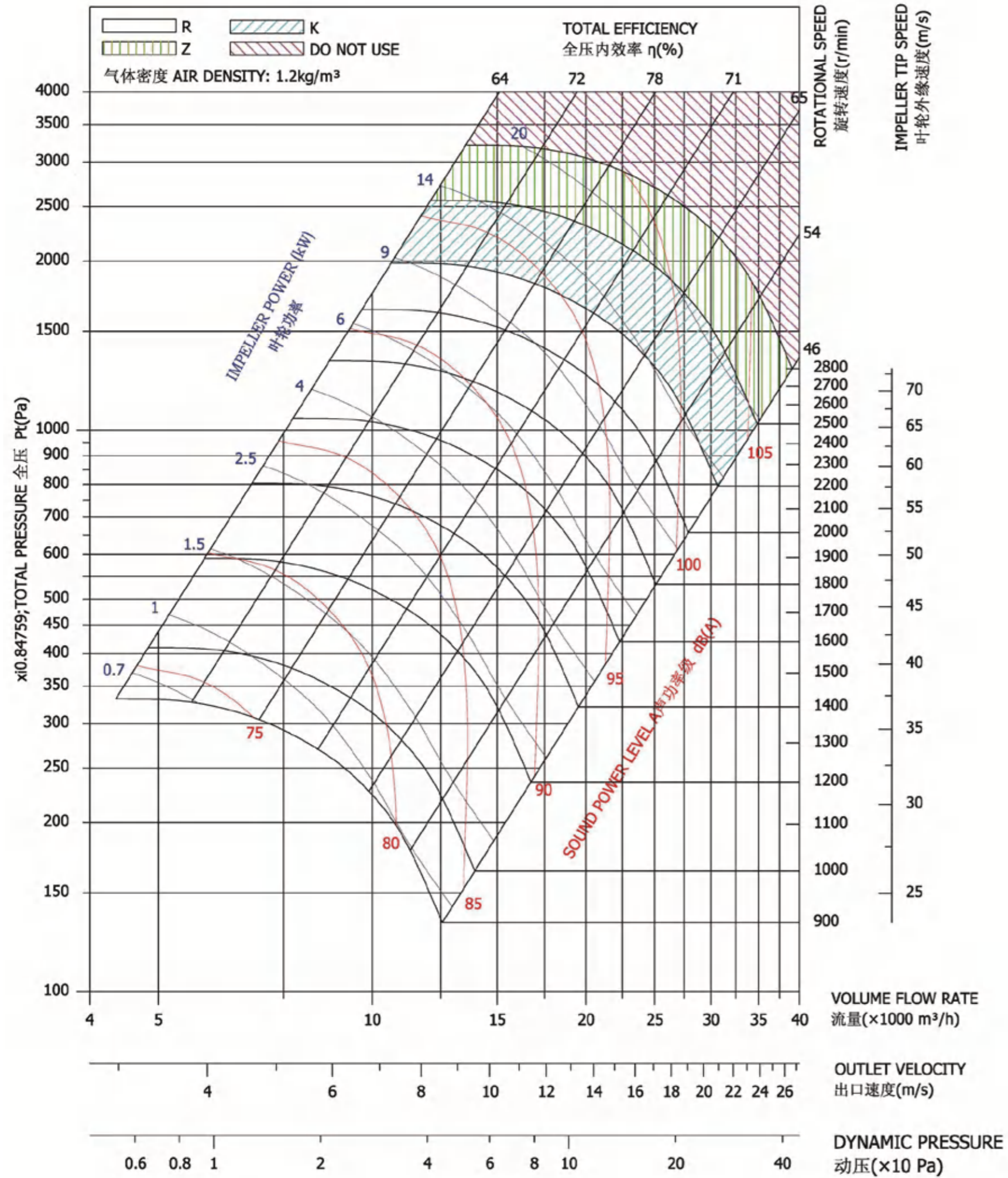
Performance shown is for installation type B, free inlet , duct outlet, and doesn't include the effects of appurtenances in the airstream.Power rating kW doesn't includedrive lessees.

RDH - 450



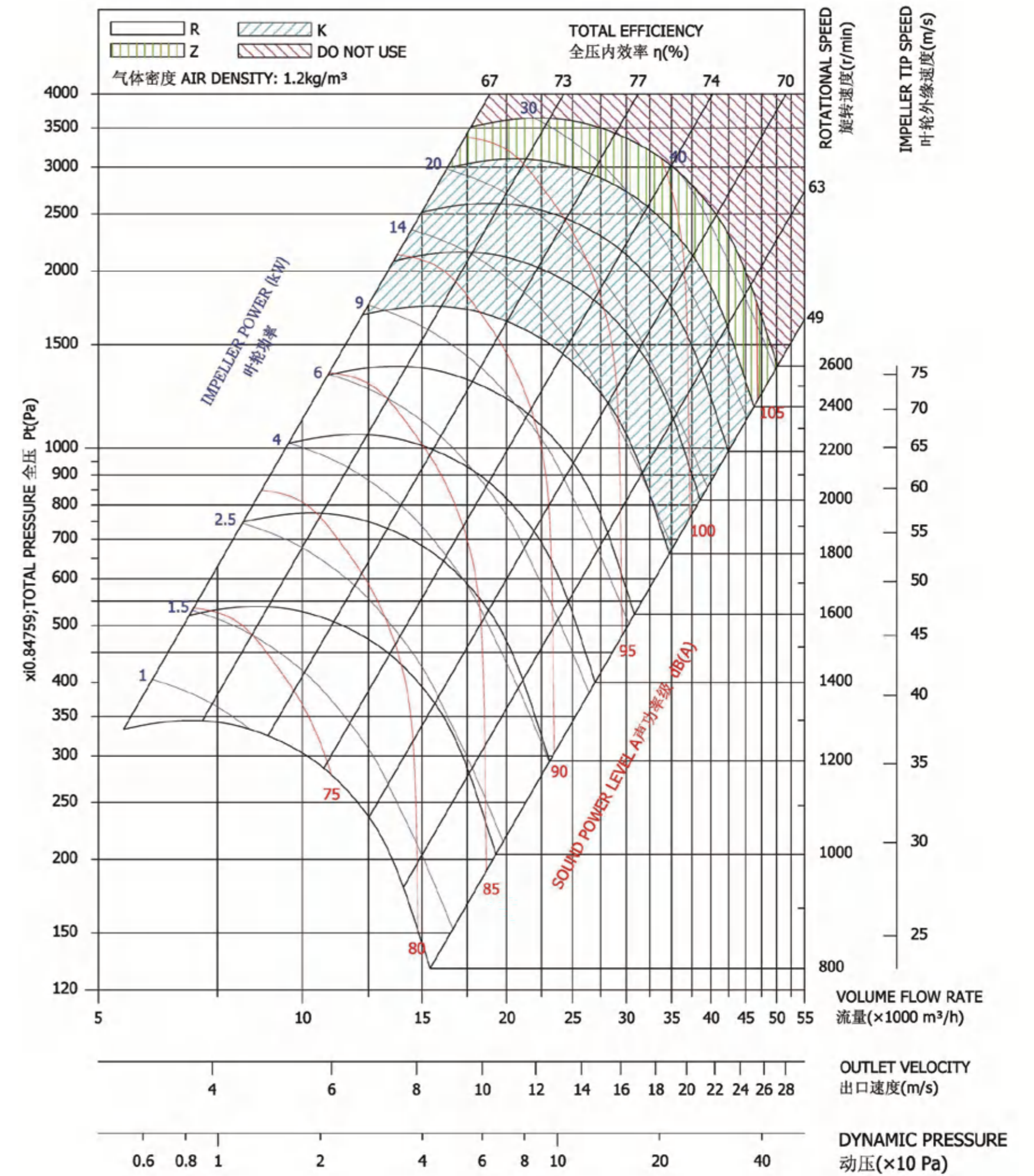
Performance shown is for installation type B, free inlet , duct outlet, and doesn't include the effects of appurtenances in the airstream.Power rating kW doesn't includedrive lessees.

RDH - 500



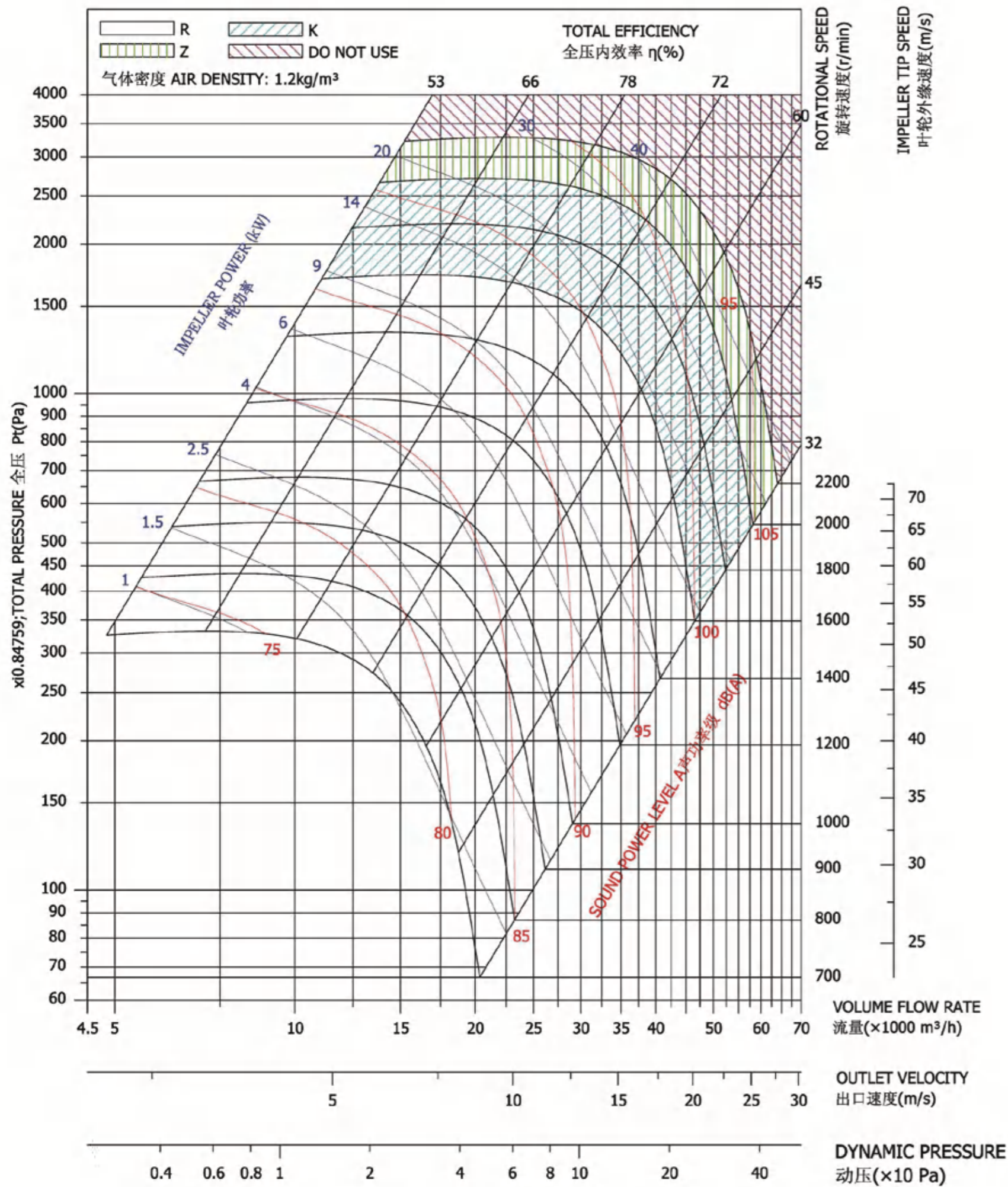
Performance shown is for installation type B, free inlet, duct outlet, and doesn't include the effects of appurtenances in the airstream. Power rating kW doesn't include drive losses.

RDH - 560



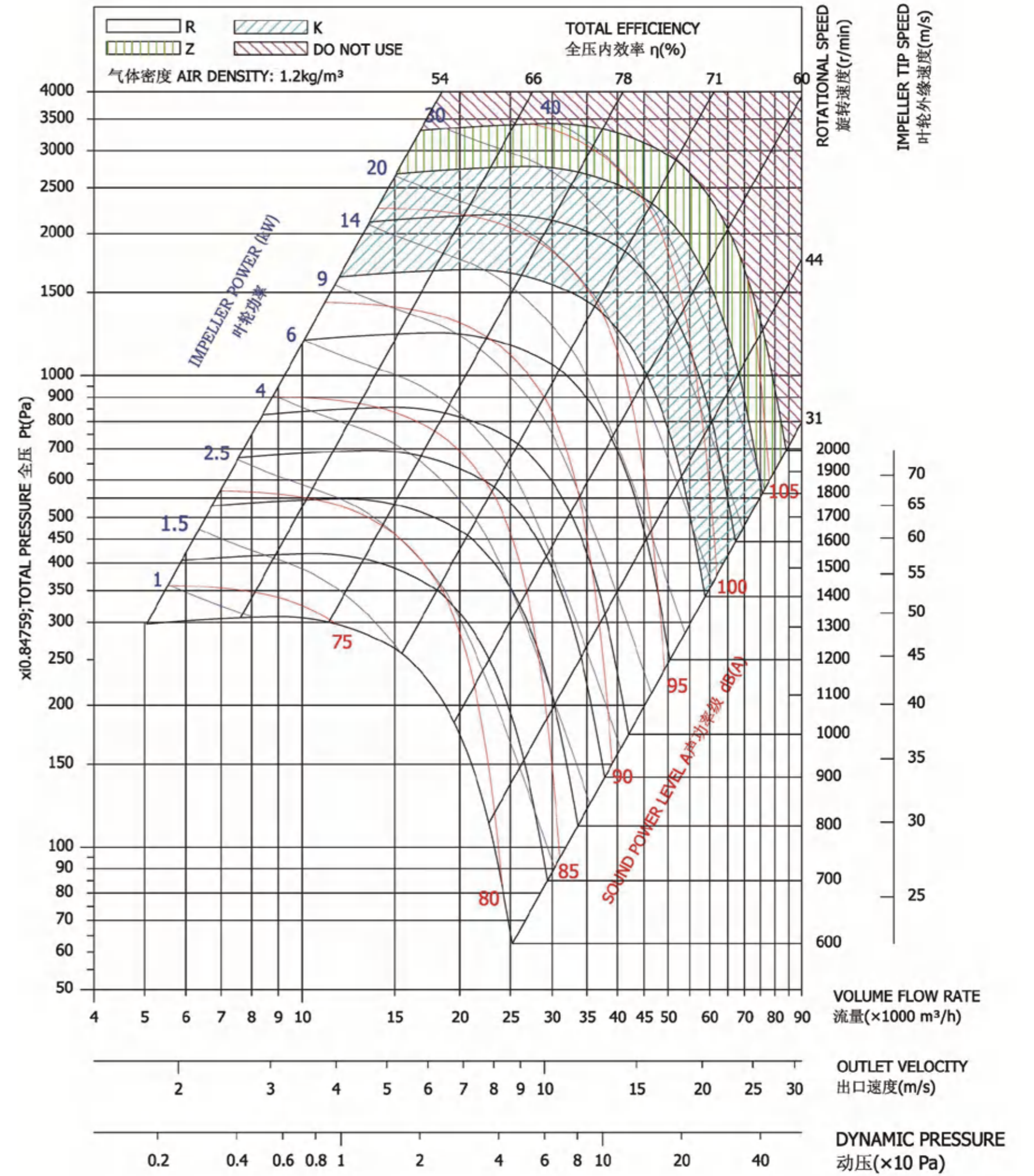
Performance shown is for installation type B, free inlet, duct outlet, and doesn't include the effects of appurtenances in the airstream. Power rating kW doesn't include drive losses.

RDH - 630



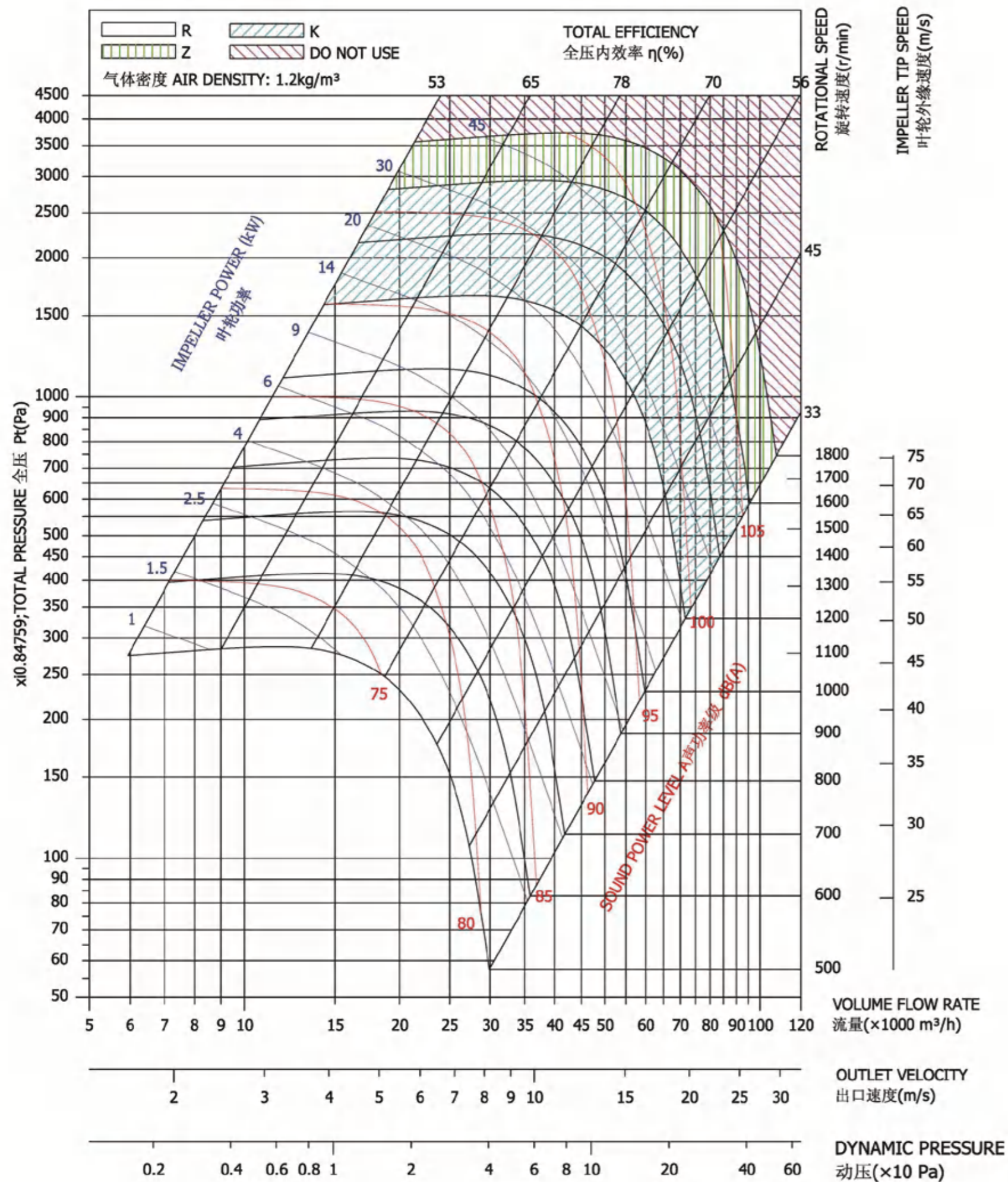
Performance shown is for installation type B, free inlet , duct outlet, and doesn't include the effects of appurtenances in the airstream.Power rating kW doesn't includedrive lesses.

RDH - 710



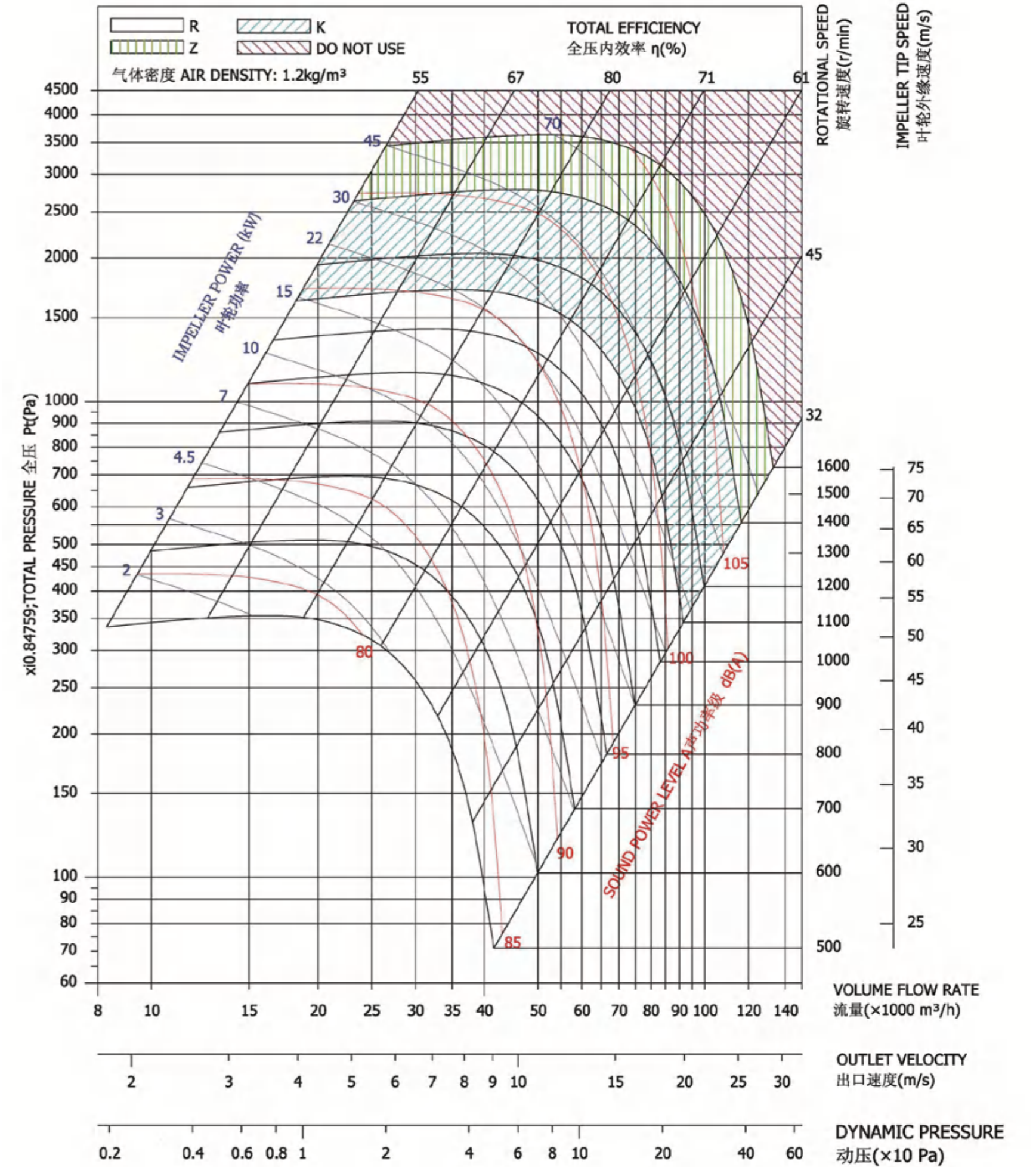
Performance shown is for installation type B, free inlet , duct outlet, and doesn't include the effects of appurtenances in the airstream.Power rating kW doesn't includedrive lesses.

RDH - 800



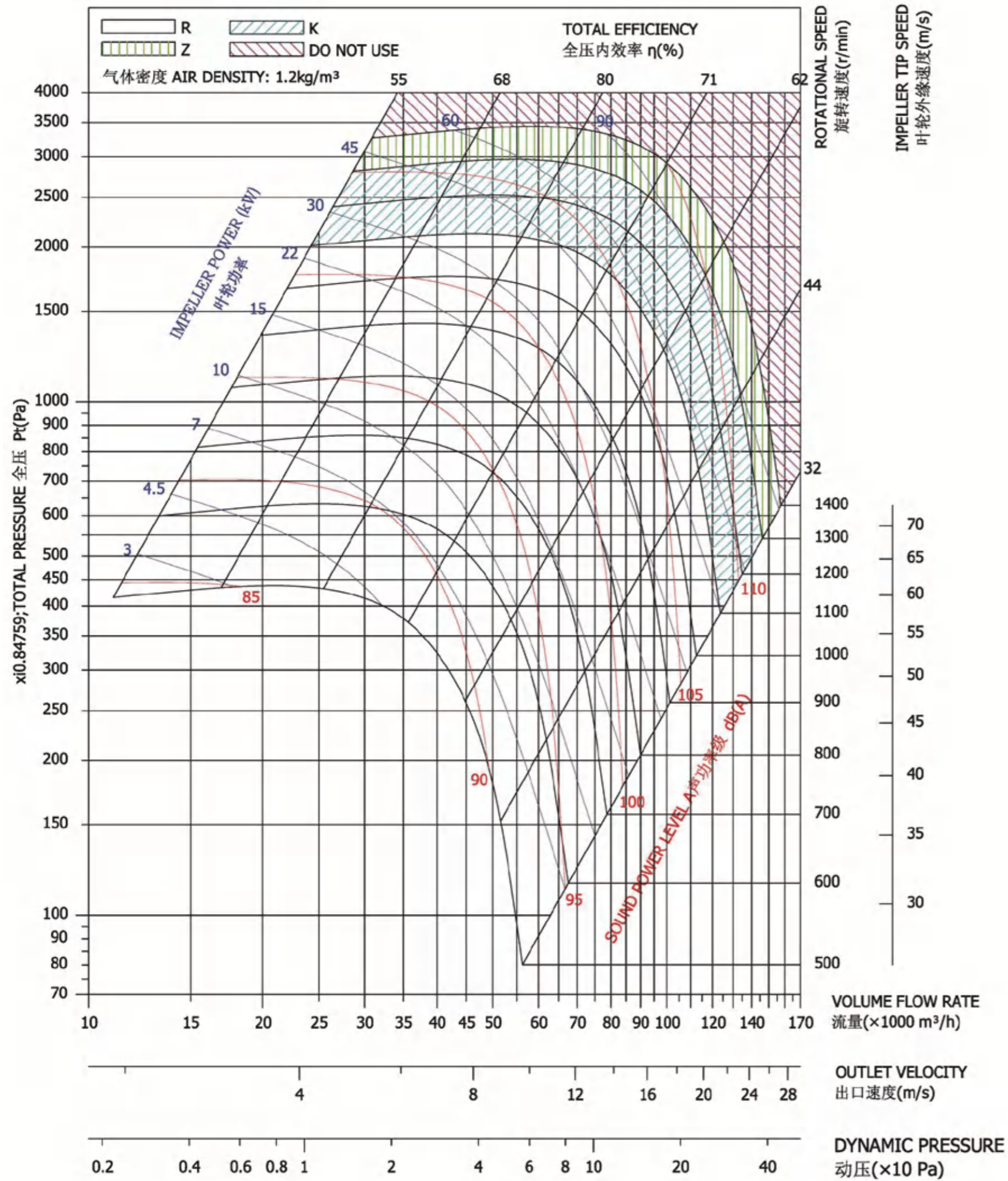
Performance shown is for installation type B, free inlet , duct outlet, and doesn't include the effects of appurtenances in the airstream.Power rating kW doesn't includedrive lessees.

RDH - 900



Performance shown is for installation type B, free inlet , duct outlet, and doesn't include the effects of appurtenances in the airstream.Power rating kW doesn't includedrive lessees.

RDH - 1000



Performance shown is for installation type B, free inlet , duct outlet, and doesn't include the effects of appurtenances in the airstream. Power rating kW doesn't includedrive losses.

RLM Series Centrifugal Blower

Professional HVAC Fan & Motors Manufacturer



PLUG FAN-RLM Series

Impeller

Centrifugal plug fan impellers are made of sheet steel with backward blade, according aerodynamics design the impeller have high efficiency and low power.

Maximum tip speed of the impeller is 70m/s.

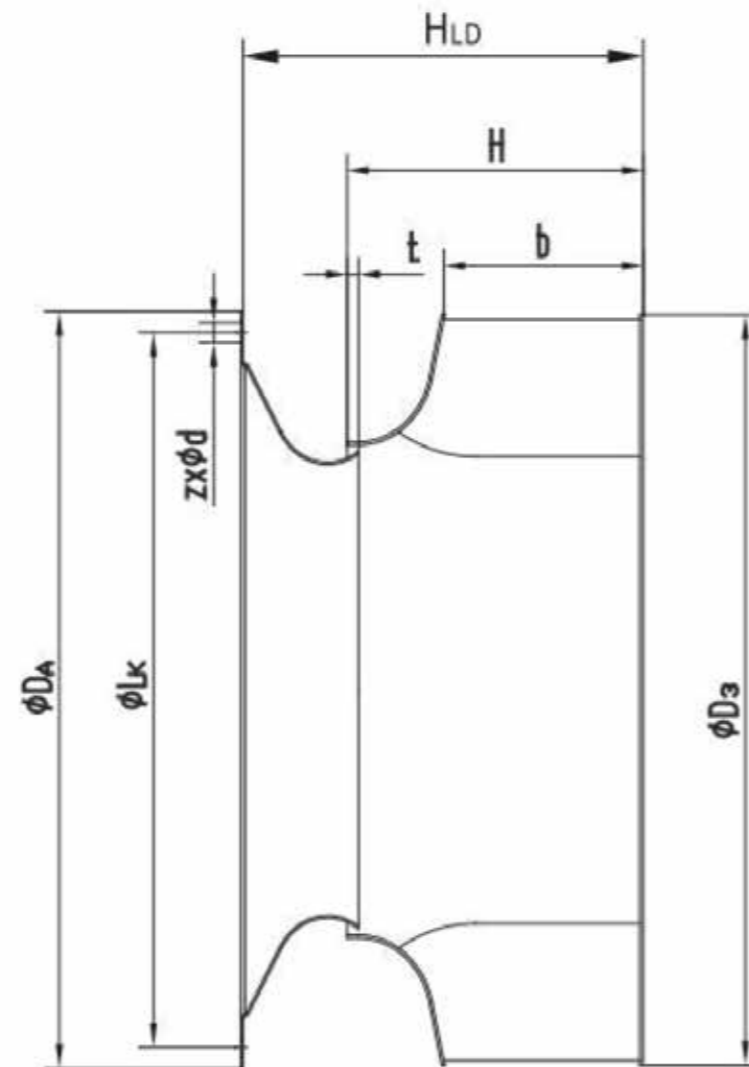
Outstanding characteristic is with stable performance and low noise, and the impeller is balanced according to G 2.5 to DIN ISO 1940/1. Inside of impeller the GG-hub is fixed with locked bush. The blade is made of stainless steel or steel.

Inlet cone

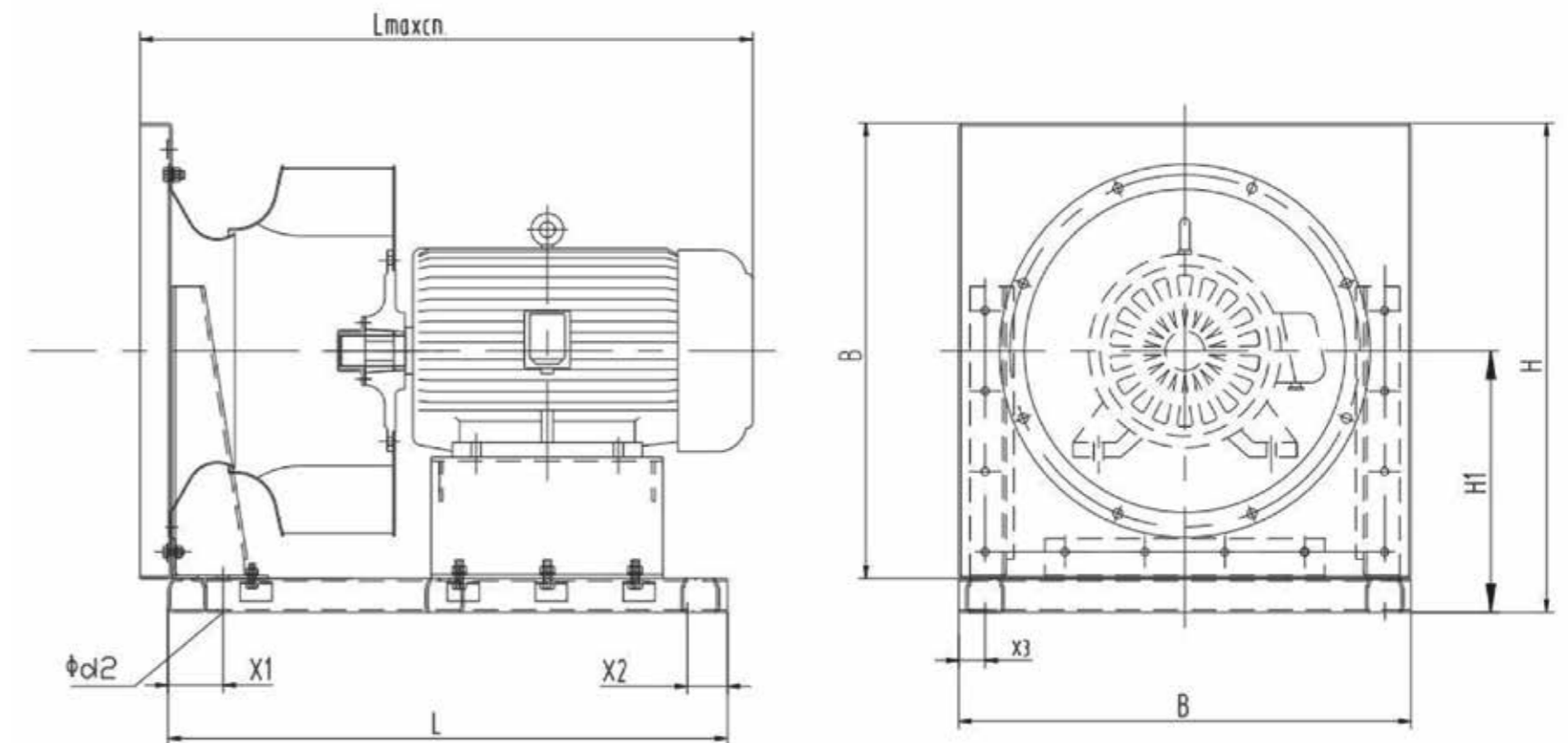
The inlet cone is made of sheet steel and is a special part, it can lead air into impeller stably.

Wrap part

Wrap part of Impeller and inlet cone is design to ensure impeller performance and take care to protect, this wrap part manufacture with aerodynamic via special testing.



PLUG FAN-RLM Series



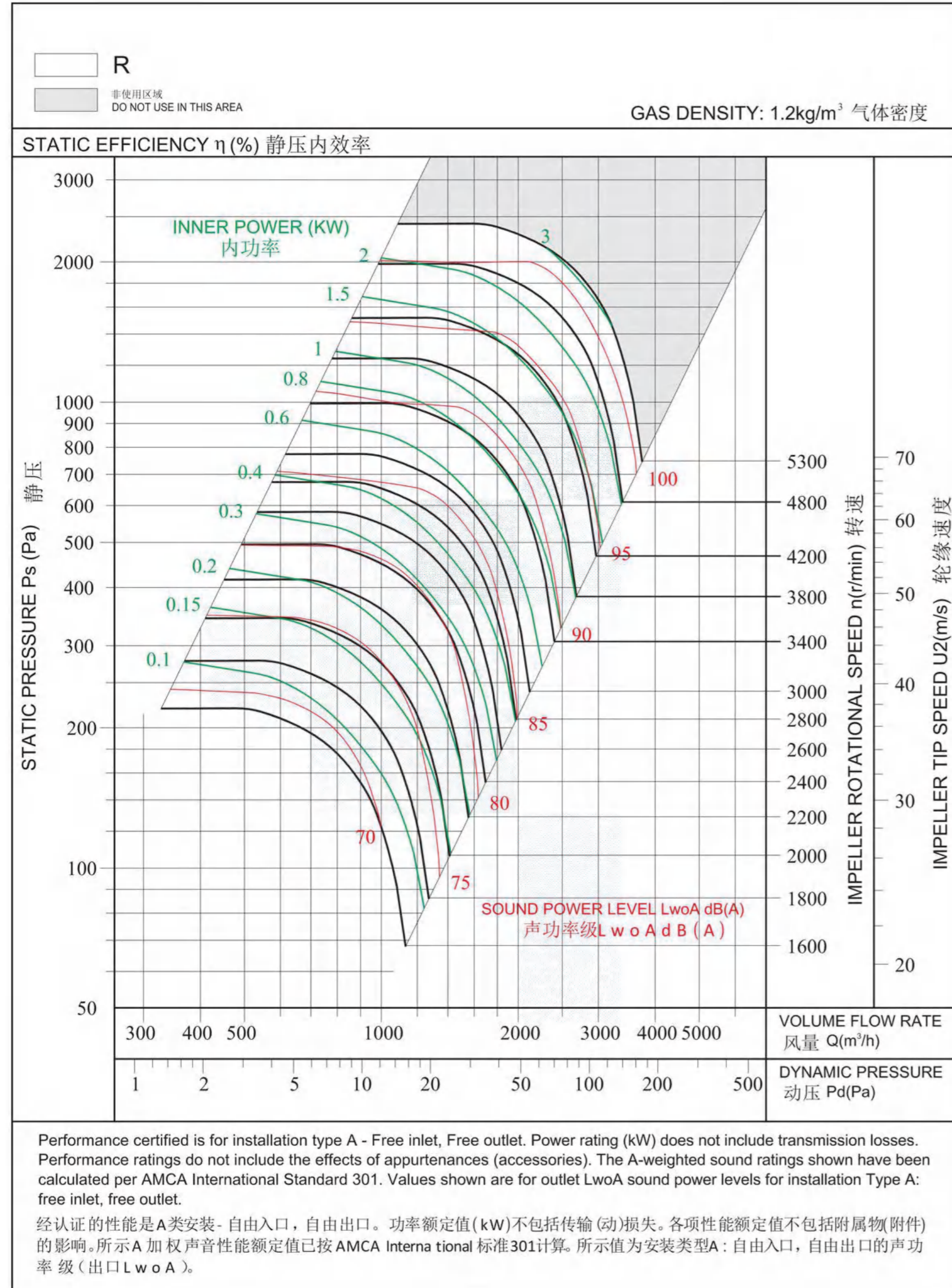
Technical Specifications

Model	φD3	b	H	φDA	φLk	Zxφd	HLD	t	n _{max}
250	257	80	118	280	259	6×7	158	5	4500
280	289	89	133	307	286	6×7	179.5	5.5	4300
315	324	100	146	348	320	6×7	200.5	5	4000
355	365	112	162	382	356	6×9	223.5	6	3500
400	410	126	185	422	395	8×9	253	7	2900
450	460	142	210	464	438	8×12	282	8	2900
500	517	159	235	515	487	8×12	317	8	2500
560	578	178	262	564	541	8×12	357	9	2200
630	648	199	293	638	605	8×12	401.5	10	1900
710	728	224	328	710	674	8×14	450	12	1600
800	818	252	368	785	751	8×14	506.5	14	1400
900	917	282	413	875	837	8×14	563.5	16	1250
1000	1012	316	462	970	934	8×14	629	18	960

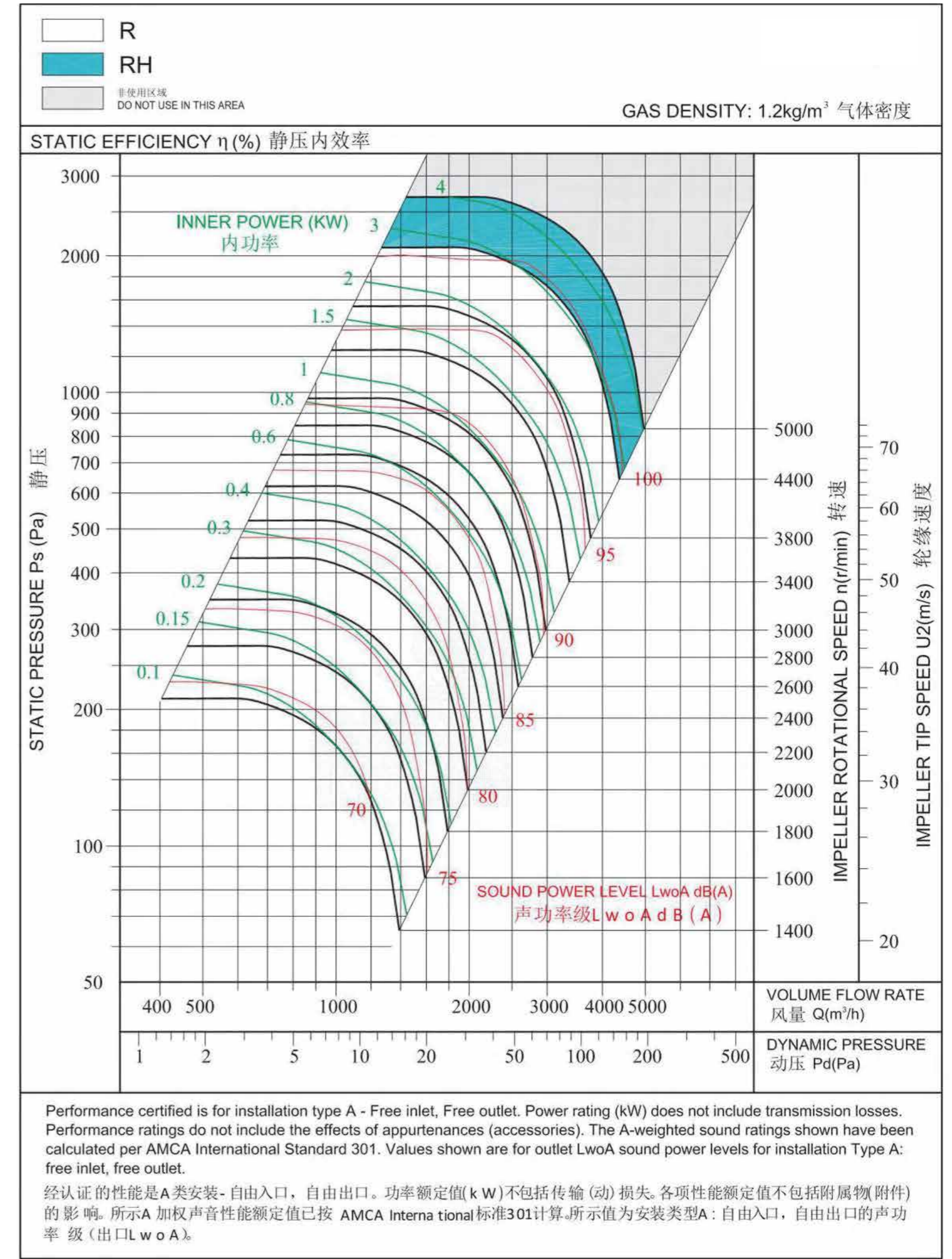
Technical Specifications

Model	B	H	H1	L	Lmaxca.	X1	X2	X3	φd2
250	376	414	226	475	610	60	40	24.5	14
280	400	438	238	475	610	60	40	24.5	14
315	430	468	253	520	660	60	40	24.5	14
355	462	500	269	533	680	60	40	25	14
400	502	540	289	586	740	60	40	25	14
450	566	608	325	700	780	69	50	33	14
500	612	654	348	760	800	80	50	31	14
560	688	744	400	870	950	100	50	38	18
630	768	824	440	920	990	100	50	39	18
710	850	935	510	1000	1090	100	50	50	18
800	940	1020	550	1100	1220	100	100	50	20
900	1044	1154	632	1200	1291	100	100	60	20
1000	1140	1250	680	1320	1486	100	100	60	20

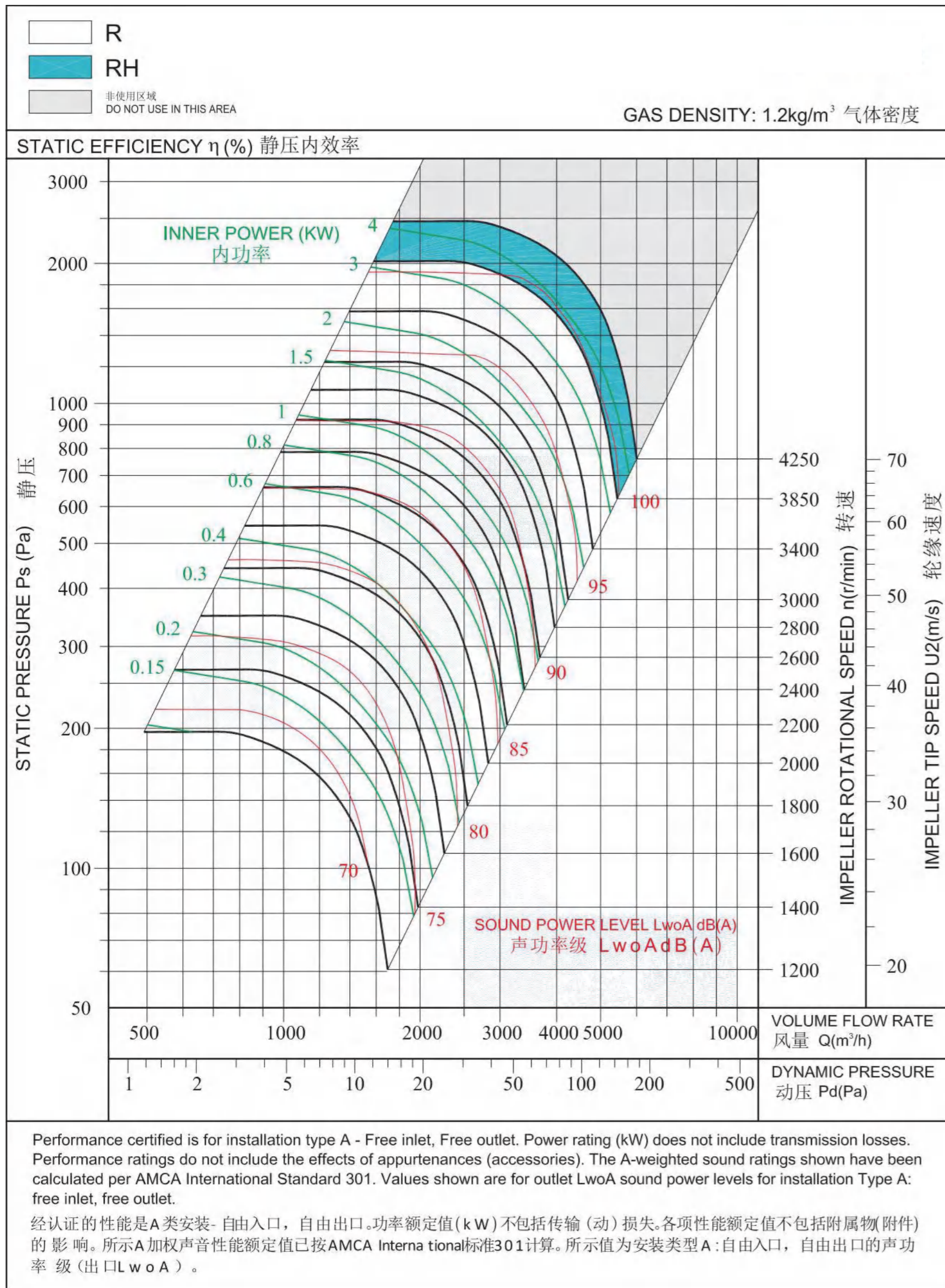
RLM-250



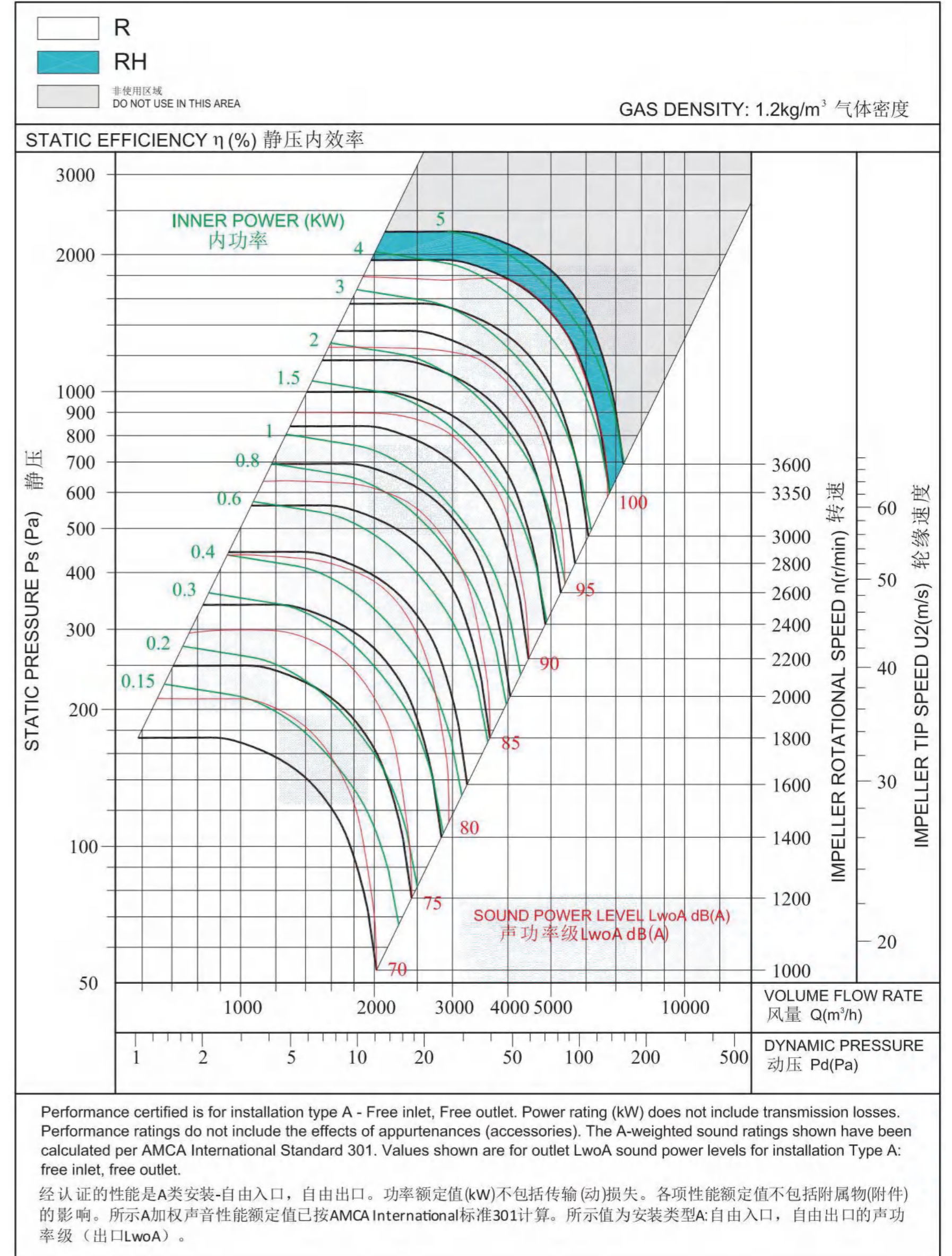
RLM-280



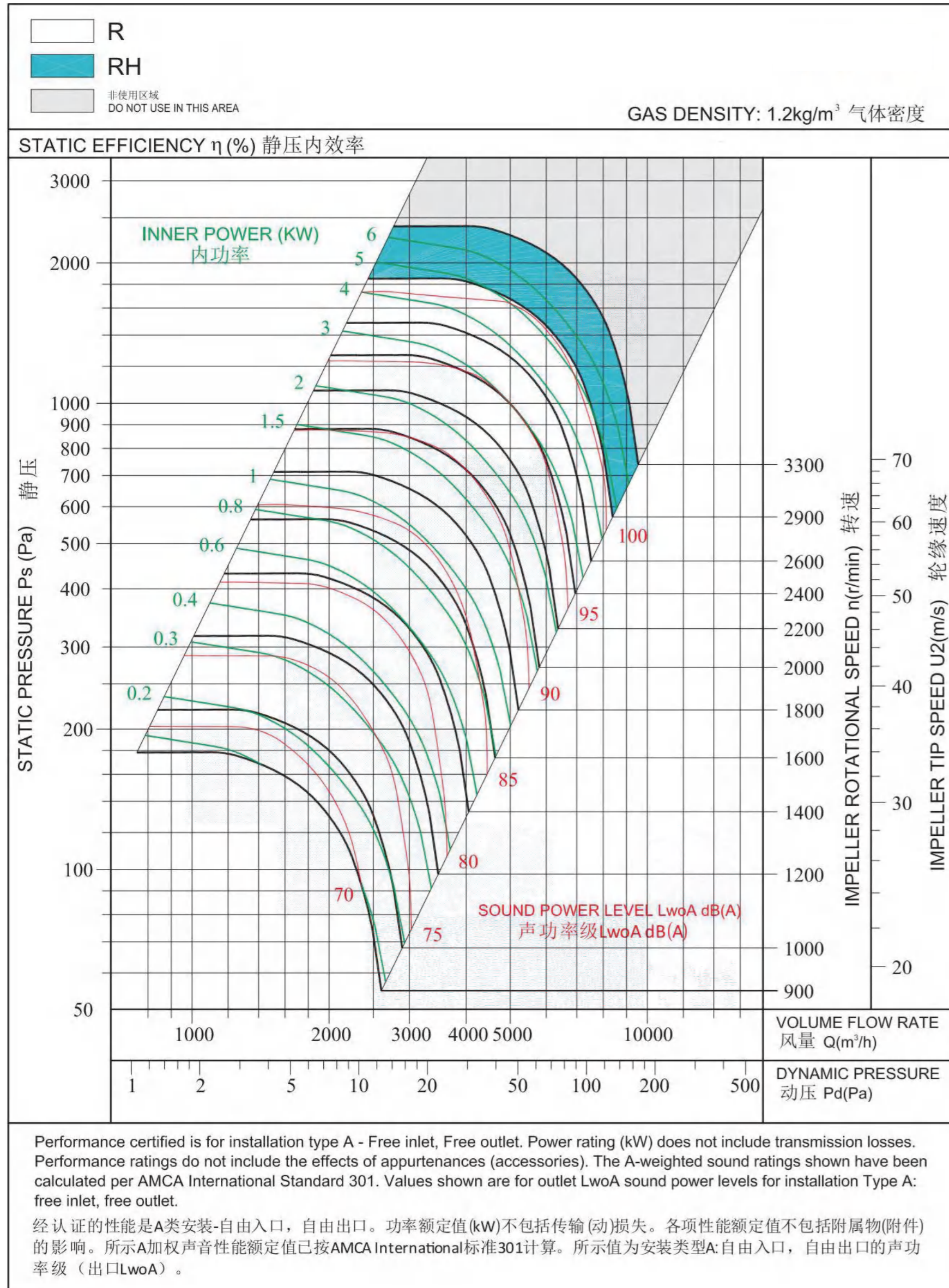
RLM-315



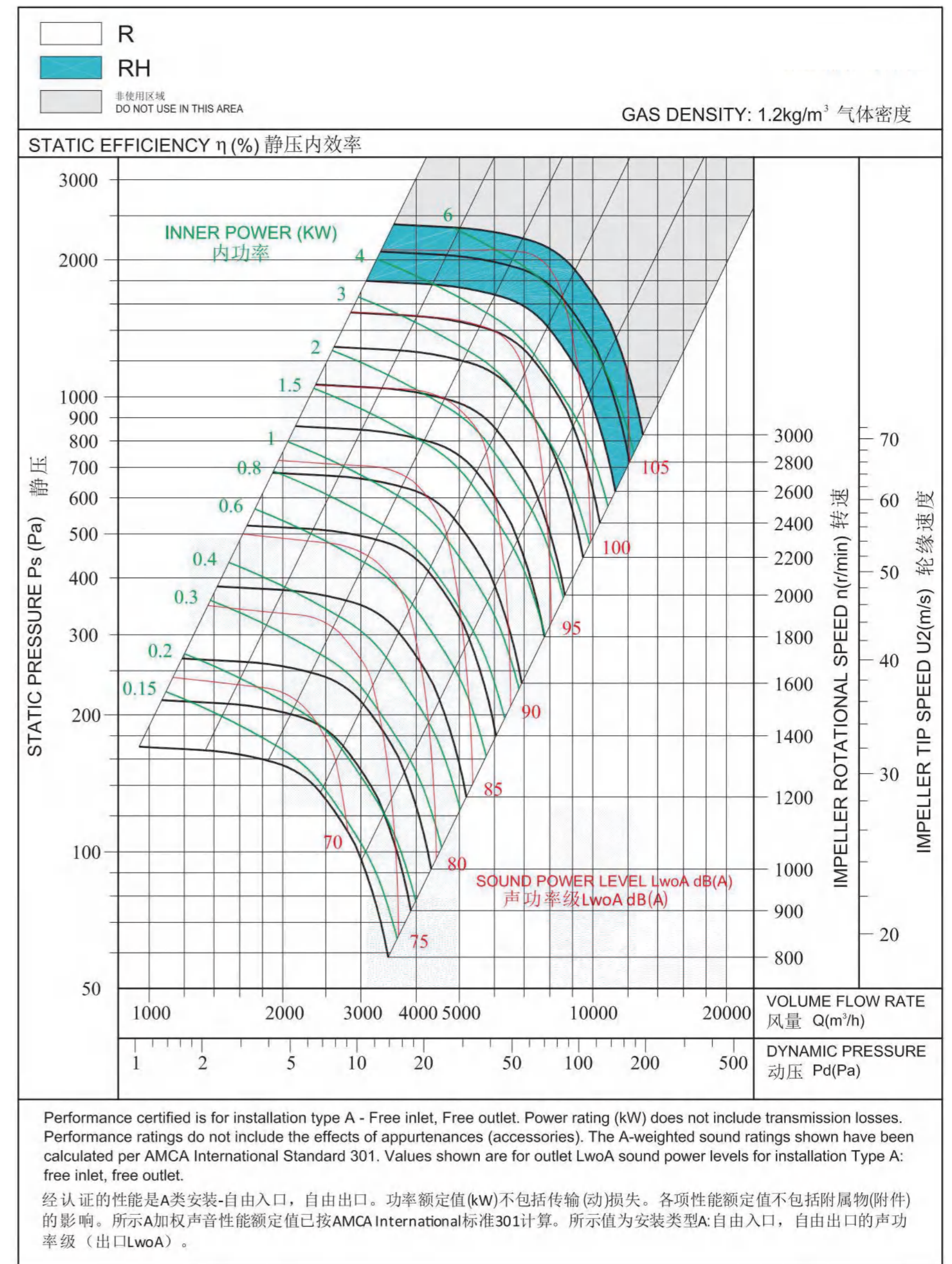
RLM-355



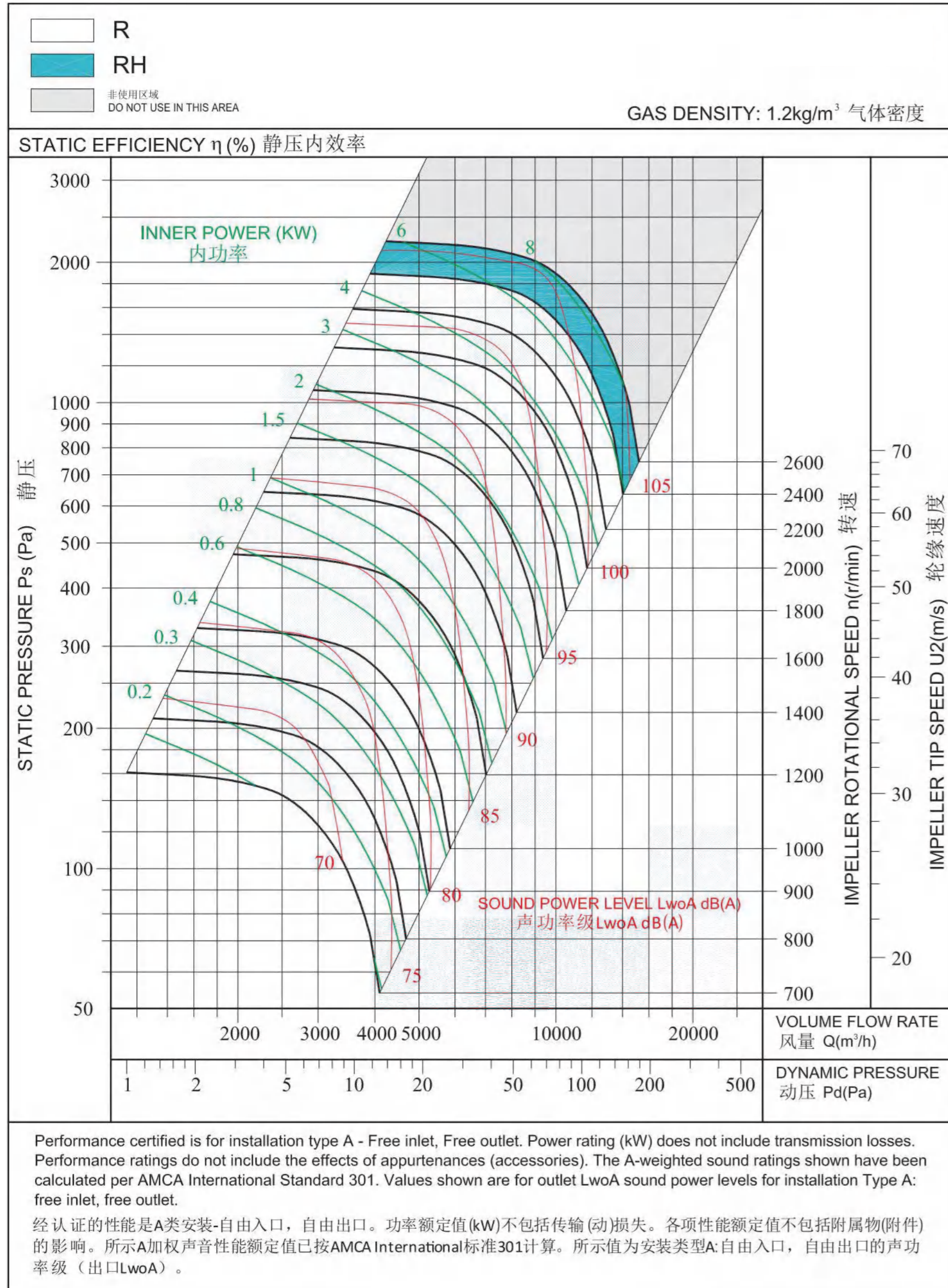
RLM-400



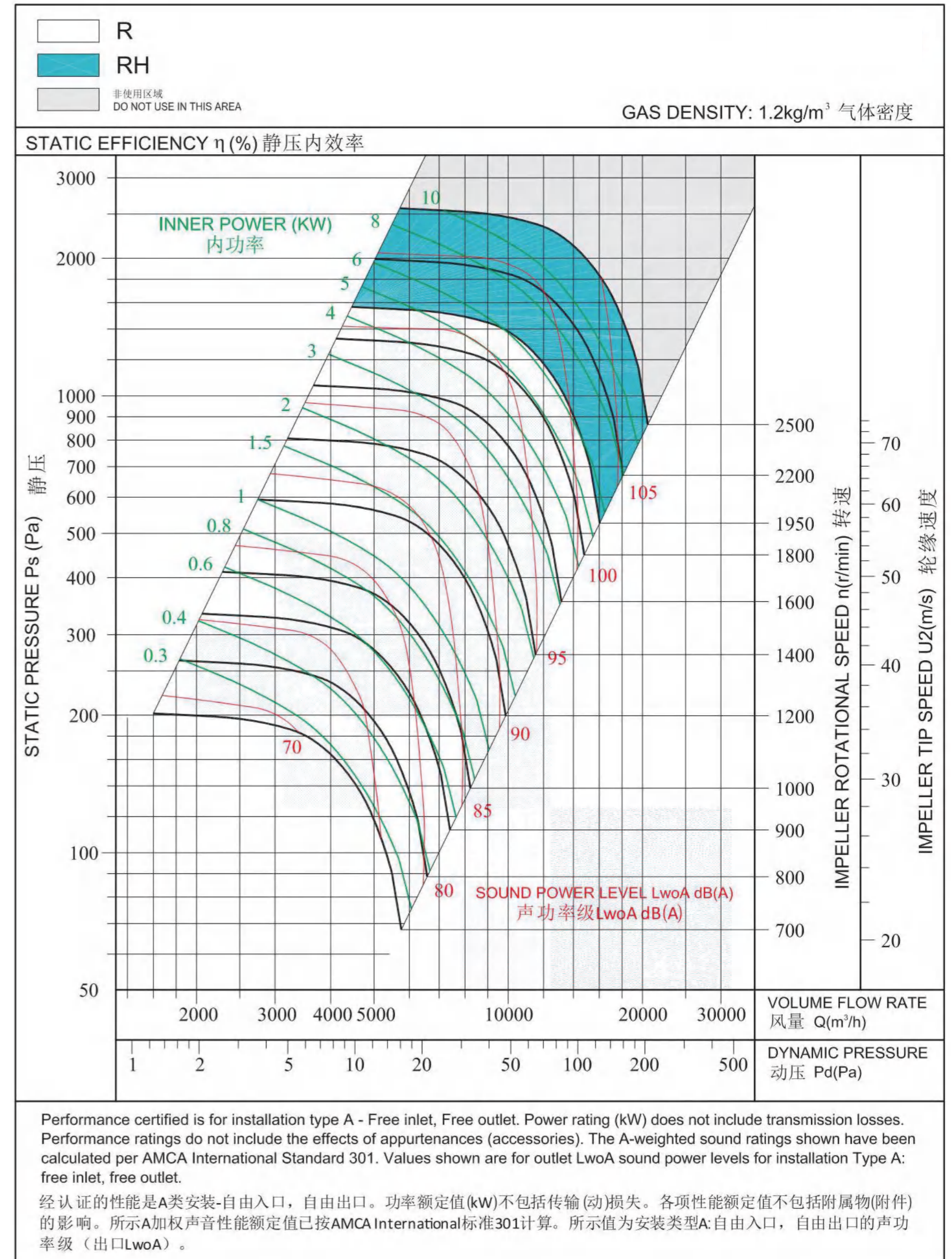
RLM-450



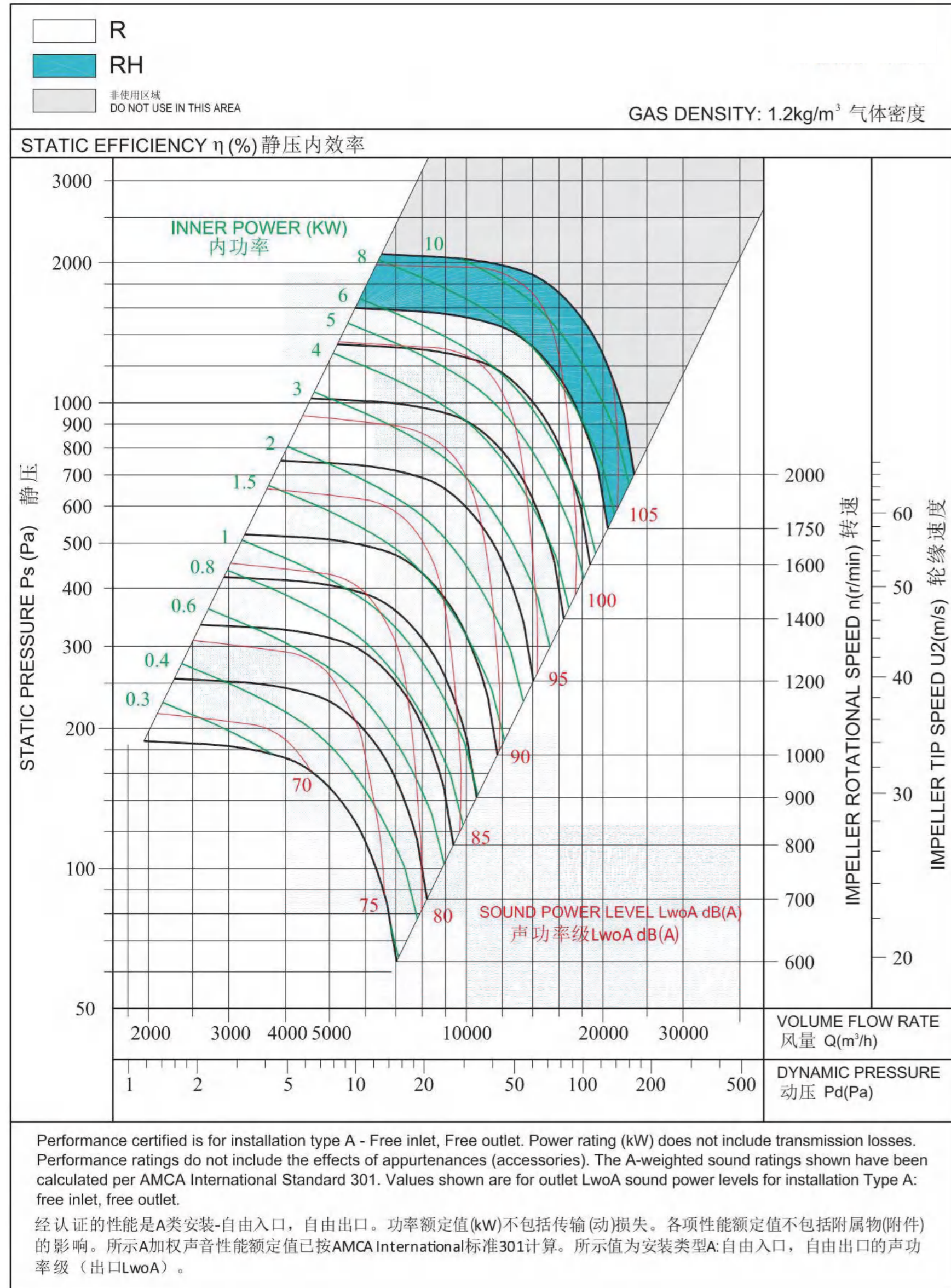
RLM-500



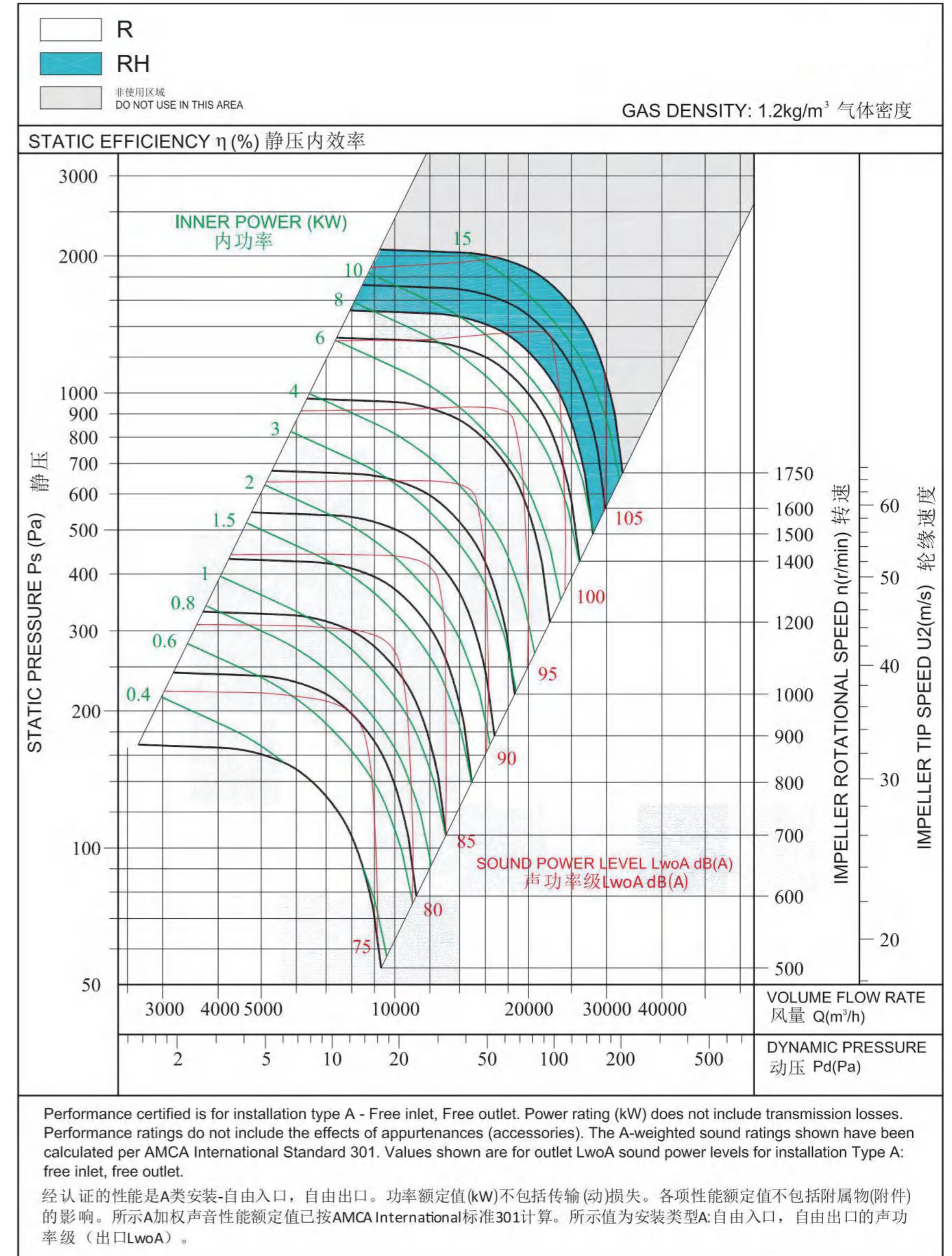
RLM-560



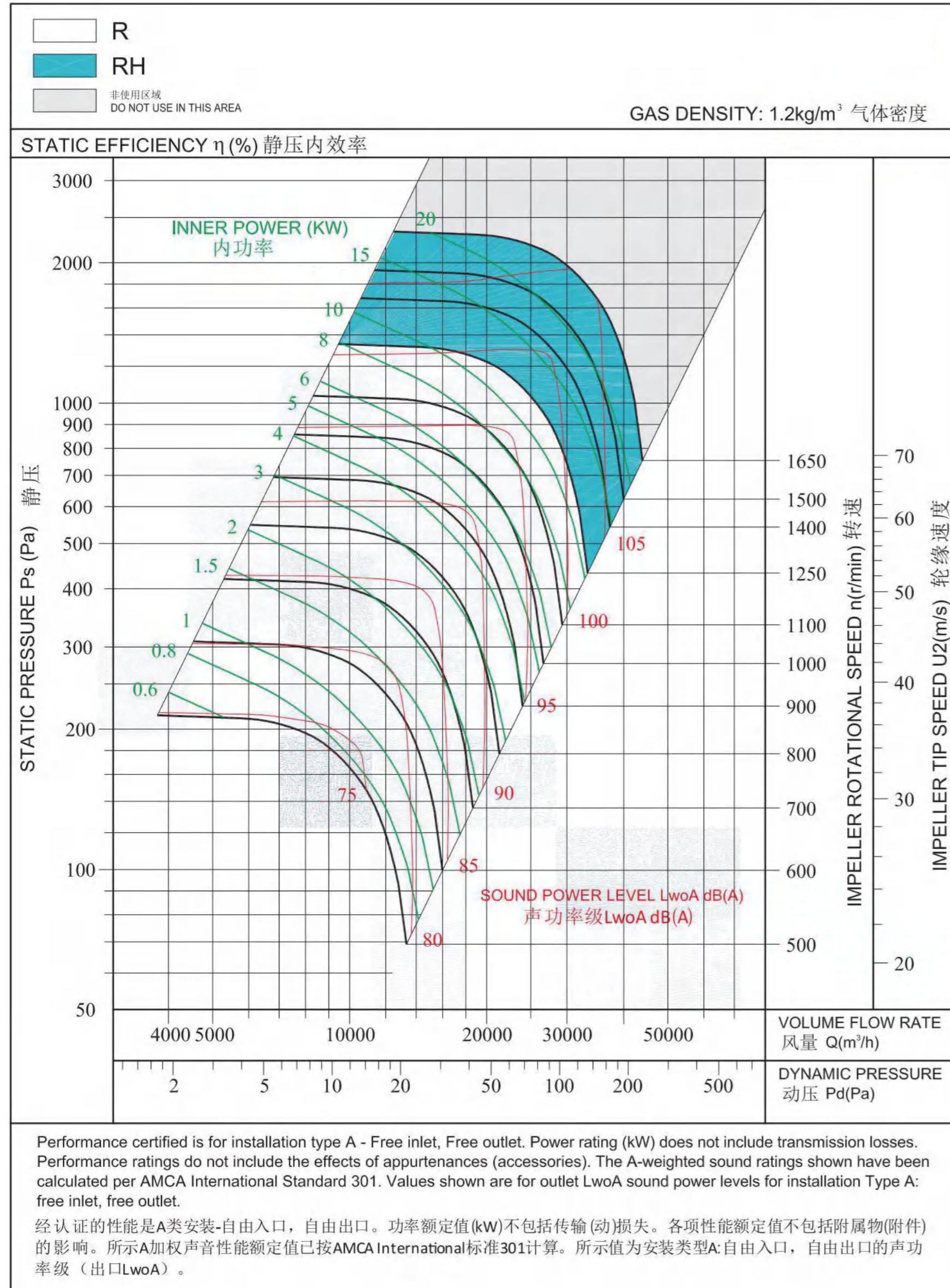
RLM-630



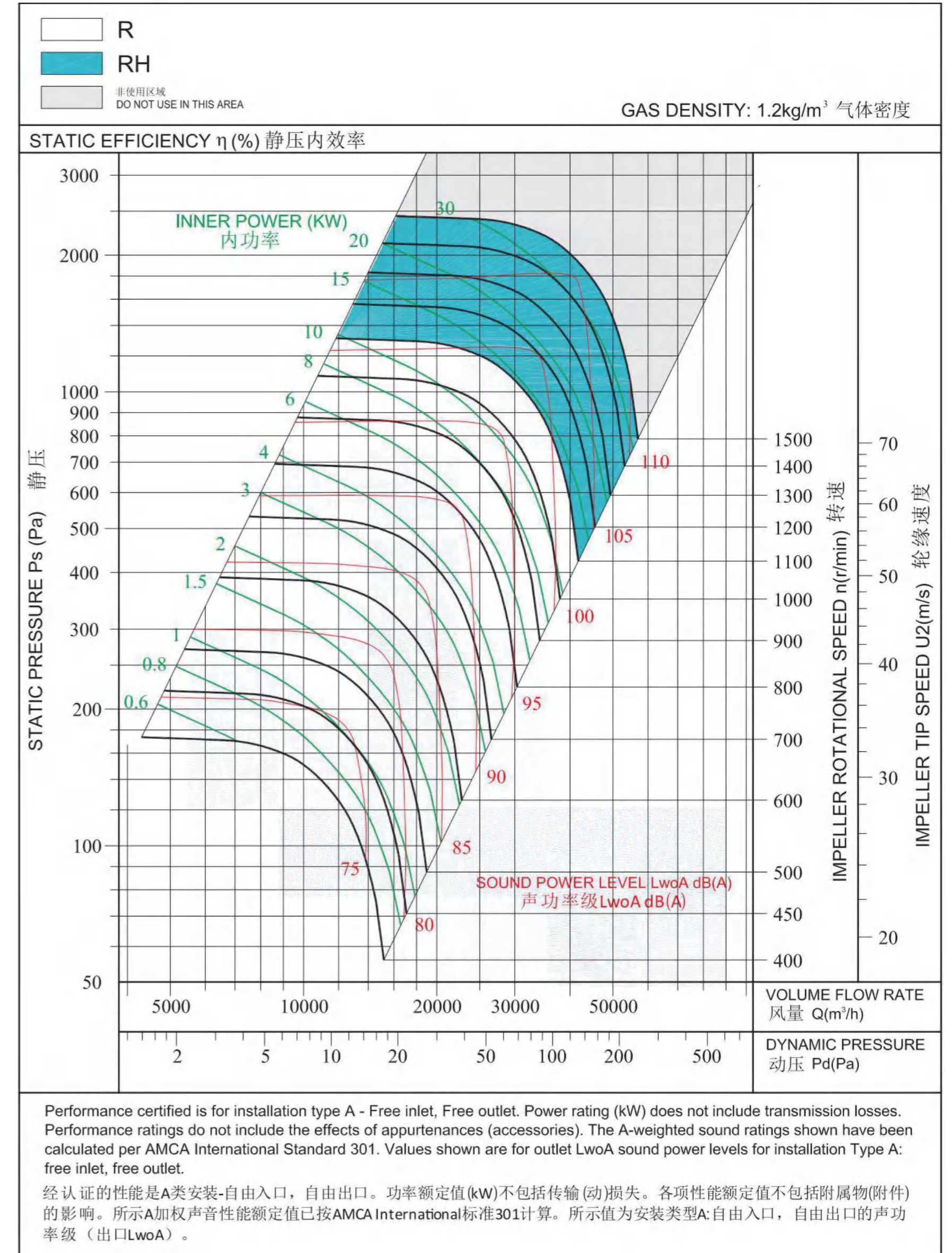
RLM-710



RLM-800



RLM-900



RLM-1000

